

RF Signal Processor for CD Players

Description

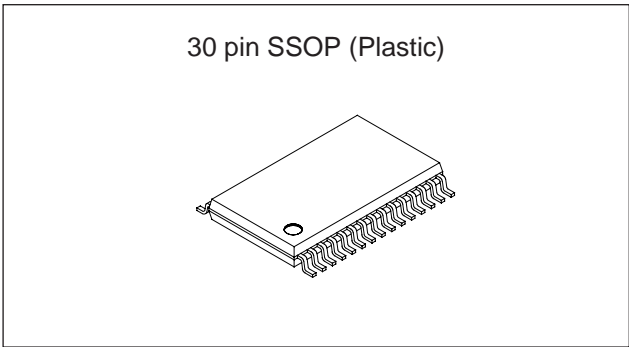
The CXA2581N is an RF signal processing IC for compact disc players.

Features

- Wide band RF signal processing
- RF system VCA circuit
- RF system equalizer (supports CAV mode)
- Supports pickups with built-in RF summing amplifier
- Low current consumption mode (EQ Pass mode)
- RW/ROM switching mode
- Center error amplifier
- Output DC level shift circuit
- TE balance adjustment function

Functions

- RF AC summing amplifier, equalizer, VCA
- RF DC summing amplifier
- Focus error amplifier
- Tracking error amplifier
- Center error amplifier
- Automatic power control
- VC buffer amplifier (analog block, digital block)



Absolute Maximum Ratings

- Supply voltage V_{CC} 7 V
- Storage temperature T_{stg} -65 to +150 °C
- Allowable power dissipation P_D 620 mW

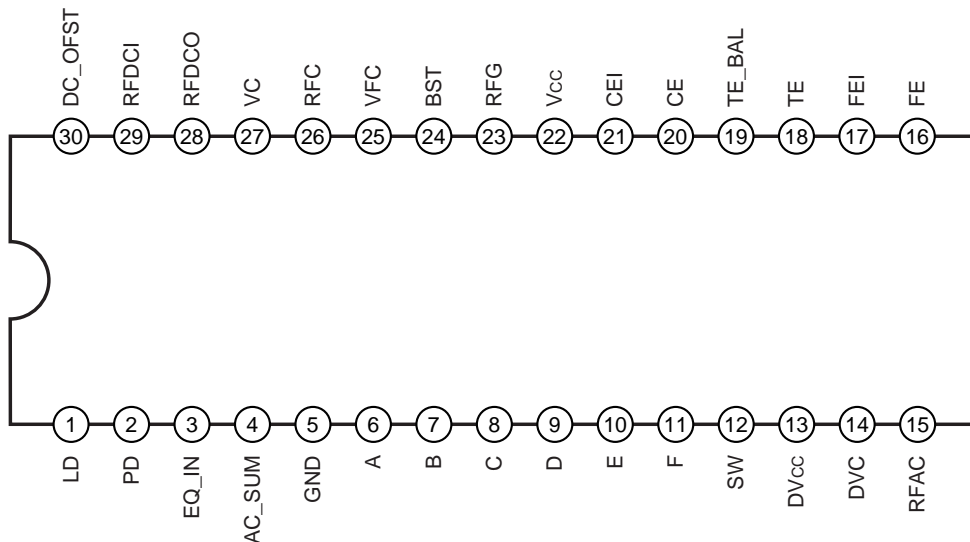
Operating Conditions

- Operating supply voltage range $V_{CC} - GND$ 3.4 to 5.5 V
($0V \leq V_{CC} - DV_{CC} < 2V$)

Note) Care should be taken for the operating voltage. See page 18.

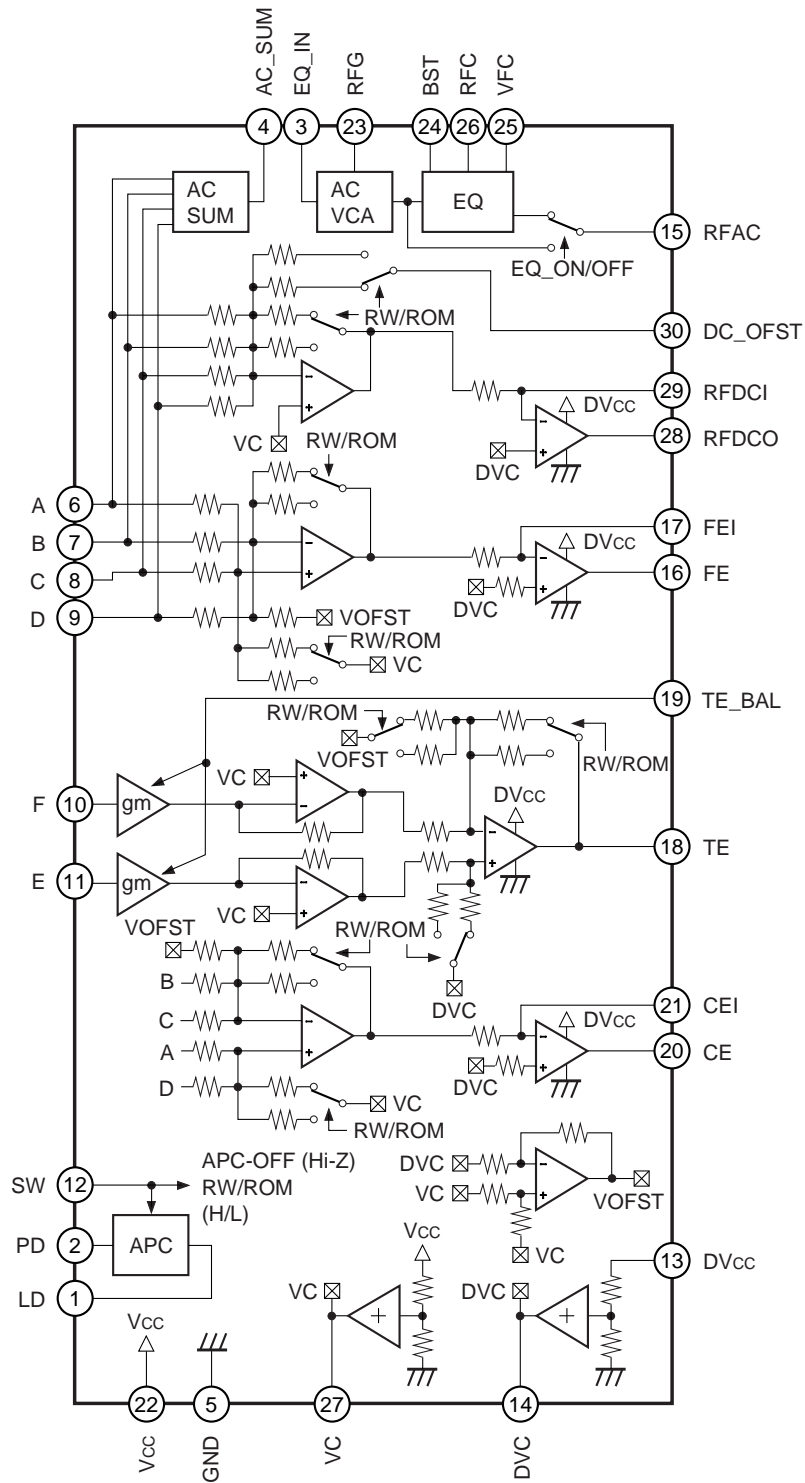
- Operating temperature T_{opr} -30 to +85 °C

Pin Configuration



Sony reserves the right to change products and specifications without prior notice. This information does not convey any license by any implication or otherwise under any patents or other right. Application circuits shown, if any, are typical examples illustrating the operation of the devices. Sony cannot assume responsibility for any problems arising out of the use of these circuits.

Block Diagram



Pin Description

Pin No.	Symbol	I/O	Description
1	LD	O	APC amplifier output.
2	PD	I	APC amplifier input.
3	EQ_IN	I	RFAC system VCA block and EQ block input.
4	AC_SUM	O	RFAC system RF SUM output.
5	GND	I	GND.
6	A	I	A signal input.
7	B	I	B signal input.
8	C	I	C signal input.
9	D	I	D signal input.
10	E	I	E signal input.
11	F	I	F signal input.
12	SW	I	Mode switching signal input.
13	DVcc	I	DVcc.
14	DVC	O	DVC output.
15	RFAC	O	RFAC signal output.
16	FE	O	Focus error signal output.
17	FEI	I	FE amplifier virtual ground.
18	TE	O	Tracking error signal output.
19	TE_BAL	I	TE balance adjustment.
20	CE	O	Center error signal output.
21	CEI	I	CE amplifier virtual ground.
22	Vcc	I	Vcc.
23	RFG	I	RFAC system VCA block low frequency gain adjustment.
24	BST	I	EQ boost level adjustment.
25	VFC	I	EQ cut-off frequency adjustment.
26	RFC	I	EQ cut-off frequency adjustment.
27	VC	O	VC voltage output.
28	RFDCO	O	RFDC signal output.
29	RFDCI	I	RFDC amplifier virtual ground.
30	DC_OFST	I	RFDC signal output offset adjustment.

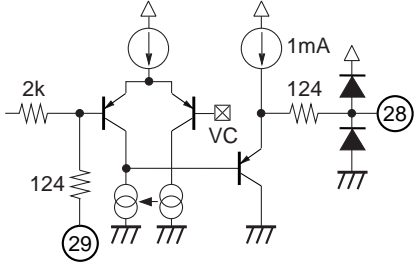
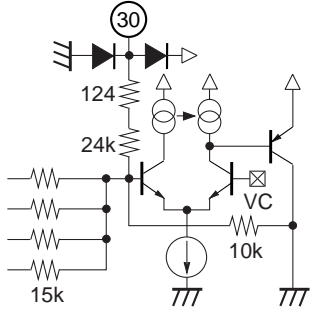
Pin Description

Pin No.	Symbol	I/O	Equivalent circuit	Description
1	LD	O		APC amplifier output.
2	PD	I		APC amplifier input.
3	EQ_IN	I		Equalizer circuit input.
4	AC_SUM	O		RFAC summing amplifier output.
5	GND	—	—	GND.

Pin No.	Symbol	I/O	Equivalent circuit	Description
6	A	I		RF summing amplifier and focus error amplifier input.
7	B	I		
8	C	I		
9	D	I		
10	E	I		Tracking error amplifier input.
11	F	I		
12	SW	I		CD-ROM/RW switching input. RW when connected to Vcc, ROM when connected to GND.
13	DVcc	—	—	Digital power supply.
14	DVC	O		$(DV_{cc} + GND)/2$ voltage output.

Pin No.	Symbol	I/O	Equivalent circuit	Description
15	RFAC	O		RFAC amplifier output.
16	FE	O		Focus error amplifier output.
17	FEI	I		Focus error amplifier gain adjustment. The gain is adjusted by the external resistance value connected between this pin and Pin 16.
18	TE	O		Tracking error amplifier output.
19	TE_BAL	I		Tracking error E and F gain balance adjustment.
20	CE	O		Center error amplifier output.
21	CEI	I		Center error amplifier gain adjustment. The gain is adjusted by the external resistance value connected between this pin and Pin 20.

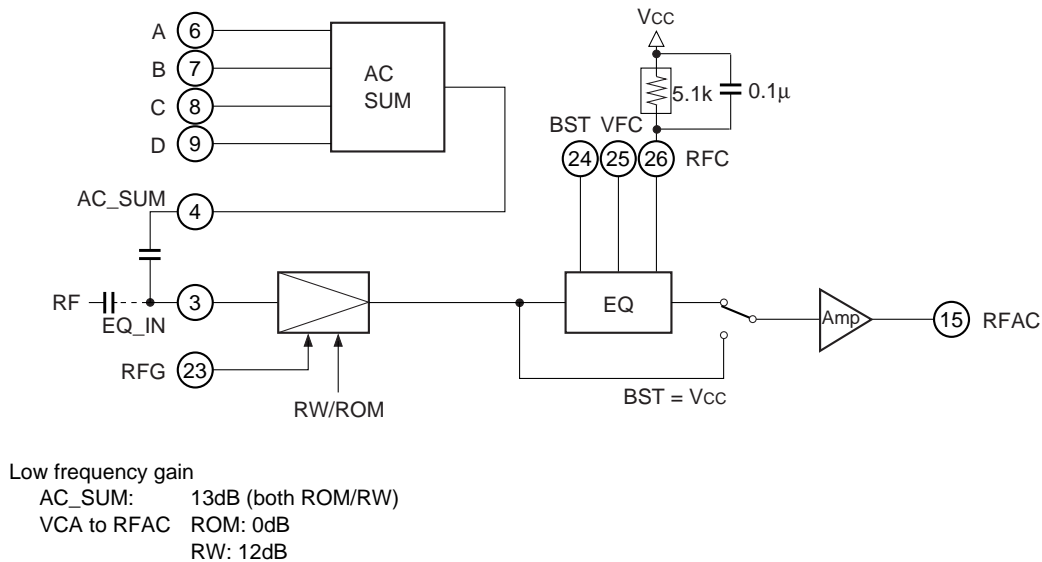
Pin No.	Symbol	I/O	Equivalent circuit	Description
22	V _{cc}	—	—	V _{cc} . (AV _{cc})
23	RFG	I		Sets the RFAC low frequency gain.
24	BST	I		Input for adjusting the equalizer circuit boost level.
25	VFC	I		Input for adjusting the equalizer circuit boost frequency with the control voltage.
26	RFC	I		Input for adjusting the equalizer circuit boost frequency with external resistance.
27	VC	O		(V _{cc} + GND)/2 voltage output.

Pin No.	Symbol	I/O	Equivalent circuit	Description
28	RFDC	O		RFDC amplifier output.
29	RFDCI	I		RFDC amplifier gain adjustment. The gain is adjusted by the external resistance value connected between this pin and Pin 28.
30	DC_OFST	I		RFDC amplifier offset control.

Description of Functions

• **RFAC**

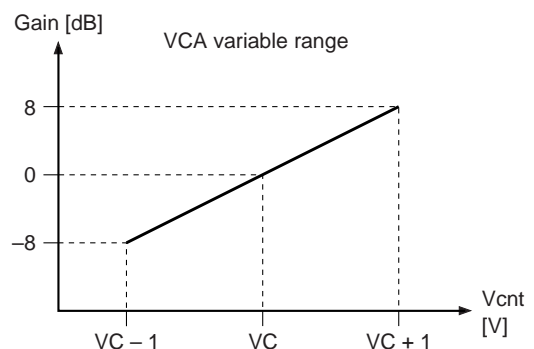
The RF signal input by connecting capacitance to the EQ_IN pin is equalized, arithmetically amplified and then output from the RFAC pin.



The EQ can be bypassed by connecting the BST control pin (Pin 24) to Vcc. In this case only the EQ block enters sleep mode and low power consumption mode (slim mode) is activated. The low frequency gain is the same value as for EQ ON mode.

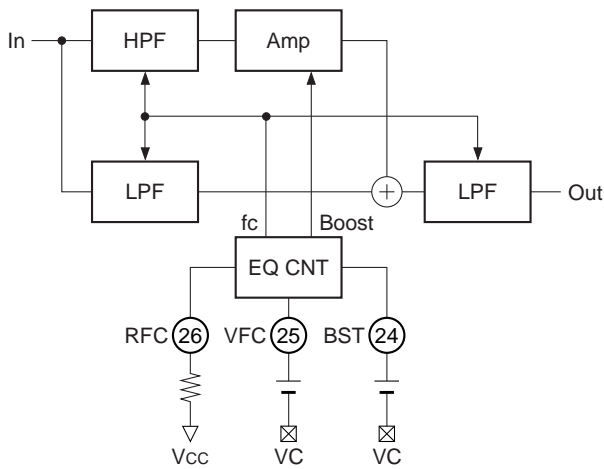
If RF (summing signal) is present at the pickup output pin, input the addition output signal to EQ_IN (Pin 3) coupled by capacitance. When using a pickup without a summing output function, perform addition with the AC SUM block and then input the signal to EQ_IN (Pin 3) coupled by capacitance. RW/ROM switching is done by the VCA block, so either input method can be used without problem. The RW gain is 12dB higher than the ROM gain.

The VCA low frequency gain can be adjusted by the RFG (Pin 23) voltage. The control voltage vs. low frequency gain characteristics are shown in the graph to the right.



The RFAC pin (Pin 15) is an NPN transistor emitter follower output. The maximum drive current is approximately 2mA. If the load capacitance distorts the output waveform, connect resistance between Pin 15 and GND to increase the drive current.

• EQ



The diagram to the left shows the EQ internal block diagram.

The EQ consists of a combination of HPF and LPF. The HPF and LPF transmittance is the Bessel function. The boost gain can be adjusted by adjusting the HPF gain.

The boost frequency is adjusted by the RFC external resistance value and the VFC control voltage value.

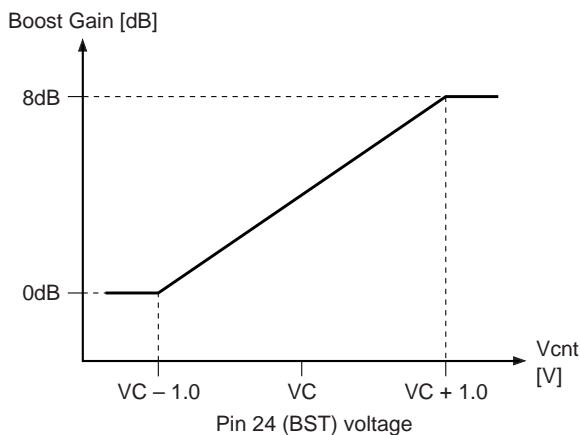
RFC resistance value: The cut-off frequency f_o of each filter is adjusted by the Pin 26 external resistance value.

The VFC voltage can be varied using this f_o as the reference.

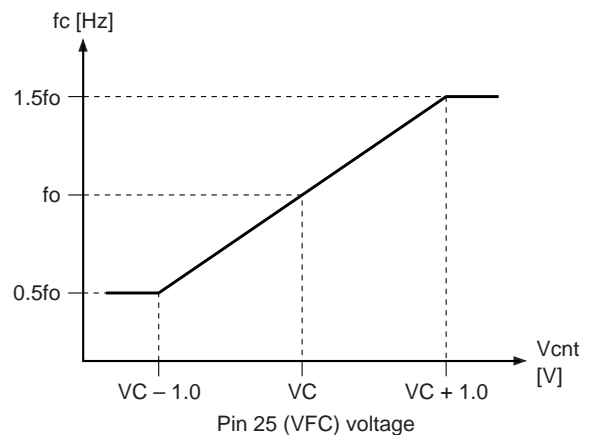
VFC voltage: f_o can be changed by the voltage applied to Pin 25.

The boost gain can be adjusted by the BST pin control voltage.

The control characteristics are shown in the graph below.

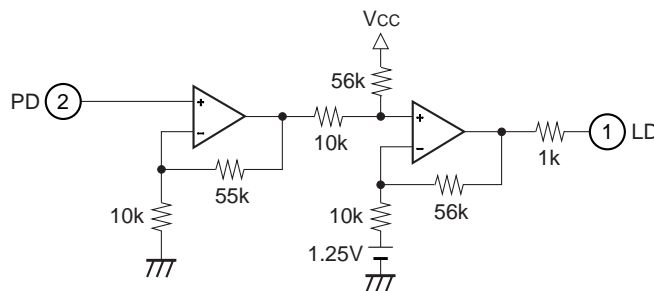


The cut-off frequency control characteristics are shown in the graph below.



• APC (Automatic Power Control)

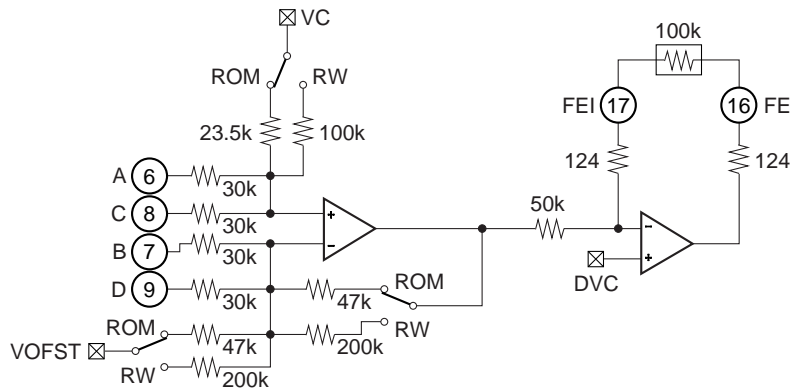
When the laser diode is driven by a constant current, the optical power output has extremely large negative temperature characteristics. Therefore, the current must be controlled to maintain the monitor photo diode output at a constant level. This control is performed by the APC function.



• Focus Error

The signals input to the A and C pins and the B and D pins are arithmetically amplified and the focus error signal is output.

This circuit has RW/ROM switching and offset addition functions.



$$FE = \text{Gain} \{ (B + D) - (A + C) \}$$

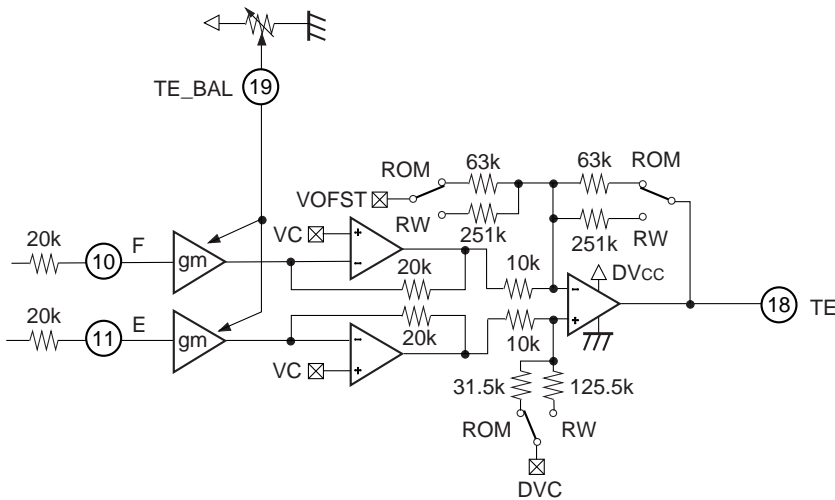
Low frequency gain ROM: 16dB
RW: 28dB

Cut-off frequency f_c (typ.) ROM: 300kHz
RW: 300kHz

• Tracking Error

The signals input to the E and F pins are arithmetically amplified and the tracking error signal is output.

This circuit has RW/ROM switching and offset addition functions.

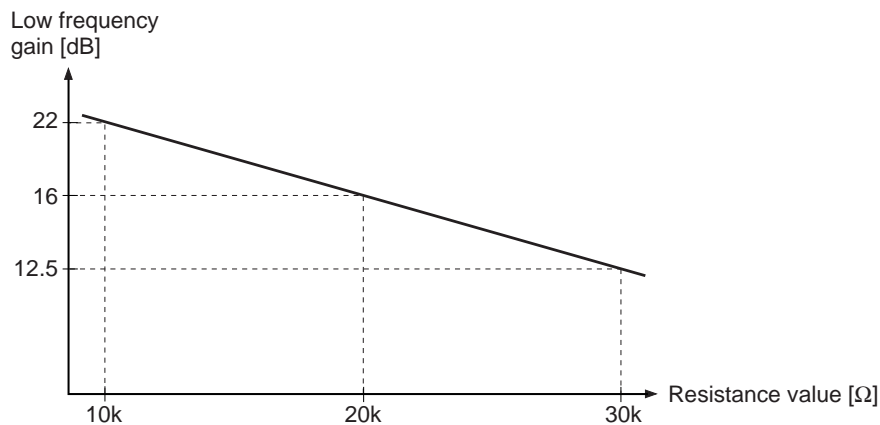


$$TE = \text{Gain} (F - E)$$

Low frequency gain ROM: 16dB
RW: 28dB

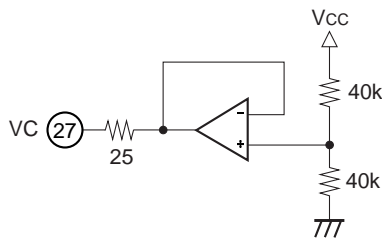
TE balance adjustment
 $F - E$ low frequency gain = $\pm 6\text{dB}$

External resistance value vs. Low frequency gain



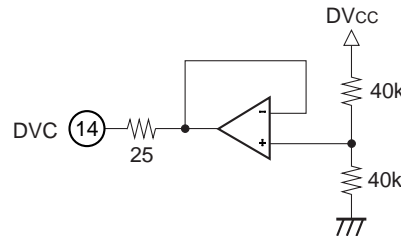
• VC Buffer

This outputs the VC ((1/2) Vcc) voltage.
 The maximum output current is approximately ±3mA.
 Use this voltage as the analog block VC voltage.



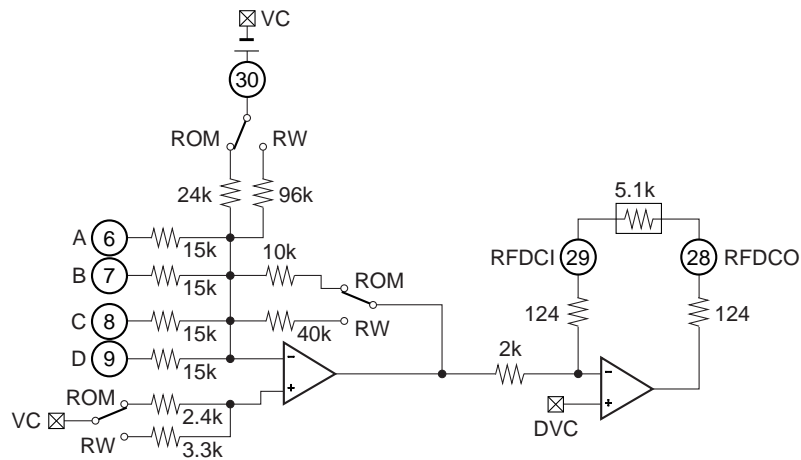
• DVC Buffer

This outputs the 1/2 DVcc voltage.
 The maximum output current is approximately ±3mA.
 Use this voltage as the digital block VC voltage.
 The output DC voltage of each block is level shifted using the DVC voltage as the reference.



• RFDC

The signals input to the A, B, C and D pins are added, amplified and the RFDC signal is output. RW/ROM switching and low frequency gain adjustment are possible.



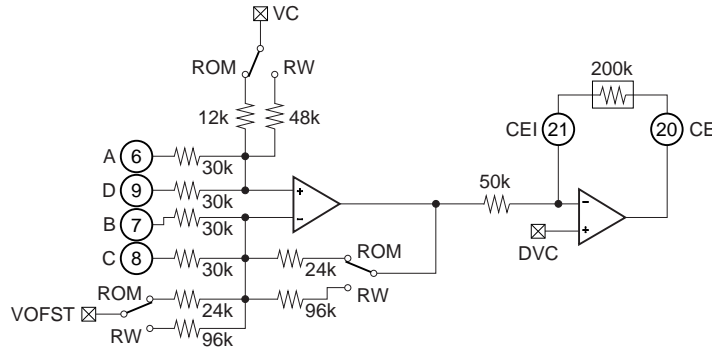
RFDC = Gain (A + B + C + D)
 Low frequency gain ROM: 17.5dB
 RW: 29.5dB
 fc (Typ) ROM: 20MHz
 RW: 5MHz

The gain can be adjusted by the external resistance connected between Pins 28 and 29.
 The output voltage offset can be adjusted by controlling the Pin 30 voltage.

• Center Error

The signals input to the A and D pins and the B and C pins are arithmetically amplified and the center error signal is output.

RW/ROM switching, low frequency gain adjustment and offset adjustment are possible.



The (B + C) – (A + D) signal is arithmetically amplified.
 Low frequency gain ROM: 16dB
 RW: 28dB

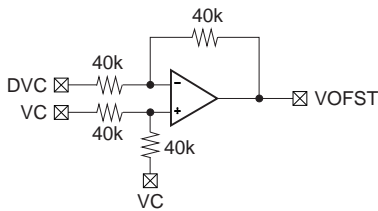
Cut-off frequency f_c (typ.)
 ROM: 200kHz
 RW: 200kHz

• Output Offset Shift

The RFDC, FE, TE and CE output DC voltages are level shifted to the digital VC voltage (DVC).

The reference voltage of this IC is the VC voltage, and only the output reference voltage changes.

The maximum output voltage of each output signal should be kept to the digital V_{CC} voltage (DV_{CC}) or less in order to protect the DSP_IC.



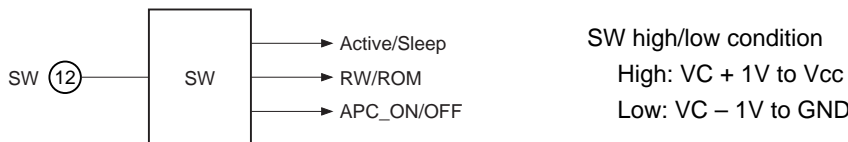
The VC and DVC voltages are arithmetically amplified and output as the VOFST voltage.

The VOFST voltage serves as the level shift reference voltage, and is distributed to each block.

• SW

This controls the laser (APC) on/off, active/sleep mode, and RW/ROM mode switching.

Switching is controlled by the voltage applied to the SW pin.



The VC buffer is always in active mode even if it enters sleep mode.

In the function block, MODE_SW is always set to active mode.

Control voltage \ Item	APC	Active/Sleep	RW/ROM
V_{CC}	ON	Active	RW
VC or Hi-Z	OFF	Sleep	—
GND	ON	Active	ROM

($V_{CC} = 1.7V$, $V_{EE} = -1.7V$, $DV_{CC} = 1.7V$, $DV_{EE} = -1.7V$)

Electrical Characteristics

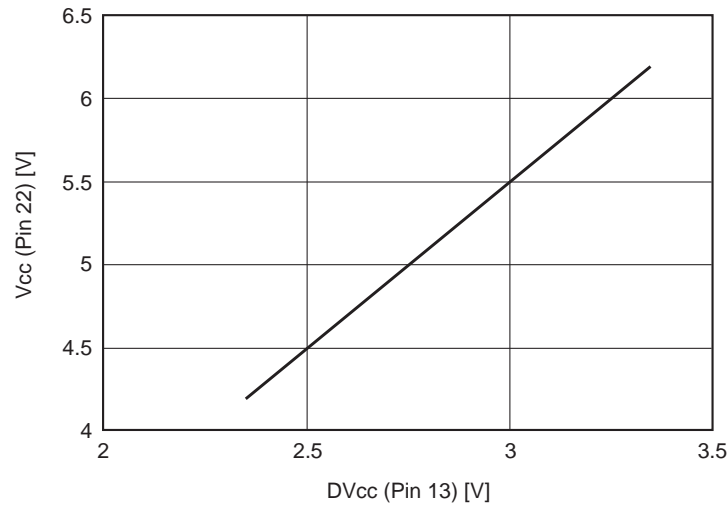
Measurement No.	Function	Measurement item	Symbol	Switch conditions																Bias conditions							Measurement pin	Measurement conditions	Min.	Typ.	Max.	Unit						
				S1	S2	S3	S4	S5	S6	S7	S8	S9	S10	S11	S12	V1 amplitude	V1 frequency	E1	E2	E3	E4	E5	E6	E7														
1		Current consumption (Active, EQ On)	I _{cc_Aeqon}																					0V	0V	0V	0V	0V	0V	0V	22	Pin current	30	50	70	mA		
2		Current consumption (Active, EQ Off)	I _{cc_Aeqoff}																								1.7V				22	Pin current	15	30	45	mA		
3		Current consumption (DYCC)	I _{cc_DVcc}																								0V				13	Pin current	0.2	0.5	0.8	mA		
4		Current consumption (Sleep)	I _{cc_Slp}									H-Z																			22	Pin current	3	5	8	mA		
5		SUM offset voltage	ACSUM_Ofst																					▶							4	Pin voltage	-1.2	-0.7	-0.2	V		
6	RFAC SUM	SUM low frequency gain	Gsum					O	O	O	O													0.1Vp-p	100kHz	70mV					4	20 log (V _{out} /V _{in})	11	13	15	dB		
7		SUM frequency response	Fsum					O	O	O	O													0.1Vp-p	10MHz	70mV					4	20 log (V _{out} /V _{in}) - Gsum	-2.5	-0.5	0.5	dB		
8		SUM maximum output voltage H	Vsum_H					O	O	O	O															0.4V					4	Pin voltage - ACSUM_Ofst	1.4	1.6	1.7	V		
9		SUM maximum output voltage L	Vsum_L					O	O	O	O															-0.4V					4	Pin voltage - ACSUM_Ofst	-0.5	-0.3	-0.1	V		
10			Offset voltage ROM	AC_OfstROM																							0V					15	Pin voltage	-0.8	-0.3	0.2	V	
11		Offset voltage RW	AC_OfstRW									O															▶				15	Pin voltage	-0.8	-0.3	0.2	V		
12		Low frequency gain ROM_min	Gac_ROM1																					1.4Vp-p	100kHz	-1.0V					15	20 log (V _{out} /V _{in}) - Gac_ROM2	-11	-8	-5	dB		
13		Low frequency gain ROM_cnt	Gac_ROM2																					0.8Vp-p	100kHz	0V					15	20 log (V _{out} /V _{in})	-3	0	3	dB		
14		Low frequency gain ROM_max	Gac_ROM3																					0.3Vp-p	100kHz	1.0V					15	20 log (V _{out} /V _{in}) - Gac_ROM2	5	8	11	dB		
15	RFAC EQ	Low frequency gain RW_min	Gac_RW1									O												0.35Vp-p	50kHz	-1.0V					15	20 log (V _{out} /V _{in}) - Gac_ROM2 - Gac_ROM2	-11	-8	-5	dB		
16		Low frequency gain RW_cnt	Gac_RW2										O											0.2Vp-p	50kHz	0V					15	20 log (V _{out} /V _{in}) - Gac_ROM2	9	12	15	dB		
17		Low frequency gain RW_max	Gac_RW3											O										75mVp-p	50kHz	1.0V					15	20 log (V _{out} /V _{in}) - Gac_ROM2 - Gac_ROM2	5	8	11	dB		
18			Low frequency gain EQ_off	Gac_EQoff																					0.8Vp-p	100kHz	0V			1.7V	▶	15	20 log (V _{out} /V _{in})	-2	0	2	dB	
19			Frequency response Min_L	Fac_MinL																					0.3Vp-p	10MHz				0V	-1.0V	15	20 log (V _{out} /V _{in}) - Gac_ROM2	2	5	8	dB	
20			Frequency response Min_H	Fac_MinH																					0.3Vp-p	30MHz					▶	1.0V	15	20 log (V _{out} /V _{in}) - Gac_ROM2	2	5	8	dB
21			Frequency response EQ_OFF	Fac_EQoff																					0.3Vp-p	20MHz					▶	1.7V	15	20 log (V _{out} /V _{in}) - EQoff	-0.5	2.5	5.5	dB
22			Maximum output voltage H	Vac_H																							1.2V					15	Pin voltage - AC_OfstROM	0.8	1	1.2	V	
23		Maximum output voltage L	Vac_L																							-1.2V					15	Pin voltage - AC_OfstROM	-1.1	-0.9	-0.7	V		

Measurement No.	Function	Measurement item	Symbol	Switch conditions												Bias conditions							Measurement pin	Measurement conditions	Min.	Typ.	Max.	Unit			
				S1	S2	S3	S4	S5	S6	S7	S8	S9	S10	S11	S12	V1 amplitude	V1 frequency	E1	E2	E3	E4	E5							E6	E7	
24	RFD	Offset voltage ROM	DC_OfsROM															0V	0V	0V	0V	0V	0V	0V	28	Pin voltage	-150	0	150	mV	
25		Offset voltage RW	DC_OfsRW																							28	Pin voltage	-150	0	150	mV
26		Low frequency gain ROM	Gdc_ROM																							28	20 log (Vout/Vin)	14.5	17.5	20.5	dB
27		Low frequency gain RW	Gdc_RW																							28	20 log (Vout/Vin) - Gdc_ROM	10	12	14	dB
28		Frequency response ROM	Fdc_ROM																							28	20 log (Vout/Vin) - Gdc_ROM	-3.5	-0.5	0.5	dB
29		Frequency response RW	Fdc_RW																							28	20 log (Vout/Vin) - Gdc_ROM	-4.5	-1.5	-0.5	dB
30		Maximum output voltage H	Vdc_H																0.3V							28	Pin voltage	0.6	0.8	1	V
31		Maximum output voltage L	Vdc_L																-0.3V							28	Pin voltage	-1.7	-1.5	-1.3	V
32	Offset voltage 1	DC_Ofs1																0V							28	Pin voltage	-0.7	-0.6	-0.5	V	
33	FF	Offset voltage ROM	FE_OfsROM																						16	Pin voltage	-150	0	150	mV	
34		Offset voltage RW	FE_OfsRW																						16	Pin voltage	-150	0	150	mV	
35		Low frequency gain ROM1	Gfe_ROM1																						16	20 log (Vout/Vin)	12.5	15.5	18.5	dB	
36		Low frequency gain ROM2	Gfe_ROM2																						16	20 log (Vout/Vin)	12.5	15.5	18.5	dB	
37		Low frequency gain RW1	Gfe_RW1																						16	20 log (Vout/Vin) - Gfe_ROM1	10	12	14	dB	
38		Low frequency gain RW2	Gfe_RW2																						16	20 log (Vout/Vin) - Gfe_ROM2	10	12	14	dB	
39		Frequency response ROM1	Ffe_ROM1																						16	20 log (Vout/Vin) - Gfe_ROM1	-5.5	-2.5	0.5	dB	
40		Frequency response ROM2	Ffe_ROM2																						16	20 log (Vout/Vin) - Gfe_ROM2	-5.5	-2.5	0.5	dB	
41	Frequency response RW1	Ffe_RW1																						16	20 log (Vout/Vin) - Gfe_ROM1	-5.5	-2.5	0.5	dB		
42	Frequency response RW2	Ffe_RW2																						16	20 log (Vout/Vin) - Gfe_ROM2	-5.5	-2.5	0.5	dB		
43	Maximum output voltage H	Vfe_H																						16	Pin voltage	1.3	1.5	1.7	V		
44	Maximum output voltage L	Vfe_L																						16	Pin voltage	-1.7	-1.5	-1.3	V		

Measurement No.	Function	Measurement item	Symbol	Switch conditions												Bias conditions							Measurement pin	Measurement conditions	Min.	Typ.	Max.	Unit		
				S1	S2	S3	S4	S5	S6	S7	S8	S9	S10	S11	S12	V1 amplitude	V1 frequency	E1	E2	E3	E4	E5							E6	E7
45	TF	Offset voltage ROM	TE_0fsROM															0V	0V	0V	0V	0V	0V	18	Pin voltage	-200	0	200	mV	
46		Offset voltage RW	TE_0fsRW																						18	Pin voltage	-500	0	500	mV
47		Low frequency gain ROM1	Gte_ROM1																						18	20log (Vout/Vin)	13	16	19	dB
48		Low frequency gain ROM2	Gte_ROM2																						18	20log (Vout/Vin)	13	16	19	dB
49		Low frequency gain RW1	Gte_RW1																						18	20log (Vout/Vin) - Gte_ROM1	10	12	14	dB
50		Low frequency gain RW2	Gte_RW2																						18	20log (Vout/Vin) - Gte_ROM2	10	12	14	dB
51		Frequency response ROM1	Fie_ROM1																						18	20log (Vout/Vin) - Gte_ROM1	-3.2	-1.2	0.8	dB
52		Frequency response ROM2	Fie_ROM2																						18	20log (Vout/Vin) - Gte_ROM2	-3.2	-1.2	0.8	dB
53		Frequency response RW1	Fie_RW1																						18	20log (Vout/Vin) - Gte_RW1 - Gte_ROM1	-3.5	-1.5	0.5	dB
54		Frequency response RW2	Fie_RW2																						18	20log (Vout/Vin) - Gte_RW2 - Gte_ROM2	-3.5	-1.5	0.5	dB
55		Balance gain 1	Gte1																						18	E, F gain difference	4	6	8	dB
56		Balance gain 2	Gte2																						18	E, F gain difference	-8	-6	-4	dB
57		Maximum output voltage H	Vie_H																						18	Pin voltage	1.3	1.5	1.7	V
58		Maximum output voltage L	Vie_L																						18	Pin voltage	-1.7	-1.5	-1.3	V
59	Offset voltage ROM	CE_0fsROM																0V						20	Pin voltage	-150	0	150	mV	
60	Offset voltage RW	CE_0fsRW																						20	Pin voltage	-150	0	150	mV	
61	Low frequency gain ROM1	Gce_ROM1																						20	20log (Vout/Vin)	12.5	15.5	18.5	dB	
62	Low frequency gain ROM2	Gce_ROM2																						20	20log (Vout/Vin)	12.5	15.5	18.5	dB	
63	Low frequency gain RW1	Gce_RW1																						20	20log (Vout/Vin) - Gce_ROM1	10	12	14	dB	
64	Low frequency gain RW2	Gce_RW2																						20	20log (Vout/Vin) - Gce_ROM2	10	12	14	dB	
65	Frequency response ROM1	Fce_ROM1																						20	20log (Vout/Vin) - Gce_ROM1	-3.8	-2.3	-0.8	dB	
66	Frequency response ROM2	Fce_ROM2																						20	20log (Vout/Vin) - Gce_ROM2	-3.8	-2.3	-0.8	dB	
67	Frequency response RW1	Fce_RW1																						20	20log (Vout/Vin) - Gce_RW1 - Gce_ROM1	-3.8	-2.3	-0.8	dB	
68	Frequency response RW2	Fce_RW2																						20	20log (Vout/Vin) - Gce_RW2 - Gce_ROM2	-3.8	-2.3	-0.8	dB	
69	Maximum output voltage H	Vce_H																						20	Pin voltage	1.15	1.35	1.55	V	
70	Maximum output voltage L	Vce_L																						20	Pin voltage	-1.7	-1.5	-1.3	V	

Measure- ment No.	Func- tion	Measurement item	Symbol	Switch conditions												Bias conditions							Measure- ment pin	Measurement conditions	Min.	Typ.	Max.	Unit		
				S1	S2	S3	S4	S5	S6	S7	S8	S9	S10	S11	S12	V1 amplitude	V1 frequency	E1	E2	E3	E4	E5							E6	E7
71	APC	Output voltage 1	Vapc1	O													0V	0V	0V	0V	0V	0V	0V	0V	1, 2	Input at which output voltage = 0V	0	150	300	mV
72		Output voltage 2	Vapc2	O														Vapc1+ 20mV							1	Pin voltage	0.5	0.75	1	V
73		Output voltage 3	Vapc3	O														Vapc1- 20mV							1	Pin voltage	-1	-0.75	-0.5	V
74		APC OFF voltage	Vapc_off	O									Hi-Z					0V							1	Pin voltage	1.4	1.6	1.7	V
75		Maximum output current	Iapc_max	O	O																				1	Pin voltage	-0.55	-0.15	0.25	V
76	AVC	Output voltage	Vavc																					27	Pin voltage	-100	0	100	mV	
77	DVC	Output voltage	Vdvc																					14	Pin voltage	-100	0	100	mV	

Notes on Supply Voltage

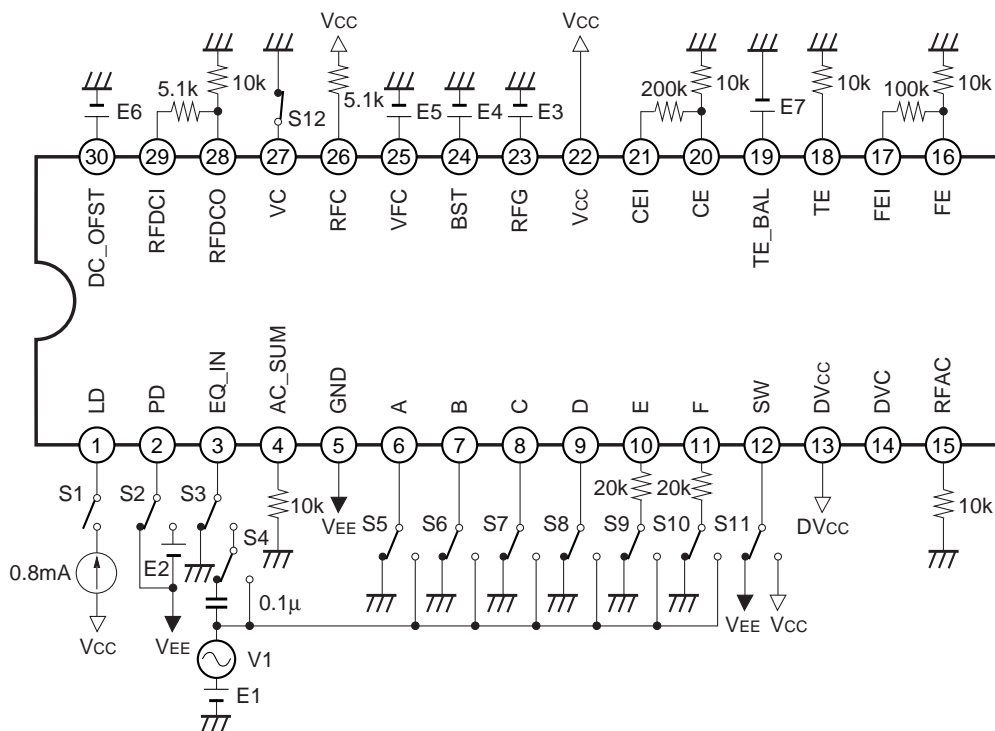


Vcc voltage value at which the waveform is clipped when DVcc is fixed

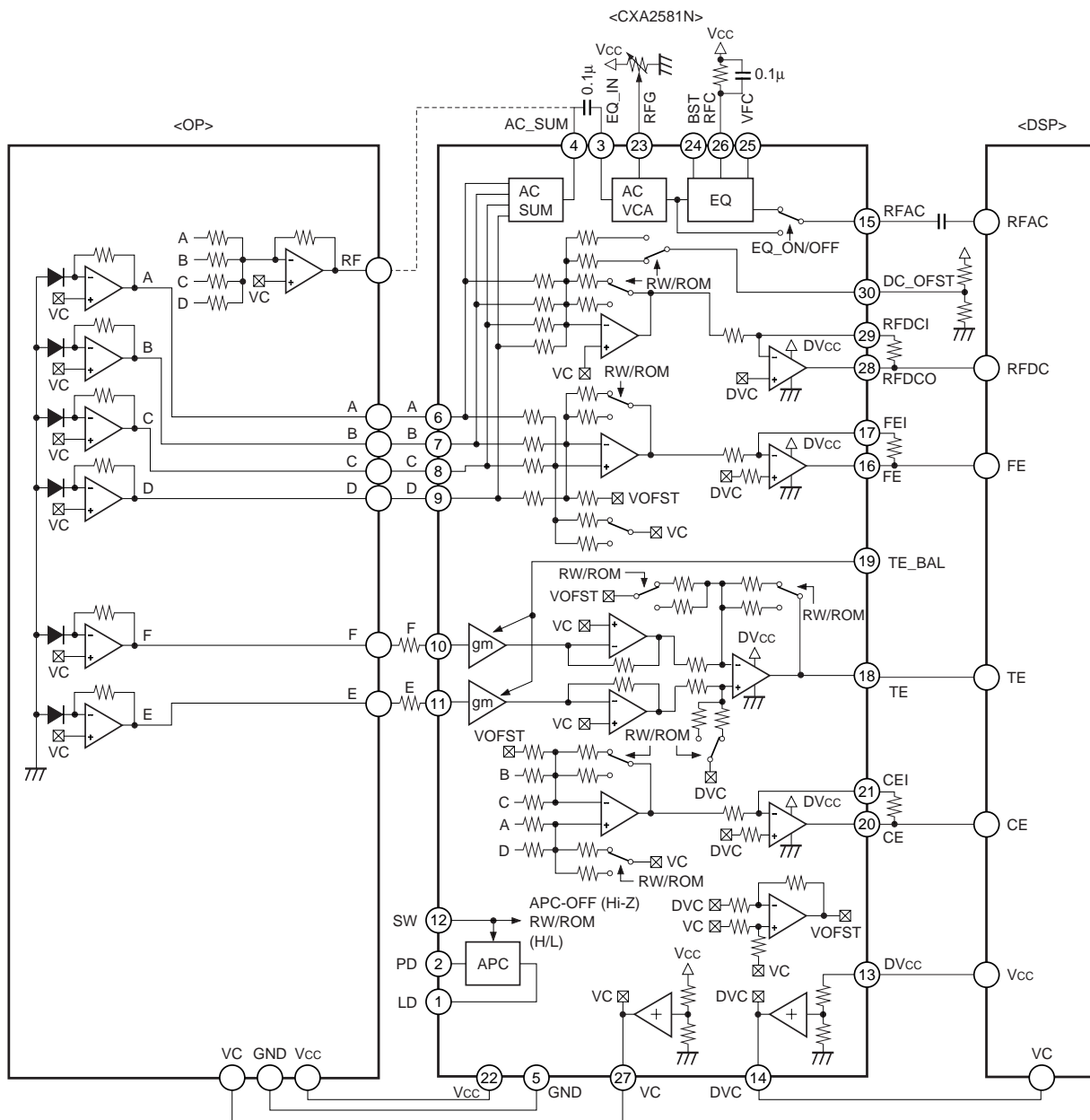
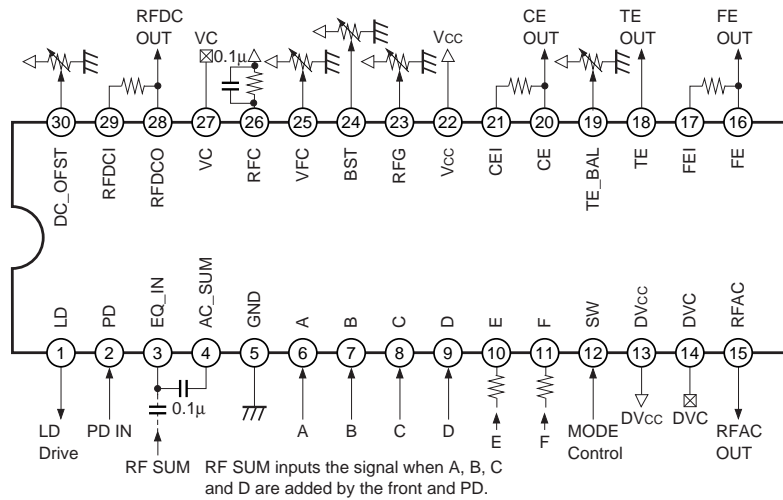
The voltage difference between Vcc (Pin 22) and DVcc (Pin 13) should be kept to the value shown in the graph above or less.

- Example)** When DVcc = 2.5V
 From the graph, Vcc = 4.5V
 Therefore, Vcc should be from 3.4 to 4.5V.
 (3.4V is the minimum operating voltage for the IC.)

Electrical Characteristics Measurement Circuit



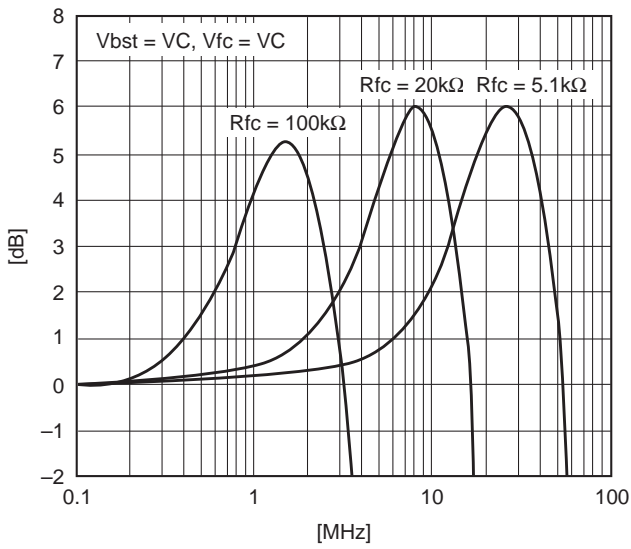
Application Circuits



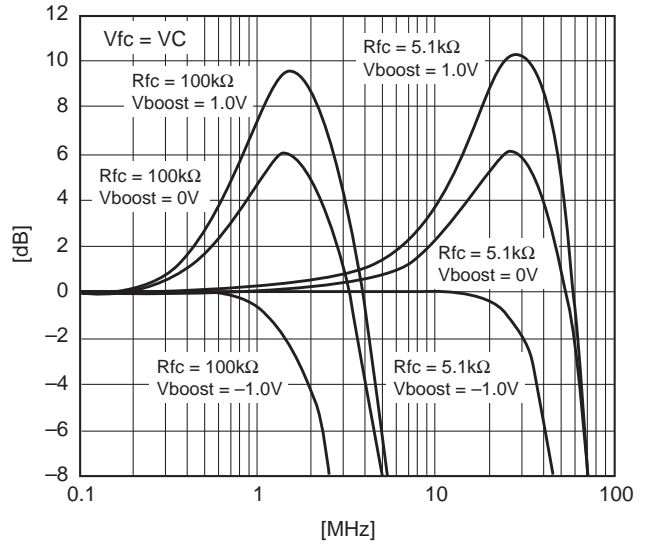
Application circuits shown are typical examples illustrating the operation of the devices. Sony cannot assume responsibility for any problems arising out of the use of these circuits or for any infringement of third party patent and other right due to same.

Characteristics Graphs

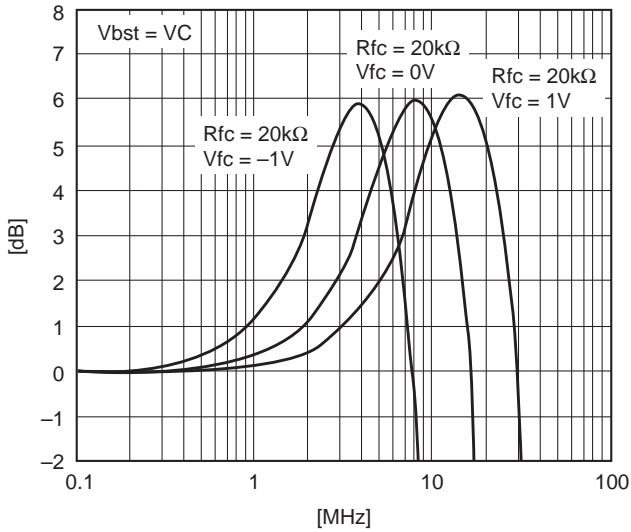
EQ Rfc resistance value vs. Frequency response



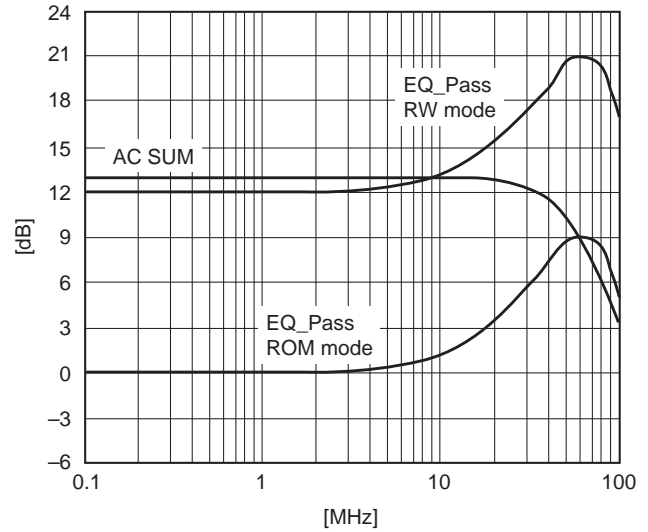
EQ boost voltage vs. Frequency response



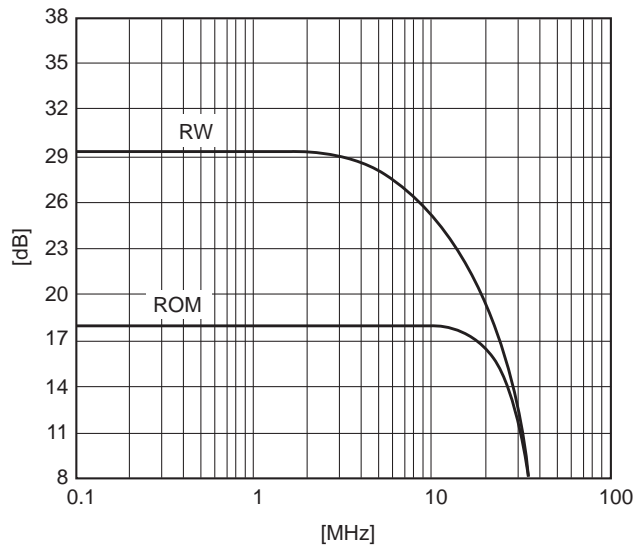
EQ Vfc vs. frequency response



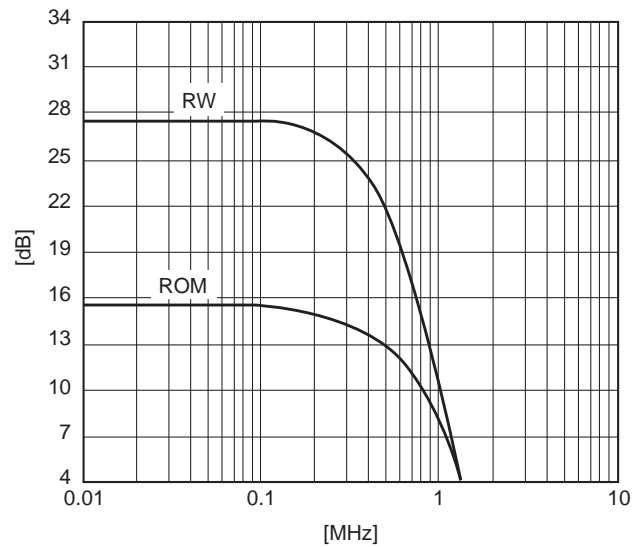
RF AC frequency response



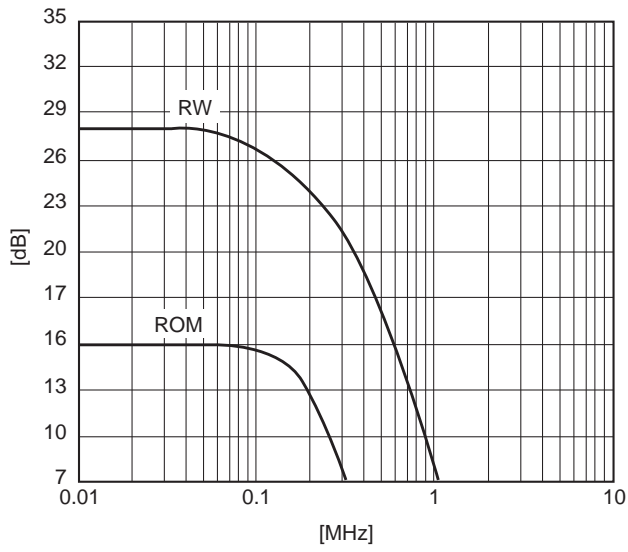
RF DC frequency response



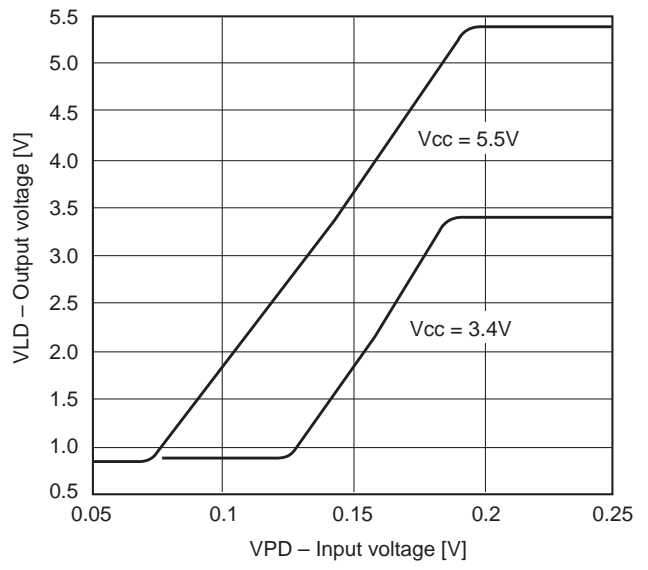
FE frequency response



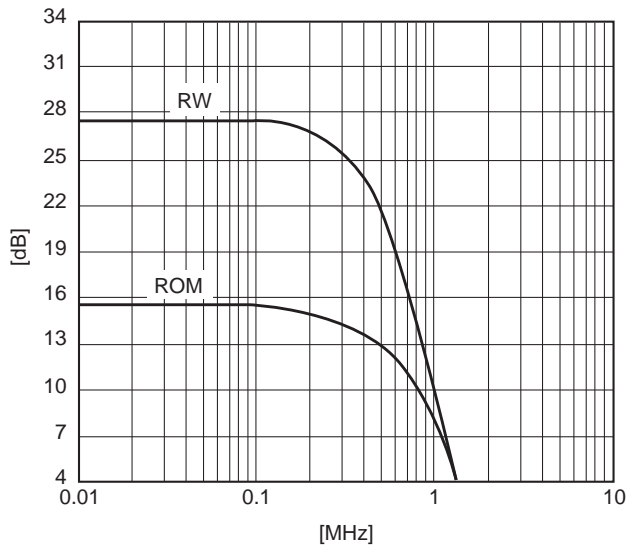
TE frequency response



APC I/O characteristics

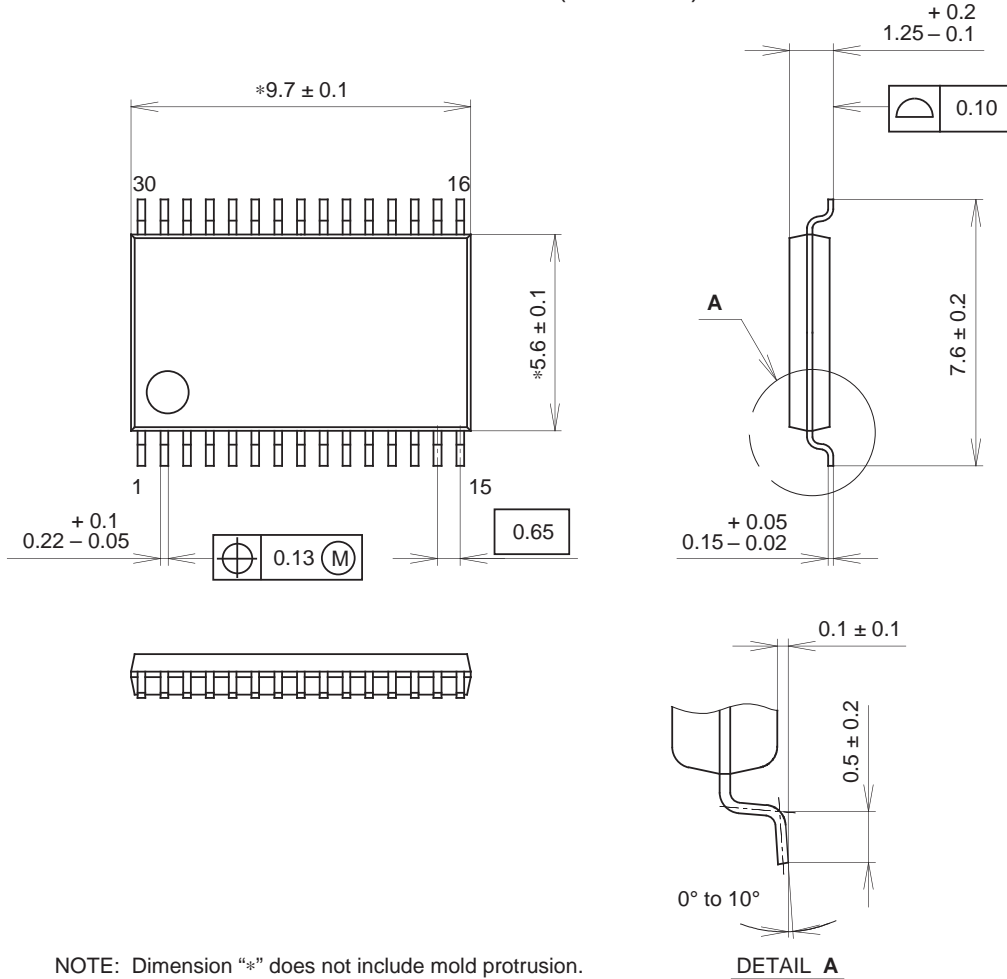


CE frequency response



Package Outline Unit: mm

30PIN SSOP (PLASTIC)



NOTE: Dimension "*" does not include mold protrusion.

PACKAGE STRUCTURE

SONY CODE	SSOP-30P-L01
EIAJ CODE	SSOP030-P-0056
JEDEC CODE	_____

PACKAGE MATERIAL	EPOXY RESIN
LEAD TREATMENT	SOLDER/PALLADIUM PLATING
LEAD MATERIAL	42/COPPER ALLOY
PACKAGE MASS	0.1g

NOTE : PALLADIUM PLATING
 This product uses S-PdPPF (Sony Spec.-Palladium Pre-Plated Lead Frame).