

OVERVIEW

The CF5750 series are analog clock driver ICs using 32.768kHz reference frequency of crystal oscillator. Some versions in accordance with the combinations of each motor drive characteristics can provide a wide range of applications for various clock specifications.

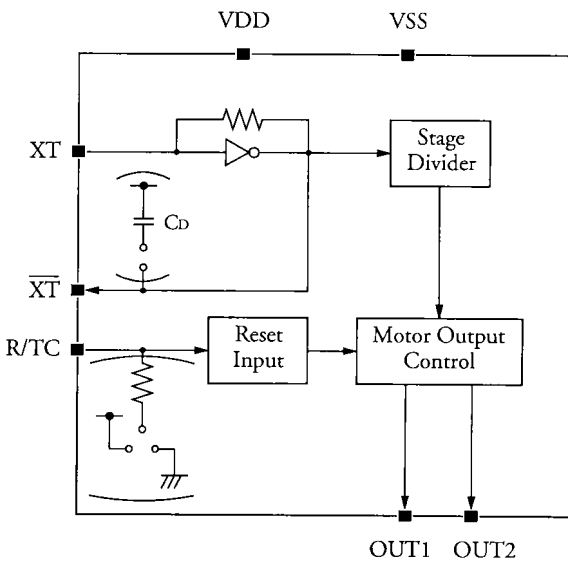
FEATURES

- Operating voltage 1.2 to 2.0V
- Low current 1.2μA(typ)/1.5V
- Built-in oscillator circuits (32.768 kHz)
Built-in crystal oscillator capacitors (C_D)
- Motor output
Various motor output
- Reset function
- Input debounce function (R/TC)
- Chip form (CF5750x)

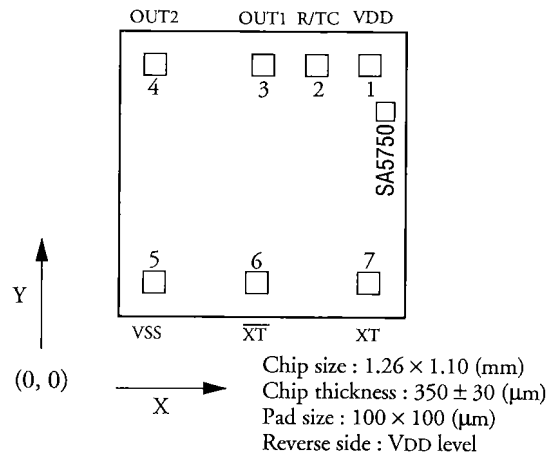
SERIES LINEUP

		CF5750A	CF5750C	CF5750D
Built-in Capacitor	XT terminal C _G (pF)	—	—	—
	\overline{XT} terminal C _D (pF)	34	34	34
Reset Input	Active Level	High	Low	Low
		(Pull-down resistor)	(Pull-up resistor)	(Pull-up resistor)
Motor Output	Active Level	High	High	High
	Hand Drive Cycle t _{CY} (sec)	1	0.125	1
	Pulse Width t _{PW} (msec)	27.34375	62.5	46.875

BLOCK DIAGRAM



PAD LAYOUT (Top view)



CF5750 series

PAD DESCRIPTION (Unit : μm)

No.	Name	Description	Dimensions	
			X	Y
1	VDD	Power supply pin	1081	969
2	R/TC	Reset/Test Clock Input	850	969
3	OUT1	Motor drive output 1	606	969
4	OUT2	Motor drive output 2	156	969
5	VSS	Ground	156	145
6	$\overline{\text{XT}}$	Crystal oscillator connection	571	145
7	XT	Crystal oscillator connection	1081	145

ABSOLUTE MAXIMUM RATINGS

($V_{SS} = 0V$, unless otherwise noted.)

Parameter	Symbol	Condition	Rating	Unit
Supply Voltage	$V_{DD} - V_{SS}$		-0.3 to 5.0	V
Input Voltage	V_{IN}		$V_{SS} \leq V_{IN} \leq V_{DD}$	V
Operating Temperature	T_{OPR}		-30 to 80	$^{\circ}\text{C}$
Storage Temperature	T_{STG}		-65 to 150	$^{\circ}\text{C}$

ELECTRICAL CHARACTERISTICS

($T_a = 25^{\circ}\text{C}$, $V_{DD} = 1.5V$, $V_{SS} = 0V$, $X'tal(f_0 = 32.768\text{kHz } C_1 \leq 35\text{k}\Omega)$ unless otherwise noted.)

Parameter	Symbol	Condition	Limit			Unit
			MIN	TYP	MAX	
Supply Voltage	V_{DD}		1.2	1.5	2.0	V
Supply Current	I_{DD}	OUT1,OUT2 = Open		1.2	4.0	μA
Oscillator Startup Time	t_{STA}	$V_{DD} = 1.2V$			5.0	sec
Motor Output Current	I_{MOT}	$V_{DD} = 1.2V$, $R_L = 400\Omega$ (Note.1)	2.4			mA
Input Resistance (R/TC)	R_{IN}	(Note.2)	200		1200	$\text{k}\Omega$
Oscillator Stability	$\Delta f/f$	$V_{DD} = 1.2V$ to $2.0V$			1.0	PPM/0.1V
Internal Capacitor	C_G			-		pF
	C_D			(Note.3)		pF

Note.1

R_L is resistor of motor coil, that connect OUT1 between OUT2.

Note.2

$R_{IN} = V_{DD}/I_{IS}$. I_{IS} is current that flow into VSS from R/TC, when R/TC short VSS.

(R/TC build-in pull-up resistor.)

Note.3

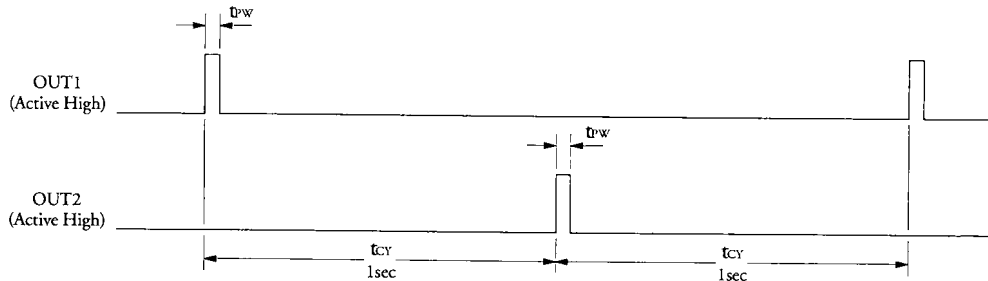
C_D is internal capacitor between VDD and XT.

C_G can't build-in capacitor between VDD and $\overline{\text{XT}}$.

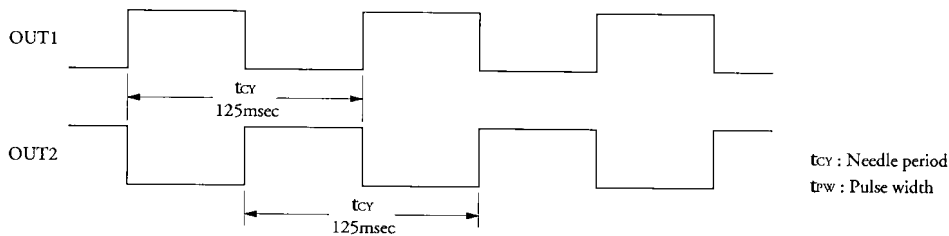
FUNCTIONAL DESCRIPTION

Motor Output

Stepping motor drive type



Sweeping motor drive type



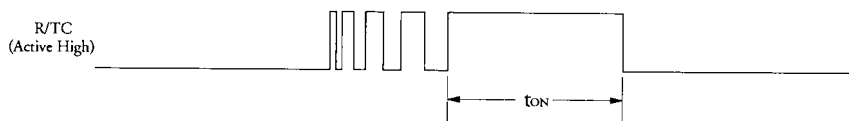
Input Debounce Function (R/TC)

Setting bouncing delay time prevents the circuit from the erroneous operation by R/TC input bouncing.

$t_{ON} < 62.5 \text{ msec}$: Reset input is ignored

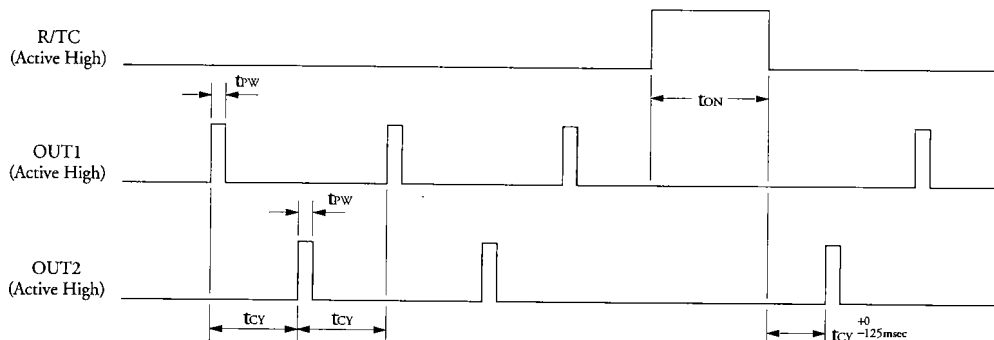
$62.5 \leq t_{ON} \leq 125 \text{ msec}$: Reset input is ignored or accepted

$t_{ON} > 125 \text{ msec}$: Reset input is accepted



Reset Function

R/TC goes to active level when motor output can be stopped. Motor output(OUT1,OUT2) restart of another stopped output after reset off.

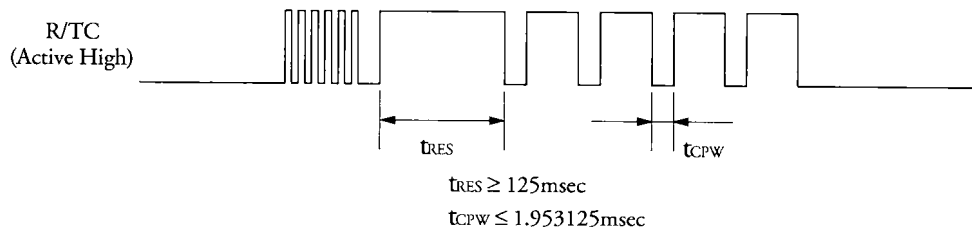


CF5750 series

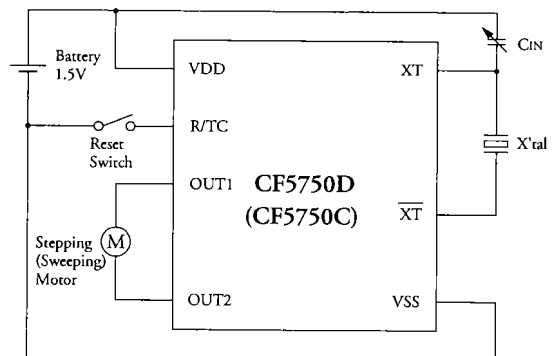
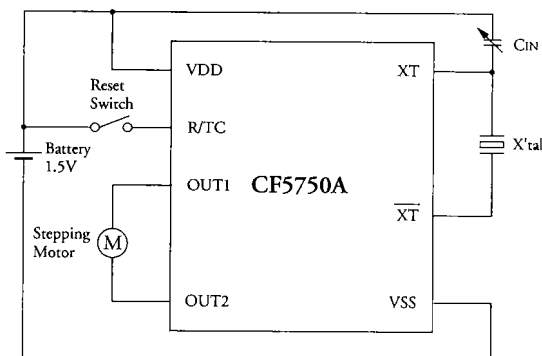
Test Function

Gain fast function

R/TC is active level more than 125 msec. And R/TC input outside clock when motor output gain fast. t_{CPW} is more less than 1.953125 msec.



APPLICATION CIRCUITS



NIPPON PRECISION CIRCUITS INC. Reserves the right to make changes to the products contained in this data sheet in order to improve the design or performance and to supply the best possible products. Nippon Precision Circuits Inc. assumes no responsibility for the use of any circuits shown in this data sheet, conveys no licence under any patent or other rights, and makes no claim that the circuits are free from patent infringement. Applications for any devices shown in this data sheet are for illustration only and Nippon Precision Circuits Inc. makes no claim or warranty that such applications will be suitable for the use specified without further testing or modification. Products contained in this datasheet are not intended to be the devices which may directly affect human lives due to failure or malfunction. Customers are requested to consult with the sales department of Nippon Precision Circuits Inc. prior to considering our products in such a special case.

NPC
NIPPON PRECISION CIRCUITS INC.

NIPPON PRECISION CIRCUITS INC.

4-3, FUKUZUMI 2 CHOME, KOUTO-KU

TOKYO, 135 JAPAN

Telephone: +81-3-3642-6663

Facsimile: +81-3-3642-6698

NC9303BE 1997 3