

VCXO-199

VCXO

■Features

- Wide frequency range.

■Typical Applications

- PLL oscillator for ISDN.
- H.D.camera.

■Standard Frequencies

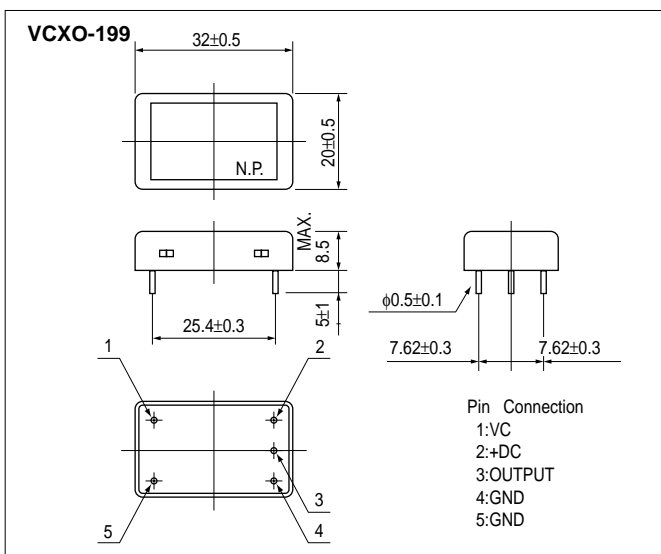
- 51.84MHz, 155.52MHz.
- 74.25MHz, 148.5MHz.

*Please do not clean using any kind of liquid cleansing method.

■Specifications

Item	Type	VCXO-199
Frequency Range		30~160MHz
Storage Temperature Range		-20~+80°C
Operating Temperature Range		-10~+75°C
Frequency Temperature Characteristics		$\pm 40 \times 10^{-6}$ MAX./-10~+75°C
Frequency Aging		$\pm 5 \times 10^{-6}$ MAX./year
Supply Voltage Change		$\pm 4 \times 10^{-6}$ MAX./+5.0V $\pm 5\%$
Frequency Deviation		$\pm 120 \times 10^{-6}$ MIN./+2.5V ± 2.5 V (positive)
Power Supply Voltage		+5.0V $\pm 5\%$
Power Supply Current		40mA MAX.
Output Level		0 dBm MIN.
Output Load		50 Ω
Output Harmonics/Subharmonics		-30 dB MAX.
Input Impedance		100k Ω MIN.

■Outline



Dimensions(mm)

