

Model No.: FF0433M92-TEA3

Rev. No.: 1

433.92 MHz SAW Filter

A. Feature:

1. RF SAW Filter for Wireless Remote Controller

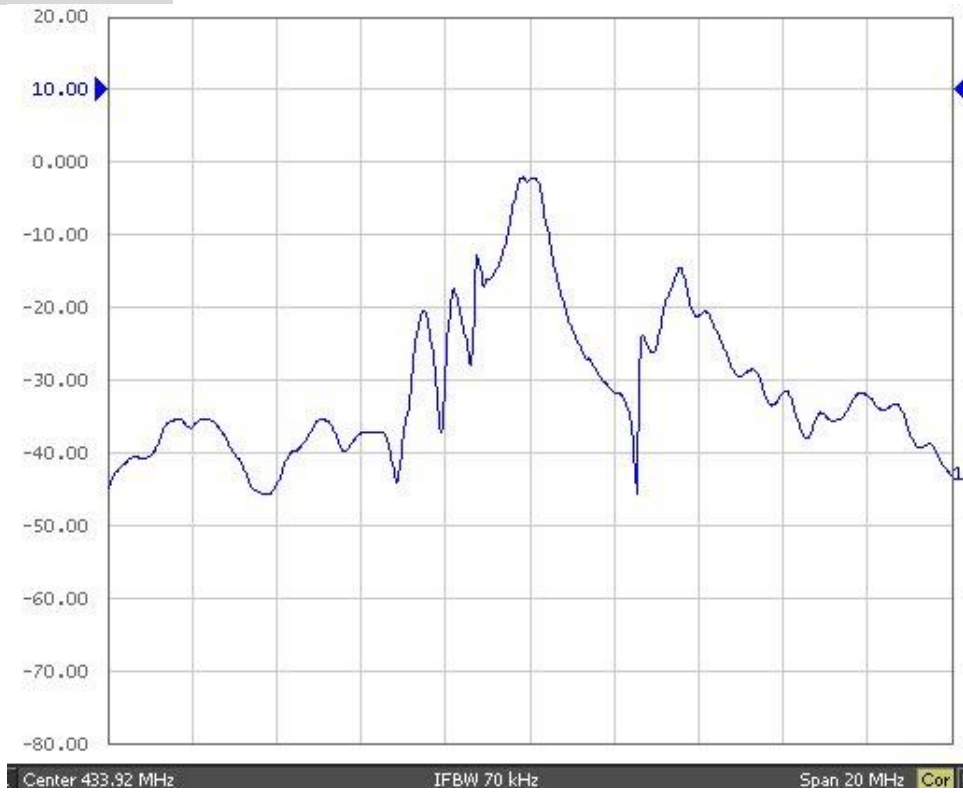
B. Maximum Ratings:

1. DV Voltage: 10V
2. AC Voltage: 10V (50Hz/60Hz)
3. Operating Temperature: -40°C to +85°C
4. Storage Temperature: -40°C to +85°C
5. RF Power Dissipation: +0dBm
6. Frequency Aging: $\pm 10\text{ppm/year}$

C. Electrical Specifications:

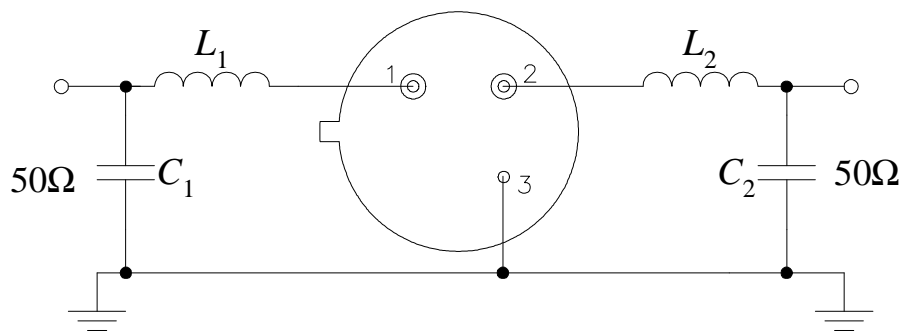
Item	Unit	Min.	Typ.	Max.
Center frequency, f_0	MHz	433.840	433.92	434.00
Insertion loss, IL	dB	-	1.7	3.0
Bandwidth, BW_3	kHz	500	-	800
Absolute attenuation				
$f_0-100\text{ MHz to }f_0-21.4\text{ MHz}$	dB	30	80	-
$f_0-21.4\text{ MHz}$	dB	40	50	-
$f_0-10.7\text{ MHz}$	dB	15	40	-
$f_0+21.4\text{ MHz to }f_0+1000\text{ MHz}$	dB	30	80	-

D. Characteristics:



E. Matching Network:

50Ω Single-ended Input/Output (Element values depend on PCB layout)



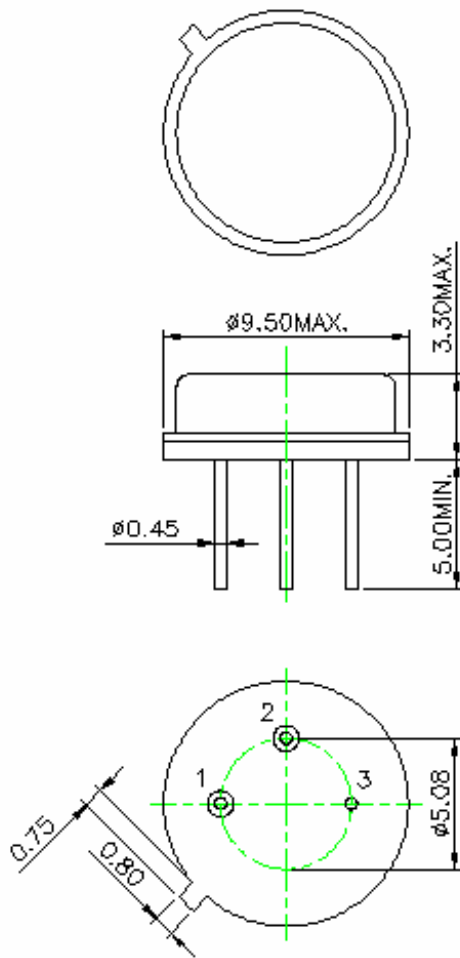
$$L_1=47 \text{ nH}$$

$$C_1=3 \text{ pF}$$

$$L_2=47 \text{ nH}$$

$$C_2=1.5 \text{ pF}$$

F. Package and pin configuration:



(Unit: mm)
Pin 1: Input
Pin 2: Output
Pin 3: Ground