

0.8" Dual Digit Display

FEATURES

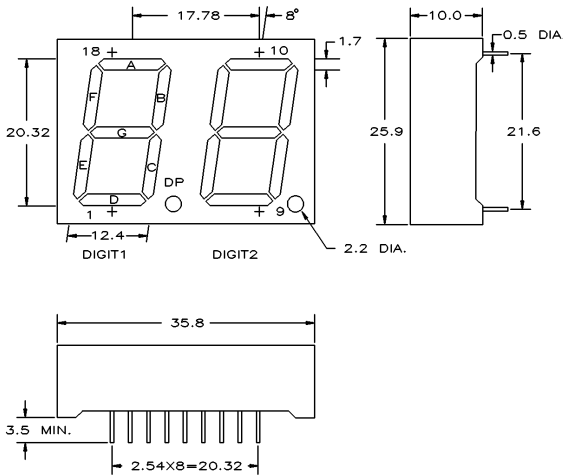
- 0.8" digit height
- Right hand decimal point
- Additional colors/materials available

OPTO-ELECTRICAL CHARACTERISTICS (Ta = 25°C)

PART NO.	PEAK WAVE LENGTH (nm)	EMITTED COLOR	FACE COLORS		MAXIMUM RATINGS			OPTO-ELECTRICAL CHARACTERISTICS						PIN-OUT	
			SURFACE COLOR	EPOXY COLOR	IF (mA)	VR (V)	PD (mW)	VF(V)			IR(μA)		IV(μcd)		
								typ.	max.	@mA	max.	@VR	typ. per seg.		@mA
MTN2280-AG	567	Green	Grey	White	30	5	85	2.1	3.0	20	100	5	3300	10	1
MTN4280-AO	635	Orange	Grey	White	30	5	85	2.1	3.0	20	100	5	3800	10	1
MTN4280-AHR	635	Hi-Eff Red	Red	Red	30	5	85	2.1	3.0	20	100	5	3800	10	1
MTN7280M-11A	660	Ultra Red	Grey	White	30	4	70	1.7	2.2	20	100	4	20000	20	1
MTN2280-CG	567	Green	Grey	White	30	5	85	2.1	3.0	20	100	5	3300	10	2
MTN4280-CO	635	Orange	Grey	White	30	5	85	2.1	3.0	20	100	5	3800	10	2
MTN4280-CHR	635	Hi-Eff Red	Red	Red	30	5	85	2.1	3.0	20	100	5	3800	10	2
MTN7280M-11C	660	Ultra Red	Grey	White	30	4	70	1.7	2.2	20	100	4	20000	20	2

Operating Temperature: -25~+85, Storage Temperature: -25~+100. Other face/epoxy colors are available.

PACKAGE DIMENSIONS AND PIN FUNCTIONS



PINOUT 1

COMMON ANODE

PIN NO. FUNCTION

1. CATHODE E (D1)
2. CATHODE D (D1)
3. CATHODE C (D1)
4. CATHODE DP (D1)
5. CATHODE E (D2)
6. CATHODE D (D2)
7. CATHODE G (D2)
8. CATHODE C (D2)
9. CATHODE DP (D2)
10. CATHODE B (D2)
11. CATHODE A (D2)
12. CATHODE F (D2)
13. D2 COMMON ANODE
14. D1 COMMON ANODE
15. CATHODE B (D1)
16. CATHODE A (D1)
17. CATHODE G (D1)
18. CATHODE F (D1)

PINOUT 2

COMMON CATHODE

PIN NO. FUNCTION

1. ANODE E (D1)
2. ANODE D (D1)
3. ANODE C (D1)
4. ANODE DP (D1)
5. ANODE E (D2)
6. ANODE D (D2)
7. ANODE G (D2)
8. ANODE C (D2)
9. ANODE DP (D2)
10. ANODE B (D2)
11. ANODE A (D2)
12. ANODE F (D2)
13. D2 COMMON CATHODE
14. D1 COMMON CATHODE
15. ANODE B (D1)
16. ANODE A (D1)
17. ANODE G (D1)
18. ANODE F (D1)

1. ALL DIMENSIONS ARE IN mm. TOLERANCE IS ± 0.25 mm UNLESS OTHERWISE SPECIFIED.
2. THE SLOPE ANGLE OF ANY PIN MAY BE $\pm 5.0^\circ$ MAX.



120 Broadway • Menands, New York 12204

Toll Free: (800) 98-4LEDS • Fax: (518) 432-7454

For up-to-date product info visit our web site at www.marktechopto.com

All specifications subject to change.