

**DSP Modulator Evaluation Board**

**Evaluation Kit**

The HSP50215EVAL Kit provides the necessary tools to evaluate the HSP50215 Digital Upconverter integrated circuit and consists of a circuit board and a software program. The kit is designed for evaluation of Digital Quadrature Amplitude, FM, and Shaped FM modulation for IF Communications Applications. The circuit board uses baseband I and Q data patterns loaded through the 8-bit parallel interface or the ISAbus interface. Data is output as either a digital or analog modulated composite IF signal. Up to four channels can be included in the composite IF output. To facilitate the use of the board during evaluation, the kit includes example files for configuration, shaping filters and input stimulus.

**Circuit Board**

The Functional Block Diagram illustrates the major functions of the circuit board. The circuit board is a ISAbus form factor with 40 pin I/O header/connectors for cascade and output signals. Baseband test patterns are loaded through the ISAbus or 8-bit parallel interface. The external Cascade Input allows expansion of the number of channels in the composite signal. The board outputs data through both the RF connector and the 40 pin header. Test connectors are provided at key signal and control locations in the circuit.

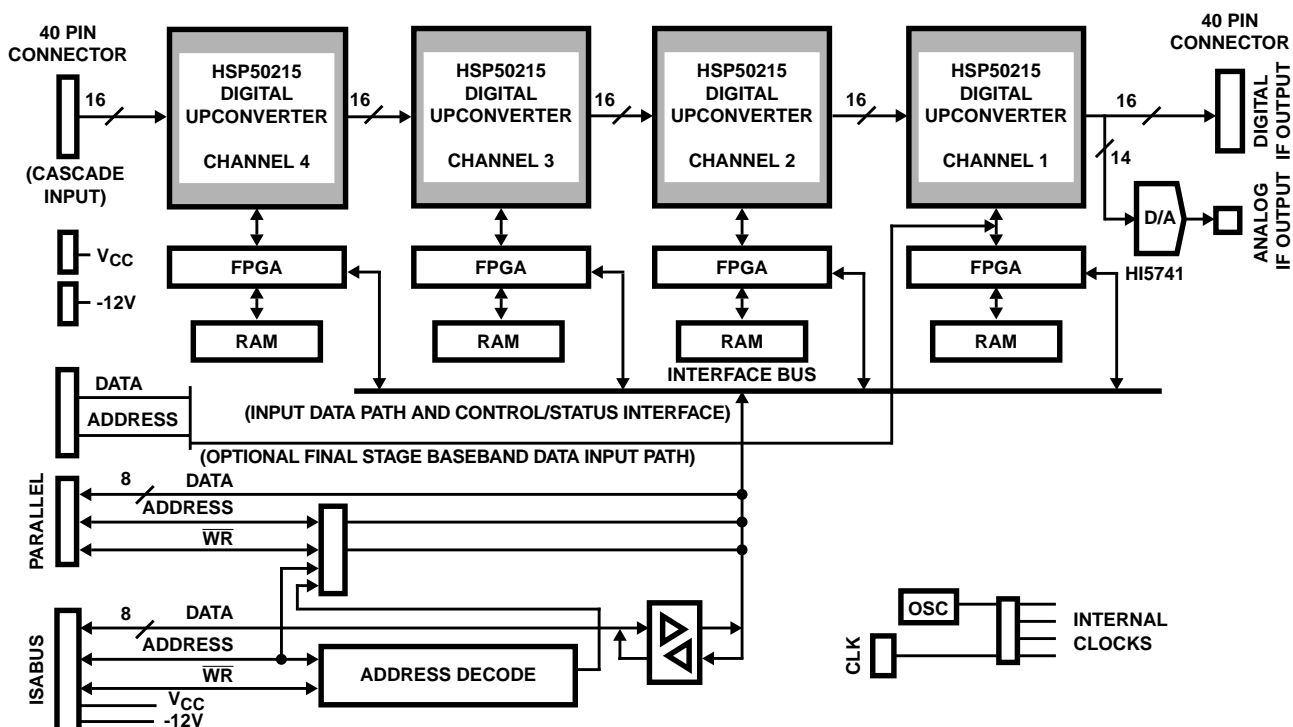
**Features**

- Multi-Channel Composite IF Output with 1-4 Channels
- Digital or Analog Composite Output
- Baseband Pattern Stimulus Files with Lengths to 64Kbits
- Example Baseband Patterns for BPSK, QPSK,  $\pi/4$ QPSK, 16QAM, FM, GMSK and AWG Noise
- Baseband Patterns Loaded to RAM Via PC ISAbus or Parallel Port, for Use as Modulator Baseband Data
- DOS Based Configuration/Status Software

**Applications**

- Evaluation Tool for the Performance of the Digital UpConverter Configured as PSK, Quadrature Amplitude (QAM), FM and Shaped FM (MSK) Modulators at Rates from <1 KBPS to 1.5 MBPS
- Performance Evaluation Tool for Digital Upconversion
- Communications Test Equipment

**Functional Block Diagram**



**Table of Contents**

	<b>PAGE</b>
<b>Functional Block Diagram</b> .....	1
<b>Control Software Program</b> .....	3
FIGURE 1. MENU TREE FOR THE CONTROL/STATUS SOFTWARE .....	3
<b>Configuration/Test Headers</b> .....	4
<b>Typical Evaluation Configuration</b> .....	4
<b>Getting Started</b> .....	4
Evaluation Circuit Board Configuration and Set Up .....	4
Requirements for the Control Software Program .....	4
Installing the Software .....	4
FIGURE 2. TYPICAL MODULATOR PERFORMANCE EVALUATION CONFIGURATION .....	4
Verifying the Control Software and Board Installation .....	5
FIGURE 3. MAIN MENU .....	5
FIGURE 4. BOARD INTERFACE SUBMENU .....	5
FIGURE 5. TEST SUBMENU .....	5
Running the Control Software for Evaluation Testing .....	6
FIGURE 6. MODULATOR CHANNEL CONFIGURATION SUBMENU .....	6
FIGURE 7. BOARD INTERFACE SUBMENU .....	6
FIGURE 8. CONFIGURE CHANNEL 1 SUBMENU .....	6
<b>Learning Your Way Around</b> .....	7
Exercise #1: Generating A CW Tone .....	7
Exercise #2: Adjusting the level of the CW Tone .....	8
Exercise #3: Modulating the CW Tone with PN Data .....	8
Exercise #4: CW and a Modulated Signal .....	9
Exercise #5: A Fourier Series Composite Signal .....	9
Exercise #6: Generating Additive White Gaussian Noise (AWGN) .....	9
Background on Eb/No and SNR Calculations .....	10
An Example Eb/No Calculation .....	11
Exercise #7: PRBS Data .....	11
Generating User Configurations .....	11
<b>Detailed Circuit Description</b> .....	12
<b>Signal Path</b> .....	12
Modulation Channel 4 .....	12
Modulation Channel 3 .....	12
Modulation Channel 2 .....	12
Modulation Channel 1 .....	12
<b>PC/Controller Interface Section</b> .....	13
ISA Interface .....	13
Parallel Interface Configuration .....	13
<b>Clocking</b> .....	13
Jumpered Options .....	13
<b>Power Supply Connections</b> .....	13
<b>Advanced Evaluation Configurations</b> .....	13
Non ISA (PC installed) Operation .....	13
Direct Modulator Control .....	14
Using SERINADE™ Designed Filters .....	14
<b>Appendix A - Circuit Board Layout</b> .....	14
<b>Appendix B - Initial Jumper Settings</b> .....	15
<b>Appendix C - Connector Pin Assignments</b> .....	17
<b>Appendix D - Test Header Pin Assignments</b> .....	19
<b>Appendix E - Detailed Schematics</b> .....	22
<b>Appendix F - Parts List</b> .....	34
<b>Appendix G - Descriptive File List</b> .....	35
<b>Example Configuration Files</b> .....	35
<b>Example Filter Files</b> .....	37
FIGURE 9. IS136B.IMP FREQUENCY RESPONSE .....	38
FIGURE 10. RRC2A4X.IMP FREQUENCY RESPONSE .....	38
FIGURE 11. GS5T16X.IMP FREQUENCY RESPONSE .....	39
FIGURE 12. S95MOD.IMP FREQUENCY RESPONSE .....	39
FIGURE 13. AMPS2.IMP FREQUENCY RESPONSE .....	40
FIGURE 14. RRC35A4X.IMP FREQUENCY RESPONSE .....	40
FIGURE 15. GP1.IMP FREQUENCY RESPONSE .....	41
FIGURE 16. GP2.IMP FREQUENCY RESPONSE .....	41
<b>Example Stimulus Files</b> .....	42
<b>Appendix H - Detailed Menu Item Descriptions</b> .....	43

## Control Software Program

The control software program, written for DOS based PC's, is included in the evaluation kit. This software supports operation of the evaluation circuit board in basic quadrature ASK and FM modulation configurations

The control software MAIN MENU offers six submenus for various configuration selections and three command actions. The menu tree is illustrated in Figure 1.

The 7 configuration submenus are:

- Board Configuration Menu
- Modulator Channel 1 Configuration Menu
- Modulator Channel 2 Configuration Menu
- Modulator Channel 3 Configuration Menu
- Modulator Channel 4 Configuration Menu
- Configure Board Menu
- Test Menu

The four command actions are:

- Load Configuration File
- Save Configuration File
- Compute Registers
- Exit

A typical operational sequence is:

### A. Load Configuration File

Executing MAIN MENU item (5) brings up a screen with the current file name and requests the name of the file to be loaded. Once the new file name is entered, this command loads the configuration setup and returns to the MAIN MENU screen. This command allows the user to select a previously saved configuration file for display, review and editing.

### B. Edit Configuration File

This is done by sequencing through each of the configuration submenus and adjusting the parameters for the desired hardware configuration.

- The BOARD CONFIGURATION MENU is used to select control interface type, printer port (PRN) number, FPGA addressing, and oscillator frequency.
- The MODULATOR CHANNEL CONFIGURATION MENUS are used to select carrier center frequency, input sample rate, modulation type, coefficient file name, interpolation factor, impulse response length, Stimulus file name, number of data samples, output attenuation, output enabling, cascade input control, synchronization, synchronization polarity, FIFO depth, Output Format, and test register settings. There is a menu for each of the four modulator channels on the evaluation board.

### C. Save Configuration File

Executing MAIN MENU item (6) brings up a screen with the current file name and a request for a file name to be saved. Once the new file name is entered, this command stores the configuration setup to the new file.

**WARNING:** Failure to change the .cfg file name may result in overwriting of an example file with an edited version of that file.

### D. Compute Registers

This command will use the configuration data entered in MAIN menu items 0-4, and generate a number of files which contain the register values for the IC's on the evaluation circuit board. The computation is based on a .cfg file, which contains filter (.imp) and stimulus (.imp) files for each of the 4 channels. The computed register values are stored in a set of files identified by the suffix of .1, .2, .3 and .4, indicating the channel to which the parameters apply. The actual filename preceding the .1, .2, .3 or .4 suffix is automatically assigned to be the Configuration file filename.

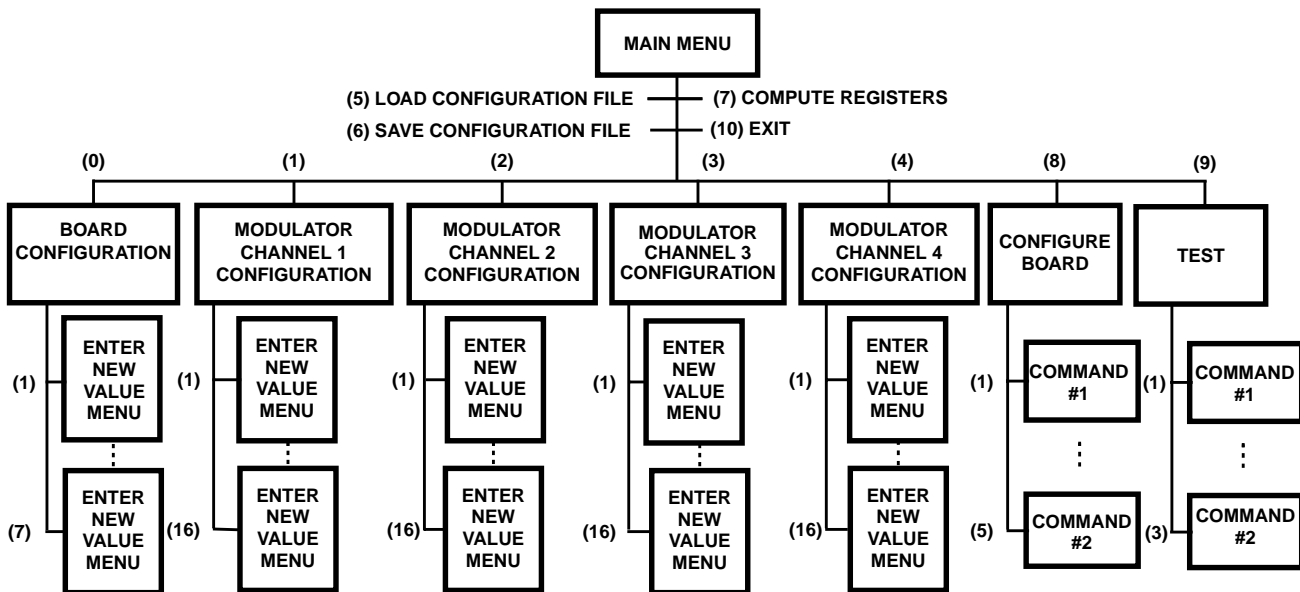


FIGURE 1. MENU TREE FOR THE CONTROL/STATUS SOFTWARE

E. Configure Board Menu

This command accesses a menu called the BOARD, INTERFACE MENU. The BOARD, INTERFACE MENU is used to select among several board configure command options, including configure channel 1, configure channel 2, configure channel 3, configure channel 4, or configure all modulator channels.

D. Test Menu

This command accesses a menu called the TEST MENU. The TEST MENU is used to select among several "run" options, including reset the board, write to a location while reset, read to a location while reset, write to a location while running, or read from a location while running.

For a detailed listing of every Menu screen, with selection item definitions, refer to Appendix G - Descriptive File List.

**Configuration/Test Headers**

Fifteen dual row test headers located on the evaluation circuit board are used to monitor signals and set control pins. The pin assignments for each of these headers are found in Appendix D - Test Header Pin Assignments.

**Typical Evaluation Configuration**

Figure 2 identifies the configuration of a typical performance evaluation setup. A test PRBS data pattern is created via a stimulus file and used by a modulator to generate a modulated IF signal. Noise and other signal impairment stimulus files can be used with additional channels to create a cascaded/summed composite IF signal that is routed to a D/A converter (DAC), generating an output analog signal. The digitized IF signal is also routed out of the circuit board allowing multiple boards to be cascaded together. To check out a complete communication systems, the modulator output can be routed to a demodulator, whose baseband output is connected to a Bit Error Rate Tester (BERT) for measuring the Bit Error Rate (BER) performance.

**Getting Started**

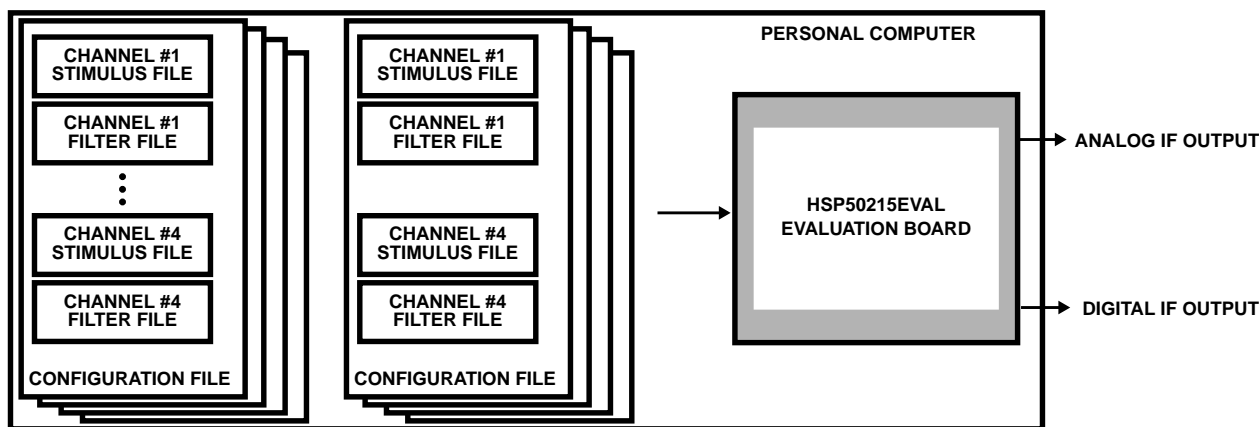


FIGURE 2. TYPICAL MODULATOR PERFORMANCE EVALUATION CONFIGURATION

**Evaluation Circuit Board Configuration and Set Up**

1. \_\_\_ Power down the host PC and remove the cover to allow access to the motherboard empty slots.
2. \_\_\_ Review the jumper configuration of the HSP50215EVAL Board to verify that the jumpers are properly set for the configuration desired. Appendices B (especially the jumper diagram at the end of the appendix), D and E will be helpful in this verification.
3. \_\_\_ Install the HSP50215EVAL into one of the empty ISA slots on the host PC motherboard. Make sure that a good connection is made with the motherboard and that the connectors fit in the slots in the rear of the PC chassis properly. Record the oscillator frequency for future reference: \_\_\_ \_\_\_ \_\_\_ Hz
4. \_\_\_ Re-install the PC chassis cover and power up the computer.

The circuit board is ready for use.

**Requirements for the Control Software Program**

In order to properly operate the HSP50215EVAL Control Software Program included in the evaluation kit, the PC must meet the following requirements:

PC/XT/AT or 100% compatible with a minimum of 640K of RAM

DOS Version 3.0 or higher.

One parallel port with 25 pin connector.

**Installing the Software**

The instructions that follow will load both the HSP50215EVAL software onto the "C" drive of the computer. If you do not wish to run the software from the "C" drive, consult your computer user's manual for operation from another drive. It is "good practice" to backup original disks prior to installing the software on your computer.

1. \_\_\_ Insert the HSP50215EVAL distribution disk in Drive A and copy the contents of the distribution diskette to the target directory on Drive C. *Note: This must be done in such a way as to retain the file structure of the distribution disk.*

2. \_\_\_ If a FIR filter design software tool is desired, then downloading SERINADE from the Intersil Corporation website into the target directory is recommended. The web site is found at www.intersil.com and SERINADE is found under the Products column of the home page. Select **Digital Signal Processing Products Listing** menu item. Select the **Development Tools** menu item. Select the **SERINADE** menu item. Download of SERINADE can be done from this location.

The software must be run from the new target directory established on the C drive.

**Verifying the Control Software and Board Installation**

1. \_\_\_ On the PC, change the directory to the target directory where the control software has been installed.
2. \_\_\_ Start the program by typing: HSP50215 <Enter>.
3. \_\_\_ The MAIN MENU screen will appear. It will look like Figure 3.

```

+-----+
| HSP50215 EVALUATION BOARD SOFTWARE |
+-----+
                MAIN MENU

(0) Board Configuration
(1) Modulator Channel 1 Configuration
(2) Modulator Channel 2 Configuration
(3) Modulator Channel 3 Configuration
(4) Modulator Channel 4 Configuration
(5) Load Configuration File
(6) Save Configuration File
(7) Compute Registers
(8) Configure Board
(9) Test Menu
(10) Exit
ENTER SELECTION: =

(C) Intersil Corporation 1997 Version 1.0
    
```

**FIGURE 3. MAIN MENU**

4. \_\_\_ Select item (0) for board configuration and type <Enter>. The BOARD INTERFACE MENU will appear as shown in Figure 4. Use the menu items to change the default board configuration to match the evaluation board interface, printer, FPGA addressing and oscillator frequency that you desire. Verify that these settings match the jumper configuration of your evaluation board.
5. \_\_\_ When you have completed making your modifications, select item (0) and type <Enter> to return to the MAIN MENU.
6. \_\_\_ Select Main Menu item (9) and type <Enter> to enter the Test Menu. The Test Menu is shown in Figure 5.
7. \_\_\_ Select Test Menu Item (6) and type <Enter> to enter the Test Board submenu.
8. \_\_\_ A screen appears that indicates the RAM Address/Data Bus test results and the HSP50215 data bus test

results. If all the items have passed the test, the board and software have been properly installed and you are ready to begin evaluation testing. Skip to step 12. If any test failed, proceed to step 9.

9. \_\_\_ If one of the tests shown on the screen for step 8 did not pass, then the board jumper configuration should be reviewed, as it is the most likely culprit.

```

+-----+
| HSP50215 EVALUATION BOARD SOFTWARE |
+-----+
                BOARD INTERFACE MENU

File Name ..... EXAMPLES\EX01QPSK

(1) Interface ..... ISA
(2) ISA Base Address ..... 0x300

(3) Channel 1 FPGA Address ..... 0
(4) Channel 2 FPGA Address ..... 1
(5) Channel 3 FPGA Address ..... 2
(6) Channel 4 FPGA Address ..... 3

(7) Oscillator Freq ..... 50000000 Hz

(0) Main Menu

ENTER SELECTION:

(C) Intersil Corporation 1997 Version 1.0
    
```

**FIGURE 4. BOARD INTERFACE SUBMENU**

```

+-----+
| HSP50215 EVALUATION BOARD SOFTWARE |
+-----+
                TEST MENU

File Name..... EXAMPLES\EX01QPSK
(1) Reset Board
(2) Write to Location While Reset
(3) Read from Location While Reset
(4) Write to Location While Running
(5) Read from Location While Running
(6) Test Board
(0) Main Menu
ENTER SELECTION:

(C) Intersil Corporation 1997 Version 1.0
    
```

**FIGURE 5. TEST SUBMENU**

10. \_\_\_ Next, the physical installation should be checked.
11. \_\_\_ If the board is properly installed, then a verify that no ISAbus card addressing contention exists. Steps 9, 10, AND 11 are the leading causes of board test failure.

**Running the Control Software for Evaluation Testing**

- 12. \_\_\_ From the MAIN MENU, select the first MODULATOR CONFIGURATION MENU, item (1), by typing: 1<Enter>. The MODULATOR CHANNEL 1 CONFIGURATION MENU will appear. It should match the entry found in Figure 6.
- 13. \_\_\_ Make any adjustments to the parameters by entering the desired item number for parameter selection and editing each item via the respective parameter entry submenu. When editing is complete, select item (0) and type <Enter> to return to the MAIN MENU.

```

+-----+
| HSP50215 EVALUATION BOARD SOFTWARE |
+-----+
File Name..... EXAMPLES\EX01QPSK
Channel 1
(1) Carrier Center Freq..... 5000000 Hz
(2) Input Sample Rate..... 24300 Hz
(3) Modulation Type..... QASK
(4) Coef File..... FILTERS\ISA135B
(5) Interpolation (IP)..... 16 phase
(6) Impulse Response Length (DS).16 samples
(7) Stimulus File..... STIMULUS\QPSKPN
(8) # Data Samples:..... 1022
(9) Output Attenuation..... +15dB
(10) Output..... Enabled
(11) Cascade Input..... Enabled
(12) Sync..... Internal
(13) Sync Polarity..... L -> H
(14) FIFO Depth..... 3
(15) Output Format..... Offset Binary
(16) Test Register..... 0
(0) Main Menu
ENTER SELECTION:

(C) Intersil Corporation 1997 Version 1.0
    
```

**FIGURE 6. MODULATOR CHANNEL CONFIGURATION SUB-MENU**

- 14. \_\_\_ Repeat Steps 12 and 13 for MAIN MENU items (2), (3), and (4). These submenus control Modulator Channels 2 through 4. These submenus are identical to those found under MAIN MENU (1) with the exception of the Channel Number and the names of the coefficient file, and stimulus file.
- 15. \_\_\_ Select MAIN MENU item (6) by typing 6 <Enter>. This will save the edited configuration file. You are prompted for a file name for your new configuration. **WARNING: Failure to change the .cfg file name may result in overwriting of an example file with an edited version of that file.**
- 16. \_\_\_ Select MAIN MENU item (7) by typing 7<Enter>. This will compute the configuration register values and generate the .1, .2, .3, and .4 files. (Filter and stimulus files with .imp file extensions must be created prior to running the HSP50215EVAL software - See Appendix G - Descriptive File List) Note that MAIN MENU items 1 through 7 can be executed without the evaluation circuit board installed.

- 17. \_\_\_ Select MAIN MENU item (8) by typing 8 <Enter>. The Board Interface Menu will appear as shown in Figure 7.
- 18. \_\_\_ If you have identified more than one channel for operation, selection of menu item (5) will load all the channels with one command. See step 25 for this action. In testing, there are times when most of the channels will remain the same and one channel or one channel input will change. Menu items (1) through (4) are for selective channel or channel input configuration. Select the menu item (1), CONFIGURE CHANNEL 1 MENU, of the BOARD INTERFACE MENU by typing 1<Enter>. A menu will appear with three execution options, as shown in Figure 8. This is the same menu that will appear when BOARD INTERFACE MENU items (2) through (5) are selected.

```

+-----+
| HSP50215 EVALUATION BOARD SOFTWARE |
+-----+
BOARD INTERFACE MENU

File Name..... EXAMPLES\EX01QPSK

(1) Configure Channel 1
(2) Configure Channel 2
(3) Configure Channel 3
(4) Configure Channel 4
(5) Configure All Channels

(0) Main Menu

ENTER SELECTION:

(C) Intersil Corporation 1997 Version 1.0
    
```

**FIGURE 7. BOARD INTERFACE SUBMENU**

- 19. \_\_\_ Select the desired action from the three choices in

```

(1) Modulator
(2) Pattern RAM
(3) Both

ENTER NEW VALUE [1]:
    
```

**FIGURE 8. CONFIGURE CHANNEL 1 SUBMENU**

- 20. \_\_\_ Items (2), (3), and (4) of the BOARD INTERFACE submenu, configure only channel 2, 3, and 4 on the board, respectively. Configure these channels and return to the main BOARD INTERFACE submenu.



21. \_\_\_ Item (5) of the main BOARD INTERFACE submenu does a full initialization and configuration of all four channels on the board. Item (5) should be selected whenever the board has been reset. After that, items (2), (3) or (4) can be selected for a faster update.
22. \_\_\_ Select HARDWARE INTERFACE submenu item (0) by typing 0 <Enter>. This returns the user to the MAIN MENU. You have now configured your board for its first test configuration. You may look at the output with a scope or spectrum analyzer to verify that the board is operating as desired.
23. \_\_\_ If the output is not as expected, review the configuration of all of the channels to be sure that you have properly selected the stimulus, filtering and configuration.
24. \_\_\_ When designing a new configurations or new stimulus, it is best to begin by editing the example file that most closely matches the desired signal or configuration.

## Learning Your Way Around

This Section provides a step by step walk through of some exercises to familiarize the user with the software screens and the techniques used to generate a variety of stimulus and configurations of the HSP50215EVAL Board. If the DAC output is routed to a scope or a spectrum analyzer, then a visual verification can be made of the configuration changes. Note that these exercises assume that the concluding configuration of the previous exercise is the configuration of the board at the start of the next exercise. The first exercise configures all channels to ensure success.

### Exercise #1: Generating A CW Tone

This exercise will demonstrate the creation of a CW test tone. The purpose of this exercise is to illustrate the generation of a signal that is useful in a variety of testing configurations.

Go to the main menu. Select Item (5), Load Configuration File, and enter the following file name and path: examples/ex01qpsk <Enter>. Select Item (1), Modulator Channel 1 Configuration, and enter the following parameters:

- (1)500,000Hz
- (2)50,000Hz
- (3)QASK
- (7)Stimulus\bpskpn (See note below before leaving this item).

*Note: If you have not properly identified the stimulus file or the path to that file, then the program will not download when you command the software to configure the board, and will return you to the DOS prompt at which point you will need to restart the control software and start from scratch on the configuration.*

- (8)1
- (9)3
- (0)Returns to main menu

This configures channel one input stimulus to be a single bit, sampled at 50kHz, and applied to a 500kHz QASK modulator

with 3dB attenuation. The filter has a data span of 16 samples and 16 interpolation phases, and is referenced by the filter filename IS136B. Notice that it was setting item (8) to 1 that repeatedly sent a single bit to the modulator, creating the CW.

Select main menu item (2) and set the following parameters:

- (1)250,000Hz
- (2)25,000Hz
- (3)QASK
- (7)Stimulus\bpskpn (See note below before entering this item)

*Note: If you have not properly identified the stimulus file or the path to that file, then the program will not download when you command the software to configure the board, and will return you to the DOS prompt at which point you will need to restart the control software and start from scratch on the configuration.*

- (8)511
- (9)48
- (0)Returns to main menu

This configures channel two to be a 25Kbps PSK modulator at 250kHz, but with the RF severely attenuated so as to be effectively turned off. The IS136B filter is used here, as well as in Channel 1.

Select main menu item (3) and set the following parameters:

- (1)750,000Hz
- (2)75,000Hz
- (3)QASK
- (7)Stimulus\bpskpn (See note below before leaving this item).

*Note: If you have not properly identified the stimulus file or the path to that file, then the program will not download when you command the software to configure the board, and will return you to the DOS prompt at which point you will need to restart the control software and start from scratch on the configuration.*

- (8)511
- (9)48
- (0)Returns to main menu

This configures channel three to be a 75Kbps PSK modulator at 750kHz, but with the RF severely attenuated so as to be effectively turned off. Once again, the IS136B filter is used.

Select Item (4) and set the following parameters:

- (1)500,000Hz
- (2)501,000Hz
- (3)QASK
- (5)0
- (6)4
- (7)Stimulus\gn16k (See note below before leaving this item)

*Note: If you have not properly identified the stimulus file or the path to that file, then the program will not download when you command the software to configure the board, and will return you to the DOS prompt at which point you will need to restart the control software and start from scratch on the configuration.*

(8)16384

(9)48

(0>Returns to main menu

This configures channel four to be a 351Kbps PSK modulator at 500kHz with a Gaussian White Noise input and with the RF severely attenuated so as to be effectively turned off.

Select main menu item (6), save configuration file and enter the following file name and path: examples/exercise.

Select main menu (7) to compute the register values.

Select main menu (8) to configure the board.

Select submenu item (5) to configure all channels.

Select submenu item (3) to load both the modulator and Pattern RAM.

When the submenu reappears, the download is complete and the scope or spectrum analyzer should show a single CW tone at 500kHz at approximately 0.4Vpp.

### **Exercise #2: Adjusting the level of the CW Tone**

This exercise will demonstrate the technique used in adjusting the output amplitude of the CW test tone via the Gain Control signal of the Digital Upconverter. This is but one technique that can be used to set the level, noting that scaling the input file can achieve the same result. The HSP50215 data sheet notes that care must be taken in setting the signal level at the input to the shaping filter, at the input to the interpolation filter, at the input to the mixer, and at the cascade summer. Attention to these points will eliminate the unwanted limiting or roll-over. The purpose of this exercise is to introduce the user to a technique for setting test signal levels.

Go to the main menu. Select Item (1), Modulator Channel 1 Configuration, and enter the following parameters:

(9)9

(0>Returns to main menu

This will reduce the output level by 6dB.

Select main menu (7) to compute the register values.

Select main menu (8) to configure the board.

Select submenu item (1) to configure channel 1.

Select submenu item (1) to load the modulator.

When the submenu reappears, the download is complete and the scope or spectrum analyzer should show a single CW tone at 500kHz at with half the amplitude of the signal in Exercise 1. Note that if we had set the value to 48, the channel is effectively turned off. Setting the value to 0 is the maximum output level, but there is the risk that clipping will occur when other signals are added into the CW tone.

### **Exercise #3: Modulating the CW Tone with PN Data**

This exercise will demonstrate the creation a BPSK signal using a Random PN sequence as a stimulus. The BPSK stimulus will write the following values as (I,Q) pairs into the modulator: (-0.707, -0.707), (+0.707, +0.707). This will generate a BPSK signal. The purist may wish to edit this file to have the values (+1,0), (-1,0), but the 45° phase offset is not of concern, in general. The purpose of this exercise is to demonstrate BPSK and provide insight into creating useful test stimulus files, as well as to learn techniques for quick test configuration.

Go to the main menu. Select Item (1) and set the following parameters:

(8)24

(9)3

(0>Returns to main menu

This will return the output level to the original setting.

Select main menu (7) to compute the register values.

Select main menu (8) to configure the board.

Select submenu item (1) to configure channel 1.

Select submenu item (1) to load the modulator.

When the submenu reappears, the download is complete and the scope or spectrum analyzer should show a filtered, modulated signal at an output level of approximately 0.4Vpp. There should be 10 IF cycles per baud and the baud rate is 50kHz. Notice that it was setting item (8) to 24 that sent a PN sequence to the modulator. The previous value of 1, held the modulator at CW using an input of either a (-0.707, -0.707) or (+0.707, +0.707).

Note that if a particular data pattern is required, copying and editing the PN stimulus file for the number of data samples that you desire, is a quick way to perform an impulse response or some other useful test pattern such as 1/0 or 1000. Just remember to use the channel configuration menu to only select the number of data samples to match the entries that you have altered in the new file. Also, selecting a standard PN length ( $2^9-1$ ,  $2^{15}-1$ ) allows a commercial Bit Error Rate Tester to be used in conjunction with this modulator in evaluation of the communication link.

Notice also, that the various options for configuring the board are designed to save time during evaluation. If the only parameters that have changed involve one modulator, then the quickest configuration update downloads only the parameters for that modulator. The next quickest update is if the Pattern RAM and modulator for that single channel are all that need downloading. You will appreciate this as you apply the larger stimulus files, like the AWGN files. The longest download involves updating the modulator and Pattern RAM files for all channels.



## Exercise #4: CW and a Modulated Signal

This exercise simulates a CW jammer interferer with a signal of interest. The affect of interference is determined by how close in frequency the CW is to the desired signal and what the relative amplitude is to the signal of interest. We will use the pre-configured channel 1 as the modulated signal and configure channel 2 to be the interfering CW. The purpose of this exercise is to introduce the user to simple dual channel operation.

Go to the main menu. Select Item (2) and set the following parameters:

(8)1

(9)6

(0)Returns to main menu

This will set channel 2 to CW at 3dB lower than the modulated signal level and at half the frequency.

Select main menu (7) to compute the register values.

Select main menu (8) to configure the board.

Select submenu item (2) to configure channel 2.

Select submenu item (3) to load both the modulator and Pattern RAM.

When the submenu reappears, the download is complete.

This particular signal is easier seen on the spectrum analyzer than the scope. The CW is set at half the frequency of the modulated signal. By turning one of the signals on and off you can convince yourself that the desired combination of signals is present. The power of the four channel modulator should now be apparent. For signal testing, it is possible to generate the signal of interest, two adjacent signals, and an interferer signal. This test configuration is ideal for high signal to noise, multi-channel applications.

## Exercise #5: A Fourier Series Composite Signal

This exercise will demonstrate the use of 3 modulator channels configured as CW tones. The fundamental will be set at 12dB attenuation, the second harmonic at 18dB attenuation and the third harmonic at 24dB attenuation. The purpose is to introduce the operator to multiple channel configurations.

Go to the main menu. Select Item (1) and set the following parameters:

(8)1

(9)18

(0)Returns to main menu

Select Item (2) and set the following parameters:

(8)1

(9)12

(0)Returns to main menu

Select Item (3) and set the following parameters:

(8)1

(9)24

(0)Returns to main menu

Select main menu (7) to compute the register values.

Select main menu (8) to configure the board.

Select submenu item (5) to configure all channels.

Select submenu item (3) to load both the modulator and Pattern RAM.

When the submenu reappears, the download is complete.

The output is the composite of three CW tones related by harmonics and set at decreasing amplitude. The result is a cyclical output. Note that the relative start phase of each CW tone on each channel is determined by the relative time of the channel configuration load. For example, by reconfiguring individual channels (modulator only) you can change the relative phase of the CW's, changing the Fourier Series, resulting in a different shape output waveform. You may also find it interesting to adjust the amplitudes to try and approximate a square wave. Adding the fourth modulator will improve the approximation, remembering that these exercises depend on the configuration returning to the last one called out, in order for the next exercise to work.

## Exercise #6: Generating Additive White Gaussian Noise (AWGN)

This exercise will demonstrate the use of the "gn" stimulus files. Noise will be considered alone, at first, then a modulated signal will be added. The Gaussian Noise stimulus files were generated with MATLAB® using the code commands:

```
a = randn(8192,2);
```

```
b = 0.25*[a(:,1)/std(a(:,1)),a(:,2)/std(a(:,2))];
```

This is a sequence of numbers that are randomly selected in the range of [-1 to +1], scaled by 0.25 for  $4\sigma$  limiting, normalized to set the standard deviation to exactly 0.25. This baseband signal is input at the sample rate and will be modulated to the IF set in parameter (1) of the modulator channel being used for noise generation. As a rule of thumb, set the AWGN sample rate to either a value that is at least 10 times the data sample rate, or at a value close to the IF BW, but make it a prime number not an even multiple of the data sample rate. The other parameter that determines the randomness of the noise is setting (8), the number of data samples. Two stimulus files have been created and the file name includes the number of samples. The pn16k file has 16K data samples and the pn8K has 8K data samples. Since the noise is averaged over the number of samples, once the number becomes relatively large, the differences is primarily

the amount of time you care to wait to load the file. A rule of thumb is to use as large a number as possible. Note that the start of the noise sequence is determined by when the stimulus file for that channel is loaded. If multiple channels are required to be started together, then the board should be set to use the internal synchronization logic to respond to a single external SYNCIN command. In noise applications, a random start on the various channels is often the desired condition. The purpose of this example is to demonstrate both using noise stimulus for filter shape evaluation and for establishing signal plus noise configurations.

Go to the main menu. Select Item (1) and set the following parameters:

(8)511

(9)48

(0>Returns to main menu

Select Item (2) and set the following parameters:

(8)511

(9)48

(0>Returns to main menu

Select Item (3) and set the following parameters:

(8)511

(9)48

(0>Returns to main menu

Select Item (4) and set the following parameters:

(1)500,000Hz

(2)501,000Hz

(3)QASK

(4)Filters/bypass

(8)16384

(9)3

(0>Returns to main menu

Select main menu (7) to compute the register values.

Select main menu (8) to configure the board.

Select submenu item (5) to configure all channels.

Select submenu item (3) to load both the modulator and Pattern RAM.

When the submenu reappears, the download is complete. The output is a Gaussian Noise signal, sampled at 351kHz and modulated to 500kHz IF. On a spectrum analyzer the outline of the shaping filter is depicted. On the scope, a noisy signal that is 0.4Vpp is displayed.

Now lets add back in a modulated signal.

Go to the main menu. Select Item (1) and set the following parameters:

(9)3

(0>Returns to main menu

Select main menu (7) to compute the register values.

Select main menu (8) to configure the board.

Select submenu item (1) to configure channel 1.

Select submenu item (1) to load the modulator.

When the submenu reappears, the download is complete. The output is AWGN summed with modulated signal.

The final step is to determine how to set a particular Signal to Noise Ratio (SNR). In order to determine a C/N or  $E_b/N_0$  the following system information must be known:

1)The vector length of the I/Q data vector. (This is the magnitude of the input vector).

2)The standard deviation of the I and Q components of the noise pattern vector.

3)The DC gains of the data and noise filters.

4)The input sample rates for the data and noise modulators (it is assumed that the noise sample rate is higher than the data sample rate).

5) The noise bandwidth of the noise filters.

6) The multiplier settings for the gain in the modulators.

Items 1 through 5 are listed in the headers of the file or in the control software menus. Item 6 can be obtained from the computed register values found in the .1, .2, .3 and .4 files.

### **Background on $E_b/N_0$ and SNR Calculations**

The signal to noise ratio (C/N) is equal to:

$$C/N_{dB} = 10\text{LOG}(A^2/2\sigma^2)$$

where  $\sigma$  is the standard deviation of the I and Q noise vectors (they are equal), and A is the average length of the I/Q vector.

The length of the I/Q vector in the stimulus file is modified by the gain of the shaping filter and the gain of the programmable attenuator in the HSP50215. The standard deviation of the noise vector is likewise modified by the gains of the filter and the attenuator.

After obtaining C/N, conversion to  $E_b/N_0$  is done by normalizing for the data rate, NBW of the noise filter, and the modulation type as follows:

$$E_b/N_0 = C/N - \text{ModFactor} - 10\text{LOG}(\text{symbol rate}) + 10\text{LOG}(\text{NBW}).$$

where NBW is the double sided noise bandwidth of the noise filter.

Adding the log of the noise bandwidth converts from C/N to C/No. Subtracting the log of the symbol rate converts from C/No to Es/No. The modulation factor converts from Es/No to Eb/No using the equation:

$$MF = 10\text{LOG}[\text{bits/symbol}]$$

This yields MF = 0dB for BPSK, MF = 3.01dB for QPSK, and MF = 4.77dB for 8 PSK.

### An Example $E_b/N_o$ Calculation

Data File:

QPSKPN, A = 1.0,  $F_{\text{SAMP}} = 128\text{ksym/sec}$

Noise File:

GN16K, std dev. = 0.25,  $F_{\text{SAMP}} = 400\text{ksamp/sec}$

Data filter:

IS136B, DC gain = 0.658,  $\text{NBW} = 1.004 \times F_{\text{SAMP}}$

Noise filter:

RRC35A4xDC gain = 0.5,  $\text{NBW} = 0.989 \times F_{\text{SAMP}}$

Signal Atten:

20 dB,  $26 / 256 = 0.1016$

Noise Atten:

14.6 dB,  $48 / 256 = 0.1875$

Begin by calculating  $C/N_{\text{dB}}$ :

$$\begin{aligned} C/N_{\text{dB}} &= 10\text{LOG}((1.0 \times 0.658 \times 0.1016)^2 / (0.25 \times 0.5 \times 0.1875)^2) \\ &= 10\text{LOG}((4.4693 \times 10^3) / (1.0986 \times 10^3)) \\ &= 6.094\text{dB} \end{aligned}$$

Continue by calculating  $E_b/N_o$ :

$$\begin{aligned} E_b/N_o &= 6.094 - 3.01 - 10\text{LOG}(128,000) + 10\text{LOG}(0.989 \times 400,000) \\ &= 3.084 - 51.072 + 55.973 \\ &= 7.98\text{dB} \end{aligned}$$

Note that the values for A, standard deviation, DC gains, and noise bandwidths are found in the file headers of the example filter and stimulus files provided. When main menu item (7) is executed, four configuration files are generated, for the various channels. These files list the hex values for all of the control registers of the HSP50215. The channel (1, 2, 3, or 4) is indicated by the file suffix. The value of the multiplier for the attenuators is found in Register 17. This value, converted to decimal and divided by 256, yields the linear attenuation multiplier value.

Note that there is an error introduced due to the 8-bit quantization of the gain control value. The error is small for attenuations close to 0dB but can be on the order of a tenth of a dB for attenuations greater than 15dB and as much as 1dB at the bottom of the range.

### Exercise #7: PRBS Data

This exercise will configure the board to bypass the filter and not upconvert, so that the user PRBS data is output. This configuration is useful for verifying stimulus files that are short data sequences.

Go to the main menu. Select item (I) and set the following parameters:

(9)48

(0)Returns to the main menu

This turns channel 1 off.

Select main menu, item (4) and set the following parameters:

(1)0

(7)Stimulus/bpskpn

(8)15

(9)3

(0)Returns to the main menu

This sets the channel 4 stimulus file to be a 15 bit PRBS. The filter was already set to bypass. The IF is set to 0Hz.

Select main menu item (7) to compute the register values.

Select main menu item (8) to configure the board.

Select submenu item (5) to configure all 4 channels.

Select submenu item (3) to load both the modulator and pattern RAM.

When the submenu reappears, the download is complete. The output waveform should be the input PRBS data pattern. You should note that this configuration can be used to verify the maximum input rate by changing the input sample rate of channel 4 to be  $< f_{\text{OSC}}/16$ . Varying the input sample rate will illustrate that with too high of an input sample rate, the filter does not have sufficient time to complete an output calculation, and no PRBS pattern is output. By lowering the input sample rate again, until the PRBS pattern reappears, the maximum input sample rate can be determined for your evaluation board/oscillator combination. Note that a similar process can be used to determine the maximum input rate of each of the example filter files, taking care to enter the proper DS and IP values for each filter as noted in Appendix G - Descriptive File List.

### Generating User Configurations

Now that you understand the basics of controlling this modulator evaluation board, you should be able to edit the example configuration and stimulus files to obtain the test figuration you desire. Remember that it is best to begin with the files that most closely match the desired configuration. Appendix G - Descriptive File List has a description of these files.

## Detailed Circuit Description

The reader should reference the detailed schematics, found in Appendix E - Detailed Schematics, while reading the detailed circuit description.

### Signal Path

#### Modulation Channel 4

Baseband in-phase and quadrature (I and Q) data enters the HSP50215EVAL via the host computer ISA interface (sheet 6), and is routed to an ACTEL® FPGA (U6 - U9) on one of the four upconverter channels (sheets 1-4). Data enters the HSP50215 Digital UpConverter (U1, U2, U3, or U4) from the associated ACTEL® FPGA via busses C(15:0) and DUA(9:0), and the WR control line. The Digital UpConverter provides the primary DSP processing for each channel. The control software allows Modulation Channel 4 selection of the modulation type (QASK, bandlimited FM and shaped FM), Resampler frequency, IF frequency, gain control, as well as shaping and interpolation filter configuration. The output of the digital upconverter for modulation channel 4, U1, is routed to the cascade input of modulation channel 3 (sheet 2 - U2).

Modulation Channel 4 also allows for external digital cascade input, via connector J1. This input can be used for cascading several evaluation boards together, or for inclusion of any digitized IF signal, with the digital IF output of the modulation channel 4 upconverter, U1. The sync and clock signals are supplied to the connector from the clock and sync selection circuitry found on sheet 4 of the schematic.

JP1 and RZ1 provide control and selection for the channel 4 ACTEL® FPGA and associated Digital UpConverter. U13 and 14 provide the memory storage for data being processed by the ACTEL® FPGA.

Four modulation channels are provided, so that HSP50215 evaluation can include processing a signal of interest in the presence of two adjacent channel signals and an interferer signal.

#### Modulation Channel 3

Sheet 2 of the schematic details the control and access circuitry for modulation channel 3. U2 is the Digital upconverter and U7 is the associated ACTEL® FPGA. The control software allows Modulation Channel 2 selection of the modulation type (QASK, bandlimited FM and shaped FM), Resampler frequency, IF frequency, gain control, as well as shaping and interpolation filter configuration.

JP2 and RZ2 provide control and selection for the channel 3 ACTEL® FPGA and associated Digital UpConverter. U15 and 16 provide the memory storage for data being processed by the ACTEL® FPGA.

Care must be taken to ensure that the cascade input summed with the modulation output of channel two do not limit inside

the digital upconverter for channel two. The gain control can be used to provide sufficient back off. The output of the digital upconverter for modulation channel 3, U2, is routed to the cascade input of modulation channel 2 (sheet 3 - U3).

#### Modulation Channel 2

Sheet 3 of the schematic details the control and access circuitry for Modulation Channel 2. U3 is the Digital upconverter and U8 is the associated ACTEL® FPGA. The control software allows Modulation channel 2 selection of the modulation type (QASK, bandlimited FM and shaped FM), Resampler frequency, IF frequency, gain control, as well as shaping and interpolation filter configuration.

JP3 and RZ3 provide control and selection for the channel 2 ACTEL® FPGA and associated Digital UpConverter. U17 and 18 provide the memory storage for data being processed by the ACTEL® FPGA.

Care must be taken to ensure that the cascade input summed with the modulation output of channels 4 and 3 do not limit inside the digital upconverter for channel 2. The Gain control can be used to provide sufficient back off. The output of the digital upconverter for modulation channel 2, U3, is routed to the cascade input of modulation channel 1 (sheet 4 - U4).

#### Modulation Channel 1

Sheet 4 of the schematic details the control and access circuitry for modulation channel 1. U4 is the Digital upconverter and U9 is the associated ACTEL® FPGA. The control software allows Modulation Channel 1 selection of the modulation type (QASK, bandlimited FM and shaped FM), Resampler frequency, IF frequency, gain control, as well as shaping and interpolation filter configuration.

JP4 and RZ6 provide control and selection for the channel 1 ACTEL® FPGA and associated Digital UpConverter. U19 and 20 provide the memory storage for data being processed by the ACTEL® FPGA.

Care must be taken to ensure that the cascade input summed with the modulation output of channels 4 through 2 do not limit inside the digital upconverter for channel 1. The Gain control can be used to provide sufficient back off. The output of the digital upconverter for modulation channel 1, U4, is routed to an output connector, J2, and to a DAC, U5, found on sheet 5. J2 is the digital output that is the cascaded IF outputs of channels 4 through 1. The DAC output is routed to J5 and provides 50Ω output at 0.5Vpp.

Modulation Channel 1 also has an input connector, J3, which allows for direct control of one HSP50215 modulation channel on the HSP50215EVAL. Input Connector J4 provides access to the control bus of the ACTEL® FPGA for channel four. All other channels are expected to be not used, to prevent bus contention during the control of the channel 1 upconverter, via the channel 1 ACTEL® FPGA.

## PC/Controller Interface Section

### ISA Interface

The normal installation configuration of the HSP50215EVAL Card is in a PC, using a standard ISA slot. J10 on sheet 6 of the schematic details the card connector interface to the computer ISA bus. JP6 is used to set the card address location in the PC. The default card address shown on the schematic is 110000, and should be used unless that address has already been allocated in your PC configuration. U21 and RZ7 perform the card decode from the ISA interface and combine with U22 and U23 to generate the Read, Write and Address handling necessary for proper ISA interaction with the HSP50215EVAL.

Jumper JP9 allows for ISA control interface or an 8-bit parallel port interface via connector J9. Set the jumper configuration as shown in the schematic for ISA interface operation. U24 provides the ISA bus interface to the HSP50215EVAL 8-bit bus interface which downloads control data to the ACTEL® FPGA's on each of the four modulator channels.

### Parallel Interface Configuration

To configure the HSP50215EVAL to operate from a parallel port interface, remove jumpers JP6 17-18, and remove jumpers 1-2 and 5-6 from JP9. Install jumpers 3-4 and 7-8 on JP9. (Connects the external data bus, write signal and the address signals to the appropriate labelled pins on the J9 connector). Depending on the length of the cable connected to J9, installation of R13 and 14 as well as C3 and 4 may be desirable to improve the signal quality of the WR and address signals.

## Clocking

### Jumpered Options

Sheet 4 of the schematic contains the jumpers for several clocking configurations. JP8 determines the source for the CONNINCLK, MASTERCLK, and DACCLK clock drivers, U11, on the board. When JP8 1-2 and 3-4 are installed, then the clock source will be either an external source or the on-board crystal oscillator and the connector clock is driven by the card. These jumpers also route the clock to the output connector, J2. When JP8-2-3 is installed, the output connector is the source of the clock. The configuration shown on the schematic is for internal crystal clock source.

JP7 determines if the clock source is external or internal. The default configuration shown in the schematic is for operation from the internal crystal clock source, U10. Termination of the external clock with 50Ω is done by installing the JP10 jumper.

Jumper JP5 sets the source for the sync signal. Installing jumpers J5 7-8 and 9-10 route the SYNCOUT from Channel 1 to the CASSYNC2 location on J1 and to the SYNCIN of U1-4. Installing JP5 5-6 routes this sync signal to the output connector.

JP5 also allows jumpering of additional digital IF output resolution to the output connector, J2. Installing JP5 1-2 and 3-4 provides 2 bits of additional resolution on the output connector.

## Power Supply Connections

The +5V and -12V are supplied via the ISA interface when the card is installed in a PC. When the card is used outside the PC, +5V is input via J8 and -12V is input via J7. The +5V can be supplied from any generic +5V<sub>DC</sub>/2A AC/DC power adapter. The evaluation board draws approximately 1.5A at 52MHz on the 5V<sub>DC</sub> input. The -12V is supplied from the ISA connector, J10 and is regulated to -5V with U12, shown on sheet 5 of the schematic. If the ISA bus interface is used, then jumper J11 must be installed. If an external -5V<sub>DC</sub> supply is used, then jumper J11 must not be installed. Any generic 5V<sub>DC</sub>/200mA AC/DC power adapter can be used for the J7 V<sub>EE</sub> input. The evaluation board draws approximately 100mA at 52MHz on the -5V<sub>DC</sub> input.

## Advanced Evaluation Configurations

### Non ISA (PC installed) Operation

The HSP50215EVAL can be operated external to a PC for laboratory applications with other evaluation boards. The ISA interface is disabled by configuring jumpers on the board.

Remove jumpers JP9 1-2 and 5-6.

Install jumpers JP9 3-4 and 7-8.

Remove jumper JP6 17-18 and 19-20.

Remove jumper JP-11 and provide external power supply voltages -5.0V<sub>DC</sub> at J7 and +5.0V<sub>DC</sub> at J8.

The figure at the end of Appendix B - Initial Jumper Settings is a visual reference jumper configuration for this configuration.

The control processor must then be connected to the parallel interface on J9. PDC(7-0) is the data bus, PARWR is the Write signal and PARA is the Address signal. The installation of R13 and R14 as well as C3 and C4 may help reduce signal distortion for long cable interfaces. Once the parallel port connection is made, and the jumpers set, the board is ready for operation and control from the parallel interface rather than the ISAbus interface.

As in the ISAbus configuration stimulus, and filter files are used to operate the board.



**Direct Modulator Control**

The HSP50215EVAL Board provides a configuration that allows a user direct access to the HSP50215 control busses as well as to the ACTEL® FPGA bus interface. This mode is intended for single channel only operation, as bus contention will result if other channels are attempted to be controlled via the parallel or ISA bus while the local control is active.

Modulation channel 1 is the channel that has connectors for the local control of the DUC and ACTEL®. J4 provides the HSP50215 interface and J3 provides the ACTEL® interface. The user must design a cable to match the appropriate data and control signals for these parts, if local control is to be effective.

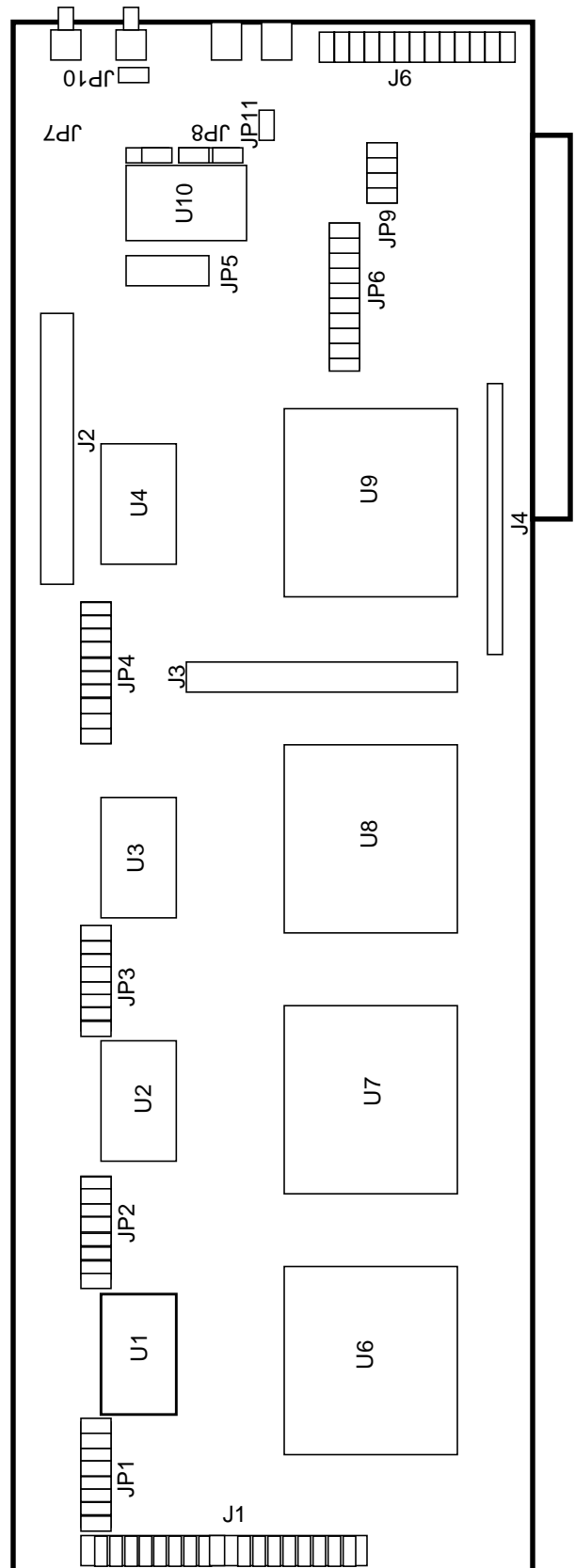
Disable the ACTEL by removing JP4 9-10

**Using SERINADE™ Designed Filters**

SERINADE, a filter design tool can be used to synthesize a filter for the HSP50215 shaping filters. This procedure assumes that the SERINADE .imp files are available for import. Version 1.1 or higher is recommended.

File format is consistent with a SERINADE .imp file or SIGLAB™ file.

**Appendix A - Circuit Board Layout**



**Appendix B - Initial Jumper Settings**

**INITIAL JUMPER SETTINGS**

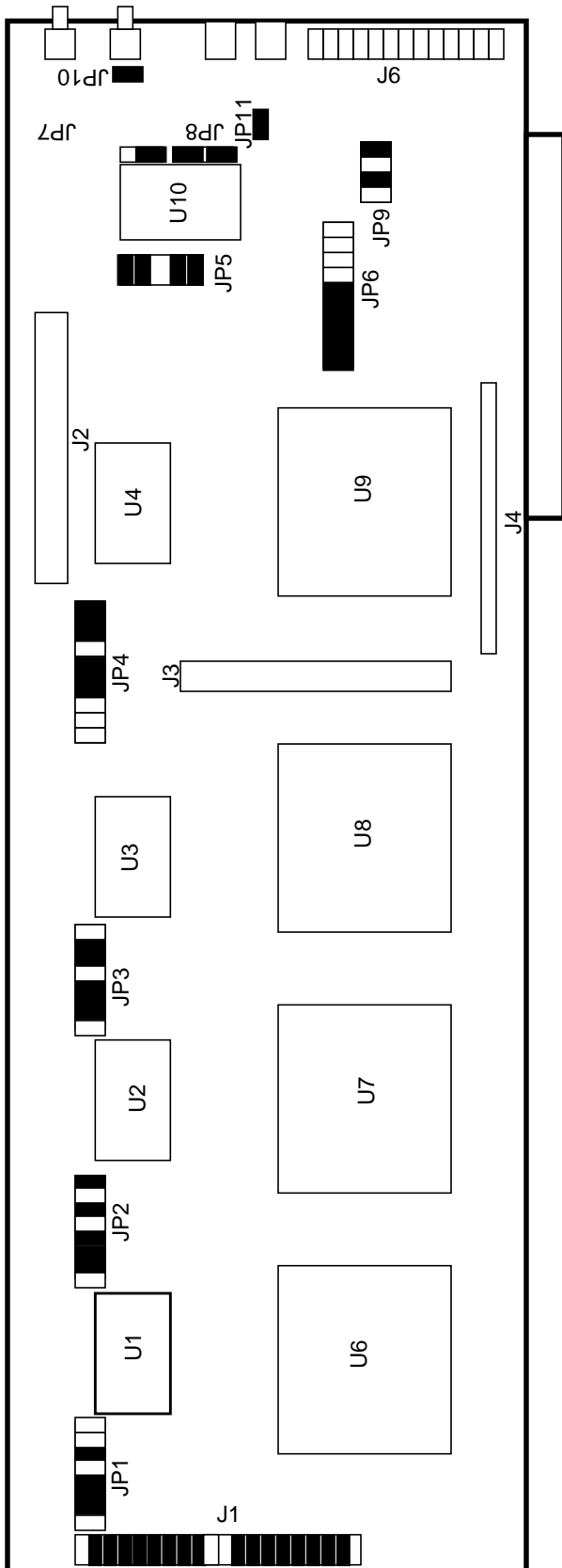
LOCATION	SETTING
J1	3-4
J1	5-6
J1	7-8
J1	9-10
J1	11-12
J1	13-14
J1	15-16
J1	17-18
J1	23-24
J1	25-26
J1	27-28
J1	29-30
J1	31-32
J1	33-34
J1	35-36
J1	37-38
The J1 jumpers are installed to terminate the Channel 4 cascade input, which is unused in the standard configuration	
JP1	5-6
JP1	9-10
JP1	11-12
JP1	13-14
The JP1 jumpers set the control signals, such as chip enables, output enables, and chip select controls for the ACTEL and HSP50215 for Channel 4	
JP2	1-2
JP2	5-6
JP2	9-10
JP2	11-12
JP2	13-14
The JP2 jumpers set the control signals, such as chip enables, output enables, and chip select controls for the ACTEL and HSP50215 for Channel 3	
JP3	3-4
JP3	5-6
JP3	9-10
JP3	11-12
JP3	13-14
The JP3 jumpers set the control signals, such as chip enables, output enables, and chip select controls for the ACTEL and HSP50215 for Channel 2	
JP4	1-2
JP4	3-4
JP4	5-6

**INITIAL JUMPER SETTINGS (CONTINUED)**

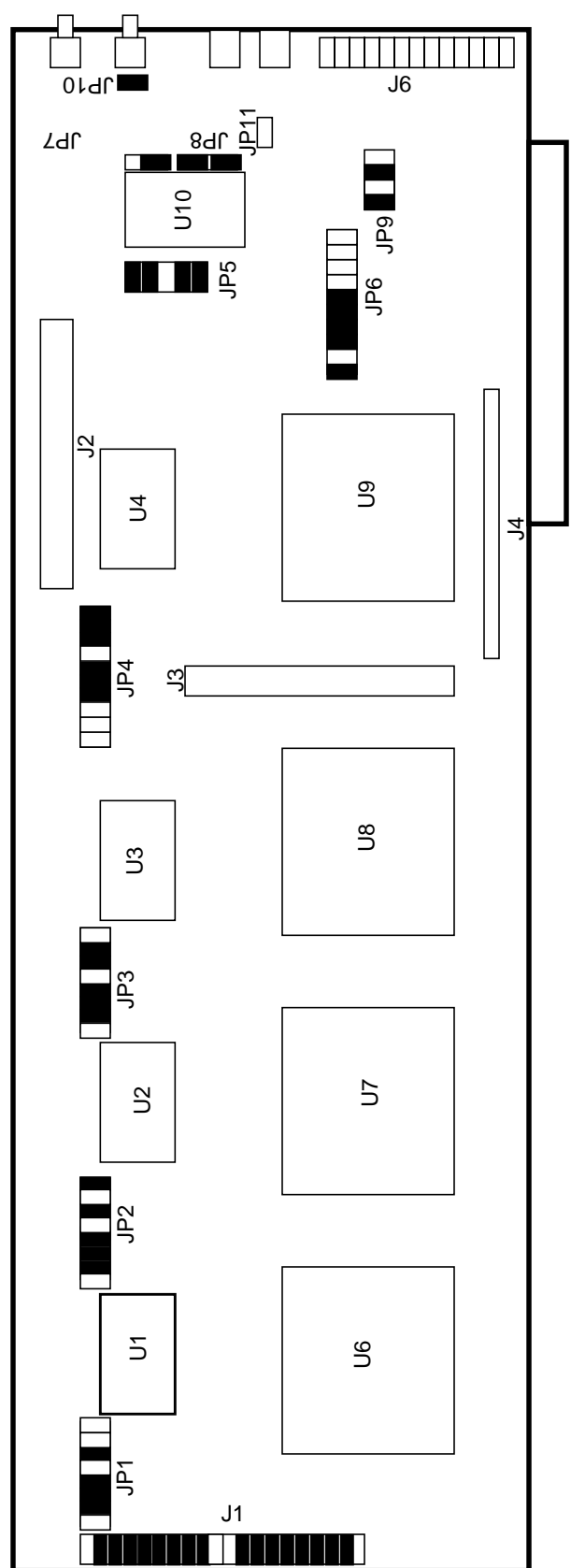
LOCATION	SETTING
JP4	9-10
JP4	11-12
JP4	13-14
The JP4 jumpers set the control signals, such as chip enables, output enables, and chip select controls for the ACTEL and HSP50215 for Channel 1	
JP5	1-2
JP5	3-4
JP5	7-8
JP5	9-10
The JP5 jumpers set the SYNC controls, bringing SYNCOUT to the output connector and routing the SYNCOUT of channel 1 HSP50215 to the SYNCIN on all channels (HSP50215's) on the board. The remaining jumpers add additional output signal resolution to the output connector, J2.	
JP6	9-10
JP6	11-12
JP6	13-14
JP6	15-16
JP6	17-18
JP6	19-20
The JP6 jumpers set the card address to 110000 and connecting the card decode to the board circuitry.	
JP7	2-3
JP7 sets the clocking configuration to be from the on board crystal oscillator.	
JP8	1-2
JP8	3-4
The JP8 jumpers connect the selected clock to the on board clock drivers and connect one driver output to the output connector, J2.	
JP9	1-2
JP9	5-6
The JP9 jumpers set the control to be from the ISAbus rather than from the parallel port interface	
JP10	1-2
The JP10 jumper terminates an external clock input in 50Ω. While this jumper is set, no external clock is used in the standard configuration (see jumper JP7)	
JP11	1-2
The JP11 jumper connects the 12V from the ISAbus interface, which is regulated down to the -5V required for the -V <sub>EE</sub> onboard, to the board -V <sub>EE</sub> runs.	

# HSP50215EVAL

Evaluation Board Layout Showing Jumper Configuration for ISAbus Configuration.



Evaluation Board Layout Showing Jumper Configuration for Parallel Bus Configuration.



**Appendix C - Connector Pin Assignments**

**J1 CONNECTOR PIN ASSIGNMENTS**

PIN	SIGNAL	PIN	SIGNAL
1	N/C	21	NC
2	GND	22	GND
3	CAS15	23	CAS7
4	GND	24	GND
5	CAS14	25	CAS6
6	GND	26	GND
7	CAS13	27	CAS5
8	GND	28	GND
9	CAS12	29	CAS4
10	GND	30	GND
11	CAS11	31	CAS3
12	GND	32	GND
13	CAS10	33	CAS2
14	GND	34	GND
15	CAS9	35	CAS1
16	GND	36	GND
17	CAS8	37	CAS0
18	GND	38	GND
19	CONNINCLK	39	CASSYNC2
20	GND	40	GND

**J2 CONNECTOR PIN ASSIGNMENTS**

PIN	SIGNAL	PIN	SIGNAL
1	N/C	21	NC
2	GND	22	GND
3	OUT4_15	23	OUT4_7
4	GND	24	GND
5	OUT4_14	25	OUT4_6
6	GND	26	GND
7	OUT4_13	27	OUT4_5
8	GND	28	GND
9	OUT4_12	29	OUT4_4
10	GND	30	GND
11	OUT4_11	31	OUT4_3
12	GND	32	GND
13	OUT4_10	33	OUT4_2
14	GND	34	GND
15	OUT4_9	35	OUT4_1
16	GND	36	GND
17	OUT4_8	37	OUT4_0
18	GND	38	GND
19	MASTERCLK	39	OPCASSYNC
20	GND	40	GND

**J3 CONNECTOR PIN ASSIGNMENTS**

PIN	SIGNAL	PIN	SIGNAL
1	GND	2	GND
3	A3_0	4	OERAM4
5	FIFOTP_4	6	C4_15
7	CEPULLUP_4	8	C4_14
9	SYMBLCLK_4	10	C4_13
11	WR215_4	12	C4_12
13	OE215_4	14	C4_11
15	RESET4	16	C4_10
17	GND	18	GND
19	DU4A9	20	C4_9
21	DU4A8	22	C4_8
23	DU4A7	24	C4_7
25	DU4A6	26	C4_6
27	DU4A5	28	C4_5
29	DU4A4	30	C4_4
31	DU4A3	32	C4_3
33	DU4A2	34	C4_2
35	DU4A1	36	C4_1
37	DU4A0	38	C4_0
39	GND	40	GND

**J4 CONNECTOR PIN ASSIGNMENTS**

PIN	SIGNAL
1	GND
2	A4_16
3	A4_15
4	A4_14
5	A4_13
6	A4_12
7	A4_11
8	A4_10
9	GND
10	A4_9
11	A4_8
12	A4_7
13	A4_6
14	A4_5
15	A4_4
16	A4_3
17	A4_2
18	A4_1
19	A4_0
20	GND

## HSP50215EVAL

### J5 CONNECTOR PIN ASSIGNMENTS

PIN	SIGNAL
1	ANALOG IF
2	GND

### J6 CONNECTOR PIN ASSIGNMENTS

PIN	SIGNAL
1	SMACKL
2	GND

### J7 CONNECTOR PIN ASSIGNMENTS

PIN	SIGNAL
1	-5V <sub>EE</sub>
2	GND

### J8 CONNECTOR PIN ASSIGNMENTS

PIN	SIGNAL
1	SVCC
2	GND

### J9 CONNECTOR PIN ASSIGNMENTS

PIN	SIGNAL	PIN	SIGNAL
1	N/C	1	N/C
2	PCD0	2	N/C
3	PCD1	3	PARWR
4	PCD2	4	PARA
5	PCD3	5	GND
6	PCD4	6	GND
7	PCD5	7	GND
8	PCD6	8	GND
9	PCD7	9	GND
10	NC	10	GND
11	STAT	11	GND
12	N/C	12	GND
13	N/C	13	GND

### J10 CONNECTOR PIN ASSIGNMENTS

PIN	SIGNAL	PIN	SIGNAL
1	-IOCHK	32	GND
2	D7	33	RESDRV
3	D6	34	+5V
4	D5	35	IRQ9
5	D4	36	-5V
6	D3	37	DREQ2
7	D2	38	-12V
8	D1	39	-0WS
9	D0	40	+12V
10	IOCHRDY	41	GND
11	AEN	42	-SMEMW
12	A19	43	-SMEMR
13	A18	55	-IOW
14	A17	45	-IOR
15	A16	46	-DACK3
16	A15	47	DREQ3
17	A14	48	-DACK1
18	A13	49	DREQ1
19	A12	50	-REFSH
20	A11	51	SYSCLK
21	A10	52	IRQ7
22	A9	53	IRQ6
23	A8	54	IRQ5
24	A7	55	IRQ4
25	A6	56	IRQ3
26	A5	57	-DACK2
27	A4	58	TC
28	A3	59	ALE
29	A2	60	+5V
30	A1	61	14.3MHz
31	A0	62	GND



**Appendix D - Test Header Pin Assignments**

**JP1 TEST HEADER PIN ASSIGNMENTS**

PIN	SIGNAL	DESCRIPTION	PIN	SIGNAL	DESCRIPTION
1	GND	Ground	2	CSEL0_1	CSEL0_1
3	GND	Ground	4	CSEL1_1	CSEL1_1
5	GND	Ground	6	CSEL2_1	CSEL2_1
7	GND	Ground	8	Unused	Unused
9	GND	Ground	10	ACTELEN_1	ACTEL ENABLE FOR U6
11	GND	Ground	12	OEPULLUP_1	OUTPUT ENABLE PULLUP U1
13	GND	Ground	14	CEPULLUP_1	CHIP ENABLE U1 PULLUP_1
15	GND	Ground	16	FIFOTP_1	FIFO TEST POINT U1

**JP2 TEST HEADER PIN ASSIGNMENTS**

PIN	SIGNAL	DESCRIPTION	PIN	SIGNAL	DESCRIPTION
1	GND	Ground	2	CSEL0_2	CSEL0_2
3	GND	Ground	4	CSEL1_2	CSEL1_2
5	GND	Ground	6	CSEL2_2	CSEL2_2
7	GND	Ground	8	Unused	Unused
9	GND	Ground	10	ACTELEN_2	ACTEL ENABLE FOR U7
11	GND	Ground	12	OEPULLUP_2	OUTPUT ENABLE PULLUP U2
13	GND	Ground	14	CEPULLUP_2	CHIP ENABLE U2 PULLUP_1
15	GND	Ground	16	FIFOTP_2	FIFO TEST POINT U2

**JP3 TEST HEADER PIN ASSIGNMENTS**

PIN	SIGNAL	DESCRIPTION	PIN	SIGNAL	DESCRIPTION
1	GND	Ground	2	CSEL0_3	CSEL0_3
3	GND	Ground	4	CSEL1_3	CSEL1_3
5	GND	Ground	6	CSEL2_3	CSEL2_3
7	GND	Ground	8	Unused	Unused
9	GND	Ground	10	ACTELEN_3	ACTEL ENABLE FOR U8
11	GND	Ground	12	OEPULLUP_3	OUTPUT ENABLE PULLUP U3
13	GND	Ground	14	CEPULLUP_3	CHIP ENABLE U3 PULLUP_1
15	GND	Ground	16	FIFOTP_3	FIFO TEST POINT U3

**JP4 TEST HEADER PIN ASSIGNMENTS**

PIN	SIGNAL	DESCRIPTION	PIN	SIGNAL	DESCRIPTION
1	GND	Ground	2	CSEL0_4	CSEL0_4
3	GND	Ground	4	CSEL1_4	CSEL1_4
5	GND	Ground	6	CSEL2_4	CSEL2_4
7	GND	Ground	8	Unused	Unused
9	GND	Ground	10	ACTELEN_4	ACTEL ENABLE FOR U9
11	GND	Ground	12	OEPULLUP_4	OUTPUT ENABLE PULLUP U4
13	GND	Ground	14	CEPULLUP_4	CHIP ENABLE U4 PULLUP_1
15	GND	Ground	16	FIFOTP_4	FIFO TEST POINT U4

## HSP50215EVAL

### JP5 TEST HEADER PIN ASSIGNMENTS

PIN	SIGNAL	DESCRIPTION	PIN	SIGNAL	DESCRIPTION
1	OUT4_1	2ND TO LSB OF OUTPUT OF CHANNEL 1 OUTPUT	2	OPOUT1	OUTPUT LSB+1
3	OUT4_0	LSB OF OUTPUT OF CHANNEL Q OUTPUT	4	OPOUT0	OUTPUT LSB
5	CASSYNC	OFF BOARD (J1) SYNC DRIVER INPUT AND SYNCIN/SYNCOUT JUMPER POINTS	6	OPCASSYNC	CASCADE SYNC OUTPUT ON OUTPUT CONNECTOR J2
7	SYNCIN	HSP50215 SYNCIN INPUT FOR CHANNELS 1, 2, 3, AND 4	8	U11-11 AND JP5-8, 10	OFF BOARD (J1) SYNC DRIVER INPUT AND SYNCIN/SYNCOUT JUMPER POINTS
9	SYNCOUT	SYNCOUT OUTPUT FROM CHANNEL 1 HSP50215 AS SOURCE FOR SYNC SIGNAL	10	U11-2, 4, 6, 8	OFF BOARD (J1) SYNC DRIVER INPUT AND SYNCIN/SYNCOUT JUMPER POINTS

### JP6 TEST HEADER PIN ASSIGNMENTS

PIN	SIGNAL	DESCRIPTION	PIN	SIGNAL	DESCRIPTION
1	GND	CHIPSELECT	2	GROUND	CHIPSELECT HARDWIRE ZERO
3	GND	UNUSED	4	GROUND	UNUSED
5	GND	PULLUP AND ISA CARD ADDRESS DECODE BIT 9 (MSB)	6	GROUND	CARD ADDRESS HARDWIRE ZERO
7	GND	PULLUP AND ISA CARD ADDRESS DECODE BIT 8	8	GROUND	CARD ADDRESS HARDWIRE ZERO
9	GND	PULLUP AND ISA CARD ADDRESS DECODE BIT 7	10	GROUND	CARD ADDRESS HARDWIRE ZERO
11	GND	PULLUP AND ISA CARD ADDRESS DECODE BIT 6	12	GROUND	CARD ADDRESS HARDWIRE ZERO
13	GND	PULLUP AND ISA CARD ADDRESS DECODE BIT 5	14	GROUND	CARD ADDRESS HARDWIRE ZERO
15	GND	PULLUP AND ISA CARD ADDRESS DECODE BIT 4	16	GROUND	CARD ADDRESS HARDWIRE ZERO
17	GND	PULLUP AND ISA CARD ADDRESS DECODE ENABLE BIT	18	GROUND	CARD ADDRESS HARDWIRE ZERO
19	GND	ISA CARD DECODE	20	U23- 4, 5, 9 AND 12	ENABLE FOR ISABUS READ, WRITE AND DATA BUS

### JP7 TEST HEADER PIN ASSIGNMENTS

PIN	SIGNAL	DESCRIPTION
1	SMACLK	J3 SMA CLOCK INPUT
2	OSCLK	CLOCK SELECTION, OUTPUT
3	CRYSTALCLK	CRYSTAL CLOCK OUTPUT

### JP8 TEST HEADER PIN ASSIGNMENTS

PIN	SIGNAL	DESCRIPTION
1	OSCLK	SELECTED CLOCK SOURCE
2	DU3A9	CLOCK DRIVER INPUT
3	J2-17	OUTPUT CONNECTOR PIN 17
4	MASTERCLK	MASTER CLOCK OUTPUT

## HSP50215EVAL

### JP9 TEST HEADER PIN ASSIGNMENTS

PIN	SIGNAL	DESCRIPTION	PIN	SIGNAL	DESCRIPTION
1	GND	ISA INPUT ADDRESS	2	A	ADDRESS
3	PARA	PARALLEL INPUT ADDRESS	4	A	ADDRESS
5	LIOW	ISA INPUT WRITE	6	WR	WRITE
7	PARWR	PARALLEL INPUT WRITE	8	WR	WRITE

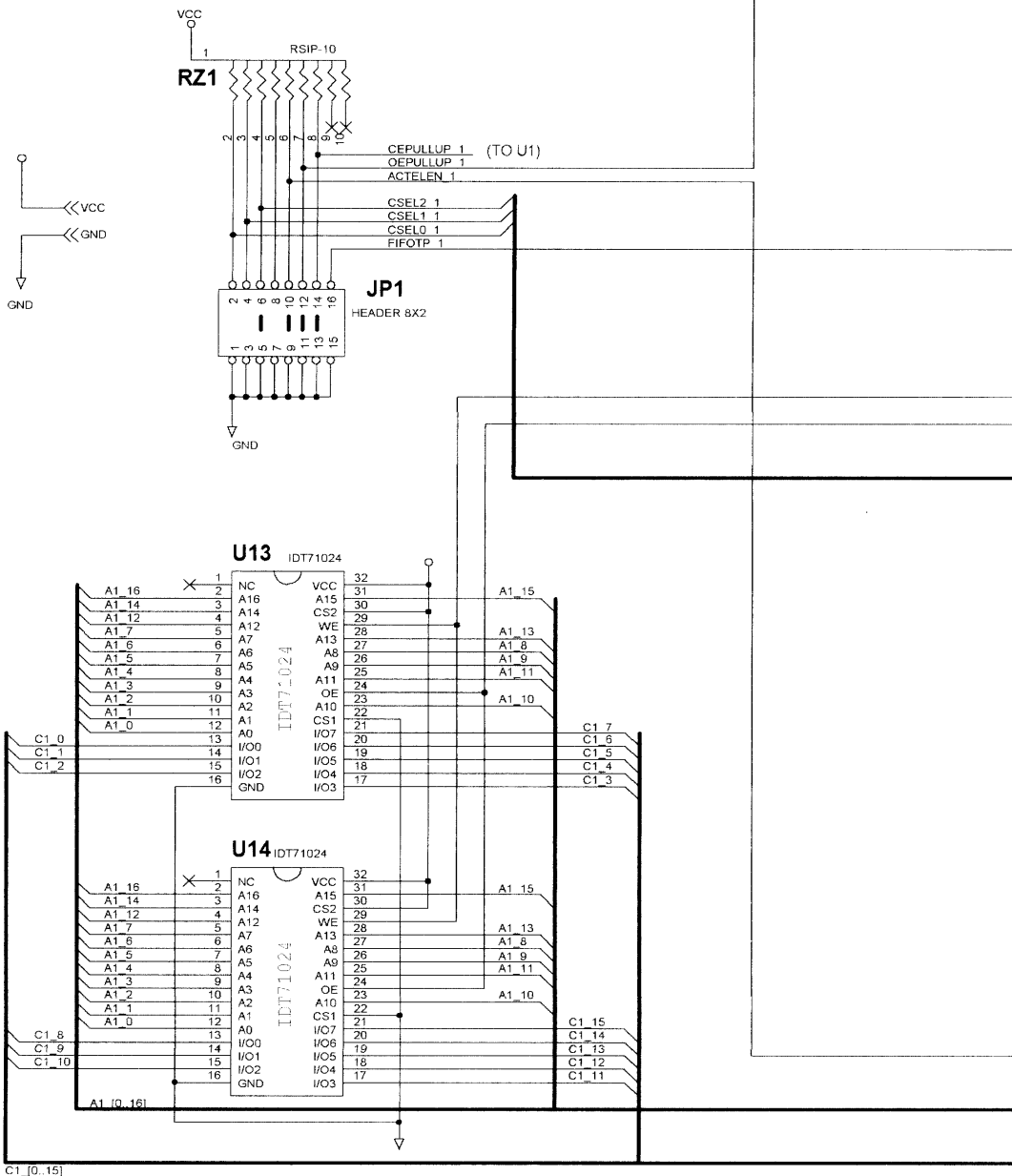
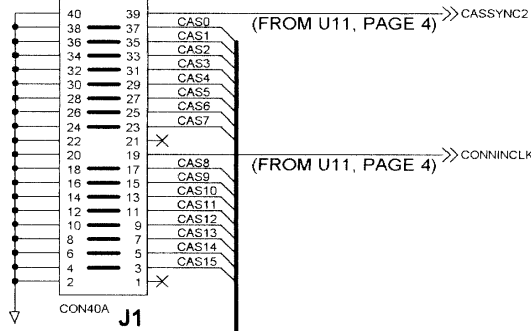
### JP10 TEST HEADER PIN ASSIGNMENTS

PIN	SIGNAL	DESCRIPTION
1	SMACK	J3 SMA CLOCK INPUT
2	50Ω - GND	TERMINATION RESISTOR

### JP11 TEST HEADER PIN ASSIGNMENTS

PIN	SIGNAL	DESCRIPTION	PIN	SIGNAL	DESCRIPTION
1	REGULATED -5.2V	REGULATED -5.2V SOURCED FROM ISA BUS INTERFACE	2	CARD -V <sub>EE</sub>	-V <sub>EE</sub>

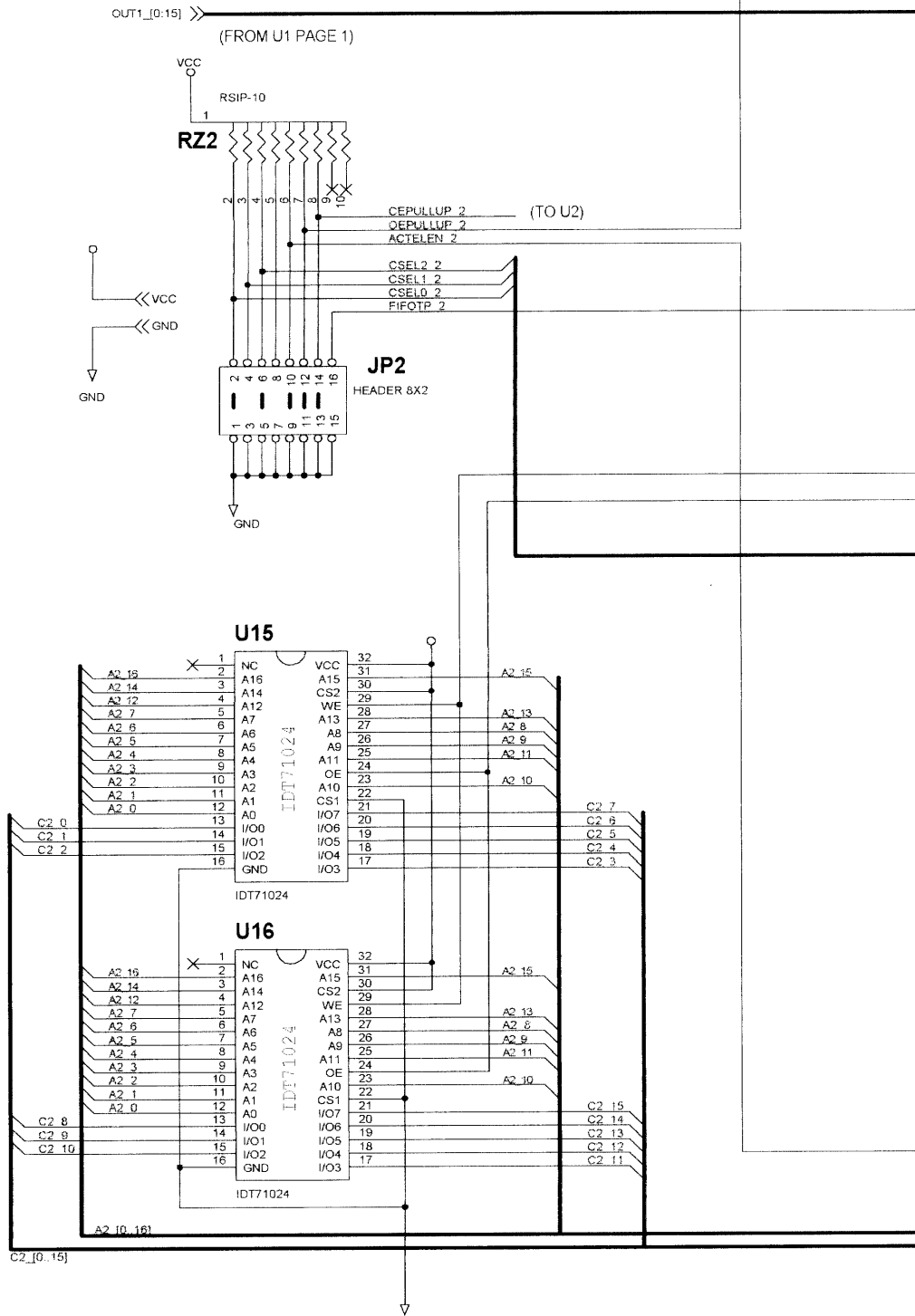
4TH MODULATOR  
CHANNEL  
CASCADE INPUT  
CONNECTOR







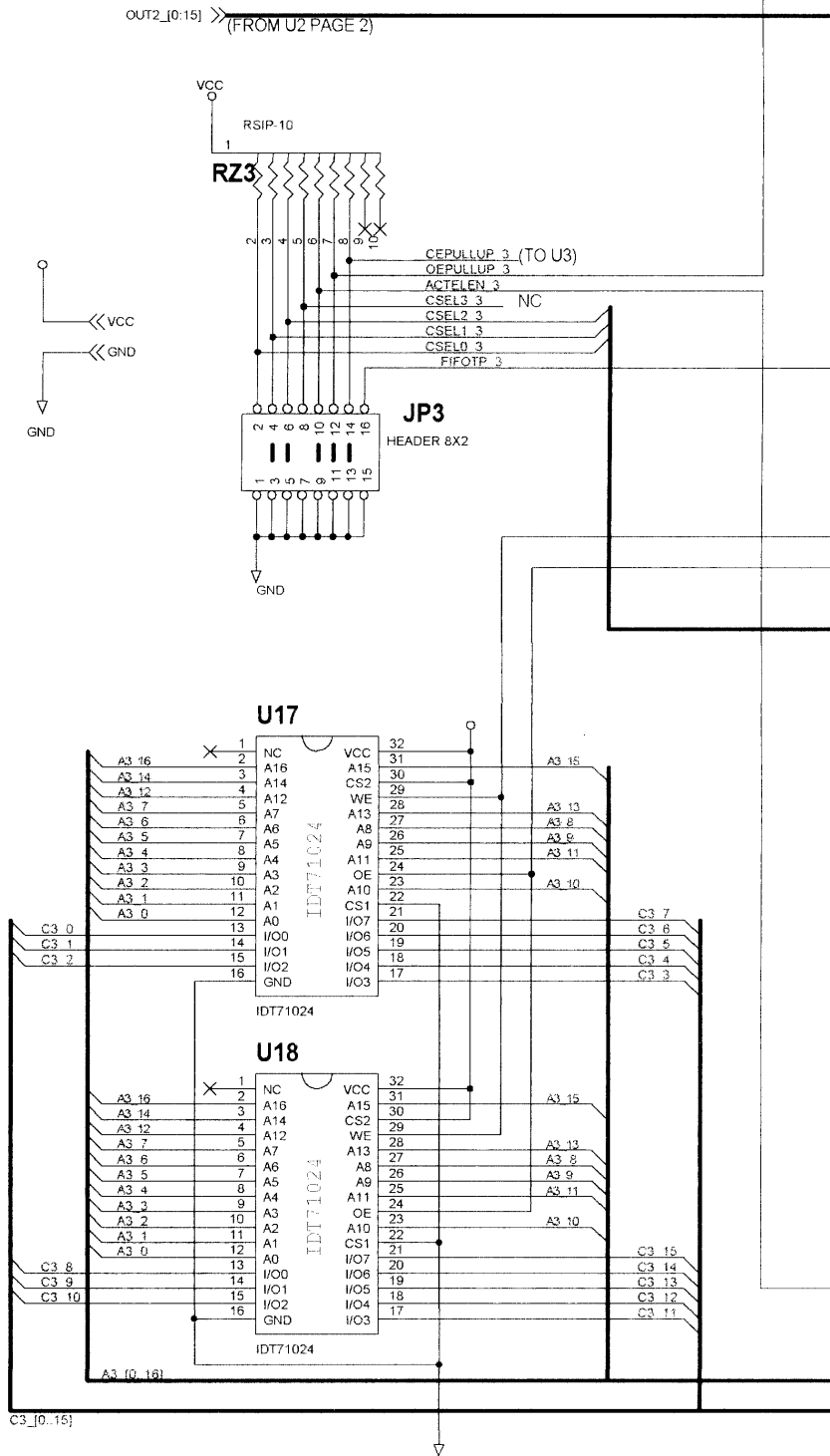
CHANNEL 3 CASCADE INPUT IS CHANNEL 4 MODULATOR OUTPUT



Appendix E - Detailed Schematics (Continued)

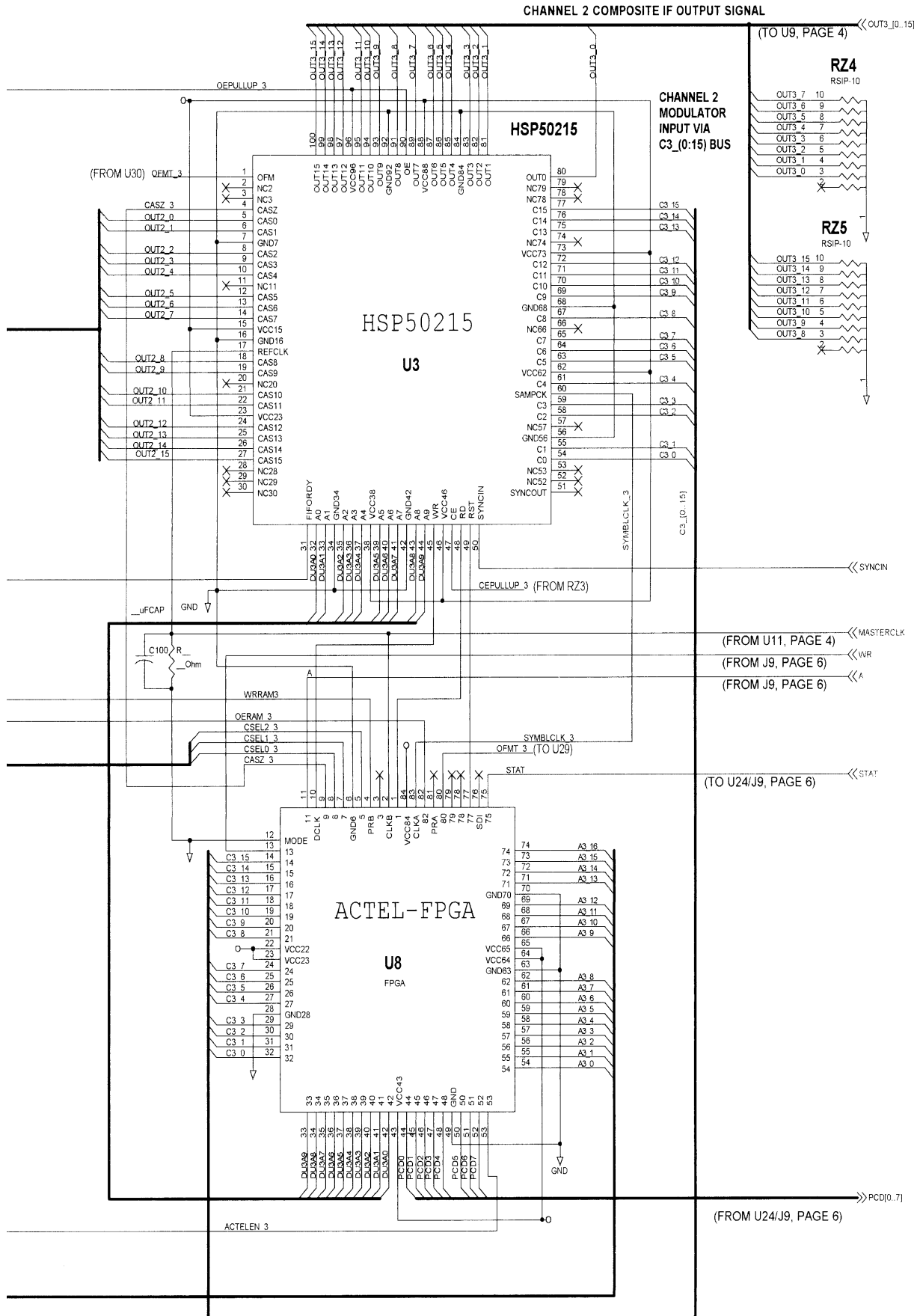


CHANNEL 2 CASCADE INPUT IS CHANNEL 3 MODULATOR OUTPUT



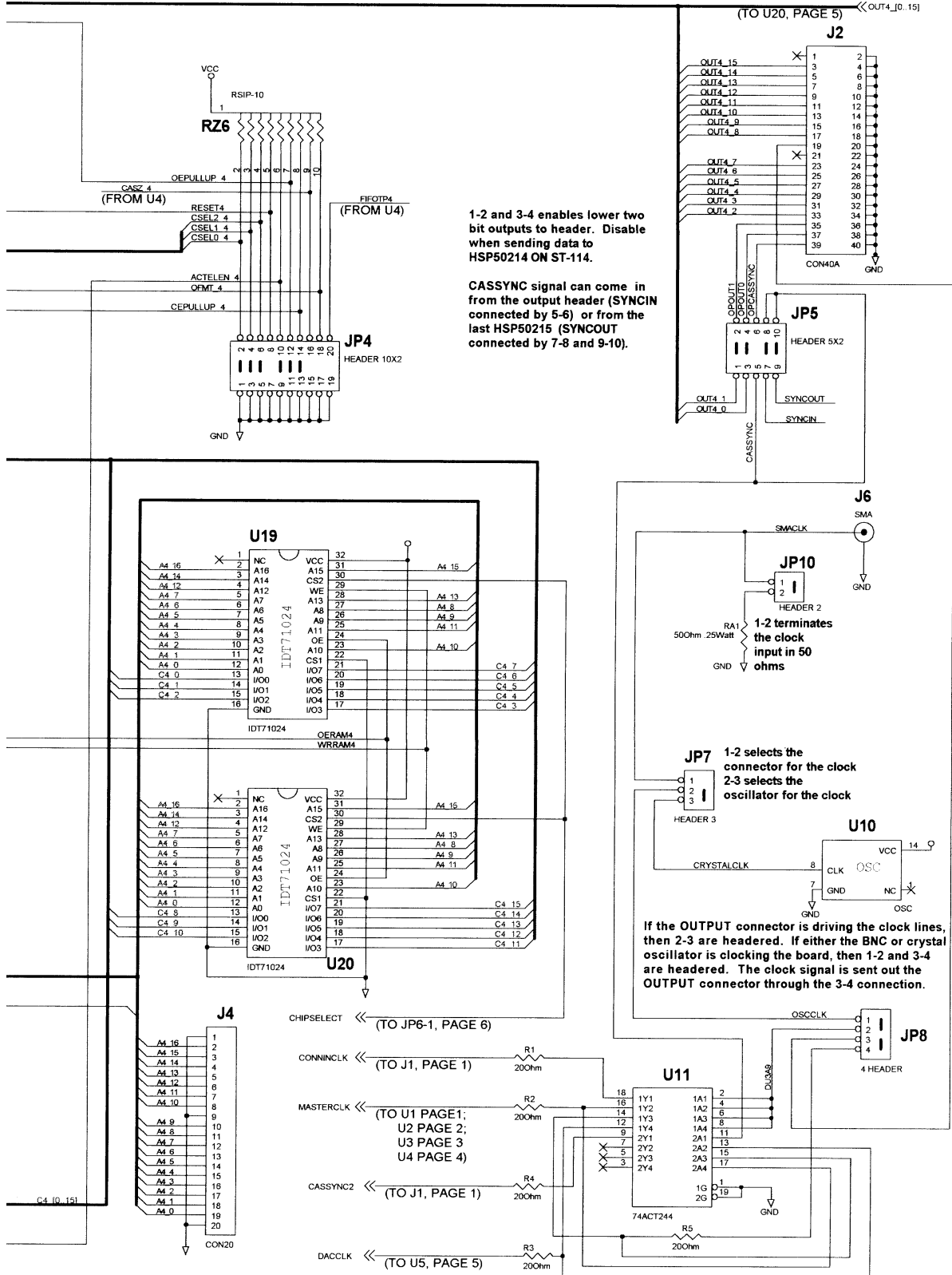
Appendix E - Detailed Schematics (Continued)

# HSP50215EVAL





CHANNEL 1 COMPOSITE IF OUTPUT SIGNAL  
(TO U20, PAGE 5) << OUT4\_10..15]



1-2 and 3-4 enables lower two bit outputs to header. Disable when sending data to HSP50214 ON ST-114.

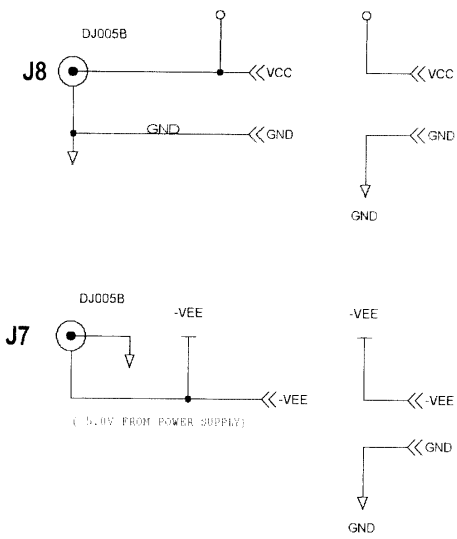
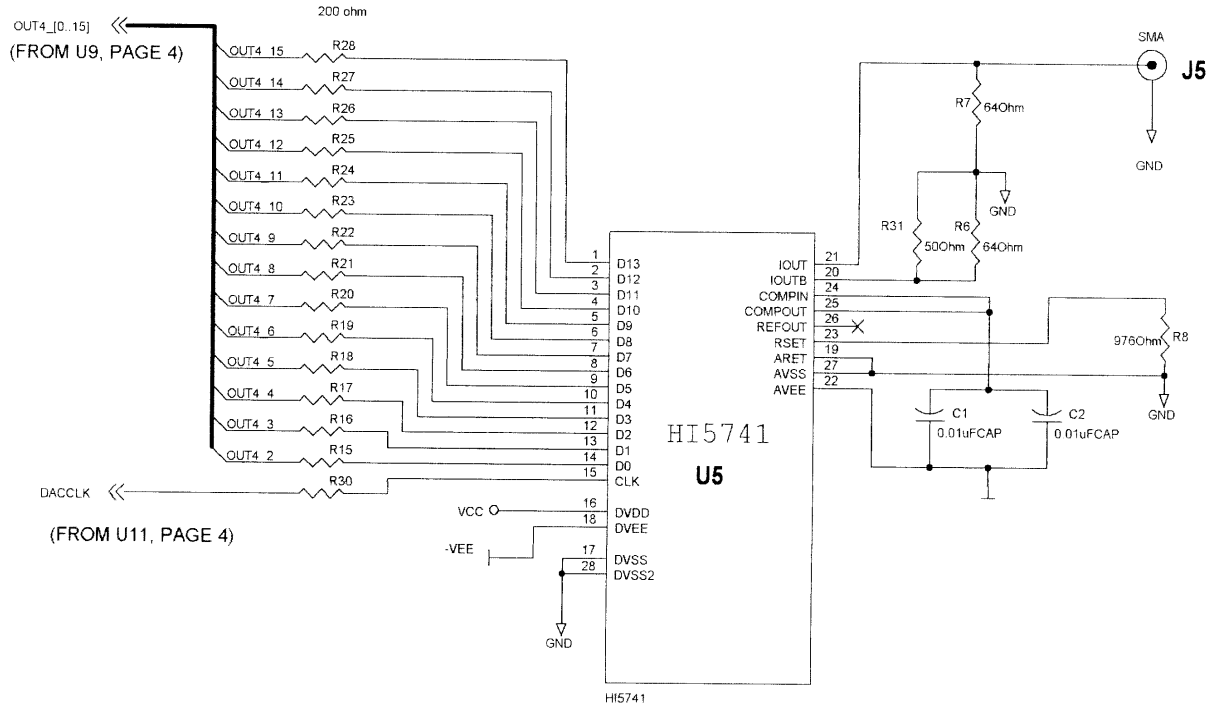
CASSYNC signal can come in from the output header (SYNCIN connected by 5-6) or from the last HSP50215 (SYNCOUT connected by 7-8 and 9-10).

1-2 terminates the clock input in 50 ohms

1-2 selects the connector for the clock  
2-3 selects the oscillator for the clock

If the OUTPUT connector is driving the clock lines, then 2-3 are headered. If either the BNC or crystal oscillator is clocking the board, then 1-2 and 3-4 are headered. The clock signal is sent out the OUTPUT connector through the 3-4 connection.

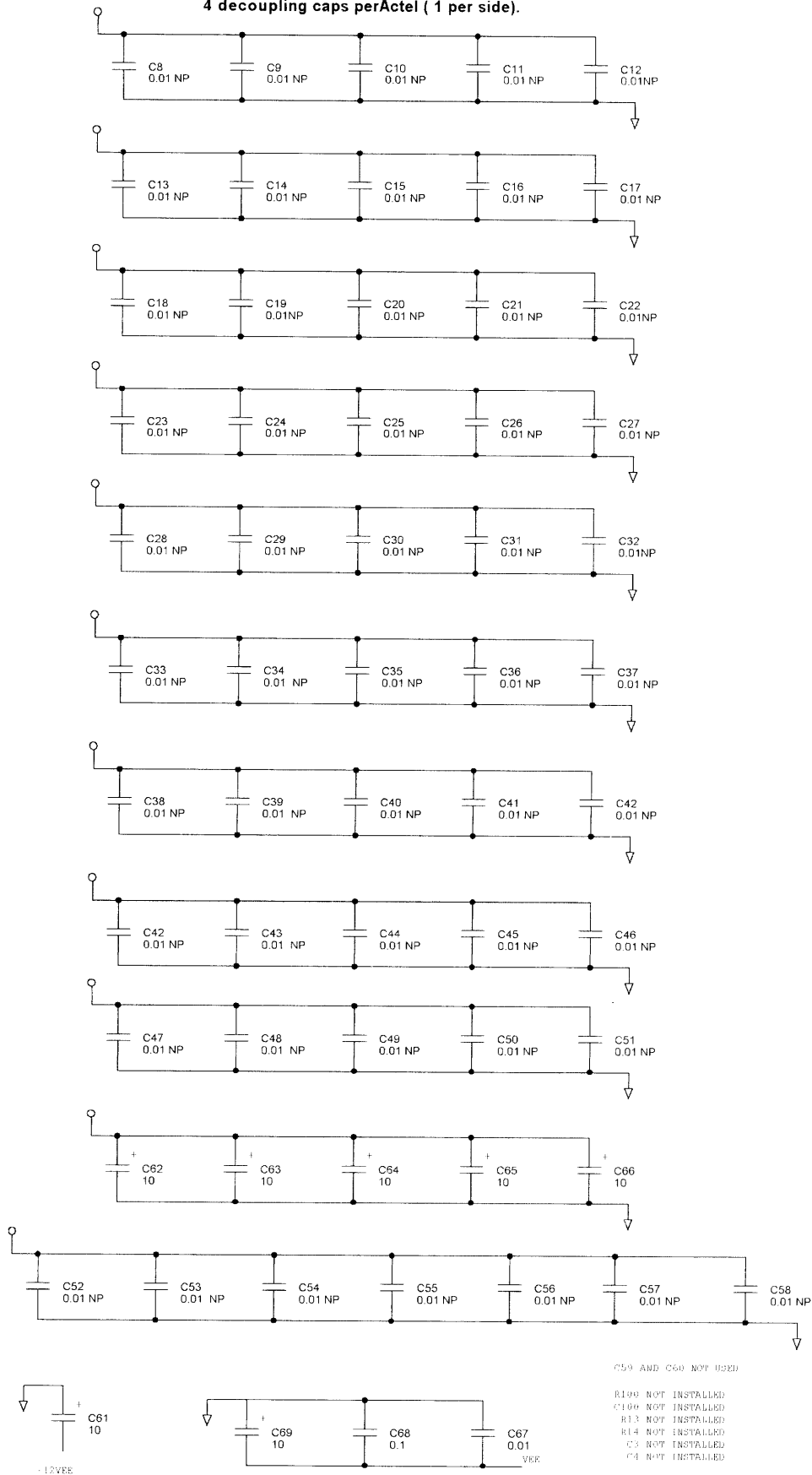
Appendix E - Detailed Schematics (Continued)

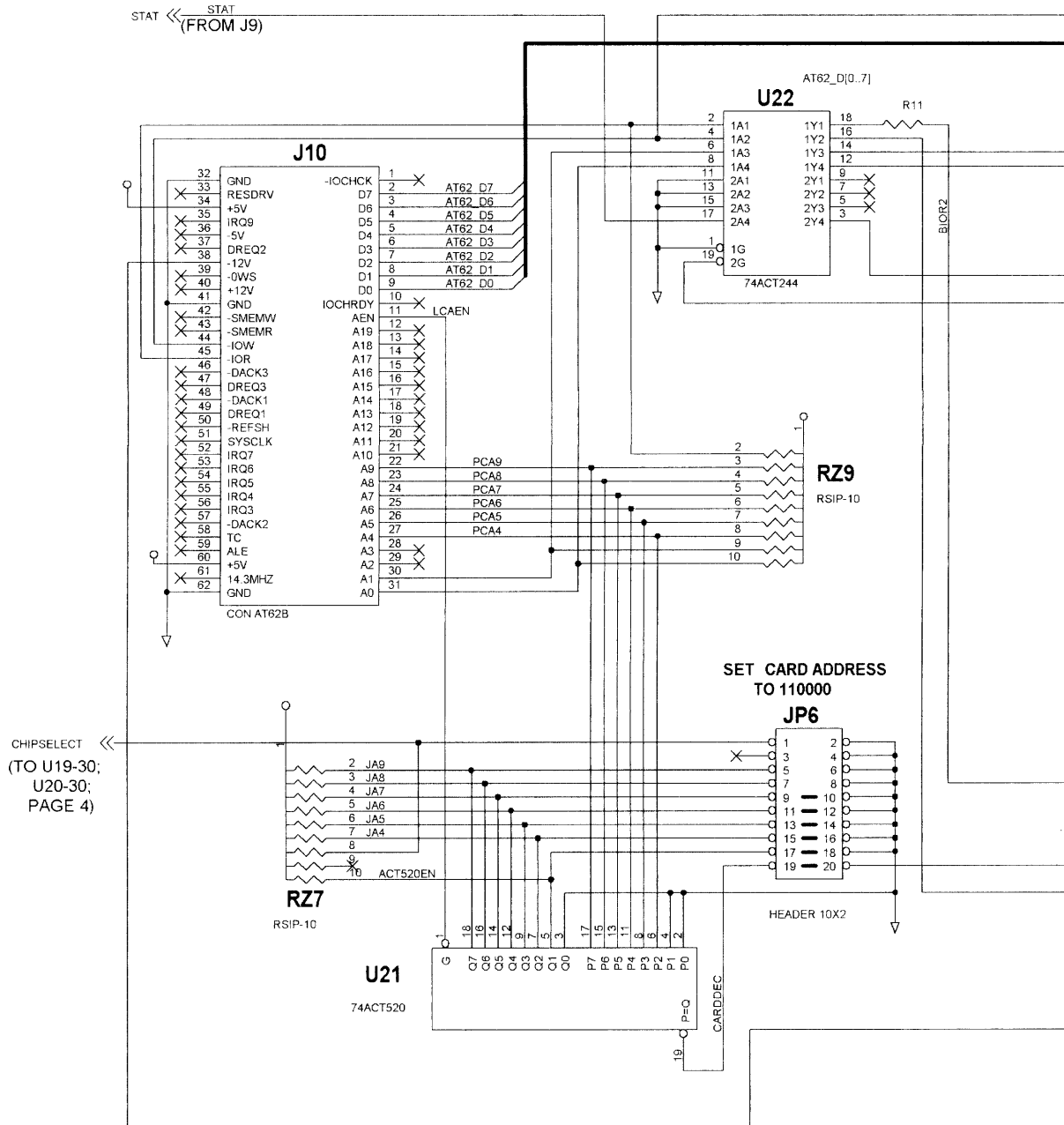


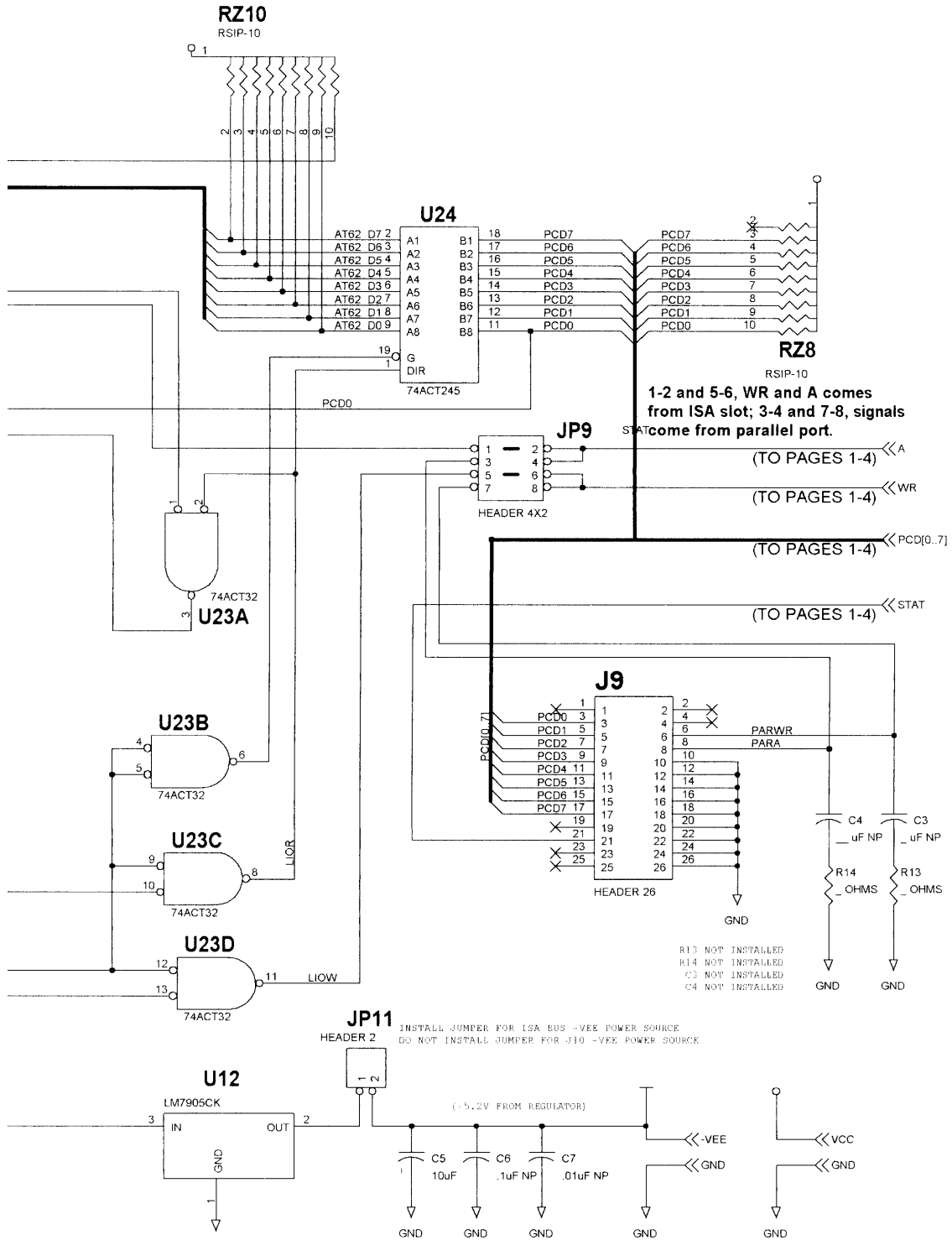
Appendix E - Detailed Schematics (Continued)



4 decoupling caps per Actel ( 1 per side).







# HSP50215EVAL

## Appendix F - Parts List

INTERSIL CORPORATION			HSP50215EVAL REV B			REV. B 3/23/98
LINE ITEM	QTY PER PCB	REFERENCE DESIGNATOR	DESCRIPTION	PKG	MANUFACTURER	MANUFACTURER'S PART #
1	4	U1-U4	DIGITAL UPCONVERTER	100 MQFP	Intersil	HSP50215VC
2	8	U13 - U20	1 MBIT STATIC RAM	32 SOJ	IDT	IDT71024S15TY
3	4	U6 - U9	FPGA	84 PLCC	ACTEL	A1225XL-PL84C
4	4	REF U6-U9	Label to read on FPGA: HSP50215 FPGA REV A			
5	1	U5	14-BIT D/A	28 SOIC	Intersil	HI5741BIB
6	3	JP1 - JP3	HEADER 2 x 8	2 x 8	QPL/SULLINS	PTC8DAAN
6A	1	J9	HEADER 2 x 13, SHROUDED	2 x 13	CIRCUIT ASSEMBLY CORP	CA-28HL-1C
7	2	JP4, 6	HEADER 2 x 10	2 x 10	QPL/SULLINS	PTC10DAAN
8	1	JP9	HEADER 2 x 4	2 x 4	QPL/SULLINS	PTC4DAAN
9	2	JP10, 11	HEADER 1 x 2	1 x 2	QPL/SULLINS	PTC2SAAN
10	1	JP7	HEADER 1 x 3	1 x 3	QPL/SULLINS	PTC35SAAN
11	1	JP8	HEADER 1 x 4	1 x 4	QPL/SULLINS	PTC4SAAN
12	1	J4	HEADER 1 x 20	1 x 20	QPL/SULLINS	PTC20SAAN
13	1	JP5	HEADER 2 x 5	2 x 5	QPL/SULLINS	PTC5DAAN
14	3	J1, J2, J3	HEADER 2 X 20	2 x 20	QPL/SULLINS	PTC20DAAN
15	10	RZ - RZ10	22K RPACK TO PIN SM SIP	10 PIN SIP	PANASONIC	EXB-H110223J
16	1	XU10	14 PIN SOCKET	SOCKET	QPL/AUGAT	814-AG11D
17	1	U10	XTAL OSC 50MHz	14 DIP	QPL/CTS	MX-45T-50,000
18	1	U21	IC	20 SOIC	NATIONAL	74ACT520SC
19	1	U23	IC	14 SOIC	Intersil	74ACT32M
20	1	U24	IC	20 SOIC	Intersil	74ACT245M
21	2	U11, U22	IC	20 SOIC	Intersil	74ACT244M
22	1	U12	VOLT, REGULATOR -5.2V	TO220	NATIONAL SEMI	LM29905-5.2
23	1	C6	CAPACITOR, SM 0.1μF	1210	QPL/PANASONIC	ECH-U1C104JB5
24	8	C5, 61 - 66, 69	CAPACITOR, 10μF	RADIAL	QPL/MALLORY	TDC106M025NSF
25	58	C1, 2, 7-60, 67, 68	CAPACITOR, SM, 0.01μF	1206	QPL/PANASONIC	ECH-U1C103JB5
26	2	R6, 7	RESISTOR, SM, 62Ω	1210	QPL/PANASONIC	ERJ-14YJ62
27	1	R8	RESISTOR, SM 910Ω	1210	QPL/PANASONIC	ERJ-14YJ910
28	6	R1 - 5, 11	RESISTOR, SM 20Ω	1210	QPL/PANASONIC	ERJ-14YJ20
29	2	RA1, R31	RESISTOR, SM 50Ω	1210	QPL/PANASONIC	ERJ-14YJ50
30	2	J5, 6	ANGLE PCB MOUNT		AMPHONEL/DIGIKEY	ARF1232-ND
31	50		SHORTING JUMPERS		QPL/SULLINS	STC02SYAN
32	2	J7, 8	DJ0058 POWER PLUG		QPL/LZR	RL30B
33	2		CABLE, DC10B		QPL/LZR	DC10B
34	15	R15-28, 30	RESISTOR, SM, 200Ω	1206	QPL/PANASONIC	ERJ-8GEYJ200
35	1		RIBBON CABLE W/CONN		DIGLKEY	M1AXA-2636R-ND
36	1		CONNECTOR, 25D, IDC		QPL/3M	8225-6000
37		C3, C4, C100, R9, R10, R12 - 14, R29, R100	OPTIONAL PARTS FOR PARALLEL CONTROL			
38	1	TBD	BOLT			
39	1	TBD	WASHER			
	1	TBD	NUT			
41	1		PWB			
42	1		DISKETTE			
43	1		MANUAL			
40	1		STATIC BAG			
44	1		BOX			

**Appendix G - Descriptive File List**

**PC PROGRAM**

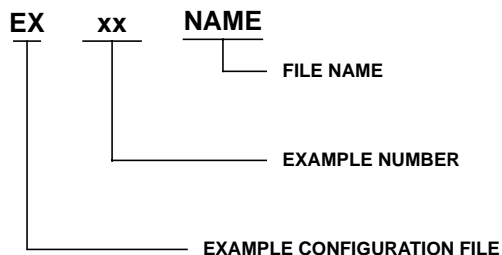
FILE	DESCRIPTION
HSP50215.EXE	HSP50215EVAL CONTROL SOFTWARE PROGRAM

**MISCELLANEOUS**

FILE	DESCRIPTION
EXxxname.CFG	EXAMPLE CONFIGURATION FILES
filename.IMP	REFERENCE EXAMPLE FILTER FILES
filename.IMP	REFERENCE EXAMPLE STIMULUS FILES

**Example Configuration Files**

The example configuration files are located in the EXAMPLES subdirectory. Load the desired example configuration file using menu item 5 in the main menu. The naming convention for the example configuration files is:



**File Name: EX01QPSK**

Description:

This example illustrates high dynamic range QPSK modulation. It is similar to IS136, but with a continuous 511 sample long PN sequence and QPSK modulation instead of Pi/4DQPSK modulated in bursts. The filter is a square root of raised cosine with a = 0.35. The channel spacing is 120kHz with one unoccupied channel. With the supplied 50MHz oscillator, the maximum input sample rate supported by this configuration is 195,312.5Hz.

**EX01QPSK EXAMPLE CONFIGURATION FILE**

	Channel 1	Channel 2	Channel 3	Channel 4
Filter file:	IS136B	IS136B	IS136B	IS136B
IP / DS:	16 / 16	16 / 16	16 / 16	16 / 16
Center Frequency:	4000000	4120000	4240000	4480000
Input Sample Rate:	24300	24300	24300	24300
Stimulus File:	QPSKPN	QPSKPN	QPSKPN	QPSKPN

**File Name: EX02GMSK**

Description:

This is an example of GMSK using the FM with pre-filter. The BT product is 0.3 (GSM). The input sample rate is 270.833kHz. The data is a 511 sample PN. The PN codes for channels 2 and 4 are pre-coded to give the proper data when demodulated as OQPSK at 135.417 kbaud. When using this configuration with bursts for GSM, it does not support guard times of less than full data bit periods due to that input sample rate. To generate guard times with quarter bit resolution, the input sample rate must be increased to 4x270833. The channel spacing is 800kHz with one unoccupied channel. With the supplied 50MHz oscillator, the maximum input sample rate supported by this configuration is 625,000Hz.

**EX02GMSK EXAMPLE CONFIGURATION FILE**

	Channel 1	Channel 2	Channel 3	Channel 4
Filter file:	GS5T16X	GS5T16X	GS5T16X	GS5T16X
IP / DS:	16 / 5	16 / 5	16 / 5	16 / 5
Center Frequency:	3200000	4000000	4800000	6400000
Input Sample Rate:	270833.333	270833.333	270833.333	270833.333
Stimulus File:	GMSKPN	GMSKPN-PC	GMSKPN	GMSKPN-PC

**File Name: EX03QPSK**

Description:

This is a lower dynamic range QPSK example. This filter is a slightly modified version of the IS95 coefficient set. The stimulus is a 511 PN sequence on I and Q. The channel spacing is 1.25 times the symbol rate. With the supplied 50MHz oscillator, the maximum input sample rate supported by this configuration is 1.041667MHz.

**EX03QPSK EXAMPLE CONFIGURATION FILE**

	Channel 1	Channel 2	Channel 3	Channel 4
Filter file:	IS95MOD	IS95MOD	IS95MOD	IS95MOD
IP / DS:	4 / 12	4 / 12	4 / 12	4 / 12
Center Frequency:	4000000	4768000	5536000	6304000
Input Sample Rate:	614400	614400	614400	614400
Stimulus File:	QPSKPN	QPSKPN	QPSKPN	QPSKPN

**File Name: EX04QAM**

Description:

This file demonstrates 16QAM modulation. The filter is a square root of raised cosine response ( $\alpha = 0.2$ ). The stimulus file is 511 PN codes on each data bit. The channel spacing is 1.5 times the symbol rate. With the supplied 50MHz oscillator, the maximum input sample rate supported by this configuration is 1.041667MHz.

**EX04QAM EXAMPLE CONFIGURATION FILE**

	Channel 1	Channel 2	Channel 3	Channel 4
Filter file:	RRC2A4X	RRC2A4X	RRC2A4X	RRC2A4X
IP / DS:	4 / 12	4 / 12	4 / 12	4 / 12
Center Frequency:	4000000	4768000	5536000	6304000
Input Sample Rate:	512000	512000	512000	512000
Stimulus File:	16QAMPN	16QAMPN	16QAMPN	16QAMPN

**File Name: EX05QPSK**

Description:

This is an example of a higher rate QPSK modulator for applications such as Satellite Communication. The filter is a square root of raised cosine response  $\alpha = 0.35$ . The filter impulse response is short to support higher data rates. For lower data rates, the filter in EX01QPSK is recommended. The channel spacing is 1.4 times the symbol rate. With the 50MHz oscillator, the maximum input sample rate for this configuration is 1.5625 MSPS.

**EX05QPSK EXAMPLE CONFIGURATION FILE**

	Channel 1	Channel 2	Channel 3	Channel 4
Filter file:	RRC35A4X	RRC35A4X	RRC35A4X	RRC35A4X:
IP / DS:	4 / 8	4 / 8	4 / 8	4 / 8
Center Frequency:	4000000	4360000	4720000	5080000
Input Sample Rate:	256000	256000	256000	256000
Stimulus File:	QPSKPN	QPSKPN	QPSKPN	QPSKPN

**File Name: EX06QPSK**

Description:

This example is similar to EX01QPSK, but used for co-channel and adjacent channel testing. The desired signal is in channel 2. Channels 1 and 3 are at 1.4 times the symbol rate offsets and +10dB higher than the desired signal. Channel 4 is in the same channel as the desired signal and 10dB lower. The data rates are offset slightly to randomize the phasing of the channels.

**EX06QPSK EXAMPLE CONFIGURATION FILE**

	Channel 1	Channel 2	Channel 3	Channel 4
Filter file:	IS136B	IS136B	IS136B	IS136B
IP / DS:	16 / 16	16 / 16	16 / 16	16 / 16
Center Frequency:	4000000	4034000	4068000	4034000
Input Sample Rate:	24300.2	24300	24300.3	24300.1
Stimulus File:	QPSKPN	QPSKPN	QPSKPN	QPSKPN

**File Name: EX07FM**

Description:

This is an example of analog FM modulation with post-modulation filtering. The filter is a fairly tight low pass design. This is probably tighter than would be necessary or desired for AMPS modulation. The tight filtering introduces some harmonic distortion in the recovered baseband signal. The stimulus files are all 1kHz sine waves at 60ksps with 8, 7, 6, and 8kHz deviations for channels 1-4, respectively. The channel spacing is 120kHz with one channel unoccupied. With the 50MHz oscillator, the maximum input sample rate would be 390.625kHz. At this rate, the modulation would be 6.5kHz sine waves.

**EX07FM EXAMPLE CONFIGURATION FILE**

	Channel 1	Channel 2	Channel 3	Channel 4
Filter file:	AMPS2	AMPS2	AMPS2	AMPS2
IP / DS:	8 / 16	8 / 16	8 / 16	8 / 16
Center Frequency:	4000000	4120000	4240000	4480000
Input Sample Rate:	60000	60000	60000	60000
Stimulus File:	FM1K8K	FM1K7K	FM1K6K	FM1K8K

**File Name: EX08FSK**

Description:

This file is similar to EX07FM but with different stimulus patterns. Channel 1 is modulated with a 10 kbps, Manchester encoded, length 511, PN sequence at a deviation of ±8kHz. Channel 2 through 4 are 1kHz sine waves with deviations of ±3, 4, and 5kHz, respectively.

**EX08FSK EXAMPLE CONFIGURATION FILE**

	Channel 1	Channel 2	Channel 3	Channel 4
Filter file:	AMPS2	AMPS2	AMPS2	AMPS2
IP / DS:	8 / 16	8 / 16	8 / 16	8 / 16
Center Frequency:	4000000	4120000	4240000	4480000
Input Sample Rate:	60000	60000	60000	60000
Stimulus File:	FSKPN	FM1K3K	FM1K4K	FM1K5K

**File Name: EX09TONE**

Description:

This is an example of multi-tone modulation. Each channel modulates 7 tones onto its carrier (8 slots - 1 unoccupied). The tone spacing is 16kHz. With all channels enabled, there is a total of 28 tones. The filter file is slightly wider than the AMPS2 file to pass the tones without attenuating the outer tones. The tones in each channel are phase aligned at zero phase. Due to the pipeline delays in the cascade data path, the four channels will not be phase aligned.

**EX09TONE EXAMPLE CONFIGURATION FILE**

	Channel 1	Channel 2	Channel 3	Channel 4
Filter file:	GP2	GP2	GP2	GP2
IP / DS:	16 / 16	16 / 16	16 / 16	16 / 16
Center Frequency:	4000000	4128000	4256000	4384000
Input Sample Rate:	192000	192000	192000	192000
Stimulus File:	MTONE1	MTONE1	MTONE1	MTONE1

**File Name: EXxxNAME**

Description:

This is a blank table for your own example configuration files.

**EX\_\_\_\_\_ EXAMPLE CONFIGURATION FILE**

	Channel 1	Channel 2	Channel 3	Channel 4
Filter file:				
IP / DS:				
Center Frequency:				
Input Sample Rate:				
Stimulus File:				

**Example Filter Files**

**.IMP File Format**

The .IMP file is an ASCII text file containing filter coefficients or stimulus vectors. An example of the .IMP file format is shown below. This format matches the format used by SIGLAB, a DSP simulation program by the Athena Group Inc. of Gainesville, Florida. In SIGLAB, the first four lines are used for comments, the fifth line for x-axis labels, the sixth line for y-axis labels, and the seventh line contains: t c r, where t is "r" for real data and "c" for complex data, c is the number of columns, and r is the number of rows. In the evaluation board software, the first seven lines are ignored by the program, so all seven lines may be used for comments. The program requires complex sample pairs even if a real signal is modulated (such as in FM). The first sample of the pair is the I data and the second is the Q data. The values of the samples can range from -1.0 to +1.0. When the program reads in the data, it multiplies it by 2<sup>15</sup> and rounds to 16 bits. If the scaled data exceeds the range -32767 to +32767, the program saturates it to those values.

An example of the .IMP file format is shown below:

```

FILTER FOR IS-136 WAVEFORMS
ROOT RAISED COSINE
ALPHA = 0.35, 256 TAPS @ 16X BAUD
DC GAIN = 0.658 (-3.64dBFS)
PEAK COEF = 0.721
MAXIMUM OUTPUT = 1.054 (+0.4dB)
C 2 256
0.000213623          0.000213623
0.000671387          0.000671387
0.000640869          0.000640869
6.10352E-05          6.10352E-05
-0.000640869        -0.000640869
-0.001312256        -0.001312256
-0.001922607        -0.001922607
-0.002410889        -0.002410889
-0.002746582        -0.002746582
-0.002929688        -0.002929688
-0.00289917         -0.00289917
-0.002685547        -0.002685547
    
```

When loading filter coefficients, the program will report an error if the number of samples exceeds the number allowed for the selected IP value.



**File name: IS136B.IMP**

PARAMETER	VALUE
TAPS	256@16x $F_{SAMP}$
IP / DS:	16 / 16
3dB BW	0.5 x $F_{SAMP}$
DC Gain	0.658 (-3.64dBFS)
Peak Coef Value	0.72114562
Maximum Output	1.054336176 (+0.4dB)
NBW:	1.004 x $F_{SAMP}$ (double sided)

Description:

Square root of raised cosine filter (alpha = 0.35) for North American TDMA cellular type signals

Frequency Response

(DC to  $F_{OUT}/2$  of the Shaping FIR Filter)

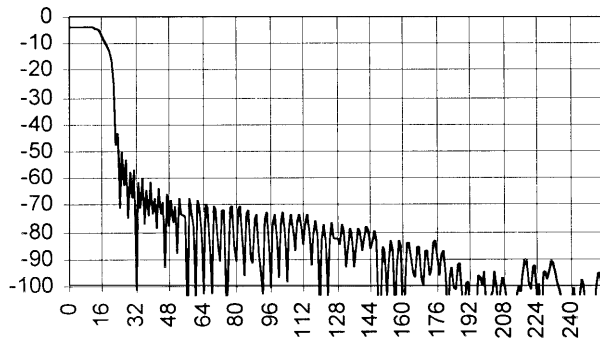


FIGURE 9. IS136B.IMP FREQUENCY RESPONSE

**File name: RRC2A4X.IMP**

PARAMETER	VALUE
Taps:	48 @4x $F_{SAMP}$
IP / DS:	4 / 12
3dB BW	0.5 x $F_{SAMP}$
DC Gain	0.595 (-4.5dB)
Peak Coef Values	0.610
Maximum Output	1.094 (+0.78dB)
NBW:	0.996 x $F_{SAMP}$ (double sided)

Description:

Square root of raised cosine filter with sharp transition band (alpha = 0.2) for QAM type signals.

Frequency Response.

(DC to  $F_{OUT}/2$  of the Shaping FIR Filter)

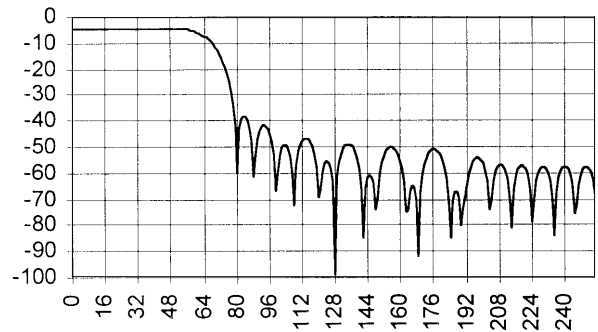


FIGURE 10. RRC2A4X.IMP FREQUENCY RESPONSE

**File name: GS5T16X.IMP**

PARAMETER	VALUE
Taps:	80 @16x $F_{SAMP}$
IP / DS:	16 / 5
3dB BW	$\sim 0.25 \times F_{SAMP}$
DC Gain	1.0000 (0dB)
Peak Coef Value	0.7416
Maximum Output	1.0000 (+0dB)
NBW:	$0.53 \times F_{SAMP}$ (double sided)

Description:

Gaussian filter for GSM (GMSK). BT = 0.3 Filter must be stimulated with  $\pm 0.03125$  for proper spectrum

Frequency Response (into FM Modulator)

(DC to  $F_{OUT}/2$  of the Pre-modulation Shaping FIR Filter)

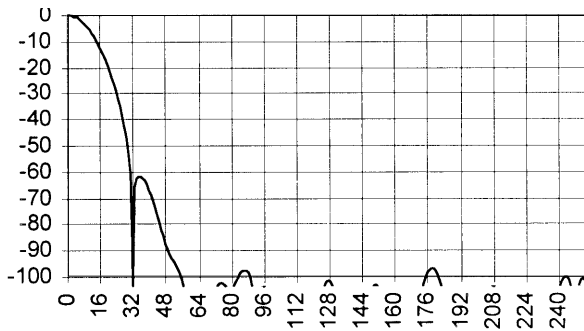


FIGURE 11. GS5T16X.IMP FREQUENCY RESPONSE

**File name: S95MOD.IMP**

PARAMETER	VALUE
Taps:	48 @ $x F_{SAMP}$
IP / DS:	4 / 12
3dB BW	Approx $0.5 \times F_{SAMP}$
DC Gain	0.543 (-5.3dB)
Peak Coef Value	0.498
Maximum Output	1.05 (+0.42dB)
NBW:	$1.012 \times F_{SAMP}$ (double sided)

Description:

Filter coefficients from IS95 Specification, rounded and then scaled to minimize AM.

Frequency Response

(DC to  $F_{OUT}/2$  of the Shaping FIR Filter)

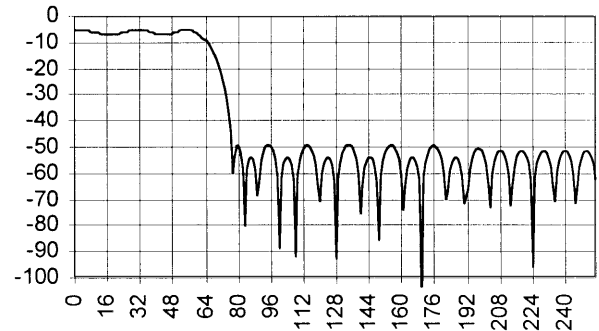


FIGURE 12. S95MOD.IMP FREQUENCY RESPONSE

**File name: AMPS2.IMP**

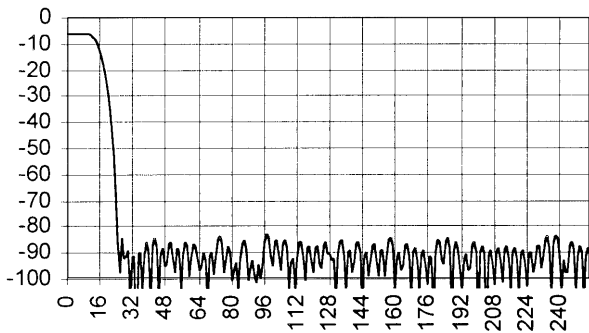
PARAMETER	VALUE
Taps:	128 @ $8 \times F_{SAMP}$
IP / DS:	8 / 16
3dB BW	$\sim 0.225 \times F_{SAMP}$ (13.5kHz @ $F_{SAMP} = 60\text{kHz}$ )
DC Gain	0.500 (-6.02dB)
Peak Coef Value	0.244
Maximum Output	0.728 (-2.76dB)
NBW:	$0.456 \times F_{SAMP}$ (double sided)

**Description:**

Post modulation filter for AMPS type FM signals. Signals. With  $F_{SAMP} = 60\text{kHz}$ , response is >36dB down at 20kHz and >70dB down for frequencies > 23kHz. Passband ripple is 0.5dB peak to peak.

**Frequency Response**

(DC to  $F_{OUT}/2$  of the Shaping FIR Filter)



**FIGURE 13. AMPS2.IMP FREQUENCY RESPONSE**

**File name: RRC35A4X.IMP**

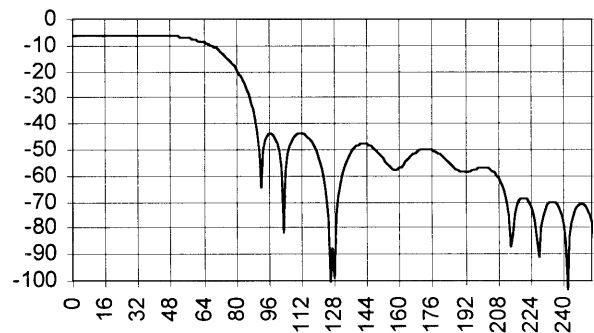
PARAMETER	VALUE
Taps:	32 @ $4 \times F_{SAMP}$
IP / DS:	4 / 8
3dB BW	$0.5 \times F_{SAMP}$
DC Gain	0.50 (-6dB)
Peak Coef Value	0.610
Maximum Output	0.757 (-2.41dB)
NBW:	$0.989 \times F_{SAMP}$ (double sided)

**Description:**

Square root of raised cosine filter for higher rate (to ~1.5 Mbaud) Satcom type signals.

**Frequency Response**

(DC to  $F_{OUT}/2$  of the Shaping FIR Filter)



**FIGURE 14. RRC35A4X.IMP FREQUENCY RESPONSE**

**File name: GP1.IMP**

PARAMETER	VALUE
Taps:	256 @16x $F_{SAMP}$
IP / DS:	16 / 16
3dB BW	$\sim 0.3 \times F_{SAMP}$
DC Gain	0.518 (-5.7dB)
Peak Coef Value	0.345
Maximum Output	0.835 (-1.57dB)
NBW:	$0.606 \times F_{SAMP}$ (double sided)

Description:

High dynamic range filter for general purpose interpolation. Passband ripple is 0.3dB peak to peak.

Frequency Response

(DC to  $F_{OUT}/2$  of the Shaping FIR Filter)

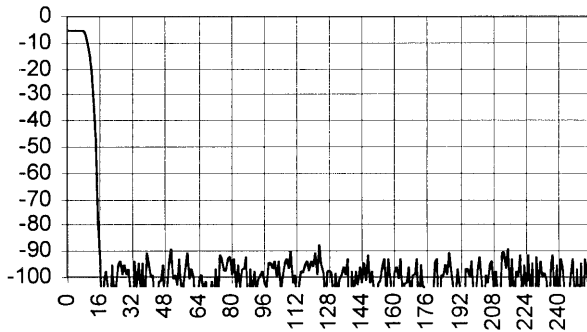


FIGURE 15. GP1.IMP FREQUENCY RESPONSE

**File name: GP2.IMP**

PARAMETER	VALUE
Taps:	256 @16x $F_{SAMP}$
IP / DS:	16 / 16
3dB BW	$\sim 0.38 \times F_{SAMP}$
DC Gain	0.51 (-5.7dB)
Peak Coef Value	0.433
Maximum Output	0.835 (-1.57dB)
NBW:	$0.77 \times F_{SAMP}$ (double sided)

Description:

High dynamic range filter for general purpose interpolation. Passband ripple is 0.1dB peak to peak.

Frequency Response

(DC to  $F_{OUT}/2$  of the Shaping FIR Filter)

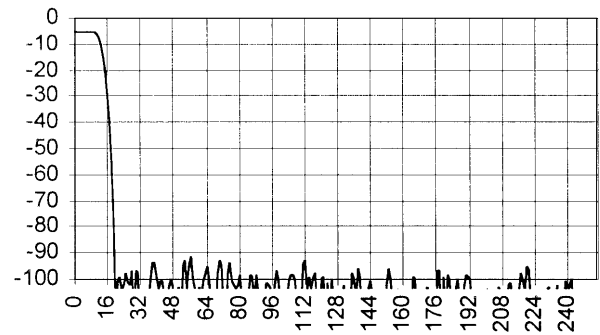


FIGURE 16. GP2.IMP FREQUENCY RESPONSE

**File name: BYPASS.IMP**

PARAMETER	VALUE
Taps:	16 @4x $F_{SAMP}$
IP / DS:	4 / 4
3dB BW	N/A
DC Gain	32767/32768 (-0.00027dBFS)
Peak Coef Value	32767/32768
Maximum Output	32767/32768 (-0.00027dBFS)
NBW:	N/A

Description:

Shaping filter bypass mode. Input samples are scaled by 32767/32768 and repeated for one input sample time (four shaping filter output cycles.) Use for evaluating carrier NCO purity as AM from the filtering is produced.

Frequency Response:  $\text{Sin}(X)/X$  with nulls aligned with the interpolation filter nulls.

**Example Stimulus Files**

When the program loads stimulus vectors, it first counts the sample pairs to calculate the first RAM address for loading. It then reads in the data and writes it to the pattern RAM. The maximum number of sample pairs is 65536 (the RAM holds up to 128kwords).

**File Name: BPSKPN.IMP**

# Samples: 511

Description: Stimulus file for BPSK modulation. PN sequence. Same data on I and Q.

Vector Length: 1.0. (0 dBFS); 0.7071 on I and Q

**File Name: QPSKPN.IMP**

# Samples: 511

Description: Stimulus file for QPSK modulation. PN sequence. Same sequence on I and Q, offset by 64 samples.

Vector Length: 1.0 (0 dBFS); 0.7071 on I and Q.

**File Name: 16QAMPN.IMP**

# Samples: 511

Description: Stimulus file for 16 QAM modulation. Summed PN sequences. I and Q vectors constructed by the Equation:  $0.5 \cdot PN1 + 0.25 \cdot PN2$ , where PN1 and PN2 can take the values  $\pm 1$ . Same PN sequence is used for PN1, PN2 for I and Q with offsets of 0, 64, 25, and 80.

Vector Length: 0.78995 RMS (-2.05 dBFS); 1.061 Max (+0.5 dBFS);  $\pm 0.25$ , 0.75 on I and Q.

**File Name: GMSKPN.IMP**

# Samples: 511

Description: Stimulus file for GMSK (GSM type, BT = 0.3). PN sequence on I channel only (Q channel is zeroed).

Vector Length: 1/32 (-30.1 dBFS);  $\pm 0.03125$  on I, 0 on Q.

**File Name: GMSKPNPC.IMP**

# Samples: 1022

Description: Stimulus file for GMSK (GSM type, BT = 0.3). 511 PN sequence on I channel only repeated twice and precoded to output the PN code when modulated as shaped FM and demodulated as OQPSK.

Vector Length: 1/32 (-30.1 dBFS);  $\pm 0.03125$  on I, 0 on Q.

**File Name: FM1K8K.IMP**

# Samples: 60

Description: Stimulus file for FM modulation (FM with post-modulation filtering, AMPS type). At 60 kbps input, the modulation is a 1kHz sine wave with a peak deviation of 8kHz.

Q samples are zeroed.

Vector Length: Peak amplitude =  $8/30 = 0.2667$  (-11.48 dBFS)

**File Name: FM1K7K.IMP**

# Samples: 60

Description: Stimulus file for FM modulation (FM with post-modulation filtering, AMPS type). At 60 kbps input, the modulation is a 1kHz sine wave with a peak deviation of 7kHz. Q samples are zeroed.

Vector Length: Peak amplitude =  $8/30 = 0.2333$  (-12.64 dBFS)

**File Name: FM1K6K.IMP**

# Samples: 60

Description: Stimulus file for FM modulation (FM with post-modulation filtering, AMPS type). At 60 kbps input, the modulation is a 1kHz sine wave with a peak deviation of 6kHz. Q samples are zeroed.

Vector Length: Peak amplitude =  $8/30 = 0.2$  (-13.98 dBFS)

**File Name: IMP**

# Samples:

Description:

Vector Length: (dBFS); on I and Q.

## Appendix H - Detailed Menu Item Descriptions

### Board, Interface Menu (Board Configuration)

#### ITEM 1: INTERFACE: CURRENT VALUE

(0; 1)

Parallel = 0; ISA = 1

Enter New Value [*Current Value*]:

#### ITEM 2: LPT NUMBER: CURRENT VALUE

(Enter New Value [*Current Value*]:

#### ITEM 3: CHANNEL 1 FPGA ADDRESS: [CURRENT VALUE]:

(0 to 7)

Enter New Value [*Current Value*]:

#### ITEM 4: CHANNEL 2 FPGA ADDRESS: [CURRENT VALUE]:

(0 to 7)

Enter New Value [*Current Value*]:

#### ITEM 5: CHANNEL 3 FPGA ADDRESS: [CURRENT VALUE]:

(0 to 7)

Enter New Value [*Current Value*]:

#### ITEM 6: CHANNEL 4 FPGA ADDRESS: [CURRENT VALUE]:

(0 to 7)

Enter New Value [*Current Value*]:

#### ITEM 7: OSCILLATOR FREQUENCY

(1,000Hz to 52,000,000Hz)

Current Value:

Enter New Value [*Current Value*]:

### MODULATOR CHANNEL 1 (OR 2-4) CONFIGURATION MENU

#### ITEM 1: CARRIER CENTER FREQUENCY

Range is -52,000,000Hz to 52,000,000Hz

Current Value: *Current Value*

Enter New Value [*Current Value*]:

#### ITEM 2: INPUT SAMPLE RATE

Range is 0.01 to 3.25e6

Current Value: *Current Value*

Enter New Value [*Current Value*]:

This field identifies the sample rate of the stimulus file to be used as input data. Set this value at the desired symbol rate, noting that AWGN stimulus files should be set at least 10x the associated data channel symbol rate, or the IF bandwidth. Neither should be set at an even multiple of the symbol rate.

#### ITEM 3: MODULATION TYPE

(0 = QASK; 1 = FM w/Postfilter; 2 = FMw/ Prefilter)

Enter New Value [*Current Value*]:

This field identifies the modulation type as QASK, FM or prefiltered FM. When implementing PSK or QAM waveforms, select 0 and identify a stimulus file that matches the desired modulation format. Some modulation formats are determined by an input stimulus file and a particular filter coefficient file.

#### ITEM 4: COEFFICIENT FILE

Current File Prefix:

Enter File Prefix: (.imp extension assumed)

This field identifies the filter coefficient file to be used in the shaping filter of the channel selected. See Appendix G - Descriptive File List for details on the format of this file type.

#### ITEM 5: INTERPOLATION (IP)

Interpolation Phases: [*Current # Phases*]

(0 = 4 phases, 1 = 8 phases, 2 = 16 phases)

Enter New Value [*Current Value*]:

This field identifies the number of interpolation phases in the filtering.

#### ITEM 6: IMPULSE RESPONSE LENGTH

Current Value: [*Current IRL*]

Range is 4 - 16

Enter New Value [*Current Value*]:

This field identifies the number of data samples in the shaping filter of the identified channel.

#### ITEM 7: STIMULUS FILE

Current File Prefix:[*Current Filename*]

Enter File Prefix: (.imp extension assumed)

This field is used for identifying the stimulus file that contains the I and Q data for the identified modulator channel. See Appendix G - Descriptive File List for details on the format of this file type. Include in this field, the path to the file, relative to the directory that the HSP50215.exe file is located.

Stimulus files send data to both the I and Q FIFO's in the HSP50215. Fixed levels ( A ) are used for BPSK and QPSK. Multiple levels are required for higher order PSK and QAM modulation formats. The stimulus file bpskpn writes the following values to the (I,Q) FIFO's: (-0.707, -0.707), (0.707, 0.707), yielding a vector magnitude of 1.

*Note: If you have not properly identified the stimulus file or the path to that file, then the program will not download when you command the software to configure the board, and will return you to the DOS prompt at which point you will need to restart the control software and start from scratch on the configuration.*

## # DATA SAMPLES

Current Value: [Current # Data Samples]

Range is 1-65536

Enter New Value [Current Value]:

This field is used to identify the number of data samples to be retrieved from the Stimulus file listed in item 7. If a CW signal is desired, identify bpskpn as the Stimulus file and select the number of data samples to be 1. If a test pattern is desired, select the number of data samples equal to the length of the test pattern desired, and edit a stimulus file to contain the desired data bits, starting at location 0. When using one of the AWGN stimulus files, identifying a large number of data samples is desirable. Use of standard PN leggingns such as  $2^7-1$ ,  $2^9-1$ ,  $2^{15}-1$  will allow a commercial Bit Error Rate Tester to be used on the receive path equipment.

## ITEM 9: OUTPUT ATTENUATION

Range is 0.00 to 48.0 (more than 48 turns the output off)

Current Value: [Current Output Attenuation Setting]

Enter New Value [Current Value]:

This field will control the GAIN\_CONTROL for the Programmable Upconverter for the channel identified. Enter the desired attenuation in dB.

## ITEM 10: OUTPUT

Current Value: [Current Output Enable Setting]

0 = Disabled

1 = Enabled

Enter New Value [Current Value]:

The field sets the output enable condition for the channel identified.

## ITEM 11: CASCADE INPUT

Current Value: [Current Cascade Input Setting]

0 = Disabled

1 = Enabled

Enter New Value[Current Value]:

This field is used to set the enable state of the cascade input to the channel identified. Remember that channel 4 cascades into channel 3, and likewise channel 3 into channel 2 and channel 2 into channel 1.

## ITEM 12: SYNC

Current Value: [Current Sync Setting]

0 = External

1 = Internal

Enter New Value[Current Value]:

This field sets the state of the sync control for the identified channel.

## ITEM 13: SYNC POLARITY

Current Value: [Current Sync Polarity Setting]

0 = H  $\Rightarrow$  L

1 = L  $\Rightarrow$  H

Enter New Value[Current Value]:

This field is used to set the Sync polarity for the channel identified.

## ITEM 14: FIFO DEPTH

Current Value: [Current FIFO Depth Setting]

Range is 1-7

Enter New Value[Current Value]:

This field is used to set the I and Q FIFO depth on the channel identified.

## ITEM 15: OUTPUT FORMAT

Current Value: [Current Output Format Setting]

0 = Offset Binary

1 = Two's Complement

Enter New Value[Current Value]:

This field sets the output format of the channel identified.

## ITEM 16: TEST REGISTER

Current Value: [Current Test Register Setting]

Enter New Value[Current Value]:

This field sets the value of Control Register 23 of the channel identified. Standard configurations set this field to 0.

## LOAD CONFIGURATION FILE

Current File is: [Current Configuration File Name]

Enter New Prefix:

This field is used to identify a configuration file to be loaded for use or editing. See Appendix G - Descriptive File List for file format.

## SAVE CONFIGURATION FILE

Current File is: [Current Configuration File Name]

Enter New Prefix:

This field is used to save the current configuration as a file.

**Warning: If a configuration change has been made, and a new file name is not entered, the changed configuration will be written over the original file. This may destroy example files that are provided with the control software.**



## **BOARD INTERFACE MENU (CONFIGURE BOARD**

### **ITEM 1: CONFIGURE CHANNEL 1**

This command downloads the configuration files necessary to configure only modulator channel #1. All other modulator channels remain unchanged from the current settings.

### **ITEM 2: CONFIGURE CHANNEL 2**

This command downloads the configuration files necessary to configure only modulator channel #2. All other modulator channels remain unchanged from the current settings.

### **ITEM 3: CONFIGURE CHANNEL 3**

This command downloads the configuration files necessary to configure only modulator channel #3. All other modulator channels remain unchanged from the current settings.

### **ITEM 4: CONFIGURE CHANNEL 4**

This command downloads the configuration files necessary to configure only modulator channel #4. All other modulator channels remain unchanged from the current settings.

### **ITEM 5: CONFIGURE ALL CHANNELS**

This command downloads the configuration files necessary to configure all four modulator channels.

## **TEST MENU**

### **ITEM 1: RESET BOARD**

This item resets the HSP50215 Digital UpConverters and puts the ACTEL PLD's in their initial state on all four channels.

### **ITEM 2: WRITE TO LOCATION WHILE RESET**

This menu item writes to a specific address while the various channels are RESET.

### **ITEM 3: READ FROM LOCATION WHILE RESET**

This menu item reads from a specific address while the various channels are RESET.

### **ITEM 4: WRITE TO LOCATION WHILE RUNNING**

This menu item writes to a specific address without inducing a RESET on the various channels.

### **ITEM 5: READ FROM LOCATION WHILE RUNNING**

This menu item reads to a specific address without inducing a RESET on the various channels.

### **ITEM 6: TEST BOARD**

This menu item is used to test the board and verify the data is properly written and read from the various channel modulators and RAM devices.

### **ITEM 0: RETURN TO MAIN MENU**

This item is used to return to the main menu.

All Intersil semiconductor products are manufactured, assembled and tested under **ISO9000** quality systems certification.

*Intersil semiconductor products are sold by description only. Intersil Corporation reserves the right to make changes in circuit design and/or specifications at any time without notice. Accordingly, the reader is cautioned to verify that data sheets are current before placing orders. Information furnished by Intersil is believed to be accurate and reliable. However, no responsibility is assumed by Intersil or its subsidiaries for its use; nor for any infringements of patents or other rights of third parties which may result from its use. No license is granted by implication or otherwise under any patent or patent rights of Intersil or its subsidiaries.*

For information regarding Intersil Corporation and its products, see web site <http://www.intersil.com>

## **Sales Office Headquarters**

### **NORTH AMERICA**

Intersil Corporation  
P. O. Box 883, Mail Stop 53-204  
Melbourne, FL 32902  
TEL: (407) 724-7000  
FAX: (407) 724-7240

### **EUROPE**

Intersil SA  
Mercure Center  
100, Rue de la Fusee  
1130 Brussels, Belgium  
TEL: (32) 2.724.2111  
FAX: (32) 2.724.22.05

### **ASIA**

Intersil (Taiwan) Ltd.  
7F-6, No. 101 Fu Hsing North Road  
Taipei, Taiwan  
Republic of China  
TEL: (886) 2 2716 9310  
FAX: (886) 2 2715 3029