

SANYO	No.4363B	LC6527N/F/L, 6528N/F/L
		SINGLE-CHIP 4-BIT MICROCOMPUTER FOR SMALL-SCALE CONTROL-ORIENTED APPLICATIONS

Overview

The LC6527N/F/L, LC6528N/F/L belong to our single-chip 4-bit microcomputer LC6500 series fabricated using CMOS process technology and are suited for use in small-scale control-oriented applications. Their basic architecture and instruction set are the same. Application areas include the standard logic circuits and applications where the number of controls is small. The LC6527N/F/L, LC6528N/F/L have relation to the LC6527C/H, LC6528C/H. The C version can be replaced by N version, and the H version by F version (a part of the function is different). The L version is added as a low voltage version. The following show the careful difference of C and N version when you replace C version with N version.

		C version	N version
Operating Temperature		-30°C to +70°C	-40°C to +85°C
1-pin C oscillation		exist	not exist
CF Oscillation Constant	400kHz MURATA	C1=C2=330pF R=0Ω	C1=C2=220pF R=2.2kΩ
	800kHz MURATA	C1=C2=220pF R=0Ω	C1=C2=100pF R=2.2KΩ
		KYOCERA	C1=C2=220pF R=0Ω
	1MHz MURATA	C1=C2=220pF R=0Ω	C1=C2=100PF R=2.2kΩ

* 2-pin CR fixed-frequency oscillator with small frequency tolerance.

** Other options shown in table on the left.

(Note) The suffix of recommend oscillation is changed C version and N version, but the characteristics are no change.

Features

- 1) CMOS technology for a low-power operation (with instruction-controlled standby function)
- 2) ROM/RAM
LC6527N/F/L ROM : 1K x 8bits, RAM : 64 x 4bits
LC6528N/F/L ROM : 0.5K x 8bits, RAM : 32 x 4bits
- 3) Instruction set : 51 kinds selectable from 80 instructions common to the LC6500 series
- 4) Wide operating voltage range form 2.2V to 6.0V (L version)
- 5) Instruction cycle time of 0.92μs (F version)

Continued on next page.

Continued from preceding page.

- 6) Flexible I/O port
 - Number of ports : 4 ports/13 pins max.
 - All ports : Input/output common
 Input/output voltage 15V max. (open drain type)
 Output current 20mA max. (sink current) (LED direct drivable)
 - Option selectable for your intended system
 - A. Open drain output, pull-up resistor : Single-bit select for all ports
 - B. Output level at the reset mode : 4-bit select of H/L level for port C/D
- 7) Stack level : 4 levels
- 8) Timer : 4-bit prescaler + 8-bit programmable timer
- 9) Clock oscillation option selectable for your intended system
 - Oscillator option : 2-pin RC oscillation (N, L version)
 2-pin ceramic resonator oscillation, 1-pin external clock input (N,F,L version)
 - Predivider option : No predivider, 1/3 predivider, 1/4 predivider (N, L version)

Function Table

Item		LC6527N/28N	LC6527F/28F	LC6527L/28L
Memory	ROM	1024 x 8 bits (27N) 512 x 8 bits (28N)	1024 x 8 bits (27F) 512 x 8 bits (28F)	1024 x 8 bits (27L) 512 x 8 bits (28L)
	RAM	64 x 4 bits (27N) 32 x 4 bits (28N)	64 x 4 bits (27F) 32 x 4 bits (28F)	64 x 4 bits (27L) 32 x 4 bits (28L)
Instruction	Instruction set	51	51	51
On-chip function	Timer	4-bit prescaler + 8-bit timer	4-bit prescaler + 8-bit timer	4-bit prescaler + 8-bit timer
	Stack level	4	4	4
	Standby function	Standby available by HALT instruction	Standby available by HALT instruction	Standby available by HALT instruction
Input/output port	Number of ports	I/O 13 max.	I/O 13 max.	I/O 13 max.
	I/O voltage	15V max.	15V max.	15V max.
	Output current	10mA typ. 20mA max.	10mA typ. 20mA max.	10mA typ. 20mA max.
	I/O circuit configuration	Open drain (N channel) or pull-up resistor-provided output selectable bit by bit.		
	Output level at reset mode	"H" or "L" level selectable port by port (port C, D only)		
Characteristic	Minimum cycle time	2.77μs (VDD≥4V) 6.0μs (VDD≥3V)	0.92μs (VDD≥4.5V)	3.84μs (VDD≥2.2V)
	Supply voltage	3 to 6V	4.5 to 6V	2.2 to 6V
	Current dissipation	2.5mA typ.	4mA typ.	2.5mA typ.
Oscillation	Resonator	RC (850kHz, 400kHz typ.) ceramic (400k, 800k, 1MHz, 4MHz)	ceramic 4MHz	RC (400kHz typ.) ceramic (400k, 800k, 1MHz, 4MHz)
	predivider option	1/1, 1/3, 1/4	1/1	1/1, 1/3, 1/4
Other	Package	DIP18, MFP18*	DIP18, MFP18*	DIP18, MFP18*

(Note) Information on the resonator and oscillation circuit constants will be presented as soon as the recommended circuit is determined.

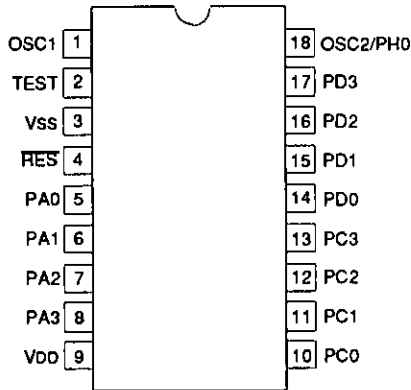
* MFP18 : under development

Pin Assignment

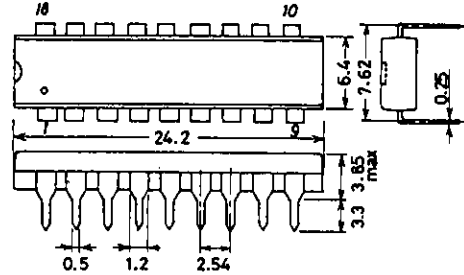
LC6527N/F/L
LC6528N/F/L

Package Dimensions

3007A
(unit : mm)



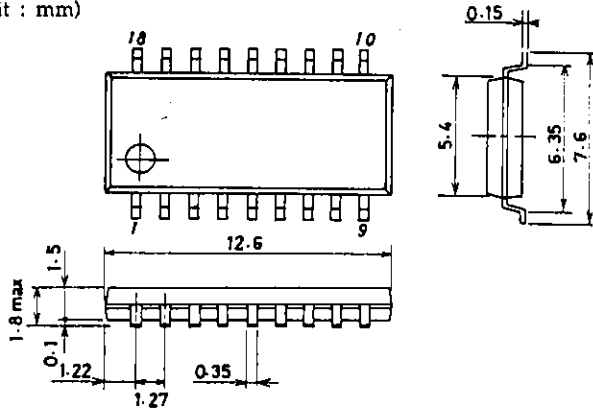
Common to DIP • MFP



SANYO : DIP18

3095-M181C
(unit : mm)

Do not immerse the package in the solder dip tank when mounting the MFP on the substrate.



SANYO : MFP18

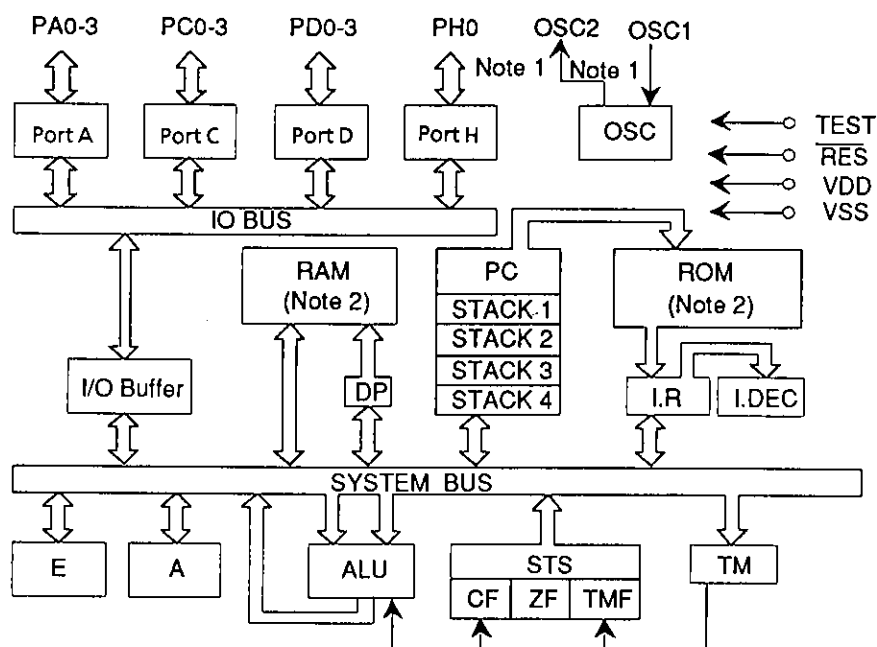
(Note) The package is the reference figure without the description of the rank. Please inquire us for the formal package.

Pin Name

OSC1, OSC2	: C, R or ceramic resonator for OSC	PH 0	: Input/output common port H 0
RES	: Reset	TEST	: Test
PA 0-3	: Input/output common port A 0-3		
PC 0-3	: Input/output common port C 0-3		
PD 0-3	: Input/output common port D 0-3		

System Block Diagram

LC6527N/F/L, LC6528N/F/L



Note 1. The PH0 pin or OSC2 pin is selected by the mask option.
 Note 2. LC6527N/F/L ROM : 1024 bytes RAM : 64 words
 LC6528N/F/L ROM : 512 bytes RAM : 32 words

Development Support Tools

The following are available to support the program development for the LC6527, LC6528.

(1) User's Manual

"LC6527, LC6528 User's Manual" No. 24-6016 ('86.10.1.)

Note : Do not use "LC6523 Series User's Manual" No. 16A-7015 and No. 16-9064.

(2) Development Tool Manual

For the EVA-800 or the EVA-850 system, refer to "EVA-800. LC6527, LC6528 Development Tool Manual".

(3) Development Tools

A. For program evaluation

1. Piggy back (LC65PG23/26)
2. 23T27 ; The pin-to-pin conversion socket for the piggy back LC65PG23/26.

B. For program evaluation

- 29 TO 27 ; The pin-to-pin conversion socket for EPROM built-in microcomputer (LC65E29)

Note. For notes for program evaluation, do not fail to refer to '4-3. Notes when evaluating programs' in "LC6527, LC6528 User's Manual".

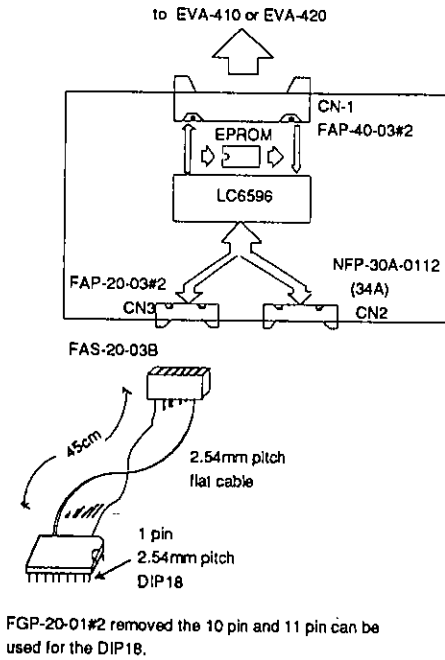


Fig. 1 Evaluation kit target board
(EVA-TB6523C/26C/27C/28C)

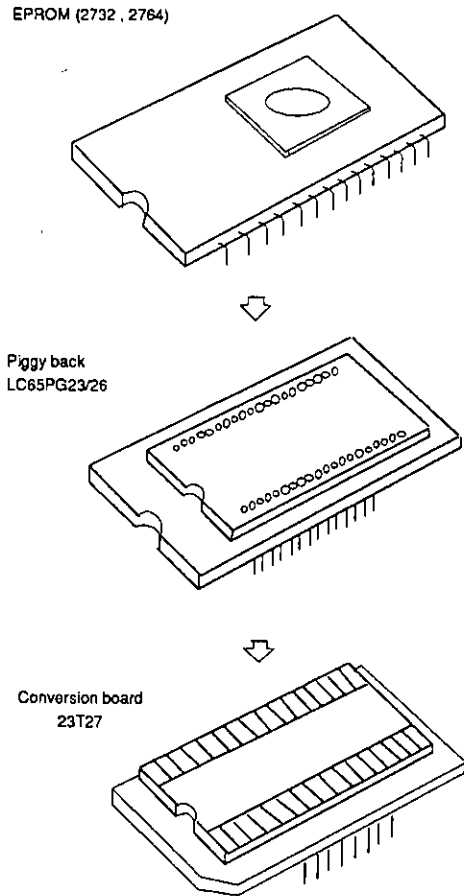
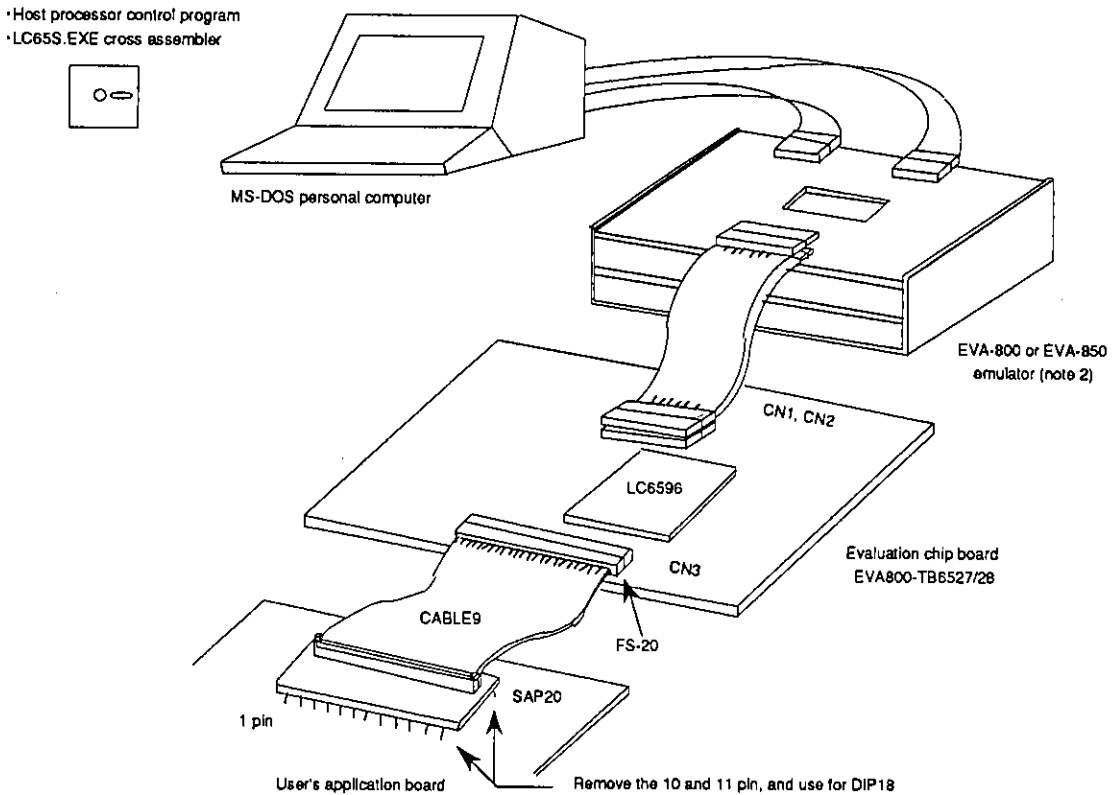


Fig. 2 Program evaluation

- C. For program development (EVA-800 or EVA-850 system) —
1. MS-DOS for host system (Note 1)
 2. Cross assembler.....MS-DOS base cross assembler : <LC65S. EXE>
 3. Host control program
 4. Evaluation chip : LC6596
 5. Emulator : EVA-800 or EVA-850 emulator and evaluation boards EVA800-TB6527/28
- D. For program development (EVA-86000 system) under development

Appearance of Development Support System



(Note 1) MS-DOS : Trademark of Microsoft Corporation

(Note 2) The EVA-800, EVA-850 are general term for emulator. A suffix (A, B,...) is added at the end of EVA-800 and EVA-850 as they are improved to be a newer version. Do not use the EVA-800 and EVA-850 with no suffix added.

Pin Description

Pin Name	Pins	I/O	Function	Option	Reset Mode
VDD	1	—	Power supply	—	—
VSS	1	—			
OSC1	1	Input	<ul style="list-style-type: none"> • Pin for externally connecting RC, ceramic resonator for system clock generation. • For 1-pin external clock input, the PH0/OSC2 pin is used as I/O port PH0. • For 2-pin RC OSC, 2-pin ceramic resonator OSC, the PH0/OSC2 pin is used as OSC pin OSC2. 	<ol style="list-style-type: none"> 1-pin external clock input 2-pin RC OSC 2-pin ceramic resonator OSC Predivider option <ol style="list-style-type: none"> 1. No predivider 2. 1/3 predivider 3. 1/4 predivider 	—
PA 0 to PA 3	4	Input/output	<ul style="list-style-type: none"> • I/O port A0 to 3 4-bit input (IP instruction) 4-bit output (OP instruction) Single-bit decision (BP, BNP instruction) Single-bit set/reset (SPB, RPB instruction) • Standby is controlled by PA3. • The PA3 pin must be free from chattering during the HALT instruction execution cycle. 	<ol style="list-style-type: none"> 1) Open drain type output 2) With pull-up resistor 1), 2) : Specified bit by bit	• "H" output (Output Nch transistor : OFF)
PC 0 to PC 3	4	Input/output	<ul style="list-style-type: none"> • I/O port C0 to 3 Same as for PA0 to 3 (Note) • Option permits output at the reset mode to be "H" or "L". (Note) No standby control function is provided. 	<ol style="list-style-type: none"> 1) Open drain type output 2) With pull-up resistor 3) Output at reset mode:"H" 4) Output at reset mode:"L" <ul style="list-style-type: none"> • 1), 2): Specified bit by bit • 3), 4): Specified in a group of 4 bits 	<ul style="list-style-type: none"> • "H" output • "L" output (Option - selectable)
PD 0 to PD 3	4	Input/output	<ul style="list-style-type: none"> • I/O port D0 to 3 Same as for PC0 to 3 	Same as for PC0 to 3	Same as for PC0 to 3
PH 0 / OSC2	1	Input/output	<ul style="list-style-type: none"> • I/O port H0 Same as for PA0 to 3 (Note) • Single-bit configuration • For 2-pin OSC, this pin is used as the OSC2 pin, providing no function as I/O port. (Note) No standby control function is provided. 	Same as for PA0 to 3	Same as for PA0 to 3
RES	1	Input	<ul style="list-style-type: none"> • System reset input • For power-up reset, C is connected externally. • For reset restart, "L" level is applied for 4 clock cycles or more. 		
TEST	1	Input	<ul style="list-style-type: none"> • LSI test pin Normally connected to VSS 		

Oscillator circuit option

Option Name	Circuit	Conditions, etc.
1. External clock		The PH 0 / OSC2 pin is used as port PH0.
2. 2-pin RC OSC		The PH 0 / OSC2 pin is used as OSC pin OSC2, providing no function as port.
3. Ceramic resonator OSC		The PH 0 / OSC2 pin is used as OSC pin OSC2, providing no function as port.

Predivider Option

Option Name	Circuit	Conditions, etc.
1. No predivider (1/1)		<ul style="list-style-type: none"> • Applicable to all of 3 OSC options. • The OSC frequency, external clock do not exceed 1444kHz. (LC6527N, 6528N) • The OSC frequency, external clock do not exceed 4330kHz. (LC6527F, 6528F) • The OSC frequency, external clock do not exceed 1040kHz. (LC6527L, 6528L)
2. 1/3 predivider		<ul style="list-style-type: none"> • Applicable to only 2 OSC options of external clock, ceramic resonator OSC. • The OSC frequency, external clock do not exceed 4330kHz.
3. 1/4 predivider		<ul style="list-style-type: none"> • Applicable to only 2 OSC options of external clock, ceramic resonator OSC. • The OSC frequency, external clock do not exceed 4330kHz.

Note : The OSC option and predivider option are summarized below. Full care must be exercised.

Table of OSC, predivider-Option of LC6527N/28N, 27F/28F and 27L/28L

LC6527N, L6528N

Circuit Configuration	Frequency	Predivider Option (Cycle Time)	VDD Range	Remarks
Ceramic resonator OSC	400kHz	1/1 (10 μ s)	3 to 6V	Unusable with 1/3, 1/4 predivider
	800kHz	1/1 (5 μ s)	4 to 6V	
		1/3 (15 μ s)	4 to 6V	
	1MHz	1/4 (20 μ s)	4 to 6V	
1/1 (4 μ s)		4 to 6V		
1-pin external clock	200k to 667kHz	1/3 (12 μ s)	4 to 6V	Unusable with 1/1 predivider
		1/4 (16 μ s)	4 to 6V	
	600k to 2000kHz	1/3 (3 μ s)	4 to 6V	
		1/4 (4 μ s)	4 to 6V	
	800k to 2667kHz	1/1 (20 to 6 μ s)	3 to 6V	
		1/3 (20 to 6 μ s)	3 to 6V	
200k to 1444kHz	1/4 (20 to 6 μ s)	3 to 6V		
	1/1 (20 to 2.77 μ s)	4 to 6V		
600k to 4330kHz	1/3 (20 to 2.77 μ s)	4 to 6V		
	1/4 (20 to 3.70 μ s)	4 to 6V		
External clock by 2-pin RC OSC circuit	Same as above			
2-pin RC	Used with 1/1 predivider, recommended constants. If used with other than recommended constants, the frequency, predivider option, VDD range must be the same as for 1-pin external clock.		3 to 6V 4 to 6V	
External clock input to the ceramic oscillation circuit	The ceramic oscillation circuit cannot be driven by external clock. To drive the circuit with external clock, select the external clock option or the 2-pin RC option.			

LC6527F, L6528F

Circuit Configuration	Frequency	Predivider Option (Cycle Time)	VDD Range	Remarks
Ceramic resonator OSC	4MHz	1/1 (1 μ s)	4.5 to 6V	
1-pin external clock	200k to 4330kHz	1/1 (20 to 0.92 μ s)	4.5 to 6V	
External clock input to the ceramic oscillation circuit	The ceramic oscillation circuit cannot be driven by external clock. To drive the circuit with external clock, select the external clock option.			

LC6527L, L6528L

Circuit Configuration	Frequency	Predivider Option (Cycle Time)	VDD Range	Remarks
Ceramic resonator OSC	400kHz	1/1 (10 μs)	2.2 to 6V	Unusable with 1/3, 1/4 predivider
	800kHz	1/1 (5 μs)	2.2 to 6V	
		1/3 (15 μs)	2.2 to 6V	
	1MHz	1/1 (4 μs)	2.2 to 6V	
1/3 (12 μs)		2.2 to 6V		
4MHz	1/3 (16 μs)	2.2 to 6V		
	1/4 (20 μs)	2.2 to 6V		
1-pin external clock	200k to 1040kHz	1/1 (20 to 3.84μs)	2.2 to 6V	
	600k to 3120kHz	1/3 (20 to 3.84μs)	2.2 to 6V	
	800k to 4160kHz	1/4 (20 to 3.84μs)	2.2 to 6V	
External clock by 2-pin RC OSC circuit	Same as above			
2-pin RC	Used with 1/1 predivider, recommended constants. If used with other than recommended constants, the frequency, predivider option, VDD range must be the same as for 1-pin external clock.		2.2 to 6V	
External clock input to the ceramic oscillation circuit	The ceramic oscillation circuit cannot be driven by external clock. To drive the circuit with external clock, select the external clock option or the 2-pin RC option.			

Option of ports C, D Output Level at the Reset Mode

For input/output common ports C, D either of the following two output levels may be selected in a group of 4 bits during reset by option.

Option Name	Conditions , etc.
1. Output at the reset mode : "H" level	All of 4 bits of ports C, D
2. Output at the reset mode : "L" level	All of 4 bits of ports C, D

Option of Port Output Configuration

For each input/output common port, either of the following two output configurations may be selected by option.

Option Name	Circuit	Conditions , etc.
1. Open drain output		<ul style="list-style-type: none"> Unapplicable to port PH0/OSC2 when 2-pin RC OSC or ceramic resonator OSC is selected.
2. Output with pull-up resistor		

LC6527N, 6528N

1. Absolute Maximum Ratings at Ta=25°C, VSS=0V

Parameter	Symbol	Conditions	Pins	Limits	unit
Maximum supply voltage	VDD max		VDD	-0.3 to +7.0	V
Output voltage	VO		OSC2	Allowable up to voltage generated	V
Input voltage	VI(1)		OSC1 (*1)	-0.3 to VDD+0.3	V
	VI(2)		TEST, RES	-0.3 to VDD+0.3	V
Input/output voltage	VIO(1)		Port of OD type	-0.3 to +15	V
	VIO(2)		Port of PU type	-0.3 to VDD+0.3	V
Peak output current	IOP		I/O port	-2 to +20	mA
Average output current	IOA	Per pin over the period of 100 ms	I/O Port	-2 to +20	mA
	ΣIOA(1)	Total current of PA0 to 3, (*2)	PA0 to 3	-6 to +40	mA
	ΣIOA(2)	Total current of PC0 to 3, PD0 to 3, PH0 (*2)	PC0 to 3 PH0 PD0 to 3	-14 to +90	mA
Allowable power dissipation	Pd max(1)	Ta=-40 to +85°C (DIP package)		250	mW
	Pd max(2)	Ta=-40 to +85°C (MFP package)*		150	mW
Operating temperature	Topr			-40 to +85	°C
Storage temperature	Tstg			-55 to +125	°C

* Under development. Do not immerse the package in the solder dip tank when mounting the MFP on the substrate.

2. Allowable Operating Conditions at Ta=-40 to +85°C, VSS=0V, VDD=3.0 to 6.0V

Parameter	Symbol	Conditions	Pins	Limits			
				min.	typ.	max.	unit
Operating supply voltage	VDD		VDD	3.0		6.0	V
Standby supply voltage	VST	RAM, register hold (*3)	VDD	1.8		6.0	V
"H"-level input voltage	VIH(1)	Output Nch Tr. OFF	Port of OD type (except H0)	0.7VDD		+13.5	V
	VIH(2)	Output Nch Tr. OFF	Port of PU type (except H0)	0.7VDD		VDD	V
	VIH(3)	Output Nch Tr. OFF	H0 of OD type	0.8VDD		+13.5	V
	VIH(4)	Output Nch Tr. OFF	H0 of PU type	0.8VDD		VDD	V
	VIH(5)		RES	0.8VDD		VDD	V
	VIH(6)	External clock mode	OSC1	0.8VDD		VDD	V
"L"-level input voltage	VIL(1)	Output Nch Tr. OFF	Port	VSS		0.3VDD	V
	VIL(2)	Output Nch Tr. OFF	Port	VSS		0.25VDD	V
	VIL(3)	External clock mode	OSC1	VSS		0.25VDD	V

Parameter	Symbol	Conditions	VDD [V]	Pins	Limits			
					min.	typ.	max.	unit
"L"-level input voltage	VIL(4)	External clock mode	VDD=3 to 6	OSC1	VSS		0.2VDD	V
	VIL(5)		VDD=4 to 6	TEST	VSS		0.3VDD	V
	VIL(6)		VDD=3 to 6	TEST	VSS		0.25VDD	V
	VIL(7)		VDD=4 to 6	\overline{RES}	VSS		0.25VDD	V
	VIL(8)		VDD=3 to 6	\overline{RES}	VSS		0.2VDD	V
Operating frequency (cycle time)	fop (Tcyc)	When the 1/3 or 1/4 predivider option is selected, clock must not exceed 4.33MHz.	VDD=4 to 6		200 (20) 200 (20)		1444 (2.77) 667 (6.0)	kHz (μ s) kHz (μ s)
External clock conditions Frequency	text	Fig.1. When clock exceeds 1.444 MHz, the 1/3 or 1/4 pre-divider option is selected.	VDD=4 to 6	OSC1	200		4330	kHz
			3 to 6		200		2667	kHz
Pulse width	textH, textL		VDD=4 to 6	OSC1	69			ns
Rise/Fall time	textR, textF		VDD=4 to 6	OSC1	180			ns
			3 to 6				50	ns
Oscillation guar- anty constants 2-pin RC oscillation	Cext	Fig.2	VDD=3 to 6	OSC1, OSC2			220 \pm 5%	pF
	Cext	Fig.2	VDD=4 to 6	OSC1, OSC2			220 \pm 5%	pF
	Rext	Fig.2	VDD=3 to 6	OSC1, OSC2			12 \pm 1%	k Ω
	Rext	Fig.2	VDD=4 to 6	OSC1, OSC2			4.7 \pm 1%	k Ω
Ceramic resonator OSC		Fig.3				Table 1		

3. Electrical Characteristics at Ta=-40 to +85°C, VSS=0V, VDD=3.0V to 6.0V

Parameter	Symbol	Conditions	Pins	Limits			
				min.	typ.	max.	unit
"H"-level input current	I _{IH} (1)	Output Nch Tr. OFF (including OFF leak current of Nch Tr.) VIN=+13.5V	Port of OD type			+5.0	μ A
	I _{IH} (2)	External clock mode, VIN=VDD	OSC1			+1.0	μ A
"L"-level input current	I _{IL} (1)	Output Nch Tr. OFF VIN=VSS	Port of OD type	-1.0			μ A
	I _{IL} (2)	Output Nch Tr. OFF VIN=VSS	Port of PU type	-1.3	-0.35		mA
	I _{IL} (3)	VIN=VSS	\overline{RES}	-45	-10		μ A
	I _{IL} (4)	External clock mode, VIN=VSS	OSC1	-1.0			μ A
"H"-level output voltage	VOH(1)	IOH=-50 μ A VDD=4.0 to 6.0V	Port of PU type	VDD-1.2			V
	VOH(2)	IOH=-10 μ A	Port of PU type	VDD-0.5			V

Parameter	Symbol	Conditions	Pins	Limits			
				min.	typ.	max.	unit
"L"-level output voltage	VOL(1)	IOL=10mA, VDD=4.0 to 6.0V	Port			1.5	V
	VOL(2)	IOL=1.8mA, IOL of each port: 1mA or less	Port			0.4	V
Hysteresis voltage	VHIS		RES, OSC1 of schmitt type(*4)		0.1VDD		V
Current dissipation 2-pin RC oscillation	IDDOP(1)	Output Nch Tr. OFF at operating, Port=VDD Fig.2 fosc=850kHz (TYP) VDD=4 to 6V	VDD		1.0	2.5	mA
	IDDOP(2)	Fig.2 fosc=400kHz (TYP)	VDD		0.8	2.5	mA
Ceramic resonator oscillation	IDDOP(3)	Fig.3 4MHz, 1/3 predivider VDD=4 to 6V	VDD		1.2	3	mA
	IDDOP(4)	Fig.3 4MHz, 1/4 predivider VDD=4 to 6V	VDD		1.2	2.5	mA
External clock	IDDOP(5)	Fig.3 400kHz	VDD		0.5	2	mA
	IDDOP(6)	Fig.3 800kHz VDD=4 to 6V	VDD		1.0	2.5	mA
	IDDOP(7)	200kHz to 667kHz, 1/1 predivider 600kHz to 2000kHz, 1/3 predivider 800kHz to 2667kHz, 1/4 predivider	VDD		1.0	2.5	mA
	IDDOP(8)	200kHz to 1444kHz, 1/1 predivider 600kHz to 4330kHz, 1/3 predivider 800kHz to 4330kHz, 1/4 predivider, VDD=4 to 6V	VDD		1.2	3	mA
Standby mode	IDDst	Output Nch Tr.OFF VDD=6V	VDD		0.05	10	μA
		Port=VDD VDD=3V	VDD		0.025	5	μA
Oscillation characteristics Ceramic OSC Frequency	fCFOSC (*5)	Fig.3 fo=400kHz	OSC1, OSC2	384	400	416	kHz
		Fig.3 fo=800kHz, VDD=4 to 6V	OSC1, OSC2	768	800	832	kHz
		Fig.3 fo=1MHz VDD=4 to 6V	OSC1, OSC2	960	1000	1040	kHz
		Fig.3 fo=4MHz, 1/3 predivider 1/4 predivider VDD=4 to 6V	OSC1, OSC2	3840	4000	4160	kHz
Stable time	tCFS	Fig.4 fo=400kHz				10	ms
		Fig.4 fo=800kHz, 1MHz, 4MHz, 1/3 predivider, 1/4 predivider VDD=4 to 6V				10	ms
2-pin RC oscillation Frequency	fMOSC	Fig.2 Cext=220pF ± 5% Fig.2 Rext=4.7kΩ±1% VDD=4 to 6V	OSC1, OSC2	646	850	1117	kHz
		Fig.2 Cext=220pF±5% Fig.2 Rext=12kΩ±1% VDD=3 to 6V	OSC1, OSC2	304	400	580	kHz

Parameter	Symbol	Conditions	Pins	Limits			
				min.	typ.	max.	unit
Pull-up resistance I/O port pull-up resistance	RPP	VDD=5V	Port of PU type		14		k Ω
External reset characteristics Reset time	tRST				See Fig.5.		
Pin capacitance	Cp	f=1MHz Other than pins to be tested, VIN=VSS			10		pF

- (*1) When oscillated internally under the oscillating conditions in Fig.3, up to the oscillation amplitude generated is allowable.
- (*2) Average over the period of 100ms.
- (*3) Operating supply voltage VDD must be held until the standby mode is entered after the execution of the HALT instruction. The PA3 pin must be free from chattering during the HALT instruction execution cycle.
- (*4) The OSC1 pin can be schmitt-triggered when the 2-pin RC oscillation option or external clock oscillation option has been selected.
- (*5) fCFOSC: oscillation frequency. There is a tolerance of approximately 1% between the center frequency at the ceramic resonator mode and the nominal value presented by the ceramic resonator supplier. For details, refer to the specification for the ceramic resonator.

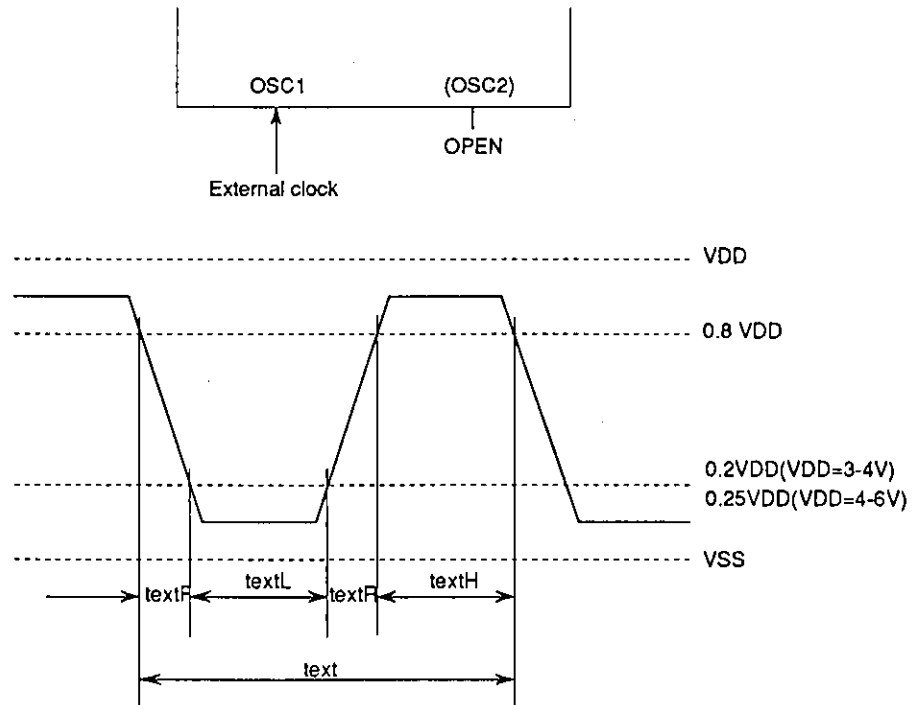


Fig. 1 External Clock Input Waveform

* External clock can be used at selecting 2-pin RC option or 1-pin external clock option, and cannot be used at ceramic resonator oscillation.

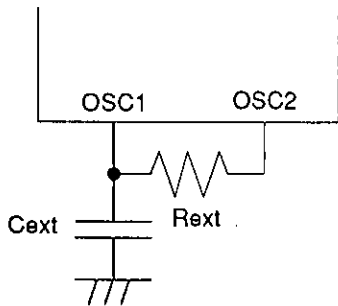


Fig. 2 2-pin RC Oscillation Circuit

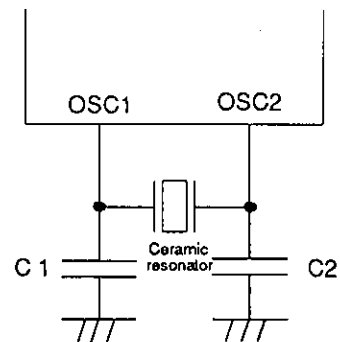


Fig. 3 Ceramic Resonator Oscillation Circuit

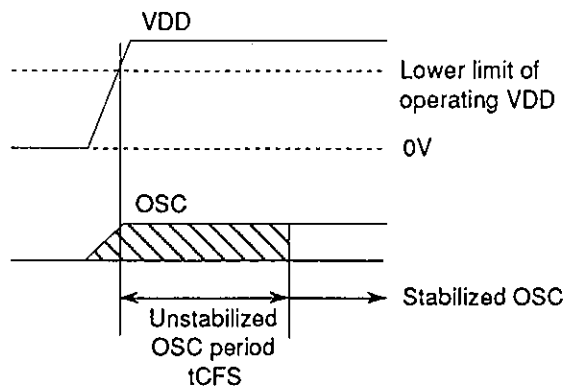


Fig. 4 Oscillation Stabilizing Period

Table 1 Constants Guaranteed for
Ceramic Resonator OSC

4MHz (Murata) CSA4.00MG	C1	33pF±10%
	C2	33pF±10%
	R	0Ω
4MHz (Kyocera) KBR4.0MSA KBR4.0MKS (built-in C)	C1	33pF±10%
	C2	33pF±10%
	R	0Ω
1MHz (Murata) CSB1000J	C1	100pF±10%
	C2	100pF±10%
	R	2.2kΩ
1MHz (Kyocera) KBR1000F	C1	100pF±10%
	C2	100pF±10%
	R	0Ω
800kHz (Murata) CSB800J	C1	100pF±10%
	C2	100pF±10%
	R	2.2kΩ
800kHz (Kyocera) KBR800F	C1	100pF±10%
	C2	100pF±10%
	R	0Ω
400kHz (Murata) CSB400P	C1	220pF±10%
	C2	220pF±10%
	R	2.2kΩ
400kHz (Kyocera) KBR400BK	C1	330pF±10%
	C2	330pF±10%
	R	0Ω

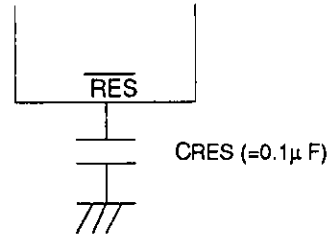


Fig. 5 Reset Circuit

(Note) When the rise time of the power supply is 0, the reset time becomes 10ms to 100ms at CRES=0.1μF. If the rise time of the power supply is long, the value of CRES must be increased so that the reset time becomes 10ms or more.

RC Oscillation Characteristics of the LC6527N, LC6528N

Fig. 6 shows the RC oscillation characteristics of the LC6527N, 6528N. For the variation range of RC OSC frequency of the LC6527N, LC6528N, the following are guaranteed at the external constants only shown below.

- 1) VDD=3.0V to 6.0V, Ta=-40°C to +85°C
 External constants Cext = 220 pF
 Rext = 12 kΩ
 304 kHz ≤ fMOSC ≤ 580 kHz
- 2) VDD=4.0V to 6.0V, Ta=-40°C to +85°C
 Cext = 220 pF
 Rext = 4.7 kΩ
 646kHz ≤ fMOSC ≤ 1117kHz

If any other constants than specified above are used, the range of Rext=3kΩ to 20kΩ, Cext=150pF to 390pF must be observed. (See Fig.6.)

(*6) : The oscillation frequency at VDD=5.0V, Ta=+25°C must be in the range of 350kHz to 750kHz.

(*7) : The oscillation frequency at VDD=4.0 to 6.0V, Ta=-40°C to +85°C and VDD=3.0V to 6.0V, Ta=-40°C to 85°C must be within the operation clock frequency range.

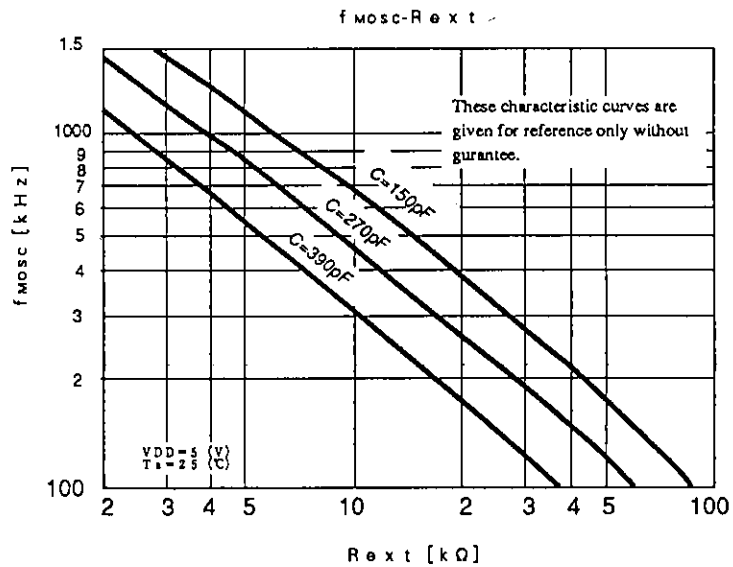


Fig. 6 RC Oscillation Frequency Data (Typ.)

LC6527F, LC6528F

1. Absolute Maximum Ratings at Ta=25°C, VSS=0V

Parameter	Symbol	Conditions	Pin	Limits	unit
Maximum supply voltage	VDD max		VDD	-0.3 to +7.0	V
Output voltage	VO		OSC2	Allowable up to voltage generated	V
Input voltage	VI(1)		OSC1 (*1)	-0.3 to VDD+0.3	V
	VI(2)		TEST, RES	-0.3 to VDD+0.3	V
Input/output voltage	VIO(1)		Port of OD type	-0.3 to +15	V
	VIO(2)		Port of PU type	-0.3 to VDD+0.3	V
Peak output current	IOP		I/O Port	-2 to +20	mA
Average output current	IOA	Per pin over the period of 100ms	I/O Port	-2 to +20	mA
	ΣIOA(1)	Total current of PA0 to 3, (*2)	PA0 to 3	-6 to +40	mA
	ΣIOA(2)	Total current of PC0 to 3, PD0 to 3, PH0 (*2)	PC0 to 3 PH0 PD0 to 3	-14 to +90	mA
Allowable power dissipation	Pd max(1)	Ta=-40 to +85°C (DIP package)		250	mW
	Pd max(2)	Ta=-40 to +85°C (MFP package)*		150	mW
Operating temperature	Topg			-40 to +85	°C
Storage temperature	Tstg			-55 to +125	°C

* Under development. Do not immerse the package in the solder dip tank when mounting the MFP on the substrate.

2. Allowable Operating Conditions at Ta=-40 to +85°C, VSS=0V, VDD=4.5 to 6.0V

Parameter	Symbol	Conditions	Pin	Limits			
				min.	typ.	max.	unit
Operating supply voltage	VDD		VDD	4.5		6.0	V
Standby supply voltage	VST	RAM, register hold (*3)	VDD	1.8		6.0	V
"H"-level input voltage	VIH(1)	Output Nch Tr. OFF	Port of OD type (except H0)	0.7VDD		+13.5	V
	VIH(2)	Output Nch Tr. OFF	Port of PU type (except H0)	0.7VDD		VDD	V
	VIH(3)	Output Nch Tr. OFF	H0 of OD type	0.8VDD		+13.5	V
	VIH(4)	Output Nch Tr. OFF	H0 of PU type	0.8VDD		VDD	V
	VIH(5)		RES	0.8VDD		VDD	V
	VIH(6)	External clock mode	OSC1	0.8VDD		VDD	V

Parameter	Symbol	Conditions	Pin	Limits			
				min.	typ.	max.	unit
"L"-level input voltage	VIL(1)	Output Nch Tr. OFF	Port	VSS		0.3VDD	V
	VIL(2)	External clock mode	OSC1	VSS		0.25VDD	V
	VIL(3)		TEST	VSS		0.3VDD	V
	VIL(4)		$\overline{\text{RES}}$	VSS		0.25VDD	V
Operating frequency (Cycle time)	fOP (Tcyc)			200 (20)		4330 (0.92)	kHz (μ s)
External clock conditions		Fig. 1					
Frequency	text		OSC1	200		4330	kHz
Pulse width	textH, textL		OSC1	69			ns
Rise/fall time	textR, textF		OSC1			50	ns
Oscillation guaranteed constants ceramic resonator OSC		Fig. 2		See Table 1.			

3. Electrical Characteristics at Ta=-40°C to +85°C, VSS=0V, VDD=4.5 to 6.0V

Parameter	Symbol	Conditions	Pin	Limits			
				min.	typ.	max.	unit
"H"-level input current	IIH(1)	Output Nch Tr. OFF (including OFF leak current of Nch Tr.) VIN=+13.5V	Port of OD type			+5.0	μ A
	IIH(2)	External clock mode, VIN=VDD	OSC1			+1.0	μ A
"L"-level input current	IIL(1)	Output Nch Tr. OFF VIN=VSS	Port of OD type	-1.0			μ A
	IIL(2)	Output Nch Tr. OFF VIN=VSS	Port of PU type	-1.3	-0.35		mA
	IIL(3)	VIN=VSS	$\overline{\text{RES}}$	-45	-10		μ A
	IIL(4)	External clock mode, VIN=VSS	OSC1	-1.0			μ A
"H"-level output voltage	VOH(1)	IOH=-50 μ A	Port of PU type	VDD-1.2			V
	VOH(2)	IOH=-10 μ A	Port of PU type	VDD-0.5			V
"L"-level output voltage	VOL(1)	IOL=10mA	Port			1.5	V
	VOL(2)	IOL=1.8mA, IOL of each port : 1mA or less	Port			0.4	V
Hysteresis voltage	VHIS		$\overline{\text{RES}}$, OSC1 of schmitt type (*4)		0.1VDD		V

Parameter	Symbol	Conditions	Pin	Limits			
				min.	typ.	max.	unit
Current dissipation Ceramic resonator OSC External clock	IDDOP(1)	Fig. 2 4MHz	VDD		1.5	3.5	mA
	IDDOP(2)	200kHz to 4330kHz *1 Output Nch Tr. OFF at Operating mode Port=VDD	VDD		1.5	3.5	mA
Standby mode	IDDst	Output Nch Tr. OFF VDD=6V Port=VDD	VDD		0.05	10	μA
		VDD=3V	VDD		0.025	5	μA
Oscillation characteristics Ceramic resonator OSC Frequency Stable time	fCFOSC	Fig.2 fo=4MHz (*5)	OSC1, OSC2	3840	4000	4160	kHz
	tCFS	Fig.3 fo=4MHz				10	ms
Pull-up resistance I/O port pull-up resistance	RPP	VDD=5V	Port of PU type		14		kΩ
External reset characteristics Reset time	tRST				See Fig. 4.		
Pin capacitance	Cp	f=1MHz, other than pins to be tested, VIN=VSS			10		pF

(*1) When oscillated internally under the oscillating conditions in Fig.2, up to the oscillation amplitude generated is allowable.

(*2) Average over the period of 100ms.

(*3) Operating supply voltage VDD must be held until the standby mode is entered after the execution of the HALT instruction. The PA3 pin must be free from chattering during the HALT instruction execution cycle.

(*4) The OSC1 pin can be schmitt-triggered when the external clock oscillation option has been selected.

(*5) fCFOSC : Oscillatable frequency.

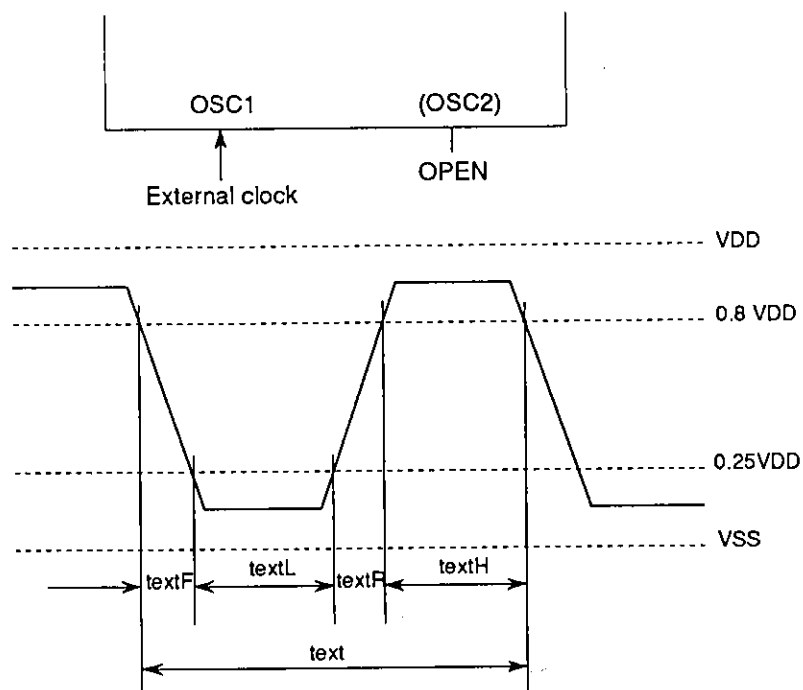


Fig. 1 External Clock Input Waveform

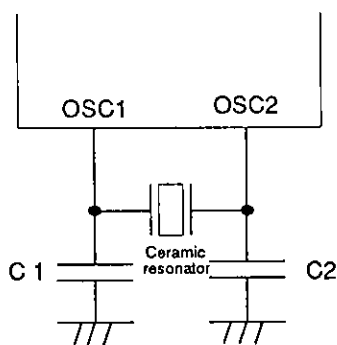


Fig. 2 Ceramic resonator OSC circuit

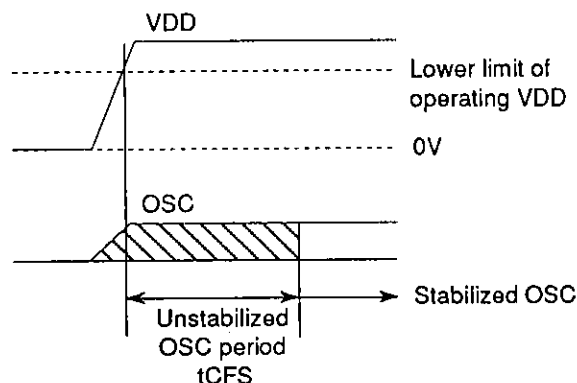


Fig. 3 OSC Stabilizing Period

Table 1. Constants Guaranteed for Ceramic Resonator OSC

4MHz (Murata)	C1	33pF ± 10%
CSA4.00MG	C2	33pF ± 10%
CST4.00MGW (built-in C)	R	0Ω
4MHz (Kyocera)	C1	33pF ± 10%
KBR4.0MSA	C2	33pF ± 10%
KBR4.0MKS (built-in C)	R	0Ω

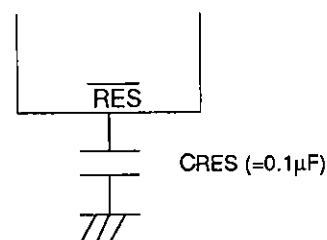


Fig. 4 Reset Circuit

(Note) When the rise time of the power supply is 0, the reset time becomes 10ms to 100ms at CRES=0.1μF. If the rise time of the power supply is long, the value of CRES must be increased so that the reset time becomes 10ms or more.

LC6527L, LC6528L

1. Absolute Maximum Ratings at Ta=25°C, VSS=0V

Parameter	Symbol	Conditions	Pin	Limits	unit
Maximum supply voltage	VDD max		VDD	-0.3 to 7.0	V
Output voltage	VO		OSC2	Allowable up to voltage generated	V
Input voltage	VI(1)		OSC1 (*1)	-0.3 to VDD+0.3	V
	VI(2)		TEST, RES	-0.3 to VDD+0.3	V
Input/output voltage	VIO(1)		Port of OD type	-0.3 to +15	V
	VIO(2)		Port of PU type	-0.3 to VDD+0.3	V
Peak output current	IOP		I/O Port	-2 to +20	mA
Average output current	IOA	Per pin over the period of 100ms	I/O Port	-2 to +20	mA
	ΣIOA(1)	Total current of PA0 to 3, (*2)	PA0 to 3	-6 to +40	mA
	ΣIOA(2)	Total current of PC0 to 3, PD0 to 3, PH0 (*2)	PC0 to 3 PH0 PD0 to 3	-14 to +90	mA
Allowable power dissipation	Pd max(1)	Ta=-40 to +85°C (DIP package)		250	mW
	Pd max(2)	Ta=-40 to +85°C (MFP package)*		150	mW
Operating temperature	Topr			-40 to +85	°C
Storage temperature	Tstg			-55 to +125	°C

* Under development. Do not immerse the package in the solder dip tank when mounting the MFP on the substrate.

2. Allowable Operating Conditions at Ta=-40°C to 85°C, VSS=0V, VDD=2.2 to 6.0V

Parameter	Symbol	Conditions	Pin	Limits			unit
				min.	typ.	max.	
Operating supply voltage	VDD		VDD	2.2		6.0	V
Standby supply voltage	VST	RAM, register hold (*3)	VDD	1.8		6.0	V
"H"-level input voltage	VIH(1)	Output Nch Tr. OFF	Port of OD type (except H0)	0.7VDD		+13.5	V
	VIH(2)	Output Nch Tr. OFF	Port of PU type (except H0)	0.7VDD		VDD	V
	VIH(3)	Output Nch Tr. OFF	H0 of OD type	0.8VDD		+13.5	V
	VIH(4)	Output Nch Tr. OFF	H0 of PU type	0.8VDD		VDD	V
	VIH(5)		RES	0.8VDD		VDD	V
	VIH(6)	External clock	OSC1	0.8VDD		VDD	V
"L"-level input voltage	VIL(1)	Output Nch Tr. OFF	Port	VSS		0.2VDD	V
	VIL(2)	External clock	OSC1	VSS		0.15VDD	V
	VIL(3)		TEST	VSS		0.2VDD	V
	VIL(4)		RES	VSS		0.2VDD	V

Parameter	Symbol	Conditions	Pin	Limits			
				min.	typ.	max.	unit
Operating frequency (cycle time)	fOP (T _{cyc})	When the 1/3 or 1/4 predivider option is selected, clock must not exceed 4.16MHz.		200 (20)		1040 (3.84)	kHz (μs)
External Clock conditions							
Frequency	text	Fig.1 When clock exceeds 1.040MHz, the 1/3 or 1/4 predivider option is selected.	OSC1	200		4160	kHz
Pulse width	textH, textL		OSC1	100			ns
Rise/fall time	textR, textF		OSC1				100 ns
Oscillation guaranteed constants							
2-pin RC oscillation	Cext	Fig.2	OSC1, OSC2	220 ± 5%			pF
	Rext			12 ± 1%			kΩ
Ceramic oscillation		Fig.3		See Table 1.			

3. Electrical Characteristics at Ta=-40°C to +85°C, VSS=0V, VDD=2.2 to 6.0V

Parameter	Symbol	Conditions	Pin	Limits			
				min.	typ.	max.	unit
"H"-level input current	I _{IH} (1)	Output Nch Tr. OFF (including OFF leak current of Nch Tr.) VIN=+13.5V	Port of OD type			+5.0	μA
	I _{IH} (2)	External clock mode, VIN=VDD	OSC1			+1.0	μA
"L"-level input current	I _{IL} (1)	Output Nch Tr. OFF VIN=VSS	Port of OD type	-1.0			μA
	I _{IL} (2)	Output Nch Tr. OFF VIN=VSS	Port of PU type	-1.3	-0.35		mA
	I _{IL} (3)	VIN=VSS	RES	-45	-10		μA
	I _{IL} (4)	External clock mode, VIN=VSS	OSC1	-1.0			μA
"H"-level output voltage	VOH	IOH=-10μA	Port of PU type	VDD-0.5			V
"L"-level output voltage	VOL(1)	IOL=3mA	Port			1.5	V
	VOL(2)	IOL=1mA, IOL of each port: 1mA or less	Port			0.4	V
Hysteresis voltage	VHIS		RES, OSC1 of Schmitt type (*4)		0.1VDD		V

Parameter	Symbol	Conditions	Pin	Limits			
				min.	typ.	max.	unit
Current dissipation 2-pin RC OSC Ceramic OSC	IDDOP(1)	Output Nch Tr. OFF at operating, Port=VDD Fig.2 fOSC=400kHz (TYP)	VDD		0.8	2.5	mA
	IDDOP(2)	Fig.3 4MHz, 1/4predivider	VDD		1.2	2.5	mA
	IDDOP(3)	Fig.3 4MHz, 1/4predivider VDD=2.2V	VDD		0.5	1	mA
	IDDOP(4)	Fig.3 400kHz	VDD		0.5	2	mA
	IDDOP(5)	Fig.3 800kHz	VDD		1.0	2.5	mA
	External clock	IDDOP(6)	200kHz to 667kHz, 1/1 predivider 600kHz to 2000kHz, 1/3 predivider 800kHz to 2667kHz, 1/4 predivider	VDD		1.0	2.5
Standby mode	IDDst	Output Nch Tr. OFF VDD=6V	VDD		0.05	10	μA
		Port=VDD VDD=2.2V	VDD		0.025	5	μA
Oscillation characteristics Ceramic OSC Frequency	fCFOSC (*5)	Fig.3 fo=400kHz	OSC1, OSC2	384	400	416	kHz
		Fig.3 fo=800kHz	OSC1, OSC2	768	800	832	kHz
		Fig.3 fo=1MHz	OSC1, OSC2	960	1000	1040	kHz
		Fig.3 fo=4MHz, 1/4 predivider	OSC1, OSC2	3840	4000	4160	kHz
Stable time	tCFS	Fig.4 fo=400kHz				10	ms
		Fig.4 fo=800kHz, 1MHz, 4MHz, 1/4 predivider				10	ms
2-pin RC OSC Frequency	fMOSC	Fig.2 Cext=220pF±5% Fig.2 Rext=12kΩ±1%	OSC1, OSC2	281	400	580	kHz
Pull-up resistance I/O port pull- up resistance	RPP	VDD=5V	Port of PU type		14		kΩ
External reset characteristics Reset time	tRST			See Fig. 5.			
Pin capacitance	Cp	f=1MHz, Other than pins to be tested, VIN=VSS			10		pF

(*1) When oscillated internally under the oscillating conditions in Fig.3, up to the oscillation amplitude generated is allowable.

(*2) Average over the period of 100ms.

(*3) Operating supply voltage VDD must be held until the standby mode is entered after the execution of the HALT instruction. The PA3 pin must be free from chattering during the HALT instruction execution cycle.

(*4) The OSC1 pin can be schmitt-triggered when the 2-pin RC oscillation option, or external clock oscillation option has been selected.

(*5) fCFOSC : Oscillatable frequency. There is a tolerance of approximately 1% between the center frequency at the ceramic resonator mode and the nominal value presented by the ceramic resonator supplier. For details, refer to the specification for the ceramic resonator.

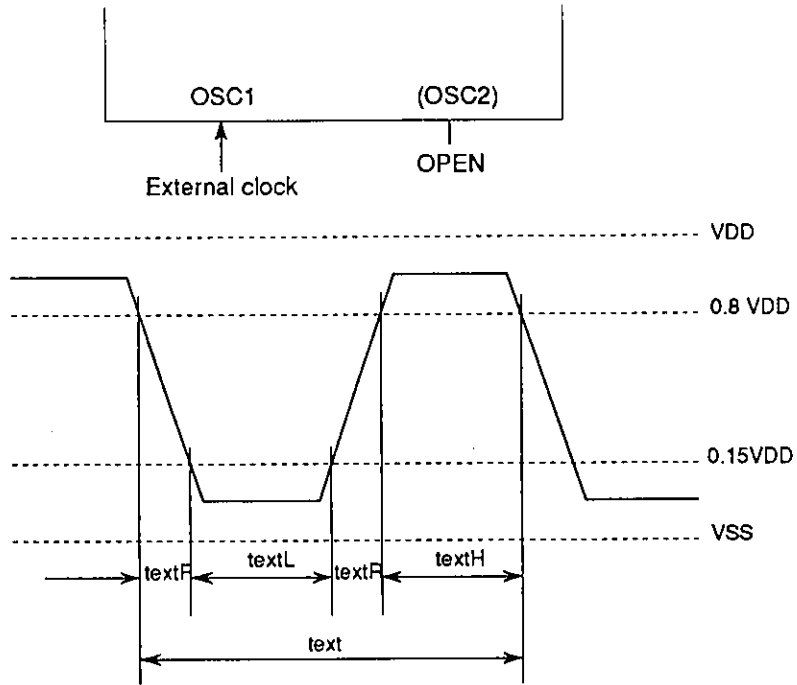


Fig. 1 External Clock Input Waveform

* External clock can be used at selecting 2-pin RC option or 1-pin external clock option, and cannot be used at ceramic resonator oscillation.

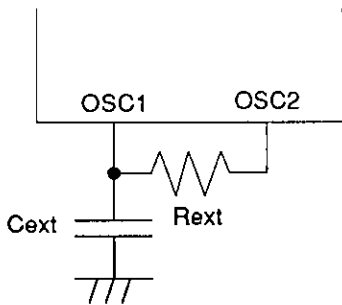


Fig. 2 2-pin RC Oscillation Circuit

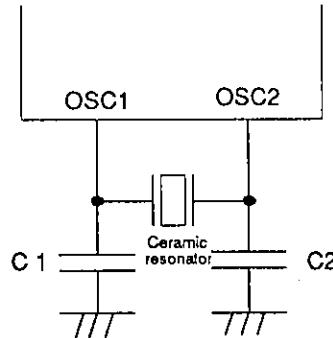


Fig. 3 Ceramic Resonator Oscillation Circuit

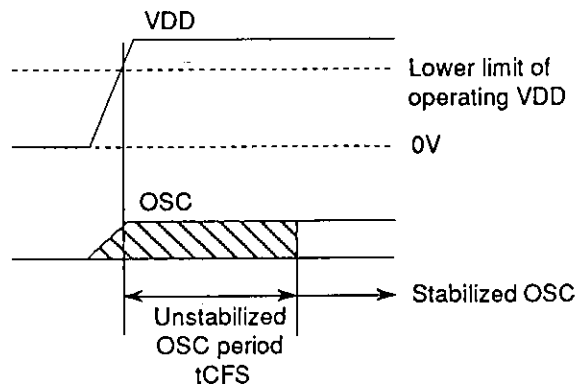


Fig. 4 Oscillation Stabilizing Period

Table 1 Constants Guaranteed for
Ceramic Resonator OSC

4MHz (Murata) CSA4.00MGU	C1	33pF±10%
	C2	33pF±10%
	R	0Ω
1MHz (Murata) CSB1000J	C1	100pF±10%
	C2	100pF±10%
	R	2.2kΩ
1MHz (Kyocera) KBR1000F	C1	100pF±10%
	C2	100pF±10%
	R	0Ω
800kHz (Murata) CSB800J	C1	100pF±10%
	C2	100pF±10%
	R	2.2kΩ
800kHz (Kyocera) KBR800F	C1	100pF±10%
	C2	100pF±10%
	R	0Ω
400kHz (Murata) CSB400P	C1	220pF±10%
	C2	220pF±10%
	R	2.2kΩ
400kHz (Kyocera) KBR400BK	C1	330pF±10%
	C2	330pF±10%
	R	0Ω

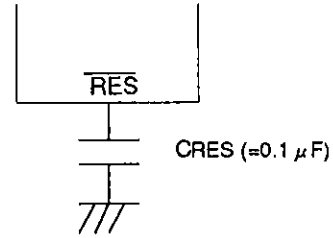


Fig. 5 Reset Circuit

(Note) When the rise time of the power supply is 0, the reset time becomes 10ms to 100ms at CRES=0.1μF. If the rise time of the power supply is long, the value of CRES must be increased so that the reset time becomes 10ms or more.

RC Oscillation Characteristic of the LC6527L, 6528L

Fig. 6 shows the RC oscillation characteristic of the LC6527L, 6528L. For the variation range of RC OSC frequency of the LC6527L, 6528L, the following are guaranteed at the external constants only shown below.

VDD=2.2V to 6.0V, Ta=-40°C to +85°C

External constants Cext = 220 pF

 Rext = 12 kΩ

 281 kHz ≤ fMOSC ≤ 580 kHz

If any other constants than specified above are used, the range of Rext=3kΩ to 20kΩ, Cext=150pF to 390pF must be observed. (See Fig. 6.)

(*6) : The oscillation frequency at VDD=5.0V, Ta=+25°C must be in the range of 350kHz to 500kHz.

(*7) : The oscillation frequency at VDD=2.2 to 6.0V and Ta=-40°C to +85°C must be within the operation clock frequency range.

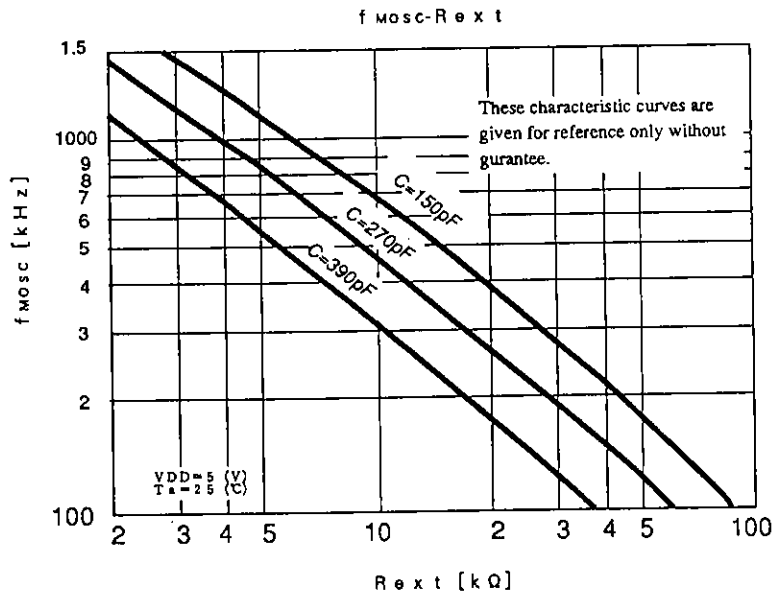


Fig. 6 RC Oscillation Frequency Data (Typ.)

Notes for Program Evaluation

- When evaluating the LC6527/28 with the evaluation chip (LC6596, LC65PG23/26), the following must be observed.

Classification	Item	Function		Notes for evaluation
		Mass-production chip	Evaluation chip	
Notes for option	2-pin OSC	PH0 and OSC2 share one pin (PH0/OSC2). Either of them is selected exclusively by user option. When 2-pin OSC is selected, PH0/OSC2 pin provides OSC2 and performs no function as PH0 port. Data input to PH0/OSC2 by mistake is always read as "0".	Evaluation chip has PH0 and OSC2 separately. Pin required for option is selected as required. Even when OSC2 pin is selected by option, PH0 circuit is present and functions as complete port PH0.	Since input/output at PH0 on evaluation chip results in difference between evaluation chip operation and mass-production chip operation, input/output at PH0 is prohibited.
	OSC predivider	3 selections (1/1, 1/3, 1/4) by option.	3 selections (1/1, 1/3, 1/4) available by 2 pins of DIV pin, 3OR4 pin.	DIV pin, 3OR4 pin must be set according to option specified for mass-production chip.
	Ports C, D output level at reset mode	Ports C, D can be brought to "H" or "L" in a group of 4 bits.	Port C and port D can be brought to "H" and "L" by CHL pin and DHL pin respectively.	CHL pin and DHL pin must be set according to option specified for mass-production chip.
	Port output configuration PU/OD	PU or OD can be selected bitwise.	Only OD without PU.	[LC6596-applied evaluation] External resistor (15kohms) on evaluation board must be connected to necessary port. [Piggyback-applied evaluation] Resistor must be connected to necessary port on application board.
	PU resistor configuration	PU resistor brought to Hi-Z (Pch Tr to turn OFF) at "L" output mode.	PU resistor, being external resistor, whose impedance remains unchanged at "L" output mode.	For mass-production chip, leakage current only flows in Pch Tr at "L" output mode; for evaluation chip, current continues flowing in PU resistor at "L" output mode.
Notes for OSC	OSC constants -1	[2-pin RC OSC] Catalog-guaranteed constants provide OSC at frequency specified in catalog.	[2-pin RC OSC] Different from mass-production chip in circuit design and characteristic.	[2-pin RC OSC] Frequency must be adjusted to OSC frequency of mass-production chip by adjusting variable resistor.
		[2-pin ceramic resonator OSC] Catalog-guaranteed constants provide OSC at frequency specified in catalog.	[2-pin ceramic resonator OSC] Different from mass-production chip in circuit design and characteristic. Wiring capacitance may provide unstable OSC.	[2-pin ceramic resonator OSC] External constants must be fine-adjusted according to service conditions.
	OSC constants -2 (Note)	[2-pin ceramic resonator OSC] Feedback resistor is contained.	[2-pin ceramic resonator OSC] No feedback resistor is contained.	[2-pin ceramic resonator OSC] For evaluation chip, feedback resistor of 1Mohm must be connected externally.

Continued on next page.

Continued from preceding page.

Classification	Item	Function		Notes for evaluation
		Mass-production chip	Evaluation chip	
Notes for electrical characteristics	OSC frequency	OSC frequency characteristic as indicated in catalog.	Different from mass-production chip in circuit design, and characteristic.	ES, CS must be used to evaluate characteristic in detail.
	Operating current, standby current	Current characteristic as indicated in catalog.	Different from mass-production chip in circuit design, characteristic.	
Other notes	Type No. setting	LC6527/28 differ in ROM, RAM.	ROM, RAM to be used according to Type No. are set by INSTC, MEMC.	INSTC, MEMC are set according to Type No. of mass-production chip.
	Evaluation chip pin setting		Input pin RSTC, which is not provided in mass-production chip, is provided.	SW4 on evaluation board must remain turned OFF.

Note) When the evaluation chip is used in the 2-pin ceramic resonator OSC mode, no feedback resistor is contained unlike the mass-production chip. Connect a feedback resistor of 1Mohm externally as shown below. Since constants R, C are also differ from those for the mass-production chip, refer to Table 1 and adjust the capacitor value according to the stray capacitance of the circuit.

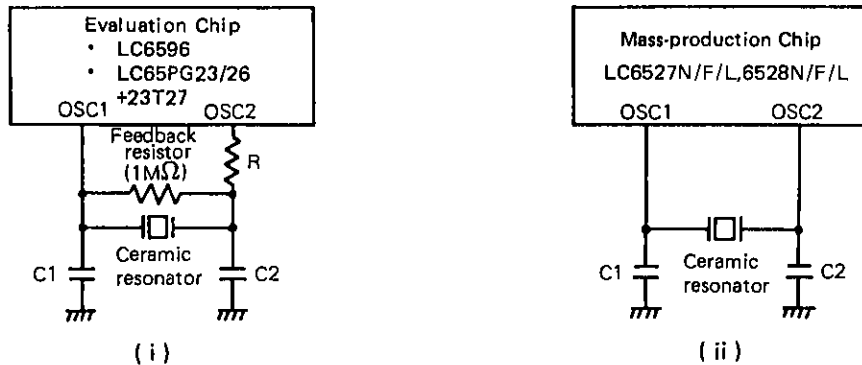


Fig. 1 2-Pin Ceramic Resonator OSC Circuit for Evaluation Chip and Mass-production Chip

Ceramic resonator		Mass-production chip C1=C2	Evaluation chip (*)			
			Including capacitance of standard cable(FAS-20-03B)		Including no capacitance of standard cable(FAS-20-03B)	
			C1=C2	R	C1=C2	R
4MHz	CSA4.00MG (Murata)	30pF	8pF	0Ω	33pF	0Ω
	KBR4.0MS (Kyocera)	33pF	8pF	0Ω	33pF	0Ω
1MHz	CSB1000K (Murata)	(Using CSB1000D) 100pF	82pF	2.2kΩ	100pF	2.2kΩ
	KBR1000H (Kyocera)	100pF	82pF	2.2kΩ	100pF	2.2kΩ
800kHz	CSB800K (Murata)	(Using CSB800D) 100pF	120pF	2.2kΩ	150pF	2.2kΩ
	KBR800H (Kyocera)	100pF	120pF	2.2kΩ	150pF	2.2kΩ
400kHz	CSB400P (Murata)	330pF	220pF	3.3kΩ	270pF	3.3kΩ
	KBR400B (Kyocera)	150pF	330pF	1.0kΩ	330pF	1.0kΩ
	KBR400H					

Table 1 Reference Values of Constants R, C

(*) Standard cable (FAS-20-03B) is a cable attached to target board EVA-TB6523C/26C/27C/28C.

Table 1 shows two cases where the capacitance of the cable is included and no capacitance of the cable is included.

- Example where the capacitance of the cable is included
The capacitance of the cable is included when the resonator is connected to the user's application board through the cable from the EVA-TB6523C/26C/27C/28C.
- Example where no capacitance of the cable is included
No capacitance of the cable is included when the resonator is placed near the evaluation chip (on the EVA-TB6523C/26C/27C/28C).

When using any other cable than the attached cable, adjust the capacitor value according to the stray capacitance.

LC6527, 6528 INSTRUCTION SET (BY FUNCTION)

Symbol Description
 AC : Accumulator
 ACt : Accumulator bit t
 CF : Carry flag
 DP : Data pointer
 E : E register
 M : Memory
 M(DP) : Memory addressed by DP
 P(DP_L) : Input/output port addressed by DP_L
 PC : Program counter
 STACK : Stack register
 TM : Timer
 TMF : Timer (internal) interrupt request flag
 ZF : Zero flag
 (), () : Contents
 ← : Transfer and direction
 + : Addition
 - : Subtraction
 ∨ : Exclusive OR

Instruction group	Mnemonic	Instruction code		Bytes	Cycles	Function	Description	Status flag affected	Remarks
		D ₇ D ₆ D ₅ D ₄	D ₃ D ₂ D ₁ D ₀						
Accumulator manipulation instructions	CLA	Clear AC	1 1 0 0	0 0 0 0	1	1	AC ← 0	ZF	* 1
	CLC	Clear CF	1 1 1 0	0 0 0 1	1	1	CF ← 0	CF	
	STC	Set CF	1 1 1 1	0 0 0 1	1	1	CF ← 1	CF	
	CMA	Complement AC	1 1 1 0	1 0 1 1	1	1	AC ← [AC]	ZF	
	INC	Increment AC	0 0 0 0	1 1 1 0	1	1	AC ← (AC) + 1	ZF CF	
	DEC	Decrement AC	0 0 0 0	1 1 1 1	1	1	AC ← (AC) - 1	ZF CF	
	TAE	Transfer AC to E	0 0 0 0	0 0 1 1	1	1	E ← (AC)		
XAE	Exchange AC with E	0 0 0 0	1 1 0 1	1	1	(AC) ↔ (E)			
Memory manipulation instructions	INM	Increment M	0 0 1 0	1 1 1 0	1	1	M(DP) ← (M(DP)) + 1	ZF CF	
	DEM	Decrement M	0 0 1 0	1 1 1 1	1	1	M(DP) ← (M(DP)) - 1	ZF CF	
	SMB bit	Set M data bit	0 0 0 0	1 0 B ₁ B ₀	1	1	M(DP, B ₁ B ₀) ← 1		
RMB bit	Reset M data bit	0 0 1 0	1 0 B ₁ B ₀	1	1	M(DP, B ₁ B ₀) ← 0	ZF		
Arithmetic operation/comparison instructions	AD	Add M to AC	0 1 1 0	0 0 0 0	1	1	AC ← (AC) + (M(DP))	ZF CF	
	ADC	Add M to AC with CF	0 0 1 0	0 0 0 0	1	1	AC ← (AC) + (M(DP)) + (CF)	ZF CF	
	DAA	Decimal adjust AC in addition	1 1 1 0	0 1 1 0	1	1	6 is added to the AC contents.	ZF	
	DAS	Decimal adjust AC in subtraction	1 1 1 0	1 0 1 0	1	1	10 is added to the AC contents.	ZF	
	EXL	Exclusive or M to AC	1 1 1 1	0 1 0 1	1	1	AC ← (AC) ∨ (M(DP))	ZF	
	CM	Compare AC with M	1 1 1 1	1 0 1 1	1	1	(M(DP)) + (AC) + 1	ZF CF	
	CI data	Compare AC with immediate data	0 0 1 0 0 1 0 0	1 1 0 0 1 3 2 1 1 0	2	2	1 3 2 1 1 0 + (AC) + 1	ZF CF	
Load/store instructions	LI data	Load AC with immediate data	1 1 0 0	1 3 2 1 1 0	1	1	AC ← 1 3 2 1 1 0	ZF	* 1
	S	Store AC to M	0 0 0 0	0 0 1 0	1	1	M(DP) ← (AC)		
	L	Load AC from M	0 0 1 0	0 0 0 1	1	1	AC ← (M(DP))	ZF	
Data pointer manipulation instructions	LDZ data	Load DP _H with zero and DP _L with immediate data respectively	1 0 0 0	1 3 2 1 1 0	1	1	DP _H ← 0 DP _L ← 1 3 2 1 1 0		
	LHI data	Load DP _H with immediate data	0 1 0 0	0 0 1 1 1 0	1	1	DP _H ← 1 1 1 0		
	IND	Increment DP _L	1 1 1 0	1 1 1 0	1	1	DP _L ← (DP _L) + 1	ZF	
	DED	Decrement DP _L	1 1 1 0	1 1 1 1	1	1	DP _L ← (DP _L) - 1	ZF	
	TAL	Transfer AC to DP _L	1 1 1 1	0 1 1 1	1	1	DP _L ← (AC)		
	TLA	Transfer DP _L to AC	1 1 1 0	1 0 0 1	1	1	AC ← (DP _L)	ZF	
Jump/subroutine instructions	JMP addr	Jump	0 1 1 0 P ₇ P ₆ P ₅ P ₄	1 0 P ₉ R ₈ P ₃ P ₂ P ₁ P ₀	2	2	PC ← P ₉ P ₈ P ₇ P ₆ P ₅ P ₄ P ₃ P ₂ P ₁ P ₀		
	CZP addr	Call subroutine in the zero page	1 0 1 1	P ₃ P ₂ P ₁ P ₀	1	1	STACK ← (PC) + 1 PC _{9~6} ← PC _{1~0} ← 0 PC _{5~2} ← P ₃ P ₂ P ₁ P ₀		
	CAL addr	Call subroutine	1 0 1 0 P ₇ P ₆ P ₅ P ₄	1 0 P ₉ P ₈ P ₃ P ₂ P ₁ P ₀	2	2	STACK ← (PC) + 2 PC _{9~0} ← P ₆ P ₅ P ₄ P ₃ P ₂ P ₁ P ₀		
	RT	Return from subroutine	0 1 1 0	0 0 1 0	1	1	PC ← (STACK)		

LC6527N/F/L, LC6528N/F/L

Instruction group	Mnemonic	Instruction code		Bytes	Cycles	Function	Description	Status flag affected	Remarks	
		D ₇ D ₆ D ₅ D ₄	D ₃ D ₂ D ₁ D ₀							
	BAI addr	Branch on AC bit	0 1 1 1 P ₇ P ₆ P ₅ P ₄	0 0 1 1 0 P ₃ P ₂ P ₁ P ₀	2	2	PC ₇₋₀ ← P ₇ P ₆ P ₅ P ₄ P ₃ P ₂ P ₁ P ₀ if AC ₁ = 1	If a single bit of the AC specified with the immediate data t ₁₀ is 1, a branch to the address specified with the immediate data P ₇ P ₆ P ₅ P ₄ P ₃ P ₂ P ₁ P ₀ within the same page occurs.		Mnemonic is BAI0 to BAI3 according to the value of t.
	BNAI addr	Branch on no AC bit	0 0 1 1 P ₇ P ₆ P ₅ P ₄	0 0 1 1 0 P ₃ P ₂ P ₁ P ₀	2	2	PC ₇₋₀ ← P ₇ P ₆ P ₅ P ₄ P ₃ P ₂ P ₁ P ₀ if AC ₁ = 0	If a single bit of the AC specified with the immediate data t ₁₀ is 0, a branch to the address specified with the immediate data P ₇ P ₆ P ₅ P ₄ P ₃ P ₂ P ₁ P ₀ within the same page occurs.		Mnemonic is BNAI0 to BNAI3 according to the value of t.
	BMI addr	Branch on M bit	0 1 1 1 P ₇ P ₆ P ₅ P ₄	0 1 1 1 0 P ₃ P ₂ P ₁ P ₀	2	2	PC ₇₋₀ ← P ₇ P ₆ P ₅ P ₄ P ₃ P ₂ P ₁ P ₀ if (M(DP.t ₁₀)) = 1	If a single bit of the M(DP) specified with the immediate data t ₁₀ is 1, a branch to the address specified with the immediate data P ₇ P ₆ P ₅ P ₄ P ₃ P ₂ P ₁ P ₀ within the same page occurs.		Mnemonic is BMI0 to BMI3 according to the value of t.
	BNMI addr	Branch on no M bit	0 0 1 1 P ₇ P ₆ P ₅ P ₄	0 1 1 1 0 P ₃ P ₂ P ₁ P ₀	2	2	PC ₇₋₀ ← P ₇ P ₆ P ₅ P ₄ P ₃ P ₂ P ₁ P ₀ if (M(DP.t ₁₀)) = 0	If a single bit of the M(DP) specified with the immediate data t ₁₀ is 0, a branch to the address specified with the immediate data P ₇ P ₆ P ₅ P ₄ P ₃ P ₂ P ₁ P ₀ within the same page occurs.		Mnemonic is BNMI0 to BNMI3 according to the value of t.
	BPI addr	Branch on Port bit	0 1 1 1 P ₇ P ₆ P ₅ P ₄	1 0 1 1 0 P ₃ P ₂ P ₁ P ₀	2	2	PC ₇₋₀ ← P ₇ P ₆ P ₅ P ₄ P ₃ P ₂ P ₁ P ₀ if (P(DP.t ₁₀)) = 1	If a single bit of port P(DP _L) specified with the immediate data t ₁₀ is 1, a branch to the address specified with the immediate data P ₇ P ₆ P ₅ P ₄ P ₃ P ₂ P ₁ P ₀ within the same page occurs.		Mnemonic is BPI0 to BPI3 according to the value of t.
	BNPI addr	Branch on no Port bit	0 0 1 1 P ₇ P ₆ P ₅ P ₄	1 0 1 1 0 P ₃ P ₂ P ₁ P ₀	2	2	PC ₇₋₀ ← P ₇ P ₆ P ₅ P ₄ P ₃ P ₂ P ₁ P ₀ if (P(DP.t ₁₀)) = 0	If a single bit of port P(DP _L) specified with the immediate data t ₁₀ is 0, a branch to the address specified with the immediate data P ₇ P ₆ P ₅ P ₄ P ₃ P ₂ P ₁ P ₀ within the same page occurs.		Mnemonic is BNPI0 to BNPI3 according to the value of t.
	BTM addr	Branch on timer	0 1 1 1 P ₇ P ₆ P ₅ P ₄	1 1 0 0 0 P ₃ P ₂ P ₁ P ₀	2	2	PC ₇₋₀ ← P ₇ P ₆ P ₅ P ₄ P ₃ P ₂ P ₁ P ₀ if TMF = 1 then TMF ← 0	If the TMF is 1, a branch to the address specified with the immediate data P ₇ P ₆ P ₅ P ₄ P ₃ P ₂ P ₁ P ₀ within the same page occurs. The TMF is reset.	TMF	
	BNTM addr	Branch on no timer	0 0 1 1 P ₇ P ₆ P ₅ P ₄	1 1 0 0 0 P ₃ P ₂ P ₁ P ₀	2	2	PC ₇₋₀ ← P ₇ P ₆ P ₅ P ₄ P ₃ P ₂ P ₁ P ₀ if TMF = 0 then TMF ← 0	If the TMF is 0, a branch to the address specified with the immediate data P ₇ P ₆ P ₅ P ₄ P ₃ P ₂ P ₁ P ₀ within the same page occurs. The TMF is reset.	TMF	
	BC addr	Branch on CF	0 1 1 1 P ₇ P ₆ P ₅ P ₄	1 1 1 1 1 P ₃ P ₂ P ₁ P ₀	2	2	PC ₇₋₀ ← P ₇ P ₆ P ₅ P ₄ P ₃ P ₂ P ₁ P ₀ if CF = 1	If the CF is 1, a branch to the address specified with the immediate data P ₇ P ₆ P ₅ P ₄ P ₃ P ₂ P ₁ P ₀ within the same page occurs.		
	BNC addr	Branch on no CF	0 0 1 1 P ₇ P ₆ P ₅ P ₄	1 1 1 1 1 P ₃ P ₂ P ₁ P ₀	2	2	PC ₇₋₀ ← P ₇ P ₆ P ₅ P ₄ P ₃ P ₂ P ₁ P ₀ if CF = 0	If the CF is 0, a branch to the address specified with the immediate data P ₇ P ₆ P ₅ P ₄ P ₃ P ₂ P ₁ P ₀ within the same page occurs.		
	BZ addr	Branch on ZF	0 1 1 1 P ₇ P ₆ P ₅ P ₄	1 1 1 0 0 P ₃ P ₂ P ₁ P ₀	2	2	PC ₇₋₀ ← P ₇ P ₆ P ₅ P ₄ P ₃ P ₂ P ₁ P ₀ if ZF = 1	If the ZF is 1, a branch to the address specified with the immediate data P ₇ P ₆ P ₅ P ₄ P ₃ P ₂ P ₁ P ₀ within the same page occurs.		
	BNZ addr	Branch on no ZF	0 0 1 1 P ₇ P ₆ P ₅ P ₄	1 1 1 0 0 P ₃ P ₂ P ₁ P ₀	2	2	PC ₇₋₀ ← P ₇ P ₆ P ₅ P ₄ P ₃ P ₂ P ₁ P ₀ if ZF = 0	If the ZF is 0, a branch to the address specified with the immediate data P ₇ P ₆ P ₅ P ₄ P ₃ P ₂ P ₁ P ₀ within the same page occurs.		
Input/Output instructions	IP	Input port to AC	0 0 0 0	1 1 0 0 0	1	1	AC ← (P(DP _L))	Port P(DP _L) contents are loaded in the AC.	ZF	
	OP	Output AC to port	0 1 1 0	0 0 0 1 1	1	1	P(DP _L) ← (AC)	The AC contents are outputted to port P(DP _L).		
	SPB bit	Set port bit	0 0 0 0	0 1 B ₁ B ₀	1	2	P(DP _L . B ₁ B ₀) ← 1	A single bit in port P(DP _L) specified with the immediate data B ₁ B ₀ is set.		When this instruction is executed, the E contents are destroyed.
	RPB bit	Reset port bit	0 0 1 0	0 1 B ₁ B ₀	1	2	P(DP _L . B ₁ B ₀) ← 0	A single bit in port P(DP _L) specified with the immediate data B ₁ B ₀ is reset.	ZF	When this instruction is executed, the E contents are destroyed.
Other instructions	WTTM	Write timer	1 1 1 1	1 0 0 1 1	1	1	TM ← (E).(AC) TMF ← 0	The E and AC contents are loaded in the timer. The TMF is reset.	TMF	
	HALT	Halt	1 1 1 1	0 1 1 0 0	1	1	Halt	All operations stop.		Only when all pins of port PA are set at L stop.
	NOP	No operation	0 0 0 0	0 0 0 0 0	1	1	No operation	No operation is performed, but 1 machine cycle is consumed.		

*1 If the CLA instruction is used continuously in such a manner as CLA, CLA, -----, the first CLA instruction only is effective and the following CLA instructions are changed to the NOP instructions. This is also true of the LI instruction.

(The following instructions, which are included in the instruction set of the LC6523, 6526, are excluded.)
AND, BF_n, BI, BFN_n, BNI, CLI, JPEA, OR RAL, RCTL, RFB, RTI, RTBL, SCTL, SFB, X, XAH, XA0,
XA1, XA2, XA3, XD, XH0, XH1, XI, XL0, XL1, XM

LC6527N/F/L, 6528N/F/L Option Code Specifying Method

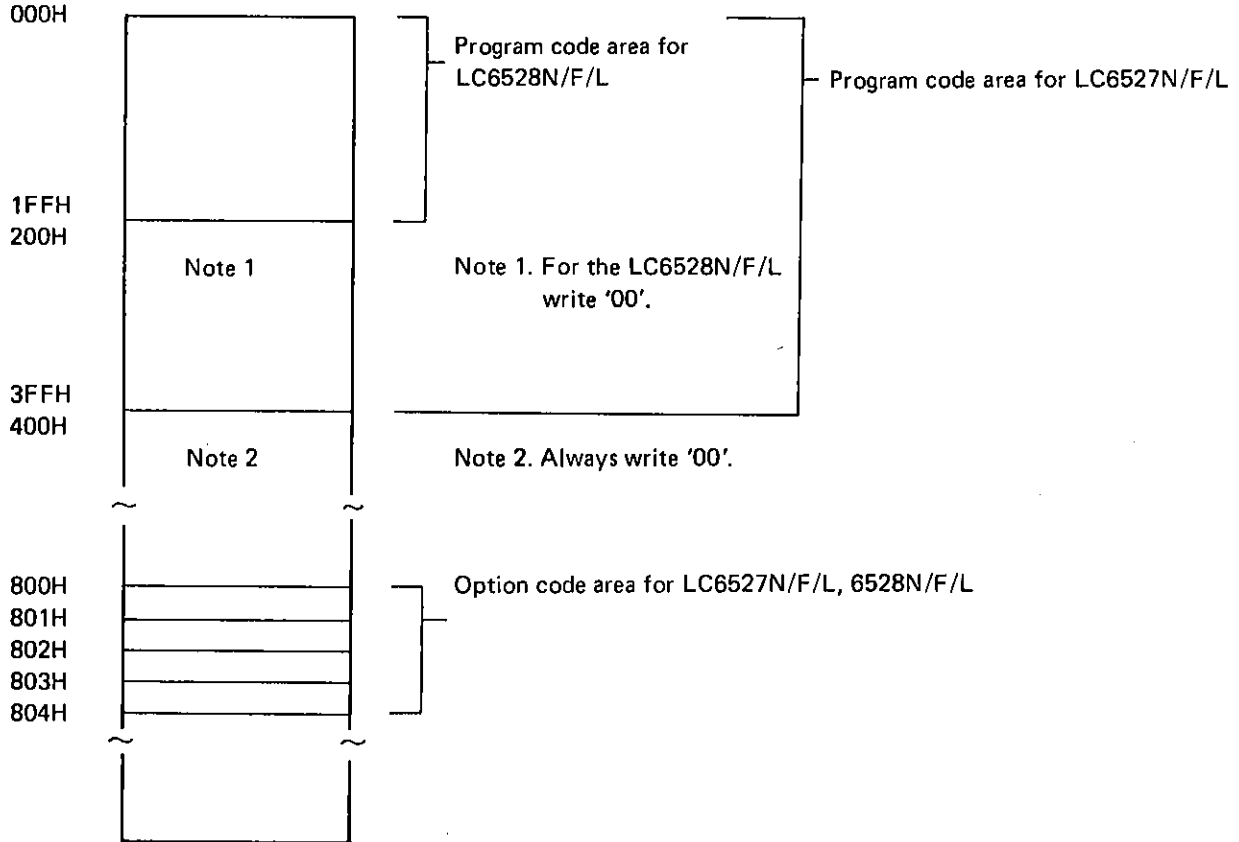
General Description

It is requested that you should submit to us various mask options of the LC6527N/F/L, LC6528N/F/L together with the program code which are stored in an EPROM.

By using our cross assembler for the LC6527, 6528, the option code can be specified interactively and stored in the EPROM.

If our cross assembler is not used, specify the option code as shown below. (This is the same as the method where the cross assembler is created automatically.)

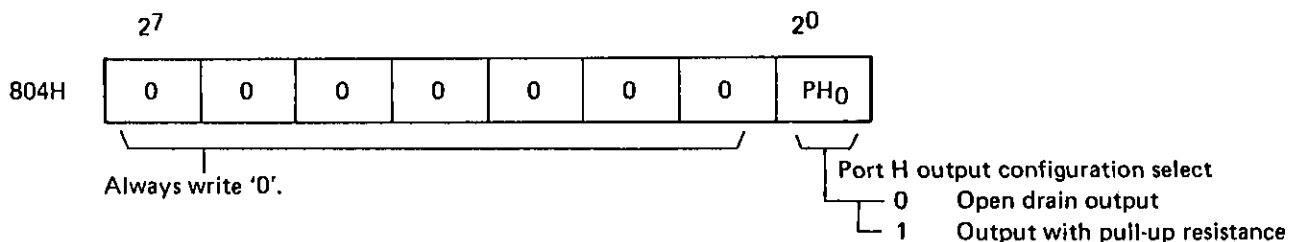
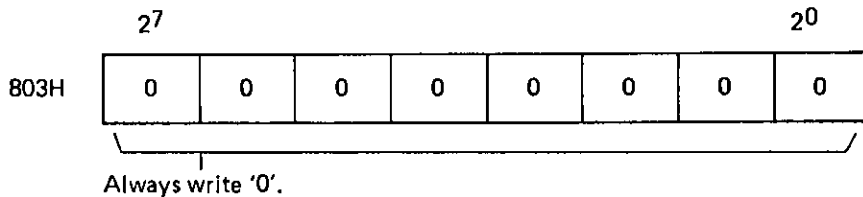
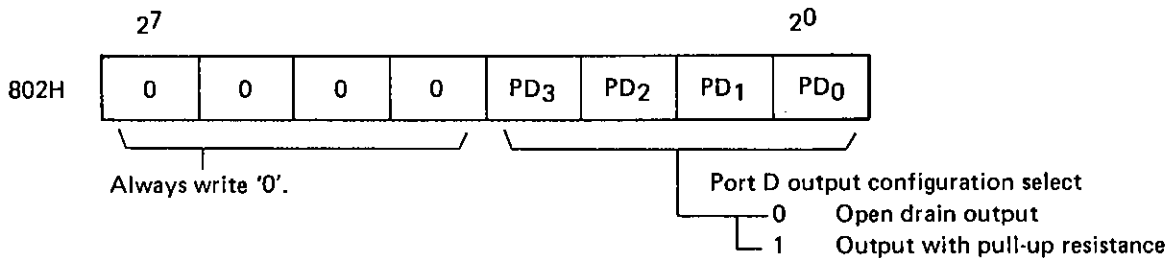
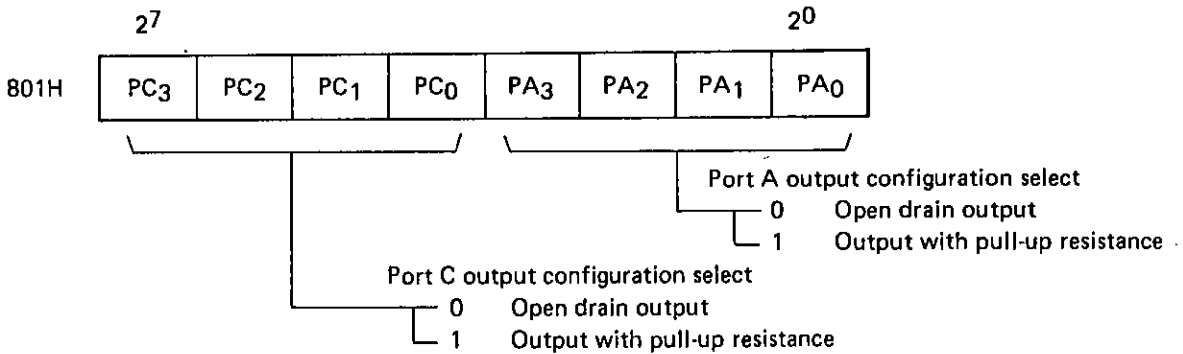
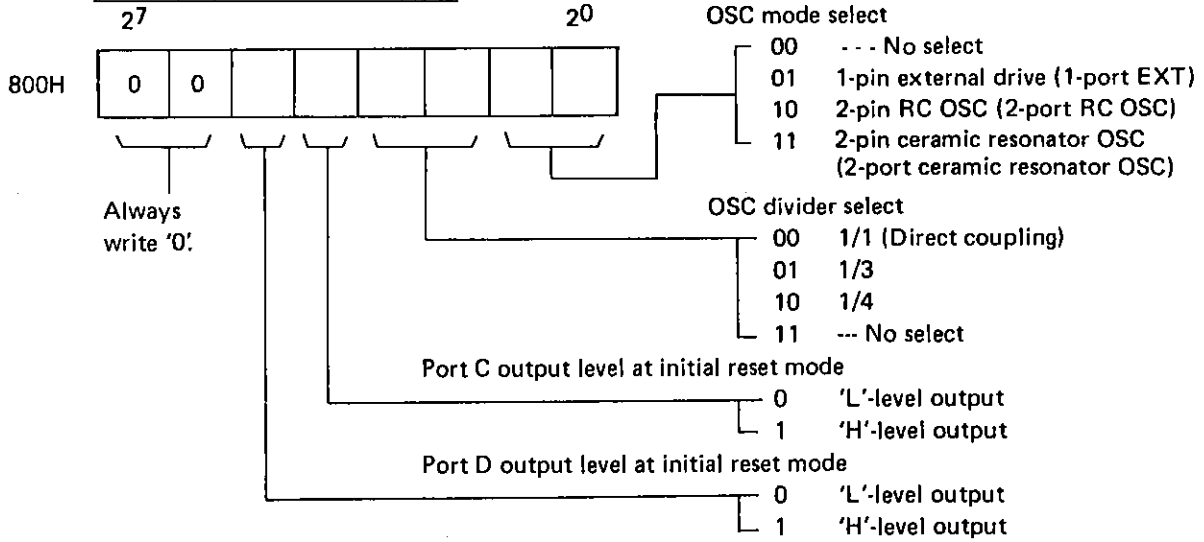
The Type No. of the EPROM to be submitted is 2732 or 2764.



LC6527N/F/L, LC6528N/F/L

C Version (LC6527N/L, LC6528N/L) Option Code Specifying Method

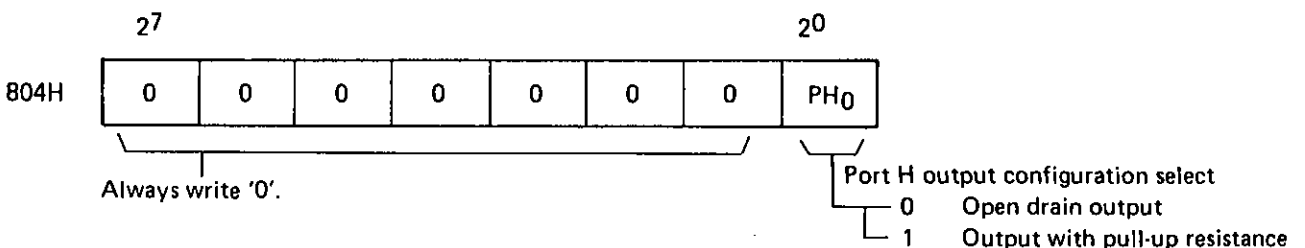
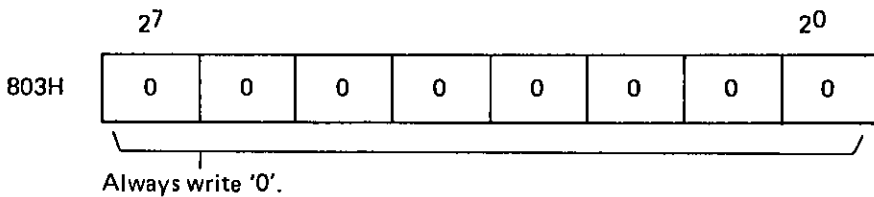
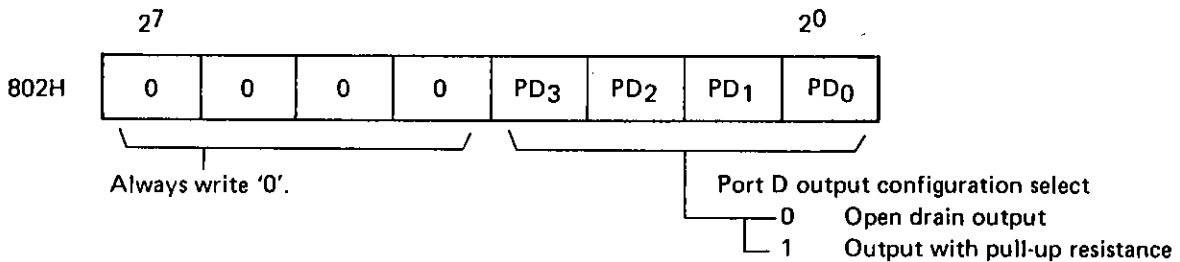
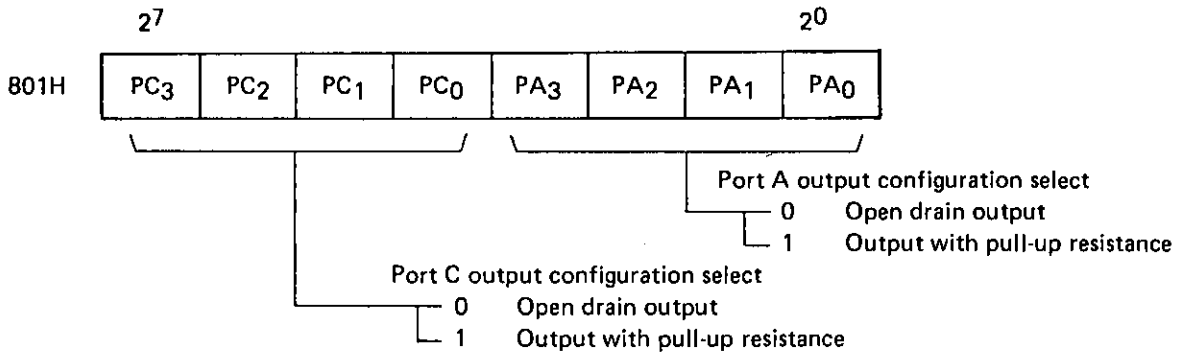
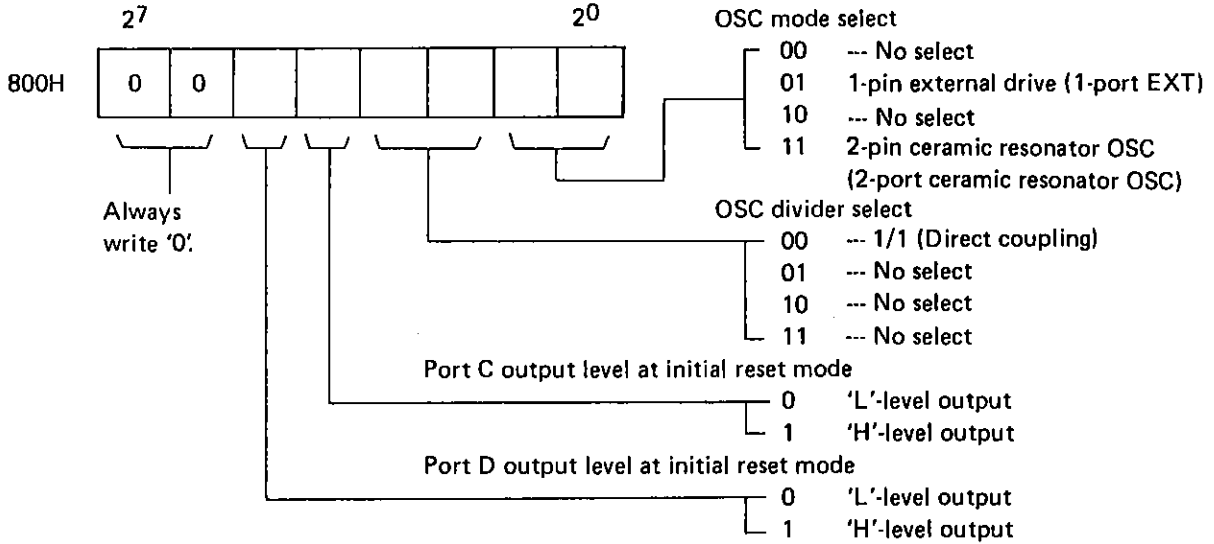
Always write '0' in the area of 0.



Note: When the 2-pin OSC mode is selected, always write '0'.

H Version (LC6527F, LC6528F) Option Code Specifying Method

Always write '0' in the area of 0.



Note: When the 2-pin OSC mode is selected, always write '0'.

Notes for Standby Function Application

The LC6527N/F/L, 6528N/F/L provide the standby function called HALT mode to minimize the current dissipation when the program is in the wait state.

The standby function is controlled by the HALT instruction, PA pin, $\overline{\text{RES}}$ pin.

A peripheral circuit and program must be so designed as to provide precise control of the standby function. In most applications where the standby function is performed, voltage regulation, instantaneous break of power, and external noise are not negligible. When designing an application circuit and program, whether or not to take some measures must be considered according to the extent to which these factors are allowed. This section mainly describes power failure backup for which the standby function is mostly used. A sample application circuit where the standby function is performed precisely is shown below and notes for circuit design and program design are also given below.

When using the standby function, the application circuit shown below must be used and the notes must be also fully observed.

If any other method than shown in this section is applied, it is necessary to fully check the environmental conditions such as power failure and the actual operation of application equipment.

1. HALT mode release conditions

The HALT mode setting, release conditions are shown in Table 1.

Table 1 HALT mode setting, release conditions

HALT mode setting conditions	HALT mode release conditions
HALT instruction Provided that PA ₃ is at high level.	① Reset (Low level is applied to $\overline{\text{RES}}$.) ② Low level is applied to PA ₃ .

Note) HALT mode release condition ② is available only when the RC mode is used for system clock generation; and unavailable when the ceramic resonator mode is used because the OSC circuit may not operate normally.

2. Proper cares in using standby function

When using the standby function, an application circuit and program must be designed with the following in mind.

- (1) The supply voltage at the standby state must not be less than specified.
- (2) Input timing and conditions of each control signal ($\overline{\text{RES}}$, PA₃) must be observed at the standby initiate/release state.
- (3) Release operation must not be overlapped at the time of execution of the HALT instruction.

A sample application where the standby function is used for power failure backup is shown below as a concrete method to observe these notes. A sample application circuit, its operation, and notes for program design are given below.

Sample application where the standby function is used for power failure backup.

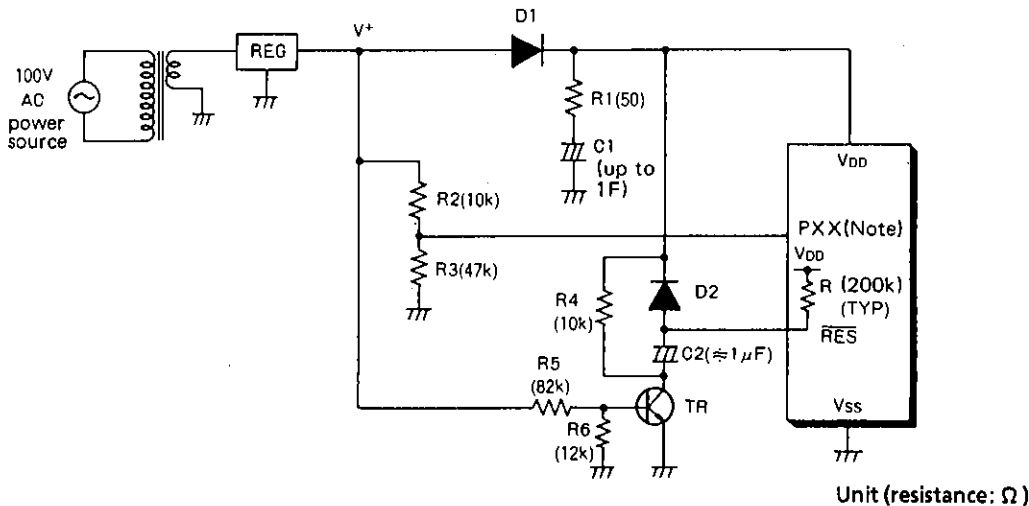
Power failure backup is an application where power failure of the main power source is detected and the HALT instruction is executed to cause the standby state to be entered. The power dissipation is minimized and a backup capacitor is used to retain the contents of the internal registers for a certain period of time. After power is restored, a reset occurs automatically and the execution of the program starts at address 000H of the program counter (PC). Shown below are sample applications where the program selects or not between power-ON reset and reset after power is restored, notes, measures for instantaneous break of AC power.

2-1. Sample application 1 where the standby function is used for power failure backup

Shown below is a sample application where the program does not select between power-ON reset and reset after power is restored.

2-1-1. Sample application circuit – (1)

Fig. 2-1 shows a sample application where the standby function is used for power failure backup.



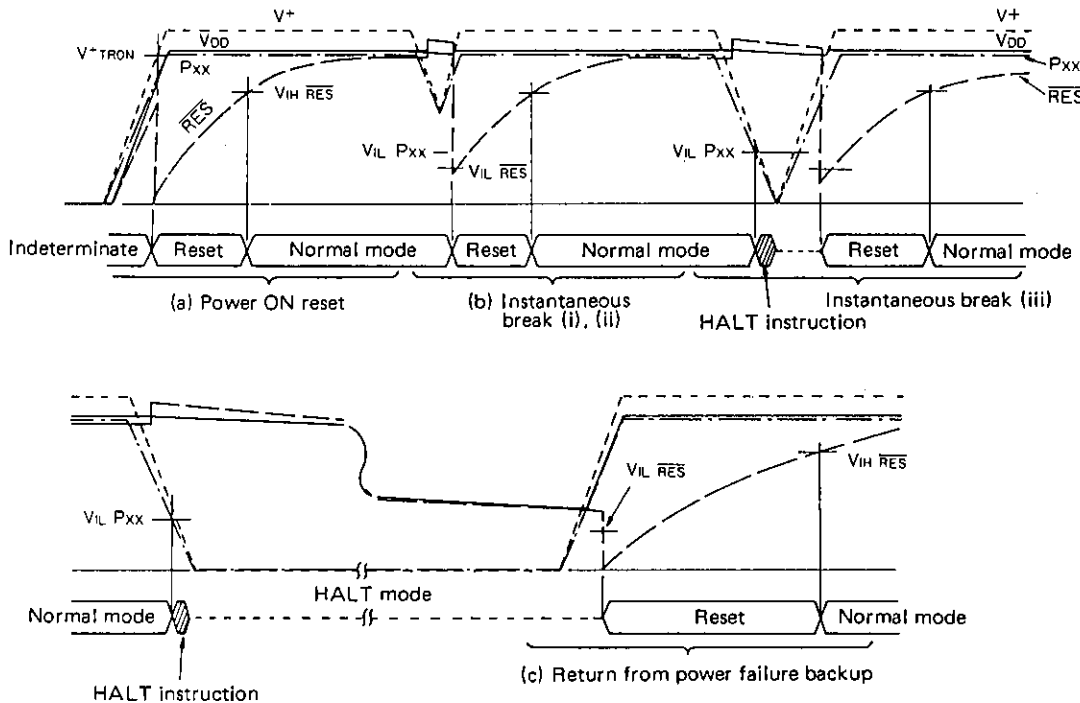
(Note) Normal input ports other than PA3

Fig. 2-1. Sample application – (1) where the standby function is used for power failure backup

2-1-2. Operating waveform in sample application circuit – (1)

The operating waveform in the sample application circuit in Fig. 2-1 is shown in Fig. 2-2. The mode is roughly divided as follows:

- (a) Power-ON reset
- (b) Instantaneous break of main power source
- (c) Return from power failure backup



V+TRON: V+ value when TR is turned ON/OFF

Fig. 2-2 Operating waveform in sample application circuit – (1)

2-1-3. Operation of sample application circuit – (1)

(a) At the time of power-ON reset

After power rises, a reset occurs automatically and the execution of the program starts at address 000H of the program counter (PC).

– Note –

This sample application circuit provides an indeterminate region where no reset occurs before the operating V_{DD} range is entered.

(b) At the time of instantaneous break

(i) When the P_{XX} input voltage does not meet V_{IL} (the P_{XX} input level does not get lower than input threshold level V_{IL}) and the \overline{RES} input voltage only meets V_{IL} :

A reset occurs in the normal mode, providing the same operation as power-ON reset.

(ii) When both of the P_{XX} input voltage and \overline{RES} input voltage do not meet V_{IL} :

The program continues running in the normal mode.

(iii) When both of the P_{XX} input voltage and \overline{RES} input voltage meet V_{IL} :

When two pollings do not regard the P_{XX} input voltage as “L” level, the HALT mode is not entered and reset occurs.

When two pollings regard the P_{XX} input voltage as “L” level, the HALT mode is entered and after power is restored a reset occurs, releasing the standby mode.

(c) At the time of return from power failure backup

After power is restored, a reset occurs, releasing the standby mode.

2-1-4. Notes for design of sample application circuit – (1)

• V^+ rise time and C2

Make the time constant (C2, R) of the reset circuit 10 times as long as the V^+ rise time. (R: ON-chip resistor, 200kohms typ.)

Make the V^+ rise time shorter (up to 20ms).

• R1 and C1

Make the R1 value as small as possible. Make the C1 value as large as possible according to the backup time calculated. (Fix the R1 value so that the C1 charging current does not exceed the power source capacity.)

• R2 and R3

Make the “H”-level input voltage applied to the P_{XX} pin equal to V_{DD} .

• R4

Fix the time constant of C2 and C4 so that C2 can discharge during the period of time from when V^+ gets lower than V^+_{TRON} (TR OFF) at the time of instantaneous break until the P_{XX} input voltage gets lower than V_{IL} (because release by reset is not available after the HALT mode is entered by instantaneous break).

• R5 and R6

Make V^+ ($V_{BE} \approx 0.6V$ is obtained by R5 and R6) when the reset circuit works (Tr ON) more than (operating V_{DD} min + V_F of diode D1).

Observing this note, make V^+ as low as possible to provide a reset early enough after power-ON.

• Backup time

The normal operation continues with a relatively high current dissipation from when power failure is detected by the P_{XX} until the HALT instruction is executed. Fix the C1 value so that the standby supply voltage is held during backup time of set + above-mentioned time.

2-1-5. Notes for software design

• Design the program so that port A3 is brought to “H” level at the standby mode.

• Check a standby request by polling the input port twice.

(Example)

```

      ⋮
BP1      AAA      ; 1st polling
BP1      AAA      ; 2nd polling
HALT     ; Standby
      ⋮

```

AAA:

2-2. Sample application 2 where the standby function is used for power failure backup

Shown below is a sample application where the program selects between power-ON reset and reset after power is restored.

2-2-1. Sample application circuit – (2) (No instantaneous break in power source)

Fig. 2-3 shows a sample application where the standby function is used for power failure backup.

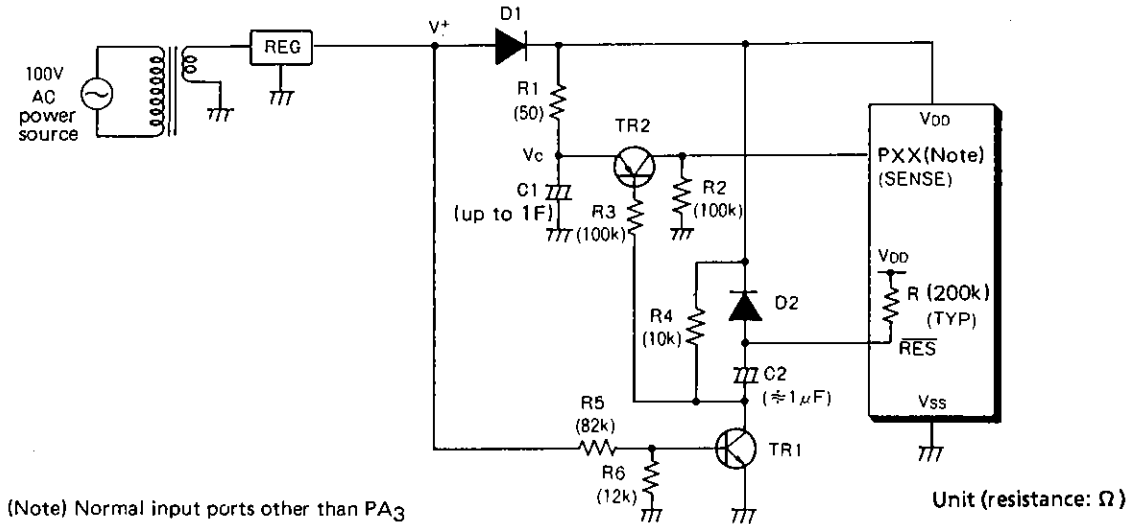


Fig. 2-3 Sample application – (2) where the standby function is used for power failure backup

2-2-2. Operating waveform in sample application circuit – (2)

The operating waveform in the sample application circuit in Fig. 2-3 is shown in Fig. 2-4. The mode is roughly divided as follows:

- (1) Power-ON reset
- (2) Return from power failure backup

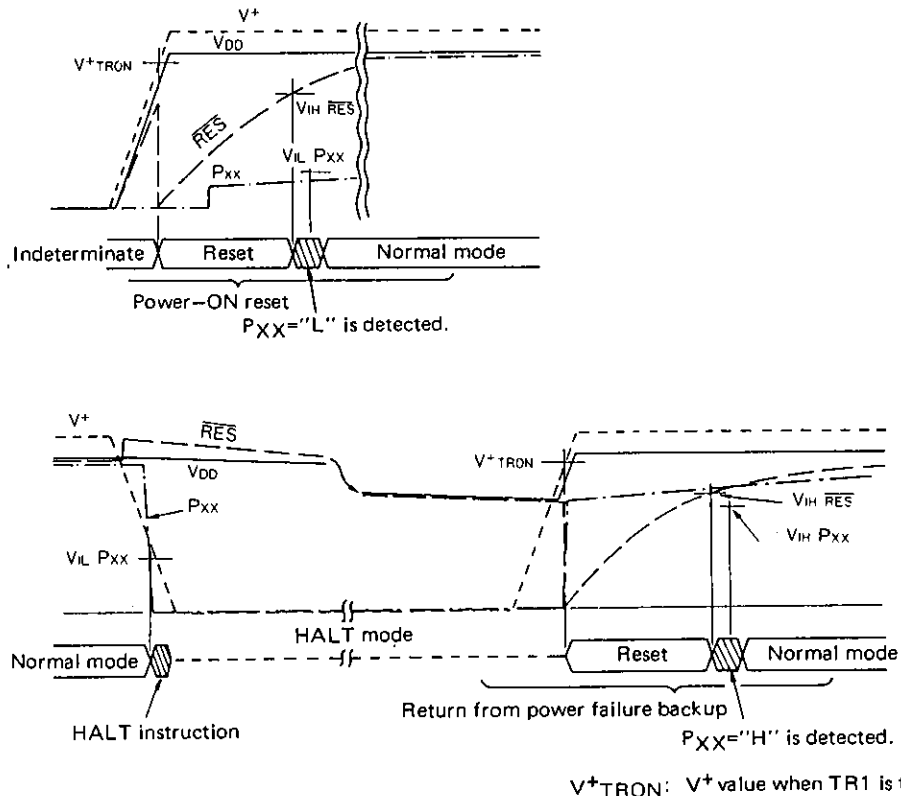


Fig. 2-4 Operating waveform in sample application circuit – (2)

2-2-3. Operation of sample application circuit – (2)

- (a) At the time of power-ON reset
The operation and notes are the same as for sample application circuit – (1), except that after reset release P_{XX}="L" is program-detected to decide program start after initial reset.
 - (b) Standby initiation
When one polling regards the P_{XX} input voltage as "L" level, the HALT mode is entered.
 - (c) At the time of return from power failure backup
After power is restored, a reset occurs, releasing the standby mode.
After standby release P_{XX}="H" is program-detected, deciding program start after power is restored.
- Note –
If power is restored after V_{DD} during power failure backup gets lower than V_{IH} on the P_{XX}, P_{XX}="L" may be program-detected, deciding program start after initial reset.

2-2-4. Notes for design of sample application circuit – (2)

- R2 and R3
Fix the R2 value so that R2 ≫ R1 is yielded and fix the R3 value so that I_B of TR2 is limited.
- R4
There is no severe restriction on the R4 value, but fix it so that C2 can discharge quickly.
Other notes are the same as for sample application circuit – (1).

2-2-5. Notes for software design

- Design the program so that port A₃ is brought to "H" level at the standby mode.
- Check a standby request by polling the input port once.

(Example)

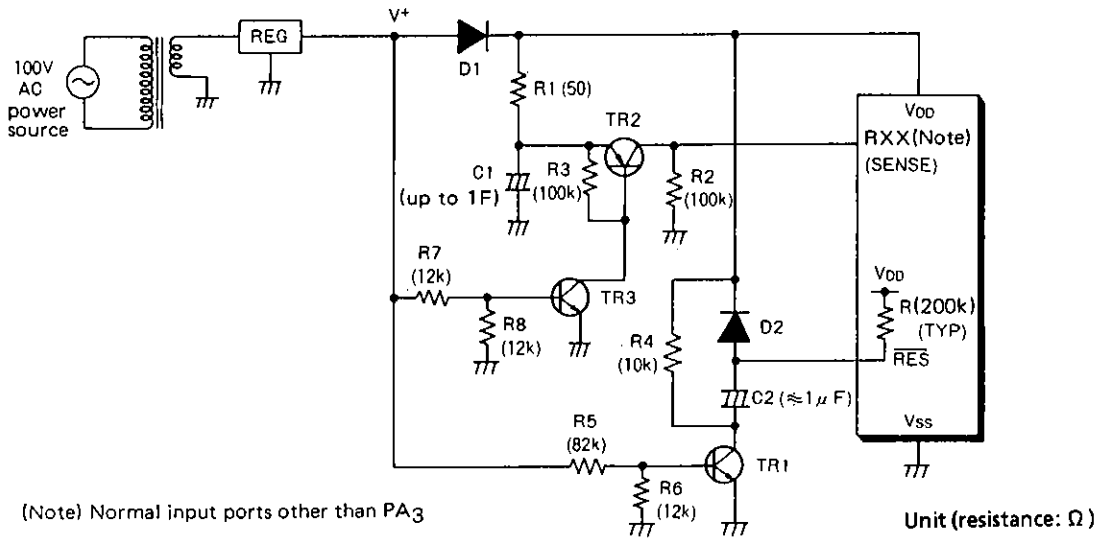
```

        BP1      AAA      ; Polling
        HALT    AAA      ; Standby
AAA:
    
```


2-3. Sample application 3 where the standby function is used for power failure backup

2-3-1. Sample application circuit – (3) (There is an instantaneous break in power source.)

Fig. 2-5 shows a sample application where the standby function is used for power failure backup.



(Note) Normal input ports other than PA₃

Fig. 2-5 Sample application – (3) where the standby function is used for power failure backup

2-3-2. Operating waveform in sample application circuit – (3)

The operating waveform in the sample application circuit in Fig. 2-5 is shown in Fig. 2-6. The mode is roughly divided as follows:

- (1) Power-ON reset
- (2) Instantaneous break of main power source
- (3) Return from power failure backup

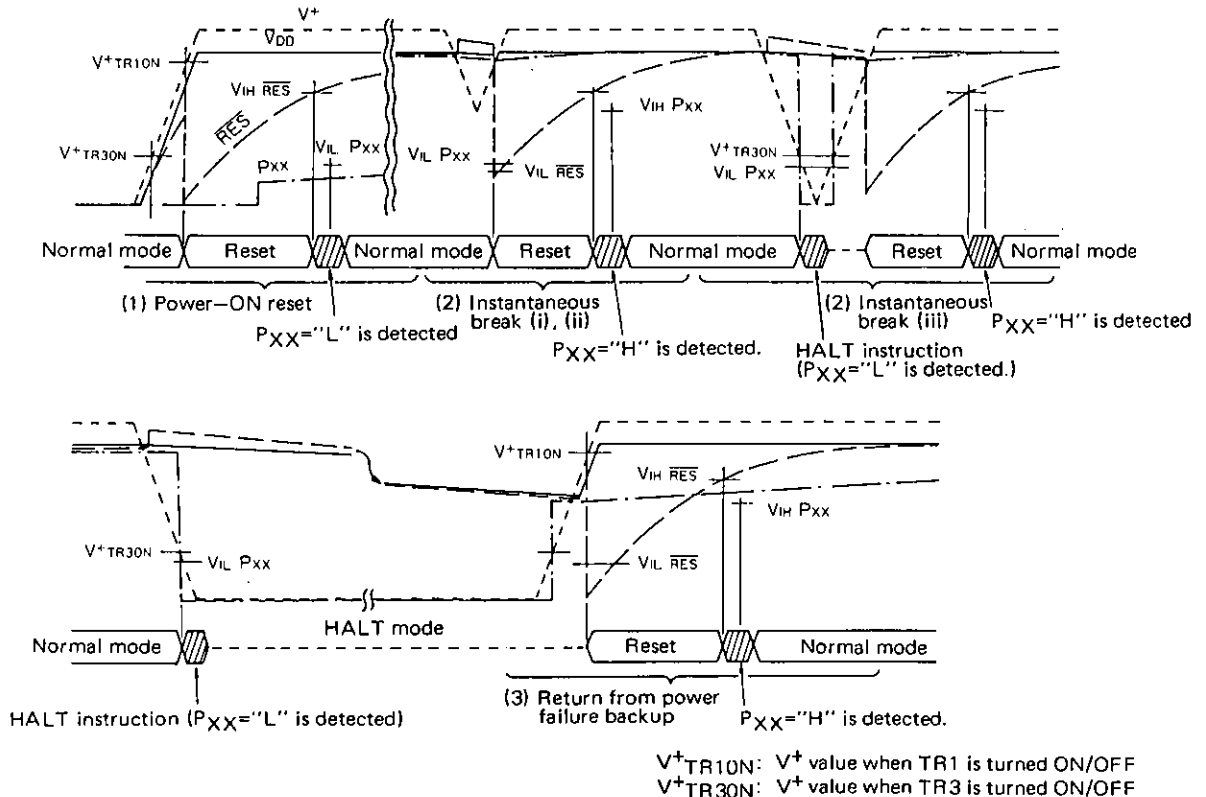


Fig. 2-6 Operating waveform in sample application circuit – (3)

V⁺_{TR1ON}: V⁺ value when TR1 is turned ON/OFF
 V⁺_{TR3ON}: V⁺ value when TR3 is turned ON/OFF

2-3-3. Operation of sample application circuit – (3)

(a) At the time of power-ON reset

The operation and notes are the same as for sample application circuit – (2)

(b) At the time of instantaneous break

(i) When the P_{XX} input voltage does not meet V_{IL} (the P_{XX} input level does not get lower than input threshold level V_{IL}) and the \overline{RES} input voltage only meets V_{IL} :

A reset occurs in the normal mode. After reset release $P_{XX}="H"$ is program-detected, deciding program start after instantaneous break.

(ii) When both of the P_{XX} input voltage and \overline{RES} input voltage do not meet V_{IL} :

The program continues running in the normal mode.

(iii) When both of the P_{XX} input voltage and \overline{RES} input voltage meet V_{IL} :

When two pollings do not regard the P_{XX} input voltage as "L" level, the HALT mode is not entered and a reset occurs.

When two pollings regard the P_{XX} input voltage as "L" level, the HALT mode is entered and after power is restored a reset occurs, releasing the standby mode. After standby release $P_{XX}="H"$ is program-detected, deciding program start after instantaneous break.

(c) At the time of return from power failure backup

The operation and notes are the same as for sample application circuit – (2)

2-3-4. Notes for design of sample application circuit – (3)

• R3

Bias resistance of TR2

• R7 and R8

Fix the R7 and R8 values so that TR3 is turned ON/OFF at approximately 1.5V of V^+ .

Other notes are the same as for sample application circuit – (1)

2-3-5. Notes for software design

Same as for sample application circuit – (1)

■ No products described or contained herein are intended for use in surgical implants, life-support systems, aerospace equipment, nuclear power control systems, vehicles, disaster/crime-prevention equipment and the like, the failure of which may directly or indirectly cause injury, death or property loss.

■ Anyone purchasing any products described or contained herein for an above-mentioned use shall:

- ① Accept full responsibility and indemnify and defend SANYO ELECTRIC CO., LTD., its affiliates, subsidiaries and distributors and all their officers and employees, jointly and severally, against any and all claims and litigation and all damages, cost and expenses associated with such use;
- ② Not impose any responsibility for any fault or negligence which may be cited in any such claim or litigation on SANYO ELECTRIC CO., LTD., its affiliates, subsidiaries and distributors or any of their officers and employees jointly or severally.

■ Information (including circuit diagrams and circuit parameters) herein is for example only; it is not guaranteed for volume production. SANYO believes information herein is accurate and reliable, but no guarantees are made or implied regarding its use or any infringements of intellectual property rights or other rights of third parties.