

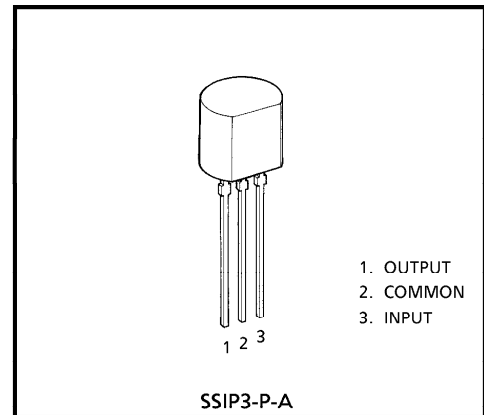
THREE TERMINAL POSITIVE VOLTAGE REGULATORS

5V, 7V, 8V, 9V, 10V, 12V, 15V

The TA78Lx xS series of fixed voltage monolithic integrated circuit voltage regulators is designed for a wide range of applications.

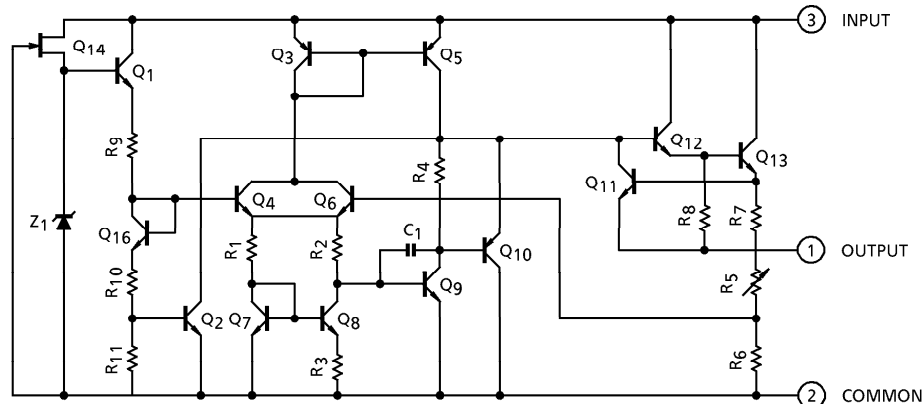
FEATURES

- Suitable for TTL, C²MOS Power Supply
- Internal Short-Circuit Current Limiting
- Internal Thermal Overload Protection
- Maximum Output Current of 100mA ($T_j = 25^\circ\text{C}$)
- TO-92 Package



Weight : 0.21g (Typ.)

EQUIVALENT CIRCUIT



© The information contained herein is presented only as a guide for the applications of our products. No responsibility is assumed by TOSHIBA CORPORATION for any infringements of intellectual property or other rights of the third parties which may result from its use. No license is granted by implication or otherwise under any intellectual property or other rights of TOSHIBA CORPORATION or others.

© These TOSHIBA products are intended for use in general commercial applications (office equipment, communication equipment, measuring equipment, domestic appliances, etc.). please make sure that you consult with us before you use these TOSHIBA products in equipment which requires extraordinarily high quality and/or reliability, and in equipment which may involve life threatening or critical application, including but not limited to such uses as atomic energy control, airplane or spaceship instrumentation, traffic signals, medical instrumentation, combustion control, all types of safety devices, etc. TOSHIBA cannot accept and hereby disclaims liability for any damage which may occur in case the TOSHIBA products are used in such equipment or applications without prior consultation with TOSHIBA.

MAXIMUM RATINGS (Ta = 25°C)

CHARACTERISTIC	SYMBOL	RATING	UNIT
Input Voltage	V _{IN}	35	V
Power Dissipation (Ta = 25°C)	P _D	600	mW
Operating Temperature	T _{opr}	-30~75	°C
Storage Temperature	T _{stg}	-55~150	°C
Operating Junction Temperature	T _j	-30~150	°C
Thermal Resistance	R _{th(j-a)}	208	°C/W

TA78L05S

ELECTRICAL CHARACTERISTICS

(Unless otherwise specified, V_{IN} = 10V, I_{OUT} = 40mA, C_{IN} = 0.33μF, C_{OUT} = 0.1μF, 0°C ≤ T_j ≤ 125°C)

CHARACTERISTIC	SYMBOL	TEST CIR-CUIT	TEST CONDITION	MIN.	TYP.	MAX.	UNIT	
Output Voltage	V _{OUT}	1	T _j = 25°C	4.8	5.0	5.2	V	
Line Regulation	Reg.line	1	T _j = 25°C	7.0V ≤ V _{IN} ≤ 20V	—	55	150	mV
			8.0V ≤ V _{IN} ≤ 20V	—	45	100		
Load Regulation	Reg.load	1	T _j = 25°C	1.0mA ≤ I _{OUT} ≤ 100mA	—	11	60	mV
				1.0mA ≤ I _{OUT} ≤ 40mA	—	5.0	30	
Output Voltage	V _{OUT}	1	T _j = 25°C	7.0V ≤ V _{IN} ≤ 20V	4.75	—	5.25	V
				1.0mA ≤ I _{OUT} ≤ 40mA	4.75	—	5.25	
				1.0mA ≤ I _{OUT} ≤ 70mA	4.75	—	5.25	
Quiescent Current	I _B	1	T _j = 25°C	—	3.1	6.0	mA	
			T _j = 125°C	—	—	5.5		
Quiescent Current Change	ΔI _B	1	T _j = 25°C	8.0V ≤ V _{IN} ≤ 20V	—	—	1.5	mA
				1.0mA ≤ I _{OUT} ≤ 40mA	—	—	0.1	
Output Noise Voltage	V _{NO}	2	Ta = 25°C, 10Hz ≤ f ≤ 100kHz	—	40	—	μV _{rms}	
Long Term Stability	ΔV _{OUT} / Δt	1	—	—	12	—	mV / 1.0kh	
Ripple Rejection	R.R.	3	f = 120Hz, T _j = 25°C 8.0V ≤ V _{IN} ≤ 18V	41	49	—	dB	
Dropout Voltage	V _{IN} - V _{OUT}	1	T _j = 25°C	—	1.7	—	V	
Average Temperature Coefficient of Output Voltage	T _{CVO}	1	I _{OUT} = 5mA	—	-0.6	—	mV / °C	

TA78L07S

ELECTRICAL CHARACTERISTICS

(Unless otherwise specified, $V_{IN} = 12V$, $I_{OUT} = 40mA$, $C_{IN} = 0.33\mu F$, $C_{OUT} = 0.1\mu F$, $0^{\circ}C \leq T_j \leq 125^{\circ}C$)

CHARACTERISTIC	SYMBOL	TEST CIR-CUIT	TEST CONDITION	MIN.	TYP.	MAX.	UNIT	
Output Voltage	V_{OUT}	1	$T_j = 25^{\circ}C$	6.72	7.0	7.28	V	
Line Regulation	Reg.line	1	$T_j = 25^{\circ}C$	$9.2V \leq V_{IN} \leq 22V$	—	50	160	mV
				$10V \leq V_{IN} \leq 22V$	—	45	115	
Load Regulation	Reg.load	1	$T_j = 25^{\circ}C$	$1.0mA \leq I_{OUT} \leq 100mA$	—	13	75	mV
				$1.0mA \leq I_{OUT} \leq 40mA$	—	6.0	40	
Output Voltage	V_{OUT}	1	$T_j = 25^{\circ}C$	$9.2V \leq V_{IN} \leq 22V$	6.65	—	7.35	V
				$1.0mA \leq I_{OUT} \leq 40mA$	6.65	—	7.35	
				$1.0mA \leq I_{OUT} \leq 70mA$	6.65	—	7.35	
Quiescent Current	I_B	1	$T_j = 25^{\circ}C$	—	3.1	6.5	mA	
			$T_j = 125^{\circ}C$	—	—	6.0		
Quiescent Current Change	ΔI_B	1	$10V \leq V_{IN} \leq 22V$	—	—	1.5	mA	
			$1.0mA \leq I_{OUT} \leq 40mA$	—	—	0.1		
Output Noise Voltage	V_{NO}	2	$T_a = 25^{\circ}C$, $10Hz \leq f \leq 100kHz$	—	50	—	μV_{rms}	
Long Term Stability	$\Delta V_{OUT} / \Delta t$	1	—	—	17	—	mV / 1.0kh	
Ripple Rejection	R.R.	3	$f = 120Hz$, $T_j = 25^{\circ}C$ $10V \leq V_{IN} \leq 20V$	37	46	—	dB	
Dropout Voltage	$ V_{IN} - V_{OUT} $	1	$T_j = 25^{\circ}C$	—	1.7	—	V	
Average Temperature Coefficient of Output Voltage	T_{CVO}	1	$I_{OUT} = 5mA$	—	-0.84	—	mV / $^{\circ}C$	

TA78L08S

ELECTRICAL CHARACTERISTICS

(Unless otherwise specified, $V_{IN} = 14V$, $I_{OUT} = 40mA$, $C_{IN} = 0.33\mu F$, $C_{OUT} = 0.1\mu F$, $0^{\circ}C \leq T_j \leq 125^{\circ}C$)

CHARACTERISTIC	SYMBOL	TEST CIR-CUIT	TEST CONDITION	MIN.	TYP.	MAX.	UNIT	
Output Voltage	V_{OUT}	1	$T_j = 25^{\circ}C$	7.7	8.0	8.3	V	
Line Regulation	Reg.line	1	$T_j = 25^{\circ}C$	$10.5V \leq V_{IN} \leq 23V$	—	20	175	mV
				$11V \leq V_{IN} \leq 23V$	—	12	125	
Load Regulation	Reg.load	1	$T_j = 25^{\circ}C$	$1.0mA \leq I_{OUT} \leq 100mA$	—	15	80	mV
				$1.0mA \leq I_{OUT} \leq 40mA$	—	7.0	40	
Output Voltage	V_{OUT}	1	$T_j = 25^{\circ}C$	$10.5V \leq V_{IN} \leq 23V$	7.6	—	8.4	V
				$1.0mA \leq I_{OUT} \leq 40mA$	7.6	—	8.4	
				$1.0mA \leq I_{OUT} \leq 70mA$	7.6	—	8.4	
Quiescent Current	I_B	1	$T_j = 25^{\circ}C$	—	3.1	6.5	mA	
			$T_j = 125^{\circ}C$	—	—	6.0		
Quiescent Current Change	ΔI_B	1	$11V \leq V_{IN} \leq 23V$	$1.0mA \leq I_{OUT} \leq 40mA$	—	—	1.5	mA
				$1.0mA \leq I_{OUT} \leq 40mA$	—	—	0.1	
Output Noise Voltage	V_{NO}	2	$T_a = 25^{\circ}C$, $10Hz \leq f \leq 100kHz$	—	60	—	μV_{rms}	
Long Term Stability	$\Delta V_{OUT} / \Delta t$	1	—	—	20	—	mV / 1.0kh	
Ripple Rejection	R.R.	3	$f = 120Hz$, $T_j = 25^{\circ}C$ $12V \leq V_{IN} \leq 23V$	37	45	—	dB	
Dropout Voltage	$ V_{IN} - V_{OUT} $	1	$T_j = 25^{\circ}C$	—	1.7	—	V	
Average Temperature Coefficient of Output Voltage	T_{CVO}	1	$I_{OUT} = 5mA$	—	-0.97	—	mV / $^{\circ}C$	

TA78L09S

ELECTRICAL CHARACTERISTICS

(Unless otherwise specified, $V_{IN} = 15V$, $I_{OUT} = 40mA$, $C_{IN} = 0.33\mu F$, $C_{OUT} = 0.1\mu F$, $0^{\circ}C \leq T_j \leq 125^{\circ}C$)

CHARACTERISTIC	SYMBOL	TEST CIRCUIT	TEST CONDITION	MIN.	TYP.	MAX.	UNIT	
Output Voltage	V_{OUT}	1	$T_j = 25^{\circ}C$	8.64	9.0	9.36	V	
Line Regulation	Reg.line	1	$T_j = 25^{\circ}C$	$11.4V \leq V_{IN} \leq 24V$	—	80	200	mV
				$12V \leq V_{IN} \leq 24V$	—	20	160	
Load Regulation	Reg.load	1	$T_j = 25^{\circ}C$	$1.0mA \leq I_{OUT} \leq 100mA$	—	17	90	mV
				$1.0mA \leq I_{OUT} \leq 40mA$	—	8.0	45	
Output Voltage	V_{OUT}	1	$T_j = 25^{\circ}C$	$11.4V \leq V_{IN} \leq 24V$	8.55	—	9.45	V
				$1.0mA \leq I_{OUT} \leq 40mA$	8.55	—	9.45	
				$1.0mA \leq I_{OUT} \leq 70mA$	8.55	—	9.45	
Quiescent Current	I_B	1	$T_j = 25^{\circ}C$	—	3.2	6.5	mA	
			$T_j = 125^{\circ}C$	—	—	6.0		
Quiescent Current Change	ΔI_B	1	$12V \leq V_{IN} \leq 24V$	—	—	1.5	mA	
			$1.0mA \leq I_{OUT} \leq 40mA$	—	—	0.1		
Output Noise Voltage	V_{NO}	2	$T_a = 25^{\circ}C$, $10Hz \leq f \leq 100kHz$	—	65	—	μV_{rms}	
Long Term Stability	$\Delta V_{OUT} / \Delta t$	1	—	—	21	—	mV / 1.0kh	
Ripple Rejection	R.R.	3	$f = 120Hz$, $T_j = 25^{\circ}C$ $12V \leq V_{IN} \leq 24V$	36	44	—	dB	
Dropout Voltage	$ V_{IN} - V_{OUT} $	1	$T_j = 25^{\circ}C$	—	1.7	—	V	
Average Temperature Coefficient of Output Voltage	T_{CVO}	1	$I_{OUT} = 5mA$	—	-1.09	—	mV / $^{\circ}C$	

TA78L10S

ELECTRICAL CHARACTERISTICS

(Unless otherwise specified, $V_{IN} = 16V$, $I_{OUT} = 40mA$, $C_{IN} = 0.33\mu F$, $C_{OUT} = 0.1\mu F$, $0^{\circ}C \leq T_j \leq 125^{\circ}C$)

CHARACTERISTIC	SYMBOL	TEST CIR-CUIT	TEST CONDITION	MIN.	TYP.	MAX.	UNIT	
Output Voltage	V_{OUT}	1	$T_j = 25^{\circ}C$	9.6	10	10.4	V	
Line Regulation	Reg.line	1	$T_j = 25^{\circ}C$	$12.5V \leq V_{IN} \leq 25V$	—	80	230	mV
				$13V \leq V_{IN} \leq 25V$	—	30	170	
Load Regulation	Reg.load	1	$T_j = 25^{\circ}C$	$1.0mA \leq I_{OUT} \leq 100mA$	—	18	90	mV
				$1.0mA \leq I_{OUT} \leq 40mA$	—	8.5	45	
Output Voltage	V_{OUT}	1	$T_j = 25^{\circ}C$	$12.5V \leq V_{IN} \leq 25V$	9.5	—	10.5	V
				$1.0mA \leq I_{OUT} \leq 40mA$				
				$1.0mA \leq I_{OUT} \leq 70mA$	9.5	—	10.5	
Quiescent Current	I_B	1	$T_j = 25^{\circ}C$	—	3.2	6.5	mA	
			$T_j = 125^{\circ}C$	—	—	6.0		
Quiescent Current Change	ΔI_B	1	$13V \leq V_{IN} \leq 25V$	$1.0mA \leq I_{OUT} \leq 40mA$	—	—	1.5	mA
					—	—	0.1	
Output Noise Voltage	V_{NO}	2	$T_a = 25^{\circ}C$, $10Hz \leq f \leq 100kHz$	—	70	—	μV_{rms}	
Long Term Stability	$\Delta V_{OUT} / \Delta t$	1	—	—	22	—	mV / 1.0kh	
Ripple Rejection	R.R.	3	$f = 120Hz$, $T_j = 25^{\circ}C$ $13V \leq V_{IN} \leq 24V$	36	43	—	dB	
Dropout Voltage	$ V_{IN} - V_{OUT} $	1	$T_j = 25^{\circ}C$	—	1.7	—	V	
Average Temperature Coefficient of Output Voltage	T_{CVO}	1	$I_{OUT} = 5mA$	—	-1.21	—	mV / $^{\circ}C$	

TA78L12S

ELECTRICAL CHARACTERISTICS

(Unless otherwise specified, $V_{IN} = 19V$, $I_{OUT} = 40mA$, $C_{IN} = 0.33\mu F$, $C_{OUT} = 0.1\mu F$, $0^{\circ}C \leq T_j \leq 125^{\circ}C$)

CHARACTERISTIC	SYMBOL	TEST CIR-CUIT	TEST CONDITION	MIN.	TYP.	MAX.	UNIT	
Output Voltage	V_{OUT}	1	$T_j = 25^{\circ}C$	11.5	12	12.5	V	
Line Regulation	Reg.line	1	$T_j = 25^{\circ}C$	$14.5V \leq V_{IN} \leq 27V$	—	120	250	mV
				$16V \leq V_{IN} \leq 27V$	—	100	200	
Load Regulation	Reg.load	1	$T_j = 25^{\circ}C$	$1.0mA \leq I_{OUT} \leq 100mA$	—	20	100	mV
				$1.0mA \leq I_{OUT} \leq 40mA$	—	10	50	
Output Voltage	V_{OUT}	1	$T_j = 25^{\circ}C$	$14.5V \leq V_{IN} \leq 27V$	11.4	—	12.6	V
				$1.0mA \leq I_{OUT} \leq 40mA$	11.4	—	12.6	
				$1.0mA \leq I_{OUT} \leq 70mA$	11.4	—	12.6	
Quiescent Current	I_B	1	$T_j = 25^{\circ}C$	—	3.2	6.5	mA	
			$T_j = 125^{\circ}C$	—	—	6.0		
Quiescent Current Change	ΔI_B	1	$16V \leq V_{IN} \leq 27V$	$1.0mA \leq I_{OUT} \leq 40mA$	—	—	1.5	mA
					—	—	0.1	
Output Noise Voltage	V_{NO}	2	$T_a = 25^{\circ}C$, $10Hz \leq f \leq 100kHz$	—	80	—	μV_{rms}	
Long Term Stability	$\Delta V_{OUT} / \Delta t$	1	—	—	24	—	mV / 1.0kh	
Ripple Rejection	R.R.	3	$f = 120Hz$, $T_j = 25^{\circ}C$ $15V \leq V_{IN} \leq 25V$	36	41	—	dB	
Dropout Voltage	$ V_{IN} - V_{OUT} $	1	$T_j = 25^{\circ}C$	—	1.7	—	V	
Average Temperature Coefficient of Output Voltage	T_{CVO}	1	$I_{OUT} = 5mA$	—	-1.45	—	mV / $^{\circ}C$	

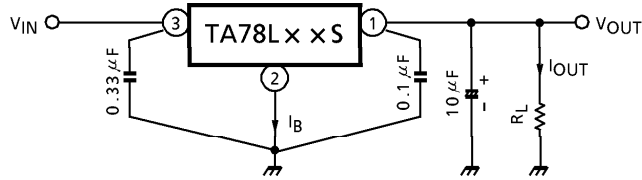
TA78L15S

ELECTRICAL CHARACTERISTICS

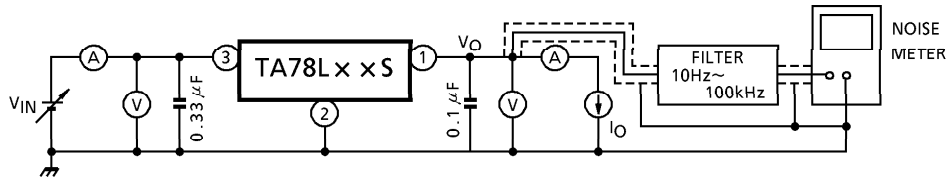
(Unless otherwise specified, $V_{IN} = 23V$, $I_{OUT} = 40mA$, $C_{IN} = 0.33\mu F$, $C_{OUT} = 0.1\mu F$, $0^{\circ}C \leq T_j \leq 125^{\circ}C$)

CHARACTERISTIC	SYMBOL	TEST CIR-CUIT	TEST CONDITION	MIN.	TYP.	MAX.	UNIT	
Output Voltage	V_{OUT}	1	$T_j = 25^{\circ}C$	14.4	15	15.6	V	
Line Regulation	Reg.line	1	$T_j = 25^{\circ}C$	$17.5V \leq V_{IN} \leq 30V$	—	130	300	mV
				$20V \leq V_{IN} \leq 30V$	—	110	250	
Load Regulation	Reg.load	1	$T_j = 25^{\circ}C$	$1.0mA \leq I_{OUT} \leq 100mA$	—	25	150	mV
				$1.0mA \leq I_{OUT} \leq 40mA$	—	12	75	
Output Voltage	V_{OUT}	1	$T_j = 25^{\circ}C$	$17.5V \leq V_{IN} \leq 30V$	14.25	—	15.75	V
				$1.0mA \leq I_{OUT} \leq 40mA$	14.25	—	15.75	
				$1.0mA \leq I_{OUT} \leq 70mA$	14.25	—	15.75	
Quiescent Current	I_B	1	$T_j = 25^{\circ}C$	—	3.3	6.5	mA	
			$T_j = 125^{\circ}C$	—	—	6.0		
Quiescent Current Change	ΔI_B	1	$20V \leq V_{IN} \leq 30V$	—	—	1.5	mA	
			$1.0mA \leq I_{OUT} \leq 40mA$	—	—	0.1		
Output Noise Voltage	V_{NO}	2	$T_a = 25^{\circ}C$, $10Hz \leq f \leq 100kHz$	—	90	—	μV_{rms}	
Long Term Stability	$\Delta V_{OUT} / \Delta t$	1	—	—	30	—	mV / 1.0kh	
Ripple Rejection	R.R.	3	$f = 120Hz$, $T_j = 25^{\circ}C$ $18.5V \leq V_{IN} \leq 28.5V$	34	40	—	dB	
Dropout Voltage	$ V_{IN} - V_{OUT} $	1	$T_j = 25^{\circ}C$	—	1.7	—	V	
Average Temperature Coefficient of Output Voltage	T_{CVO}	1	$I_{OUT} = 5mA$	—	-1.82	—	mV / $^{\circ}C$	

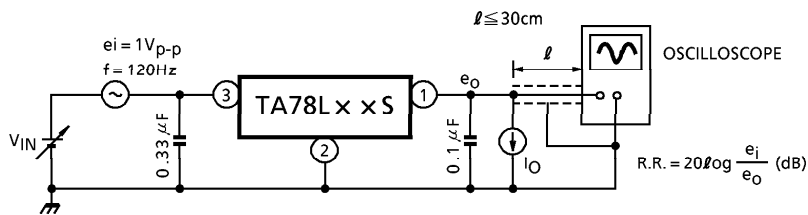
TEST CIRCUIT 1 / STANDARD APPLICATION



TEST CIRCUIT 2 V_{NO}



TEST CIRCUIT 3 R.R.

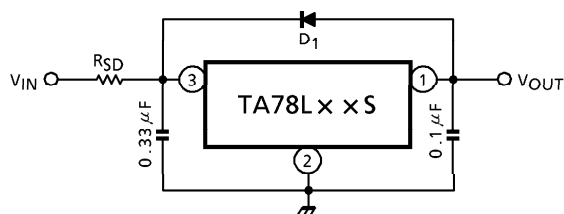


Precautions for Use

If high voltage in excess of output voltage (TYP. value) of IC is applied to its output terminal, IC may be destroyed. In this case, connect a Zener diode between the output terminal and GND to prevent application of excessive voltage. In particular, in such a current boosting circuit as shown in Application Circuit Example (2), if input voltage is suddenly applied by stages and furthermore, load is light, excessive voltage may be applied transiently to the output terminal of IC. In such a case as this, it may become necessary to increase capacity of output capacitor as appropriate, use a smaller R₁ (a resistor for bypassing IC bias current) or gradually rise input voltage in addition to use of a Zener diode as mentioned above.

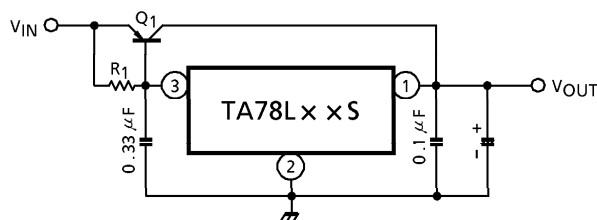
APPLICATION CIRCUIT

(1) STANDARD APPLICATION



D₁ : IC protective diode
When surge voltage is applied to IC output terminal or V_{IN} < V_{OUT} at the time of power ON/OFF, always connect the high speed swithing diode D₁.
R_{SD} : Power limiting resistor
If V_{IN} is too high, always connect R_{SD} in order to reduce power consumption of IC.

(2) A. CURRENT BOOST VOLTAGE REGULATOR

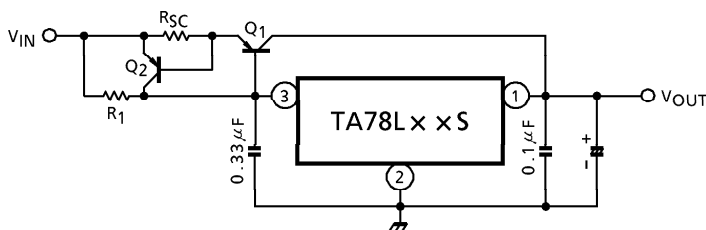


Use a required rediation plate for Q₁.

$$R_1 \leq \frac{V_{BE1}}{I_B \text{ MAX}}$$

where, V_{BE1} : V_{BE} of external transistor Q₁.
I_B MAX : Max. bias current of IC.

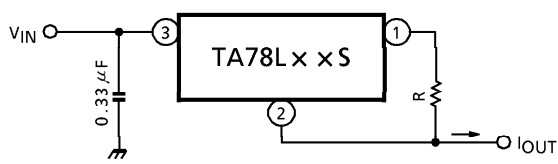
B. SHORT-CIRCUIT PROTECTION



$$R_{SC} = \frac{V_{BE2}}{I_{SC}}$$

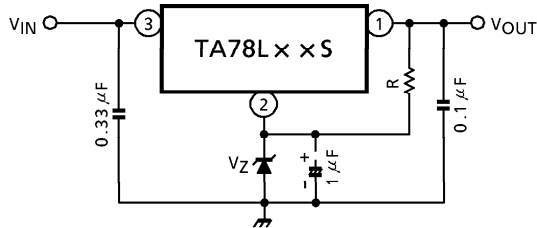
where, I_{SC} : Short-Circuit current

(3) CURRENT REGULATOR

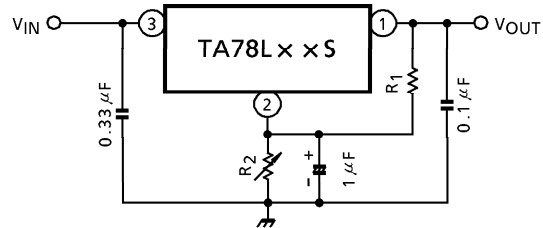


$$I_{OUT} = \frac{V_{OUT}}{R} + I_B$$

(4) VOLTAGE BOOST REGULATOR

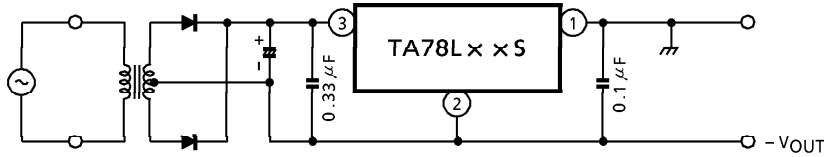


$V_{OUT} = V_Z + V_{OUT}(\text{of IC})$
Apply current of several mA to R.

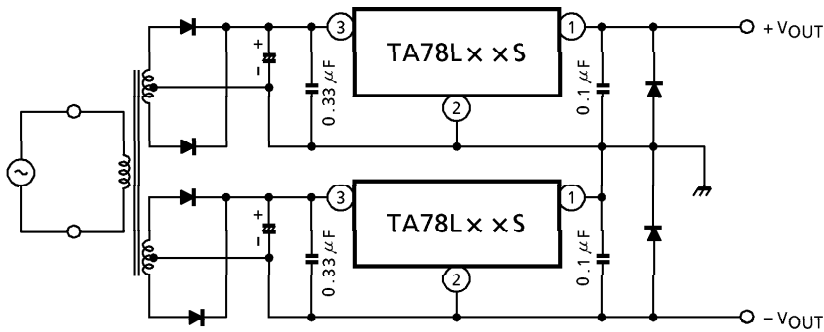


$$V_{OUT} = R_2 \left(I_B + \frac{V_{OUT}(\text{of IC})}{R_1} \right) + V_{OUT}(\text{of IC})$$

(5) NEGATIVE REGULATOR

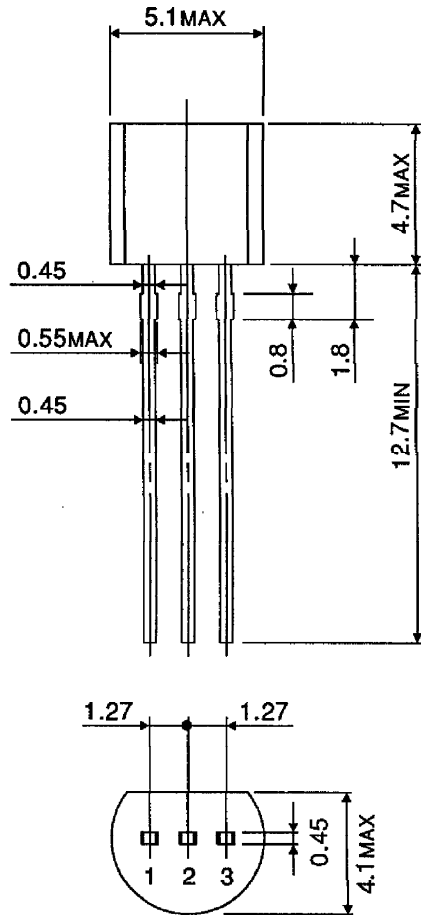


(6) POSITIVE AND NEGATIVE REGULATOR



OUTLINE DRAWING
SSIP3-P-A

Unit : mm



Weight : 0.21g (Typ.)