

BIPOLAR ANALOG INTEGRATED CIRCUIT

μ PC8126K

900 MHz BAND DIRECT QUADRATURE MODULATOR IC FOR DIGITAL MOBILE COMMUNICATION SYSTEMS

DESCRIPTION

The μ PC8126K is a silicon monolithic integrated circuit designed as quadrature modulator for digital mobile communication systems. This IC integrates a pre-mixer for local signals plus a quadrature modulator operating from 889 MHz to 960 MHz. The chip which has been conventionally packaged in 20-pin SSOP is packaged in 28-pin QFN and therefore is suitable for higher density mounting. In addition, the IC has power save function and can operate 2.7 to 3.6 V supply voltage. Consequently the μ PC8126K can contribute to make RF blocks smaller size, higher performance and lower power consumption.

FEATURES

- Directly modulate in 889 MHz to 960 MHz
- Built-in pre-mixer for local signals
- External IF filter can be applied between modulator output and pre-mixer input terminal.
- Current consumption $I_{cc} = 35$ mA TYP. @ $V_{cc} = 3.0$ V
- Equipped with power save function.
- 28-pin QFN suitable for higher density mounting.

APPLICATIONS

- Digital cellular phones: PDC800M

ORDERING INFORMATION

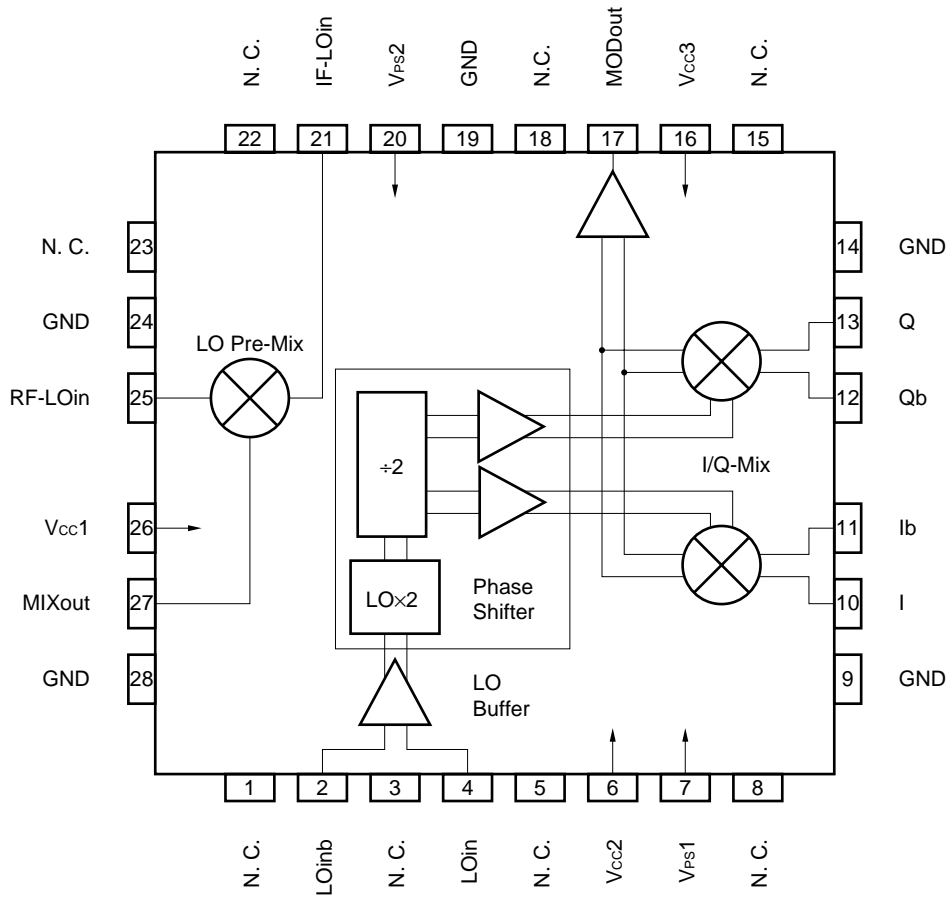
Part Number	Package	Supplying Form
μ PC8126K-E1	28-pin plastic QFN (5.1 × 5.5 × 0.95 mm)	Embossed tape 12 mm wide. QTY 2.5 kp/reel. Pins 1 through 10 are in pull-out direction.

Remark To order evaluation samples, please contact your local NEC sales office .
(Part number for sample order: μ PC8126K)

Caution Electro-static sensitive device

The information in this document is subject to change without notice.

INTERNAL BLOCK DIAGRAM AND PIN CONNECTIONS (Top View)

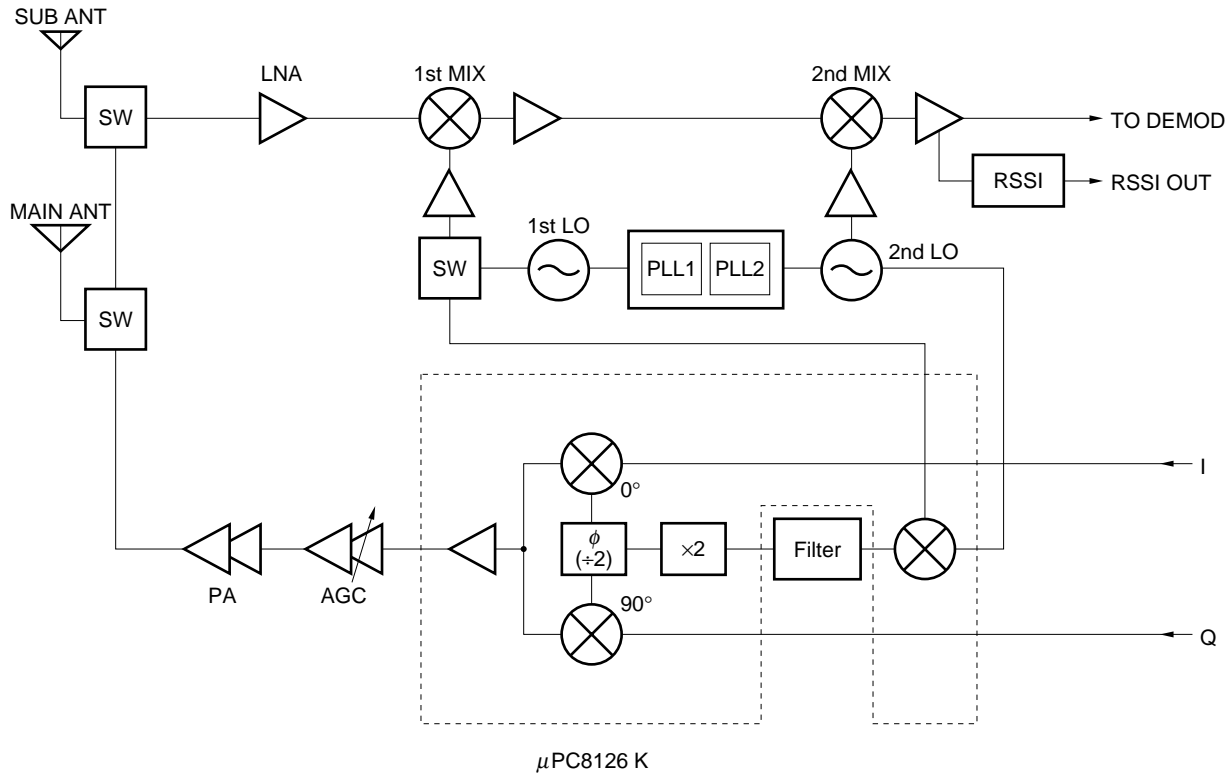


QUADRATURE MODULATOR SERIES PRODUCT

Part Number	Functions	I _{CC} (mA)	f _{LO1in} (MHz)	f _{MODout} (MHz)	Up-Converter f _{RFout} (MHz)	Phase Shifter	Package	Application
μPC8101GR	150 MHz Quad.Mod	15/@2.7 V	100 to 300	50 to 150	External	F/F	20-pin SSOP (225 mil)	CT-2 etc.
μPC8104GR	RF Up-Converter + IF Quad.Mod	28/@3.0 V	100 to 400		900 to 1 900	Doubler + F/F	20-pin SSOP (225 mil)	Digital Comm.
μPC8105GR	400 MHz Quad.Mod	16/@3.0 V	100 to 400		External			
μPC8110GR	1 GHz Direct Quad.Mod	24/@3.0 V	800 to 1 000		Direct		20-pin SSOP (225 mil)	PDC800 MHz, etc.
μPC8125GR	RF Up-Converter + IF Quad.Mod + AGC	36/@3.0 V	220 to 270		1 800 to 2 000			PHS
μPC8126GR	900 MHz Direct Quad.Mod with Offset-Mixer	35/@3.0 V	915 to 960		915 to 960 (LO pre-mixer)			PDC800 MHz
μPC8126K			889 to 960		889 to 960		28-pin QFN	
μPC8129GR	×2LO IF Quad. Mod+RF Up-Converter	28/@3.0 V	200 to 800	100 to 400	800 to 1 900	F/F	20-pin SSOP (225 mil)	GSM, DCS1800, etc.
μPC8139GR-7JH	Transceiver IC (1.9 GHz Indirect Quad. Mod + RX-IF + IF VCO)	TX: 32.5 RX: 4.8 /@3.0 V	220 to 270		1 800 to 2 000	CR	30-pin TSSOP (225 mil)	PHS
μPC8158K	RF Up-Converter + IF Quad.Mod + AGC	28/@3.0 V	100 to 300		800 to 1 500		28-pin QFN	PDC800 M/1.5 G

Remark For outline of the quadrature modulator series, please refer to the application note **Usage of μPC8101, 8104, 8105, 8125, 8129 (Document No. P13251E)** and so on.

APPLICATION EXAMPLE
[PDC800 MHz]



This block diagram presents the IC's location example applied in the system. The system block construction herein is an example.

ABSOLUTE MAXIMUM RATINGS

Parameter	Symbol	Test Conditions	Rating	Unit
Supply Voltage	V _{CC}	T _A = +25 °C	4.0	V
Power Save Control Voltage	V _{PS}	T _A = +25 °C	4.0	V
Power Dissipation	P _D	T _A = +85 °C ^{Note}	430	mW
Operating Ambient Temperature	T _A		-40 to +85	°C
Storage Temperature	T _{stg}		-55 to +150	°C

Note Mounted on a 50 × 50 × 1.6 mm double sided copper clad epoxy glass PWB.

RECOMMENDED OPERATING CONDITIONS

Parameter	Symbol	Test Conditions	MIN.	TYP.	MAX.	Unit
Supply Voltage	V _{CC}		2.7	3.0	3.6	V
Operating Ambient Temperature	T _A		-25	+25	+75	°C
Pre-Mix. RF Input Frequency	f _{RFIn}		689	-	1 200	MHz
Pre-Mix. RF Input Power	P _{RFIn}		-13	-11	-9	dBm
Pre-Mix. IF Input Frequency	f _{IFIn}	P (f _{IF} × 7) ≤ -65 dBc	120	135	270	MHz
Pre-Mix. IF Input Power	P _{IFIn}		-14	-12	-10	dBm
Pre-Mix. Output Frequency (Modulator Output Frequency, Modulator LO Input Frequency)	f _{MIXout} (f _{MODout} , f _{LOin})	f _{IFIn} = 200 MHz	889	-	898	MHz
		f _{IFIn} = 135 MHz	915	-	960	MHz
Modulator LO Input Power	P _{LOin}		-21.5	-18.5	-15.5	dBm
I/Q Input Frequency	f _{I/Qin}		DC	-	10	MHz
I/Q Input Amplitude	V _{I/Qin}	Single ended Input	-	-	500	mV _{P-P}
		Differential Input	-	-	250	

ELECTRICAL CHARACTERISTICS

(T_A = +25°C, V_{CC1} = V_{CC2} = V_{CC3} = 3.0 V, V_{PS1}, V_{PS2} ≥ 2.2 V unless otherwise specified)

Parameter		Symbol	Test Conditions	MIN.	TYP.	MAX.	Unit
MODULATOR + PRE-MIXER TOTAL (TEST CIRCUIT 1 unless otherwise specified)							
Total Circuit Current		I _{CC} (TOTAL)	No Input Signals	24	35	44	mA
Total Circuit Current at Sleep Mode		I _{CC(PS)} TOTAL	V _{PS} ≤ 0.5 V (Low), No Input Signals	–	0	15	μA
Modulator Output Power		P _{MODout}	f _{IFin} = 135 MHz, P _{IFin} = –12 dBm f _{RFin} = 813 MHz, P _{RFin} = –11 dBm	–12	–9	–6	dBm
Local Oscillator Leakage		LOL ^{Note}	f _{MODout} = 948 MHz + f _{I/Q} f _{I/Qin} = 2.625 kHz	–	–35	–30	dBc
Image Rejection		ImR	V _{I/Qin} = 500 mV _{P-P} (Single ended)	–	–40	–30	dBc
I/Q 3rd Order Intermodulation		IM ₃ (I/Q)	I/Q (DC) = I _b /Q _b (DC) = V _{CC} /2 Data Rate: 42 kbps, RNYQ: α = 0.5	–	–45	–30	dBc
f _{IF-LO} × 7 Harmonics		P (f _{IF} × 7)	MOD Pattern: All Zero	–	–	–65	dBc
Power Save Response Time	Rise Time	T _{PS} (RISE)	V _{PS} : Low to High, TEST CIRCUIT 2	–	3	5	μs
	Fall Time	T _{PS} (FALL)	V _{PS} : High to Low, TEST CIRCUIT 2	–	3	5	μs
Error Vector Magnitude		EVM	f _{IFin} = 135 MHz, P _{IFin} = –12 dBm f _{RFin} = 813 MHz, P _{RFin} = –11 dBm f _{MODout} = 948 MHz + f _{I/Q} f _{I/Qin} = 2.625 kHz V _{I/Qin} = 500 mV _{P-P} (Single ended)	–	1.6	3.5	% _{rms}
Adjacent Channel Power		ACP (Δf = ±50 kHz)	I/Q (DC) = I _b /Q _b (DC) = V _{CC} /2 Data Rate: 42 kbps, RNYQ: α = 0.5 MOD Pattern: PN9 (Pseudo-random pattern)	–	–65	–60	dBc
Port Current-7 pin		I _{PS} (7 pin)	No Input Signals	–	–	620	μA
Port Current-17 pin		I _{PS} (17 pin)	No Input Signals	–	–	400	μA

Note f_{LOL} = f_{IFin} + f_{RFin}

STANDARD CHARACTERISTICS FOR REFERENCE

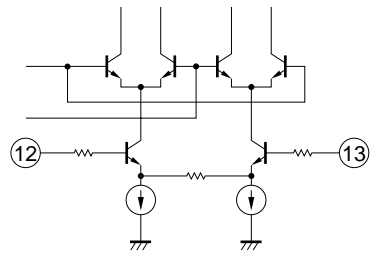
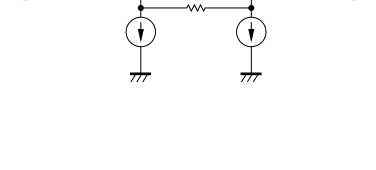



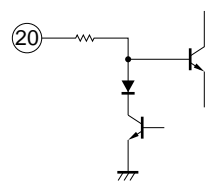
(T_A = +25°C, V_{cc1} = V_{cc2} = V_{cc3} = 3.0 V, V_{ps1}, V_{ps2} ≥ 2.2 V unless otherwise specified)

Parameter	Symbol	Test Conditions	MIN.	TYP.	MAX.	Unit
MODULATOR (TEST CIRCUIT 3)						
Modulator Circuit Current	I _{cc (MOD)}	No Input Signals	–	27.5	34	mA
Modulator Circuit Current at Sleep Mode	I _{cc (PS) (MOD)}	V _{PS} ≤ 0.5 V (Low), No Input Signals	–	0	10	μA
Input Impedance I and Q Port	Z _{I/Qin}	f _{I/Q} = DC to 10 MHz	90	180	–	kΩ
Modulator Output Port VSWR	VSWR (MOD)	f _{MODout} = 948 MHz	–	1.5:1	–	–
PRE-MIXER (TEST CIRCUIT 4)						
Pre-Mixer Circuit Current	I _{cc (MIX)}	No Input Signals	–	7.5	10	mA
Pre-Mixer Circuit Current at Sleep Mode	I _{cc (PS) (MIX)}	V _{PS} ≤ 0.5 V (Low), No Input Signals	–	0	5	μA
Pre-Mixer Conversion Gain	CG (MIX)	f _{RFin} = 813 MHz, P _{RFin} = –11 dBm f _{IFin} = 135 MHz, P _{IFin} = –12 dBm	–5	–3	–1	dB
Pre-Mixer Output Power	P _{out (MIX)}	f _{MIXout} = 948 MHz	–17	–15	–13	dBm

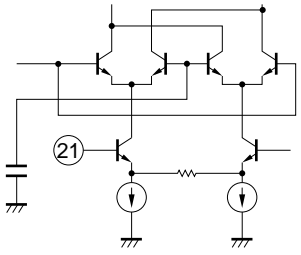

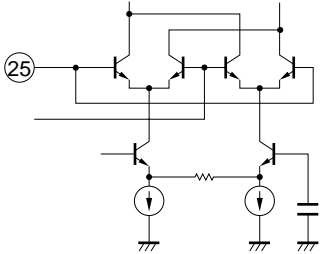

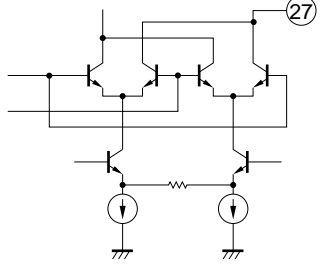


PIN EXPLANATIONS

Pin No.	Symbol	Supply Voltage (V)	Pin Voltage (V) @3 V	Description	Equivalent Circuit						
2	LOinb	–	2.6	Bypass of LO input for modulator. This pin should be externally grounded through around 33 pF capacitor.							
4	LOin	–	2.6	LO input for the phase shifter. Connect around 300 Ω between pin 4 and 5 to match to 50 Ω by LC.							
6	Vcc2	2.7 to 3.6	–	Supply voltage pin for the phase shifter and IQ Mixer. An internal regulator helps keep the device stable against temperature or Vcc variation.							
7	Vps1 (Modulator)	Vps	–	Power save control pin for the modulator can control On/Sleep state with bias as follows. <table border="1" style="margin-top: 10px;"> <thead> <tr> <th>Vps (V)</th> <th>State</th> </tr> </thead> <tbody> <tr> <td>2.2 to 3.6</td> <td>ON (Active Mode)</td> </tr> <tr> <td>0 to 0.5</td> <td>OFF (Sleep Mode)</td> </tr> </tbody> </table>	Vps (V)	State	2.2 to 3.6	ON (Active Mode)	0 to 0.5	OFF (Sleep Mode)	
Vps (V)	State										
2.2 to 3.6	ON (Active Mode)										
0 to 0.5	OFF (Sleep Mode)										
9	GND (Modulator)	0	–	Ground pin for the modulator. Connect to the ground with minimum inductance. Track length should be kept as short as possible.							
10	I	Vcc/2	–	Input for I signal. This input impedance is 180 kΩ. In case of that I/Q input signals are single ended, amplitude of the signal is 500 mV _{P-P} max. Note							
11	Ib	Vcc/2	–	Input for I signal. This input impedance is 180 kΩ. In case of that I/Q input signals are single ended, Vcc/2 biased DC signal should be input. In case of that I/Q input signals are differential, amplitude of the signal is 250 mV _{P-P} max. Note							

Note Relations between amplitude and Vcc/2 bias of input signal are following.

Pin No.	Symbol	Supply Voltage (V)	Pin Voltage (V) @3 V	Description	Equivalent Circuit						
12	Qb	$V_{CC}/2$	–	Input for Q signal. This input impedance is 180 kΩ. In case of that I/Q input signals are single ended, $V_{CC}/2$ biased DC signal should be input. In case of that I/Q input signals are differential, amplitude of the signal is 250 mV _{P-P} max. Note							
13	Q	$V_{CC}/2$	–	Input for Q signal. This input impedance is 180 kΩ. In case of that I/Q input signals are single ended, amplitude of the signal is 500 mV _{P-P} max. Note							
14	GND (Modulator)	0	–	Ground pin for the modulator. Connect to the ground with minimum inductance. Track length should be kept as short as possible.							
16	V _{CC3}	2.7 to 3.6	–	Supply voltage pin for the output buffer amplifier of modulator. An internal regulator helps keep the device stable against temperature or V _{CC} variation.							
17	MODout	–	1.6	Output pin from the modulator. This is emitter follower output. So this output impedance is low.							
19	GND (Modulator)	0	–	Ground pin for the modulator. Connect to the ground with minimum inductance. Track length should be kept as short as possible.							
20	V _{PS2} (Pre-Mix)	V _{PS}	–	Power save control pin can control the On/Sleep state with bias as follows. <table border="1" data-bbox="649 1575 998 1711"> <thead> <tr> <th>V_{PS} (V)</th> <th>State</th> </tr> </thead> <tbody> <tr> <td>2.2 to 3.6</td> <td>ON (Active Mode)</td> </tr> <tr> <td>0 to 0.5</td> <td>OFF (Sleep Mode)</td> </tr> </tbody> </table>	V _{PS} (V)	State	2.2 to 3.6	ON (Active Mode)	0 to 0.5	OFF (Sleep Mode)	
V _{PS} (V)	State										
2.2 to 3.6	ON (Active Mode)										
0 to 0.5	OFF (Sleep Mode)										

Note Relations between amplitude and $V_{CC}/2$ bias of input signal are following.

Pin No.	Symbol	Supply Voltage (V)	Pin Voltage (V) @3 V	Description	Equivalent Circuit
21	IF-LOin	–	1.3	IF input pin for the Pre-Mixer. This pin is biased internally. Capacitor should be connected in series, and grounded through 51 Ω.	
24	GND (Pre-Mix)	0	–	Ground pin for Pre-Mixer. Connect to the ground with minimum inductance. Track length should be kept as short as possible.	
25	RF-LOin	–	2.3	RF input pin for the Pre-Mixer. This pin is biased internally. Capacitor should be connected in series, and grounded through 51 Ω.	
26	Vcc1 (Pre-Mix)	2.7 to 3.6	–	Supply voltage pin for the Pre-Mixer. An internal regulator helps keep the device stable against temperature or Vcc variation.	
27	Pre-Mixout	2.7 to 3.6	–	Output from the Pre-Mixer. This pin is designed as open collector. Due to the high impedance output, this pin should be externally equipped with LC matching circuit to next stage.	
28	GND (Modulator)	0	–	Ground pin for the modulator. Connect to the ground with minimum inductance. Track length should be kept as short as possible.	
1, 3, 5, 8, 15, 18, 22, 23	N.C.	–	–	Non connection pins.	

RELATION BETWEEN I/Q PIN INPUT DC VOLTAGE AND AMPLITUDE

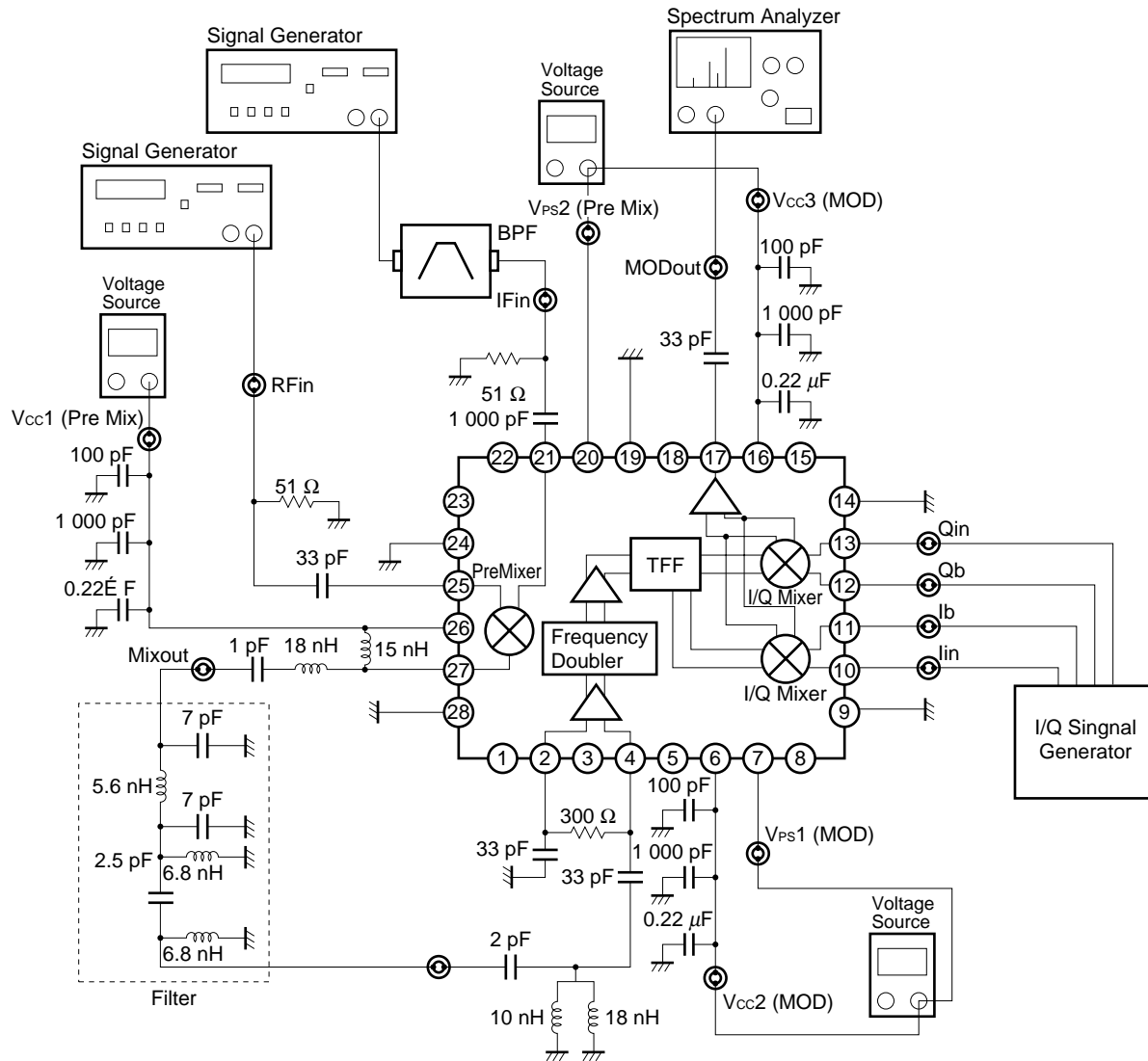
Supply Voltage (V) V_{cc}	I/Q DC Voltage (V) $V_{cc}/2 = I = I_b = Q = Q_b$	I/Q input signal (mV _{P-P})	
		Single ended input $I = Q$	Differential input $I = I_b = Q = Q_b$
2.7 to 3.6	1.35 to 1.8	≤ 500	≤ 250

EXPLANATION OF INTERNAL FUNCTION

Block	Function/Operation	Block Diagram
90° PHASE SHIFTER	Input signal from LO is send to digital circuit of T-type flip-flop through frequency doubler. Output signal from T-type F/F is changed to same frequency as LO input and that have quadrature phase shift, 0°, 90°, 180°, 270°. These circuits have function of self phase correction to make correctly quadrature signals.	
BUFFER AMP.	Buffer amplifiers for each phase signals to send to each mixers.	
MIXER	Each signals from buffer amp. are quadrature modulated with two double-balanced mixers. High accurate phase and amplitude inputs are realized to good performance for image rejection.	
ADDER	Output signals from each mixers are added with adder and send to final amplifier.	

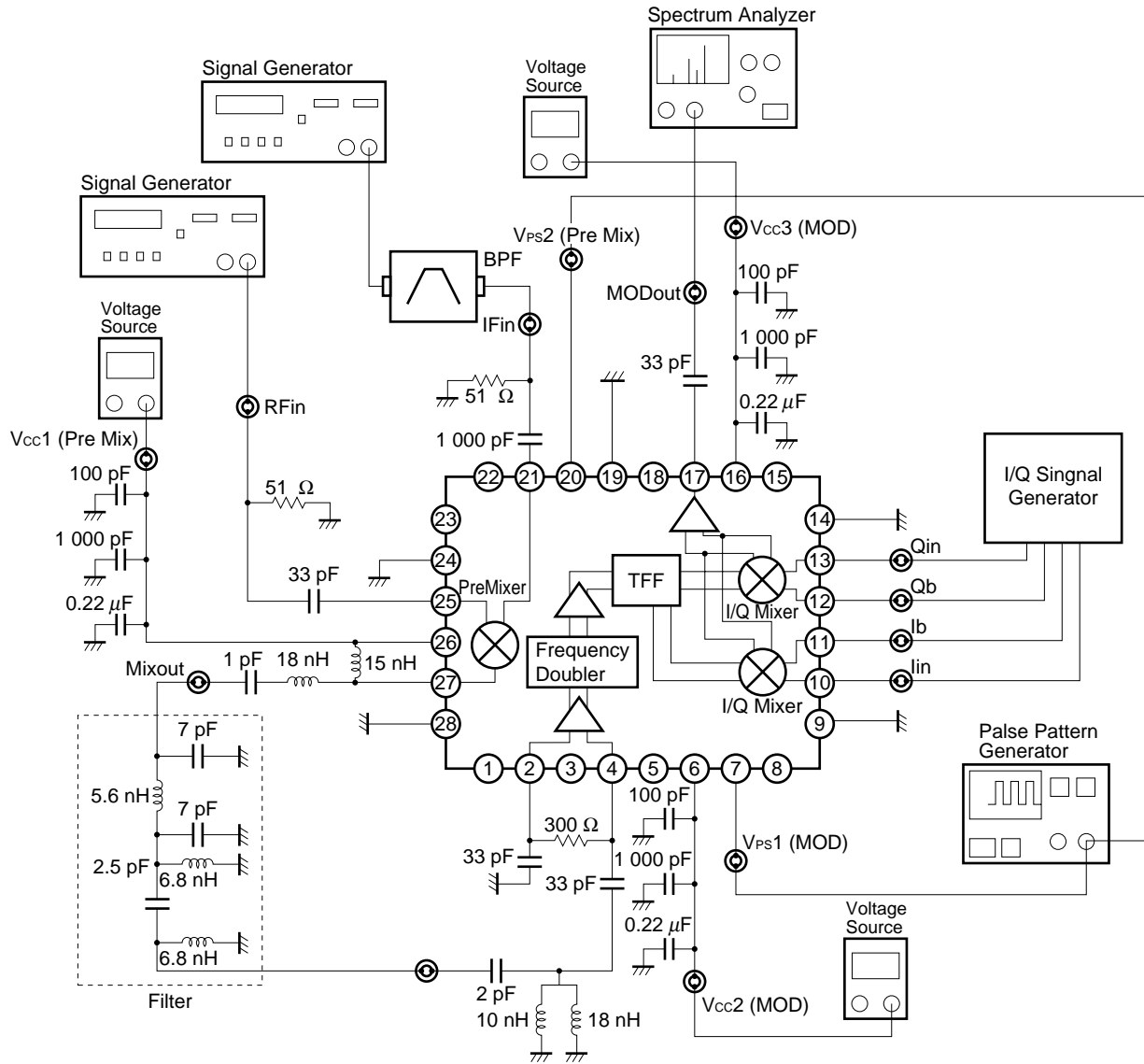
TEST CIRCUIT 1

Pre-mixer + Quadrature modulator (except Power save response time)

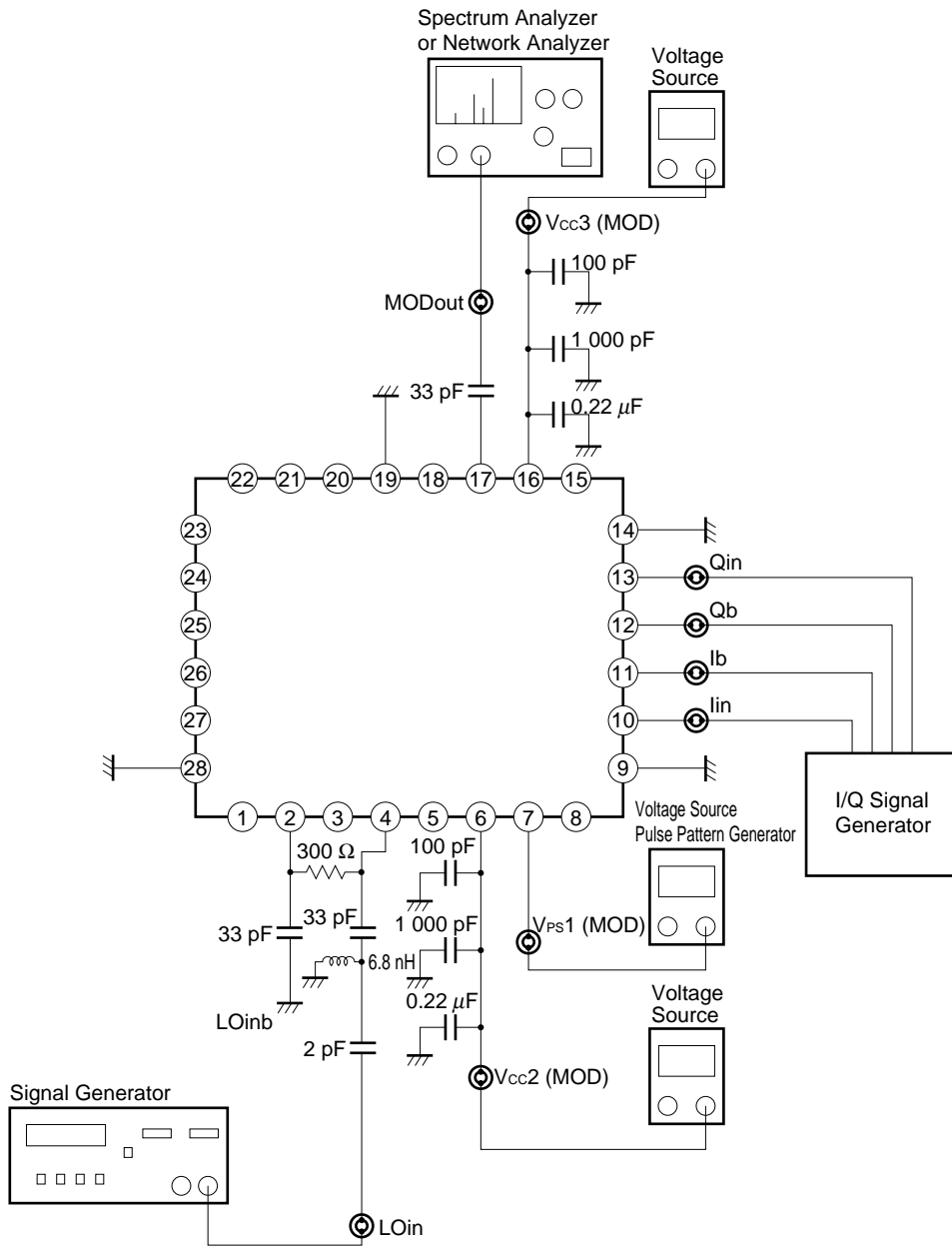


TEST CIRCUIT 2

Pre-mixer + Quadrature modulator (for Power save response time)

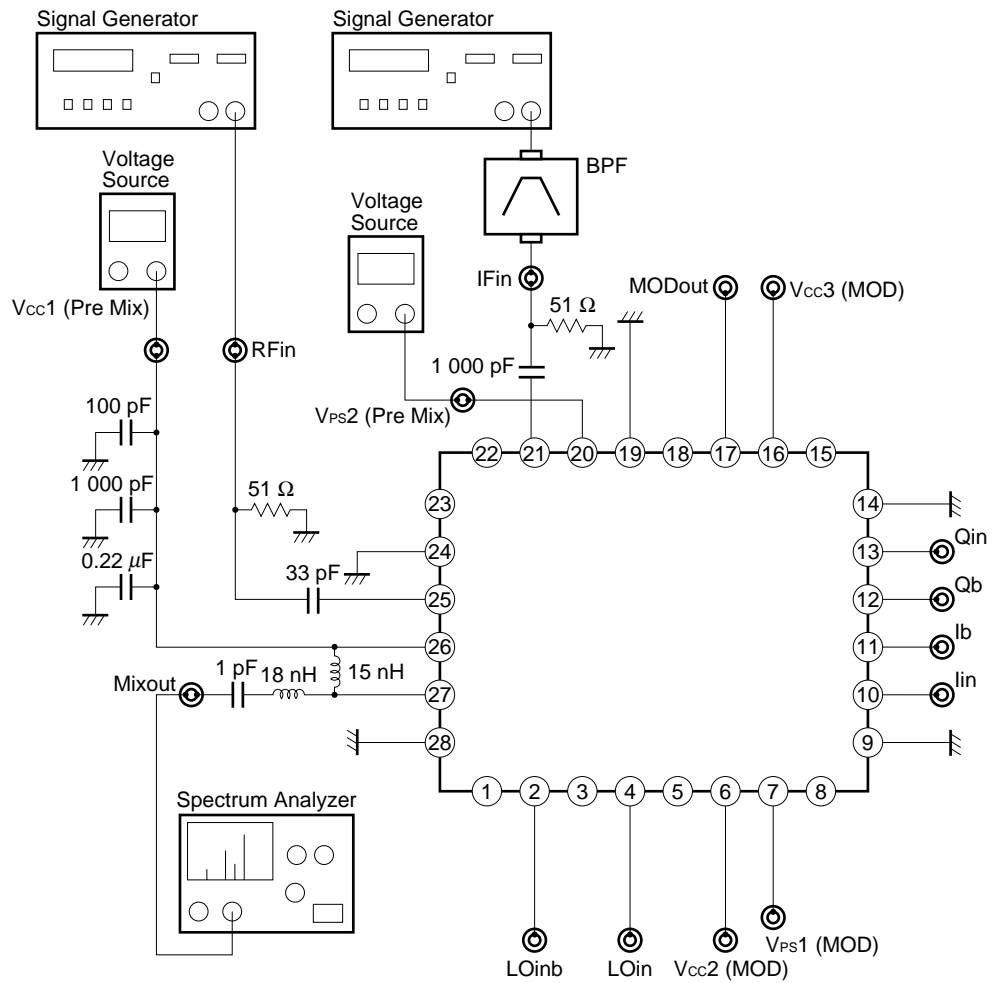


TEST CIRCUIT 3
Quadrature modulator block



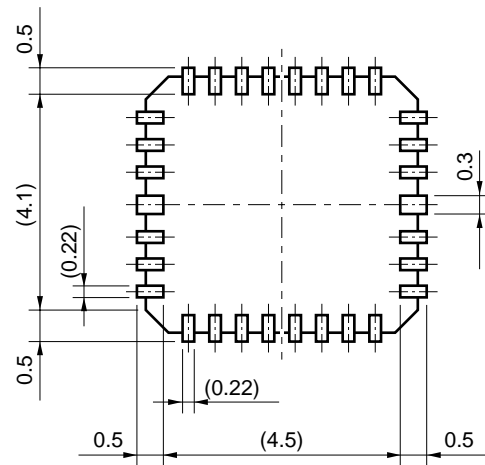
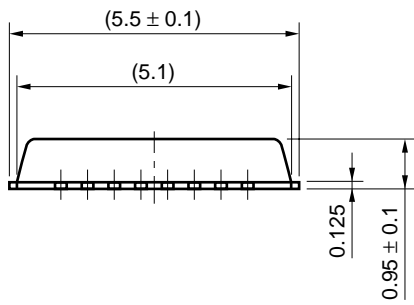
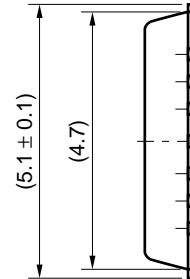
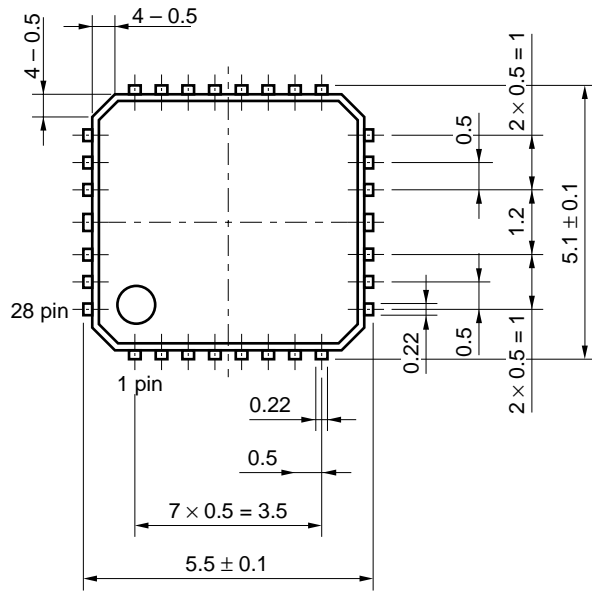
In this case, pin 20 to 27 should be opened or grounded.

TEST CIRCUIT 4
Pre-mixer block



PACKAGE DIMENSIONS

28 pin plastic QFN (UNIT: mm)



Bottom View

NOTE ON CORRECT USE

- (1) Observe precautions for handling because of electrostatic sensitive devices.
- (2) Form a ground pattern as widely as possible to minimize ground impedance (to prevent undesired operation).
- (3) Keep the track length between the ground pins as short as possible.
- (4) Connect a bypass capacitor (example 1 000 pF) to the Vcc pin.

RECOMMENDED SOLDERING CONDITIONS

This product should be soldered under the following recommended condition. For soldering methods and conditions other than those recommended below, contact your NEC sales representative.

Soldering Method	Soldering Conditions	Recommended Condition Symbol
Infrared Reflow	Package peak temperature: 235°C or below Time: 30 seconds or less (at 210°C) Count: 2, Exposure limit ^{Note} : None	IR35-00-2
Partial Heating	Pin temperature: 300°C Time: 3 seconds or less (per side of device) Exposure limit ^{Note} : None	—

Note After opening the dry pack, keep it in a place below 25°C and 65% RH for the allowable storage period.

Caution Do not use different soldering methods together (except for partial heating).

For details of recommended soldering conditions for surface mounting, refer to information document SEMICONDUCTOR DEVICE MOUNTING TECHNOLOGY MANUAL (C10535E).

[MEMO]

[MEMO]

The application circuits and their parameters are for reference only and are not intended for use in actual design-ins.

No part of this document may be copied or reproduced in any form or by any means without the prior written consent of NEC Corporation. NEC Corporation assumes no responsibility for any errors which may appear in this document.

NEC Corporation does not assume any liability for infringement of patents, copyrights or other intellectual property rights of third parties by or arising from use of a device described herein or any other liability arising from use of such device. No license, either express, implied or otherwise, is granted under any patents, copyrights or other intellectual property rights of NEC Corporation or others.

While NEC Corporation has been making continuous effort to enhance the reliability of its semiconductor devices, the possibility of defects cannot be eliminated entirely. To minimize risks of damage or injury to persons or property arising from a defect in an NEC semiconductor device, customers must incorporate sufficient safety measures in its design, such as redundancy, fire-containment, and anti-failure features.

NEC devices are classified into the following three quality grades:

"Standard", "Special", and "Specific". The Specific quality grade applies only to devices developed based on a customer designated "quality assurance program" for a specific application. The recommended applications of a device depend on its quality grade, as indicated below. Customers must check the quality grade of each device before using it in a particular application.

Standard: Computers, office equipment, communications equipment, test and measurement equipment, audio and visual equipment, home electronic appliances, machine tools, personal electronic equipment and industrial robots

Special: Transportation equipment (automobiles, trains, ships, etc.), traffic control systems, anti-disaster systems, anti-crime systems, safety equipment and medical equipment (not specifically designed for life support)

Specific: Aircrafts, aerospace equipment, submersible repeaters, nuclear reactor control systems, life support systems or medical equipment for life support, etc.

The quality grade of NEC devices is "Standard" unless otherwise specified in NEC's Data Sheets or Data Books. If customers intend to use NEC devices for applications other than those specified for Standard quality grade, they should contact an NEC sales representative in advance.

Anti-radioactive design is not implemented in this product.