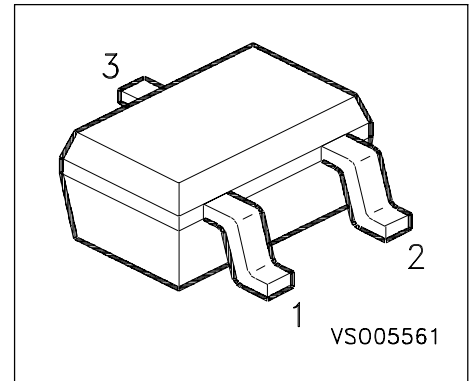


## NPN Silicon RF Transistor

- For low noise, high-gain broadband amplifiers at collector currents from 0.5 mA to 12mA
- $f_T = 8\text{GHz}$   
 $F = 1.45\text{dB}$  at 900MHz



**ESD: Electrostatic discharge sensitive device, observe handling precaution!**

Type	Marking	Ordering Code	Pin Configuration			Package
BFR 181W	RFs	Q62702-F1491	1 = B	2 = E	3 = C	SOT-323

### Maximum Ratings

Parameter	Symbol	Values	Unit
Collector-emitter voltage	$V_{CEO}$	12	V
Collector-emitter voltage	$V_{CES}$	20	
Collector-base voltage	$V_{CBO}$	20	
Emitter-base voltage	$V_{EBO}$	2	
Collector current	$I_C$	20	mA
Base current	$I_B$	2	
Total power dissipation $T_S \leq 90\text{ }^\circ\text{C}$	$P_{tot}$	175	mW
Junction temperature	$T_j$	150	
Ambient temperature	$T_A$	- 65 ... + 150	
Storage temperature	$T_{stg}$	- 65 ... + 150	

### Thermal Resistance

Junction - soldering point <sup>1)</sup>	$R_{thJS}$	$\leq 345$	K/W
--	------------	------------	-----

1)  $T_S$  is measured on the collector lead at the soldering point to the pcb.

**Electrical Characteristics** at  $T_A = 25^\circ\text{C}$ , unless otherwise specified.

Parameter	Symbol	Values			Unit
		min.	typ.	max.	
<b>DC Characteristics</b>					
Collector-emitter breakdown voltage $I_C = 1 \text{ mA}, I_B = 0$	$V_{(BR)CEO}$	12	-	-	V
Collector-emitter cutoff current $V_{CE} = 20 \text{ V}, V_{BE} = 0$	$I_{CES}$	-	-	100	$\mu\text{A}$
Collector-base cutoff current $V_{CB} = 10 \text{ V}, I_E = 0$	$I_{CBO}$	-	-	100	nA
Emitter-base cutoff current $V_{EB} = 1 \text{ V}, I_C = 0$	$I_{EBO}$	-	-	1	$\mu\text{A}$
DC current gain $I_C = 5 \text{ mA}, V_{CE} = 8 \text{ V}$	$h_{FE}$	50	100	200	-

**Electrical Characteristics** at  $T_A = 25^\circ\text{C}$ , unless otherwise specified.

Parameter	Symbol	Values			Unit
		min.	typ.	max.	
<b>AC Characteristics</b>					
Transition frequency $I_C = 10 \text{ mA}, V_{CE} = 8 \text{ V}, f = 500 \text{ MHz}$	$f_T$	6	8	-	GHz
Collector-base capacitance $V_{CB} = 10 \text{ V}, f = 1 \text{ MHz}$	$C_{cb}$	-	0.32	0.5	pF
Collector-emitter capacitance $V_{CE} = 10 \text{ V}, f = 1 \text{ MHz}$	$C_{ce}$	-	0.22	-	
Emitter-base capacitance $V_{EB} = 0.5 \text{ V}, f = 1 \text{ MHz}$	$C_{eb}$	-	0.3	-	
Noise figure $I_C = 2 \text{ mA}, V_{CE} = 8 \text{ V}, Z_S = Z_{Sopt}$ $f = 900 \text{ MHz}$ $f = 1.8 \text{ GHz}$	$F$	-	1.45 1.8	-	dB
Power gain <sup>1)</sup> $I_C = 5 \text{ mA}, V_{CE} = 8 \text{ V}, f = 900 \text{ MHz}$ $Z_S = Z_{Sopt}, Z_L = Z_{Lopt}$	$G_{ms}$	-	18.5	-	
Power gain <sup>2)</sup> $I_C = 5 \text{ mA}, V_{CE} = 8 \text{ V}, f = 1.8 \text{ GHz}$ $Z_S = Z_{Sopt}, Z_L = Z_{Lopt}$	$G_{ma}$	-	13	-	
Transducer gain $I_C = 5 \text{ mA}, V_{CE} = 8 \text{ V}, Z_S = Z_L = 50 \Omega$ $f = 900 \text{ MHz}$ $f = 1.8 \text{ GHz}$	$ S_{21e} ^2$	-	15 9.5	-	

1)  $G_{ms} = |S_{21}/S_{12}|$

2)  $G_{ma} = |S_{21}/S_{12}| (k - (k^2 - 1)^{1/2})$

### SPICE Parameters (Gummel-Poon Model, Berkeley-SPICE 2G.6 Syntax) :

#### Transistor Chip Data

IS =	0.0010519 fA	BF =	96.461	-	NF =	0.90617	-	
VAF =	22.403 V	IKF =	0.12146 A		ISE =	12.603 fA		
NE =	1.7631	-	BR =	16.504	-	NR =	0.87757	-
VAR =	5.1127 V		IKR =	0.24951 A		ISC =	0.01195 fA	
NC =	1.6528	-	RB =	9.9037 $\Omega$		IRB =	0.69278 mA	
RBM =	6.6315 $\Omega$		RE =	2.1372 $\Omega$		RC =	2.2171 $\Omega$	
CJE =	1.8168 fF		VJE =	0.73155 V		MJE =	0.43619	-
TF =	17.028 ps		XTF =	0.33814	-	VTF =	0.12571 V	
ITF =	1.0549 mA		PTF =	0	deg	CJC =	319.69 fF	
VJC =	1.1633 V		MJC =	0.30013	-	XCJC =	0.082903	-
TR =	2.7449 ns		CJS =	0	fF	VJS =	0.75 V	
MJS =	0	-	XTB =	0	-	EG =	1.11 eV	
XTI =	3	-	FC =	0.99768	-	TNOM	300 K	

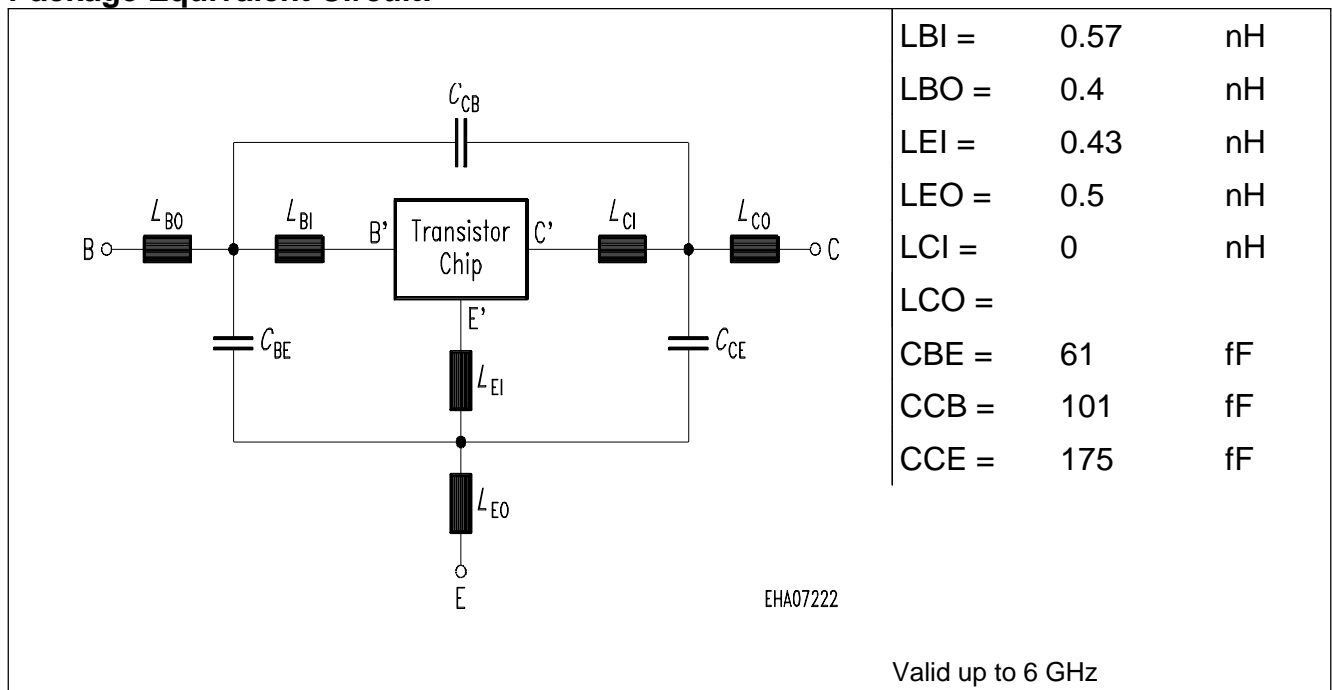
All parameters are ready to use, no scaling is necessary.

Extracted on behalf of SIEMENS Small Signal Semiconductors by:

Institut für Mobil-und Satellitenfunktechnik (IMST)

© 1996 SIEMENS AG

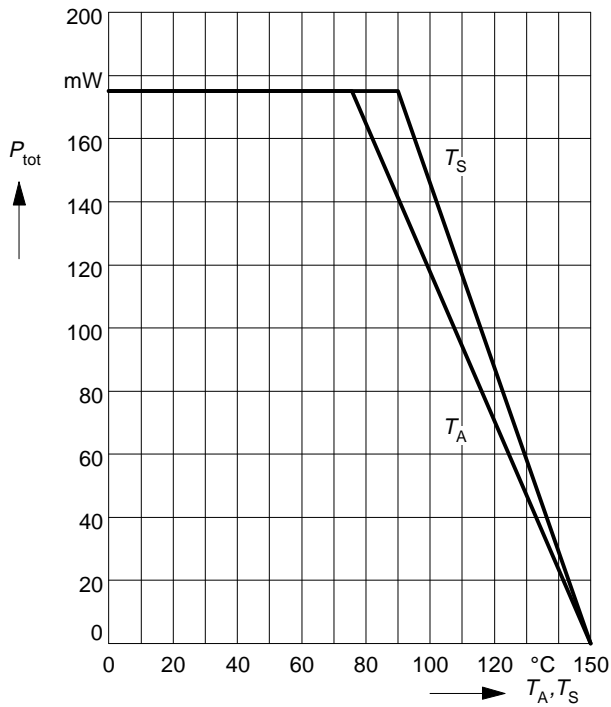
#### Package Equivalent Circuit:



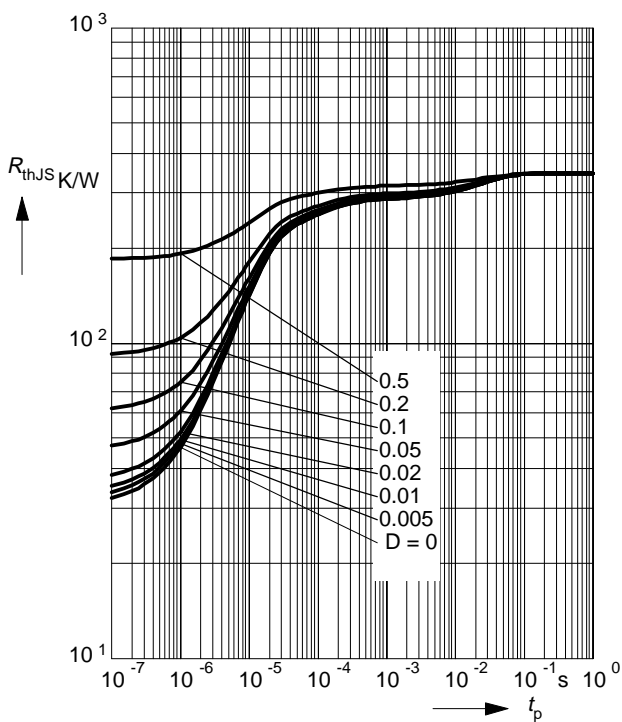
For examples and ready to use parameters please contact your local Siemens distributor or sales office to obtain a Siemens CD-ROM or see Internet: <http://www.siemens.de/Semiconductor/products/35/35.htm>

## Total power dissipation $P_{tot} = f(T_A^*, T_S)$

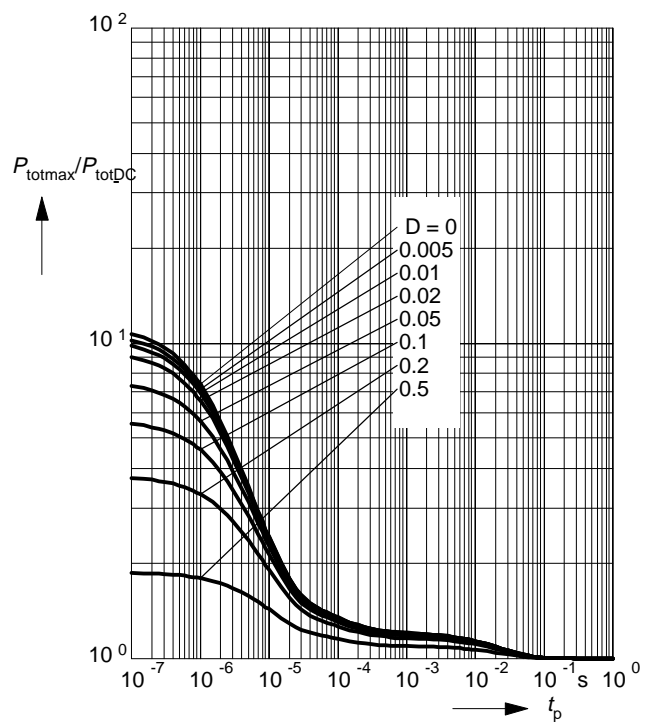
\* Package mounted on epoxy



## Permissible Pulse Load $R_{thJS} = f(t_p)$

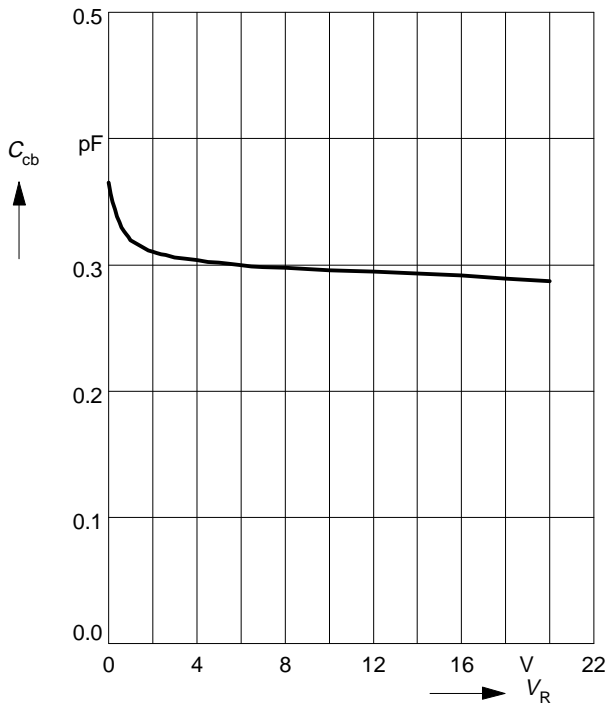


## Permissible Pulse Load $P_{totmax}/P_{totDC} = f(t_p)$



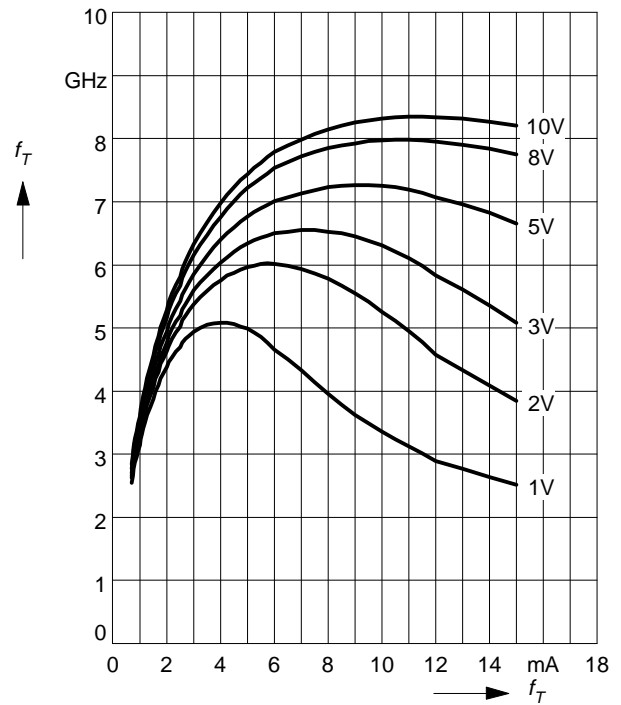
### Collector-base capacitance $C_{cb} = f(V_{CB})$

$V_{BE} = v_{be} = 0, f = 1\text{MHz}$



### Transition frequency $f_T = f(I_C)$

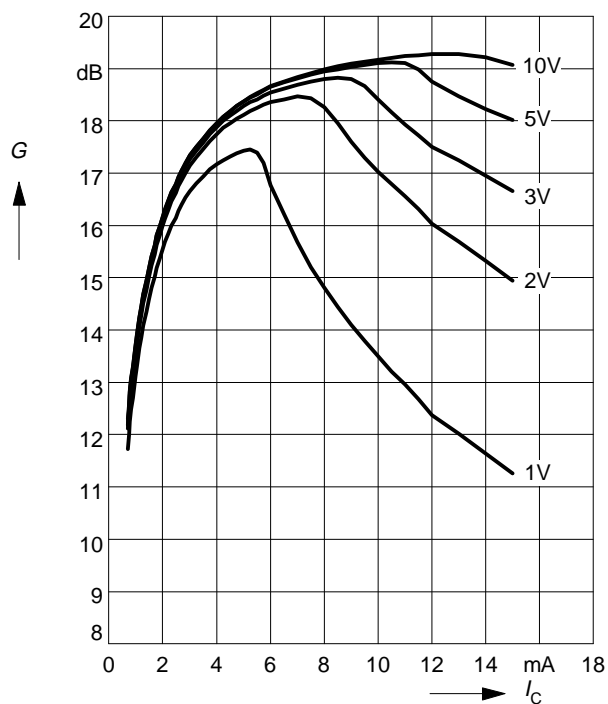
$V_{CE} = \text{Parameter}$



### Power Gain $G_{ma}, G_{ms} = f(I_C)$

$f = 0.9\text{GHz}$

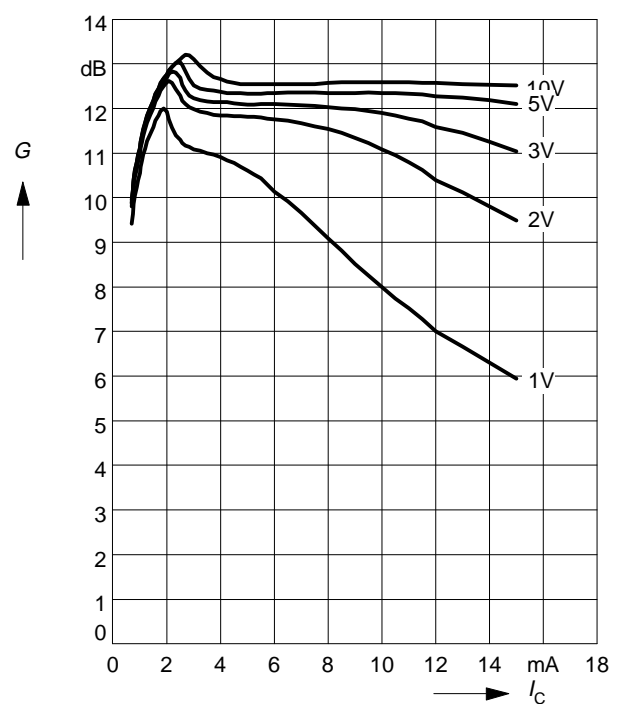
$V_{CE} = \text{Parameter}$



### Power Gain $G_{ma}, G_{ms} = f(I_C)$

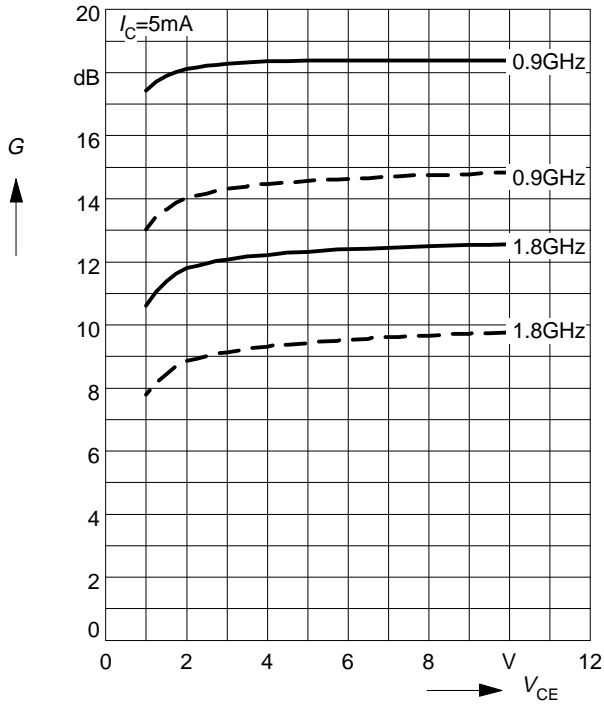
$f = 1.8\text{GHz}$

$V_{CE} = \text{Parameter}$



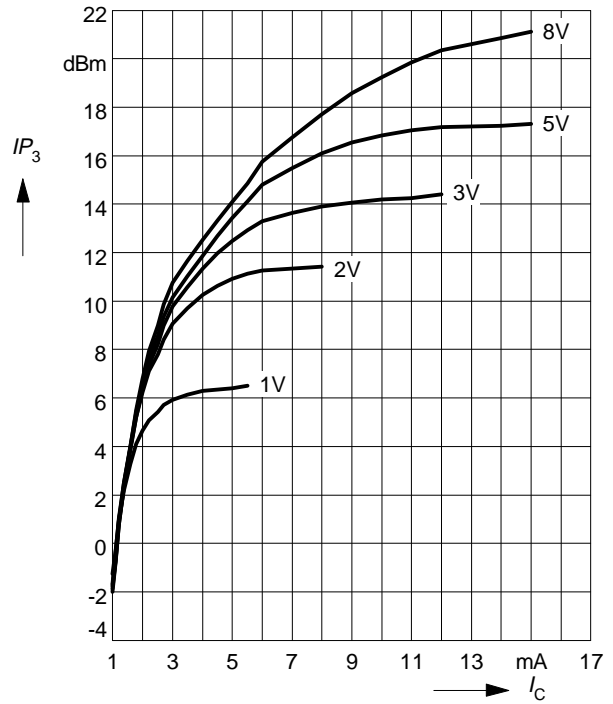
**Power Gain**  $G_{ma}, G_{ms} = f(V_{CE})$ : \_\_\_\_\_  
 $|S_{21}|^2 = f(V_{CE})$ : - - - - -

$f =$  Parameter



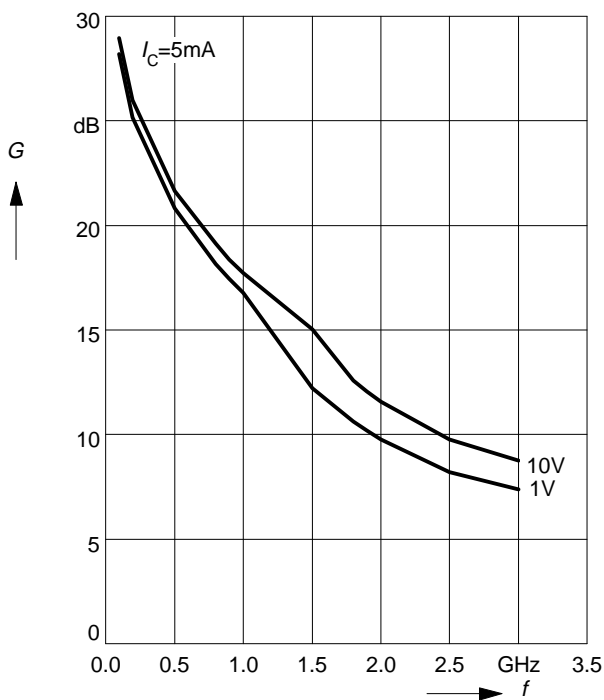
**Intermodulation Intercept Point**  $IP_3 = f(I_C)$   
 (3rd order, Output,  $Z_S = Z_L = 50\Omega$ )

$V_{CE} =$  Parameter,  $f = 900\text{MHz}$



**Power Gain**  $G_{ma}, G_{ms} = f(f)$

$V_{CE} =$  Parameter



**Power Gain**  $|S_{21}|^2 = f(f)$

$V_{CE} =$  Parameter

