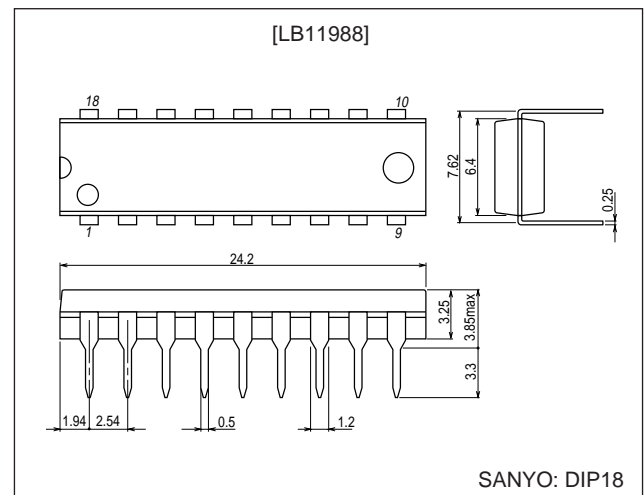


**LB11988****Refrigerator Fan Motor Driver****Functions**

- Three-phase full-wave current linear drive
- Built-in current limiter circuit
- Built-in saturation prevention circuits in both the upper and lower sides of the output stage.
- FG amplifier
- Thermal shutdown circuit

Package Dimensions

unit: mm

3007A-DIP18**Specifications****Absolute Maximum Ratings at Ta = 25°C**

Parameter	Symbol	Conditions	Ratings	Unit
Maximum supply voltage	V _{CCmax}		24	V
	V _{Smax}		24	V
Maximum output current	I _{Omax}		1.3	A
Allowable power dissipation	P _{dmax}	Independent IC	1.13	W
Operating temperature	T _{opr}		-30 to +75	°C
Storage temperature	T _{stg}		-55 to +150	°C

Allowable Operating Ranges at Ta = 25°C

Parameter	Symbol	Conditions	Ratings	Unit
Supply voltage	V _S		5 to 22	V
	V _{CC}		7 to 22	
Hall input amplitude	V _{HALL}	Between Hall inputs	±30 to ±80	mV 0-P

■ Any and all SANYO products described or contained herein do not have specifications that can handle applications that require extremely high levels of reliability, such as life-support systems, aircraft's control systems, or other applications whose failure can be reasonably expected to result in serious physical and/or material damage. Consult with your SANYO representative nearest you before using any SANYO products described or contained herein in such applications.

■ SANYO assumes no responsibility for equipment failures that result from using products at values that exceed, even momentarily, rated values (such as maximum ratings, operating condition ranges, or other parameters) listed in products specifications of any and all SANYO products described or contained herein.

SANYO Electric Co.,Ltd. Semiconductor Company

TOKYO OFFICE Tokyo Bldg., 1-10, 1 Chome, Ueno, Taito-ku, TOKYO, 110-8534 JAPAN

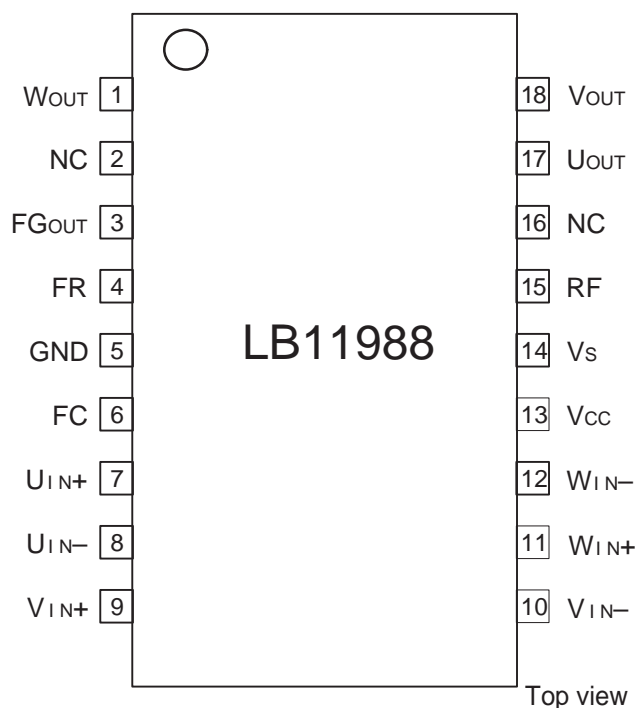
LB11988

Electrical Characteristics at $T_a = 25^\circ\text{C}$, $V_{CC} = 12\text{ V}$, $V_S = 12\text{ V}$

Parameter	Symbol	Conditions	Ratings			Unit
			min	typ	max	
V_{CC} current drain	I_{CC}	$R_L = 560\ \Omega$ (Y)		15	24	mA
[Output]						
Output saturation voltage	V_{Osat1}	$I_O = 500\text{ mA}$, $R_f = 0.5\ \Omega$, Sink + Source (Saturation prevention function included)		2.1	2.6	V
	V_{Osat2}	$I_O = 1.0\text{ A}$, $R_f = 0\ \Omega$, Sink + Source (Saturation prevention function included)		2.6	3.5	V
Output leakage current	I_{oleak}				1.0	mA
[Hall Amplifier]						
Input offset voltage	V_{off} (HALL)		-6		+6	mV
Input bias current	I_b (HALL)	V_{IN} , W_{IN}		1	3	μA
Common-mode input voltage	V_{cm} (HALL)		3		$V_{CC} - 3$	V
[FR]						
Threshold voltage	V_{FRTH}		4		8	V
Input bias current	I_b (FR)		-5			μA
[Current Limiter]						
LIM pin current limit level	I_{LIM}	$R_f = 0.5\ \Omega$, With the Hall input logic states fixed (U, V, W = high, high, low)		1		A
[Saturation]						
Saturation prevention circuit lower side voltage setting	V_{Osat} (DET)	$R_L = 560\ \Omega$ (Y), $R_f = 0.5\ \Omega$, The voltage between each lower output and the corresponding R_f .		0.28		V
[FG Amplifier]						
Upper side output saturation voltage	V_{satu} (SH)		11.8			V
Lower side output saturation voltage	V_{satd} (SH)				0.3	V
Hysteresis	V_{hys}			23		mV
TSD operating temperature	T-TSD	Design target value*		170		$^\circ\text{C}$

Note *: Items shown to be design target values in the conditions column are not measured.

Pin Assignment



Truth Table and Control Functions

	Source → sink	Hall input			FR
		U	V	W	
1	V → W	H	H	L	H
	W → V				L
2	U → W	H	L	L	H
	W → U				L
3	U → V	H	L	H	H
	V → U				L
4	W → V	L	L	H	H
	V → W				L
5	W → U	L	H	H	H
	U → W				L
6	V → U	L	H	L	H
	U → V				L

Note: The "H" state for FR is defined as a voltage of 8 V or higher, and the "L" state for FR is defined as a voltage of 4 V or lower. (When $V_{CC} = 12\text{ V}$.)

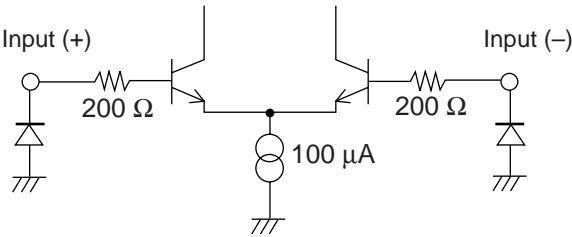
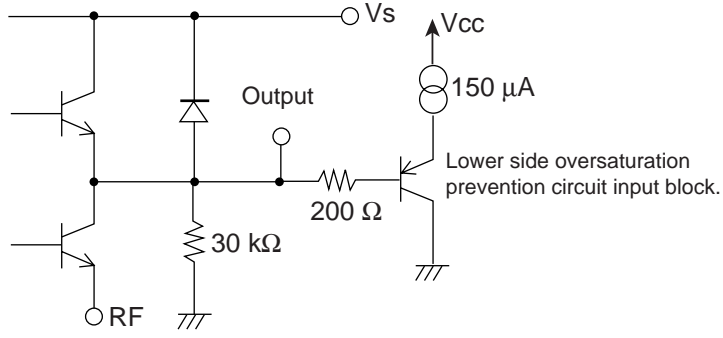
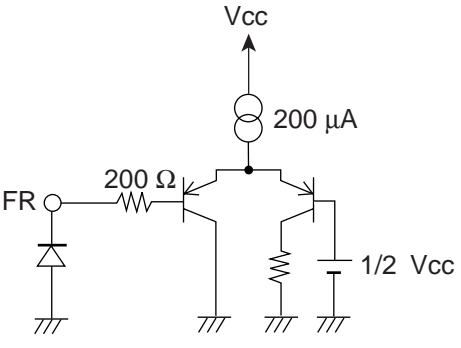
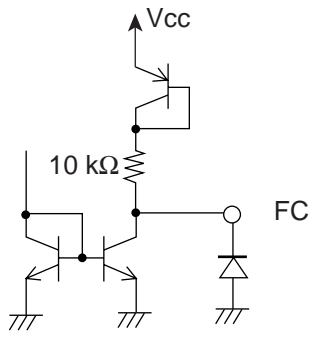
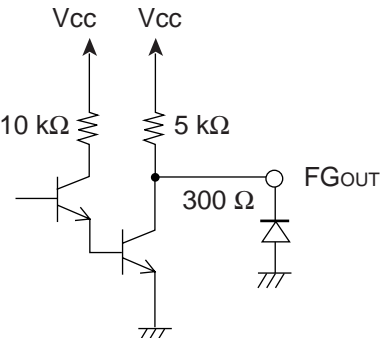
Note: For the Hall inputs, the input high state is defined to be the state where the (+) input is higher than the corresponding (-) input by 0.01 V or higher, and the input low state is defined to be the state where the (+) input is lower than the corresponding (-) input by 0.01 V or higher.

Note: Since this drive technique is a 180° current application scheme, the phases other than the sink and the source phases will not turn off.

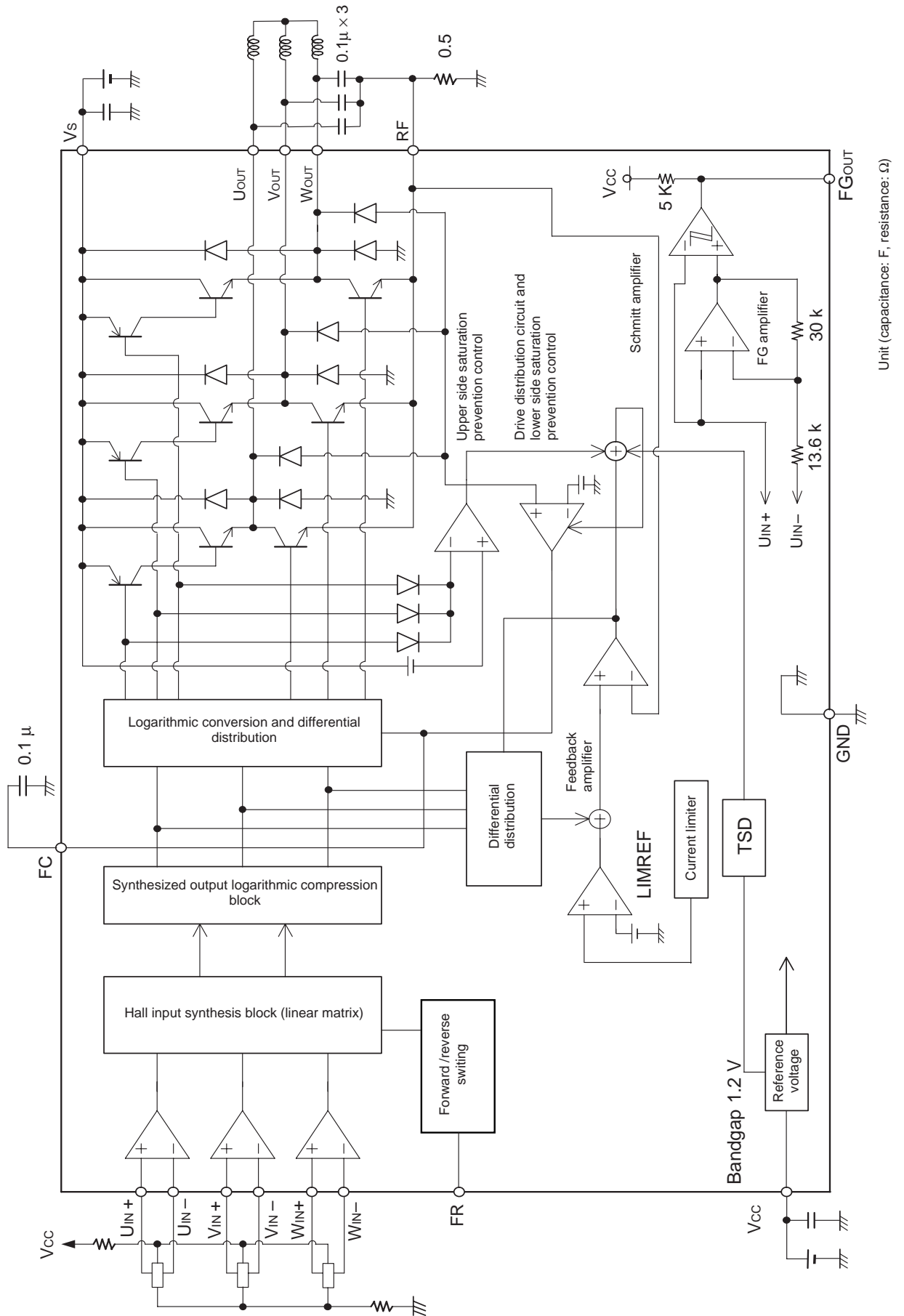
Pin Functions

Pin No.	Pin	Function
5	GND	Ground for circuits other than the output transistors. Note that the Rf pin will be at the lowest potential of the output transistors.
3	FG-OUT	This is the FG amplifier output pin. Internally, it is a resistive load.
4	FR	Forward/reverse switching pin
6	FC	Corrects the frequency characteristics of the saturation prevention circuit loop and current limiter circuit.
7, 8	U_{IN+}, U_{IN-}	U-phase Hall input. Logic high refers to the state where $IN+ > IN-$. V-phase Hall input. Logic high refers to the state where $IN+ > IN-$. W-phase Hall input. Logic high refers to the state where $IN+ > IN-$.
9, 10	V_{IN+}, V_{IN-}	
11, 12	W_{IN+}, W_{IN-}	
13	V_{CC}	Power supply provided to all IC internal circuits other than the output block. This voltage must be stabilized so that ripple and noise do not enter the IC.
14	V_S	Output block power supply
15	Rf	Used for output current detection. The current limiter circuit operates using the resistor (Rf) connected between this pin and ground. Note that the lower side saturation prevention circuit operates according to the voltage that appears on this pin. Since the over-saturation level is set by this voltage, the response of the lower side saturation prevention circuit may be degraded in the large current region if the value of Rf is made extremely small.
17	U_{OUT}	U-phase Hall output V-phase Hall output W-phase Hall output (These pins include internal spark killer diodes.)
18	V_{OUT}	
1	W_{OUT}	

Equivalent Circuit Diagrams

Pin	Equivalent circuit diagrams
<p>U_{IN} (+) U_{IN} (-) V_{IN} (+) V_{IN} (-) W_{IN} (+) W_{IN} (-)</p>	
<p>U_{OUT} V_{OUT} W_{OUT} RF Vs</p>	 <p>Lower side oversaturation prevention circuit input block.</p>
<p>FR</p>	
<p>FC</p>	
<p>FG_{OUT}</p>	

Block Diagram



- Specifications of any and all SANYO products described or contained herein stipulate the performance, characteristics, and functions of the described products in the independent state, and are not guarantees of the performance, characteristics, and functions of the described products as mounted in the customer's products or equipment. To verify symptoms and states that cannot be evaluated in an independent device, the customer should always evaluate and test devices mounted in the customer's products or equipment.
- SANYO Electric Co., Ltd. strives to supply high-quality high-reliability products. However, any and all semiconductor products fail with some probability. It is possible that these probabilistic failures could give rise to accidents or events that could endanger human lives, that could give rise to smoke or fire, or that could cause damage to other property. When designing equipment, adopt safety measures so that these kinds of accidents or events cannot occur. Such measures include but are not limited to protective circuits and error prevention circuits for safe design, redundant design, and structural design.
- In the event that any or all SANYO products (including technical data, services) described or contained herein are controlled under any of applicable local export control laws and regulations, such products must not be exported without obtaining the export license from the authorities concerned in accordance with the above law.
- No part of this publication may be reproduced or transmitted in any form or by any means, electronic or mechanical, including photocopying and recording, or any information storage or retrieval system, or otherwise, without the prior written permission of SANYO Electric Co., Ltd.
- Any and all information described or contained herein are subject to change without notice due to product/technology improvement, etc. When designing equipment, refer to the "Delivery Specification" for the SANYO product that you intend to use.
- Information (including circuit diagrams and circuit parameters) herein is for example only; it is not guaranteed for volume production. SANYO believes information herein is accurate and reliable, but no guarantees are made or implied regarding its use or any infringements of intellectual property rights or other rights of third parties.

This catalog provides information as of November, 1999. Specifications and information herein are subject to change without notice.