

# SEMI CUSTOM IF Band PLL Frequency Synthesizer

## MB15C100 Series

### ■ DESCRIPTION

The Fujitsu MB15C100 series is an exclusive Intermediate Frequency (IF) band Phase Locked Loop (PLL) frequency synthesizer with pulse swallow operation. It can operate maximum at 500 MHz.

The reference divider and comparison divider have fixed divide ratios, so that it is not required to set the divide ratios by a  $\mu$ controller externally. Because the dividers are designed by means of **MASK ROM** method, a customer can chose them optionally. SSOP-8 and BCC-16 plastic packages are available.

All of the above features help a system designer for **easier** as well as **compact** layout work.

It operates with a supply voltage of 3.0 V typ. and dissipates 1.2 mA typ. (@ 300 MHz) of current realized through the use of CMOS technology.

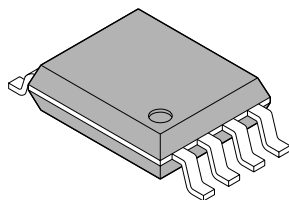
### ■ FEATURES

- Operating frequency : 500 MHz max.
- Low power supply current:  $I_{cc}$  (total) = 1.2 mA typ. ( $V_{cc}$  = 3V, 300 MHz)
- Pulse swallow function;  
500 MHz Prescaler: 8/9, 16/17, 32/33
- MASK ROM optional the comparison and reference dividers:
  - Main counter ; 5 to 4,095
  - Swallow counter ; 0 to 31
  - Reference counter ; 5 to 4,095

(Continued)

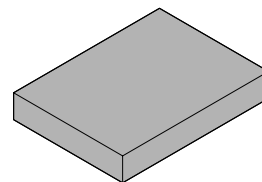
### ■ PACKAGES

8-pin plastic SSOP



(FPT-8P-M03)

16-pad plastic BCC



(LCC-16P-M06)

# MB15C100 Series

(Continued)

- Charge pump options:
  - L type ; Low sensitivity charge pump for direct modulation. (IOH/IOL = 1.5 mA @ V<sub>CC</sub> = 3.0 V)
  - H type ; Super charger circuit for High speed tuning. (IOH/IOL = 6.0 mA @ V<sub>CC</sub> = 3.0 V)
- Low power supply voltage: V<sub>CC</sub> = 2.4 V min.
- Wide operating temperature: Ta = -40 to +85°C
- Selectable A or B type

A: Div type

Two different frequencies can be selected by Div input "H" or "L".

B: PS type

Power saving control

PS	OSC	R	N. A. P
H	Active	Active	Active
L	Stop	Stop	Stop

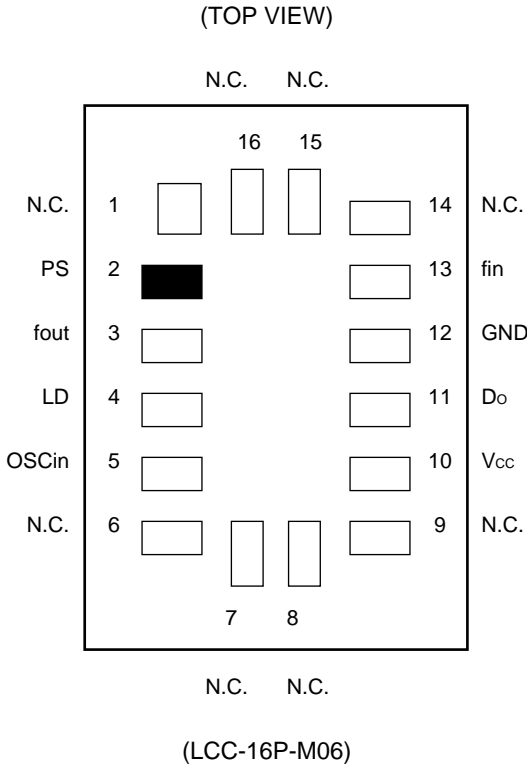
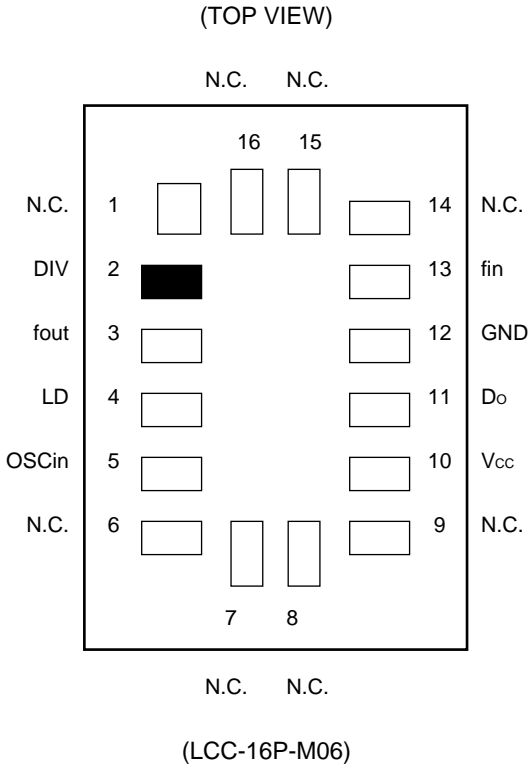
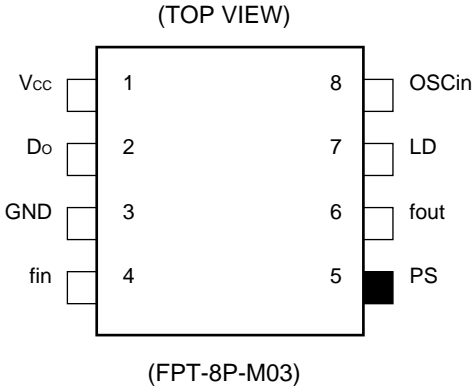
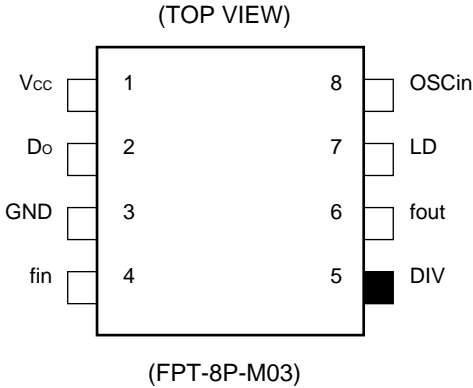
PS = "L" → Do = "Z", LD = "H"

- Plastic BCC-16 and 8-pin SSOP packages

## ■ PIN ASSIGNMENT

<A type>  
Divide ratio switching type (DIV)

<B type>  
Power saving function type (PS)



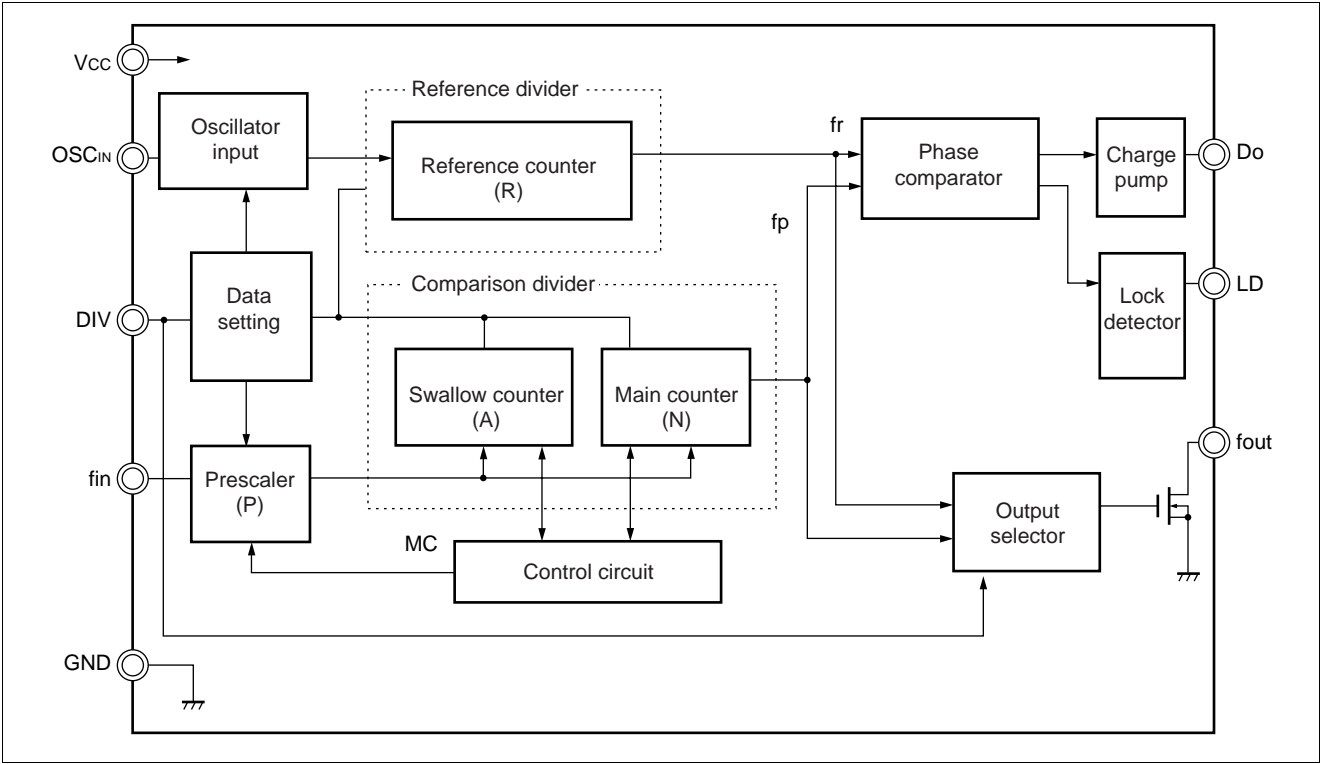
# MB15C100 Series

## ■ PIN DESCRIPTIONS

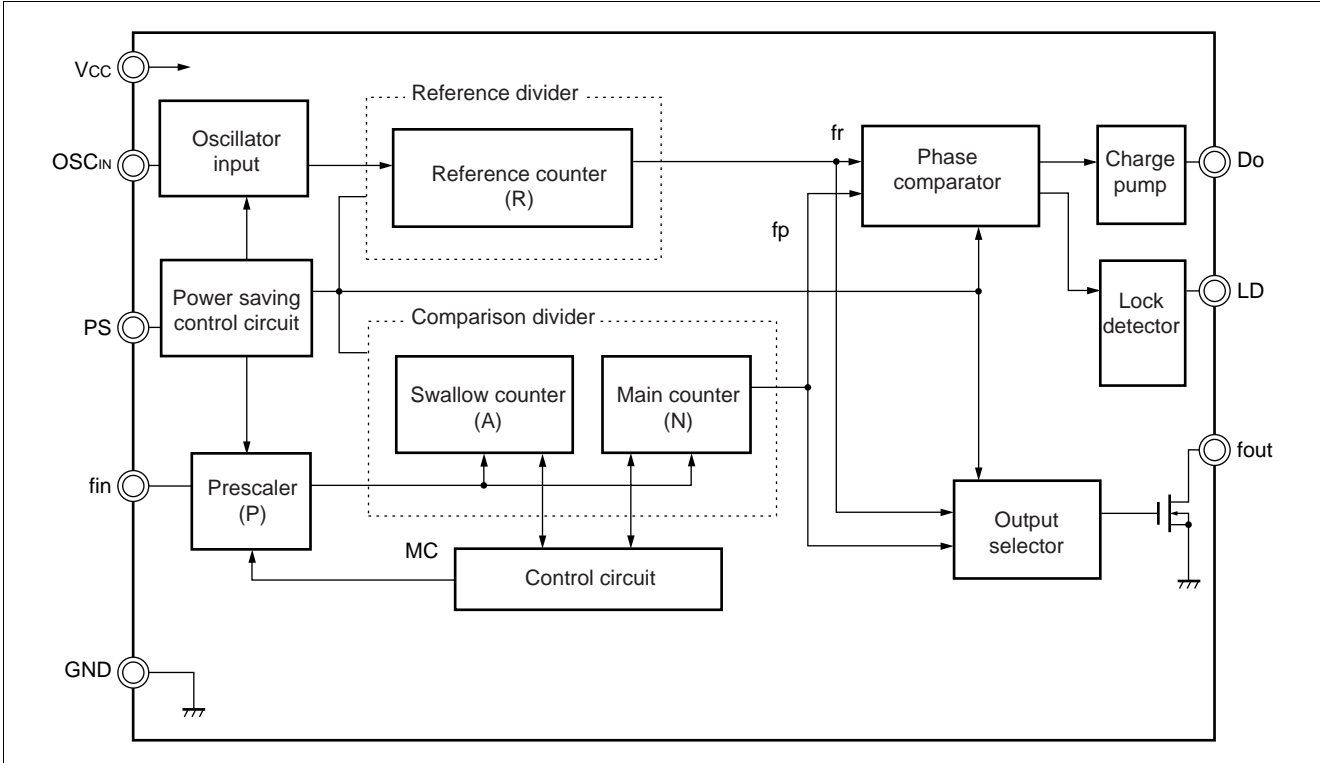
Pin No.		Pin name	Description										
SSOP	BCC												
1	10	V <sub>CC</sub>	Power supply voltage input.										
2	11	Do	Charge pump output.										
3	12	GND	Ground.										
4	13	fin	Prescaler input. Connection should be with AC coupling.										
5	2	Div (A type)	Divide ratio switching input. Two kinds of divide ratios are selectable by Div input "H" or "L".										
		PS (B type)	Power saving mode control <table border="1" style="margin-left: 20px;"> <thead> <tr> <th>PS</th> <th>OSC</th> <th>R</th> <th>N. A. P</th> </tr> </thead> <tbody> <tr> <td>H</td> <td>Active</td> <td>Active</td> <td>Active</td> </tr> <tr> <td>L</td> <td>Stop</td> <td>Stop</td> <td>Stop</td> </tr> </tbody> </table> PS = "L" → Do = "Z", LD = "H"	PS	OSC	R	N. A. P	H	Active	Active	Active	L	Stop
PS	OSC	R	N. A. P										
H	Active	Active	Active										
L	Stop	Stop	Stop										
6	3	fout	Test purpose output. This pin is an open drain output so that should be left open usually.										
7	4	LD	Lock detector output. LD = H: Locking state, Power saving state, LD = L: Unlocking state.										
8	5	OSCin	Reference counter input. Connection should be with AC coupling.										
–	1,6,7, 8,9,14, 15,16	N.C.	No connection										

■ BLOCK DIAGRAM

<A type>



<B type>



# MB15C100 Series

## ■ ABSOLUTE MAXIMUM RATINGS

Parameter	Symbol	Rating		Unit
		Min.	Max.	
Power supply voltage	$V_{CC}$	-0.5	+ 4.0	V
Input voltage	$V_I$	-0.5	$V_{CC} + 0.5$	V
Output voltage	$V_O$	-0.5	$V_{CC} + 0.5$	V
Output current	$I_{OUT}$	0	5	mA
Storage temperature	$T_{STG}$	-55	+125	°C

WARNING: Semiconductor devices can be permanently damaged by application of stress (voltage, current, temperature, etc.) in excess of absolute maximum ratings. Do not exceed these ratings.

## ■ RECOMMENDED OPERATING CONDITIONS

Parameter	Symbol	Value			Unit	Note
		Min.	Typ.	Max.		
Power supply voltage	$V_{CC}$	2.4	3.0	3.6	V	
Input voltage	$V_{IN}$	GND	—	$V_{CC}$	V	
Operating temperature	$T_a$	-40	—	+85	°C	

WARNING: The recommended operating conditions are required in order to ensure the normal operation of the semiconductor device. All of the device's electrical characteristics are warranted when the device is operated within these ranges.

Always use semiconductor devices within their recommended operating condition ranges. Operation outside these ranges may adversely affect reliability and could result in device failure.

No warranty is made with respect to uses, operating conditions, or combinations not represented on the data sheet. Users considering application outside the listed conditions are advised to contact their FUJITSU representatives beforehand.

## ■ ELECTRICAL CHARACTERISTICS

(Recommended operating conditions unless otherwise noted.)

Parameter (Symbol)	Condition	Condition 1: fin ≤ 300 MHz			Condition 2: fin ≤ 380 MHz			Condition 3: fin ≤ 500 MHz			Unit
		Min.	Typ.	Max.	Min.	Typ.	Max.	Min.	Typ.	Max.	
Operating frequency (fin)	AC coupling by 1000 pF capacitor	50	—	300	30	—	380	30	—	500	MHz
Power supply voltage (Vcc)	—	2.4	3.0	3.6	2.4	2.7	3.0	2.4	3.0	3.6	V
Input sensitivity (Pfin)	AC coupling by 1000 pF capacitor	-10	—	+2	-10	—	+2	-5	—	+2	dBm
Power supply current (Icc)	PLL is locked at fin max.	0.1	1.2*1	2.4	0.1	1.4*2	1.7	0.1	1.2*3	2.4	mA

\*1: Vcc = 3.0 V, Ta = +25°C, fin = 300 MHz, Vin = -10 dBm, OSCin = 19.2 MHz, Vosc = -2 dBm

\*2: Vcc = 3.0 V, Ta = +25°C, fin = 380 MHz, Vin = -10 dBm, OSCin = 19.2 MHz, Vosc = -2 dBm

\*3: Vcc = 3.0 V, Ta = +25°C, fin = 500 MHz, Vin = -5 dBm, OSCin = 19.2 MHz, Vosc = -2 dBm

(Recommended operating conditions unless otherwise noted.)

Parameter	Symbol	Condition	Value			Unit
			Min.	Typ.*	Max.	
Power saving current (B type)	Ips	Ps = "L"	—	—	+10	μA
Oscillator input frequency	fosc	AC coupling by 1000pF capacitor	3	12	23	MHz
Oscillator input sensitivity	Vosc	AC coupling by 1000pF capacitor	0.5	—	—	Vpp
Input voltage (Div)	Vih	—	Vcc × 0.7	—	—	V
	Vil	—	—	—	Vcc × 0.3	V
Input current (Div)	Iih	—	—	—	1.0	μA
	Iil	—	-1.0	—	—	μA
Input current (OSCin)	Iosc	—	-100	—	100	μA
Output voltage (LD)	VoH	Ioh = -1.0 mA	Vcc - 0.8	—	—	V
	VoL	Iol = 1.0 mA	—	—	0.4	V
Output voltage (Do) Charge pump type: H Charge pump type: L	VoH	Vcc = 3.0 V, Ioh = -0.3 mA	2.6	—	—	V
	VoL	Vcc = 3.0 V, Iol = 0.3 mA	—	—	0.4	V

(Continued)

# MB15C100 Series

(Continued)

Parameter	Symbol	Condition	Value			Unit
			Min.	Typ.*	Max.	
Output current (Do) (Charge pump type: H)	I <sub>OH</sub>	V <sub>CC</sub> = 3 V, V <sub>OH</sub> = 2 V, Ta = +25°C	—	-6.0	—	mA
	I <sub>OL</sub>	V <sub>CC</sub> = 3 V, V <sub>OL</sub> = 1 V, Ta = +25°C	—	6.0	—	
Output current (Do) (Charge pump type: L)	I <sub>OH</sub>	V <sub>CC</sub> = 3 V, V <sub>OH</sub> = 2 V, Ta = +25°C	—	-1.5	—	mA
	I <sub>OL</sub>	V <sub>CC</sub> = 3 V, V <sub>OL</sub> = 1 V, Ta = +25°C	—	1.5	—	
High impedance cut off current (Do)	I <sub>OFF</sub>	0V ≤ V <sub>DO</sub> ≤ V <sub>CC</sub>	—	—	3	nA

\* : V<sub>CC</sub> = 3.0, Ta = +25°C

## ■ FUNCTIONAL DESCRIPTIONS

<A type>

Divide ratios of the internal counters can be set optionally according to customer requirements. Two different frequencies can be selected by Div input "H" or "L".

The divide ratio can be calculated using the following equation:

$$f_{VCO} = \{(P \times N) + A\} \times f_{OSC} \div R \quad (A < N)$$

f<sub>VCO</sub>: Output frequency of external voltage controlled oscillator (VCO: up to 500 MHz)

P: Preset divide ratio of dual modulus prescaler (8/9, 16/17, 32/33)

N: Divide ratio of the main counter (5 to 4,095)

A: Divide ratio of the swallow counter (0 to 31)

f<sub>OSC</sub>: Reference oscillation frequency ( up to 26 MHz)

R: Divide ratio of the reference counter (5 to 4,095)

<B type>

Power saving control (PS)

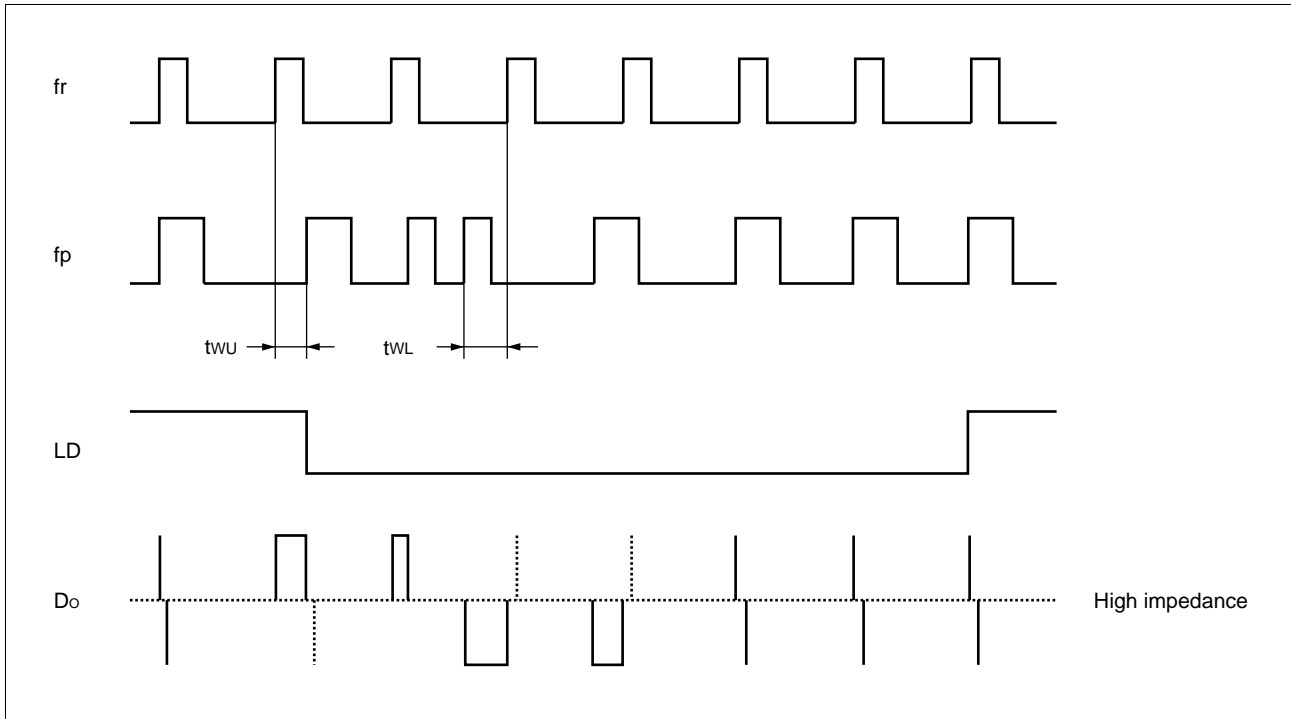
PS	OSC	R	N.A.P
H	Active	Active	Active
L	Stop	Stop	Stop

\* : Power saving current : ~ 10 μA

\* : PS = "L" → Do = "Z"  
LD = "H"



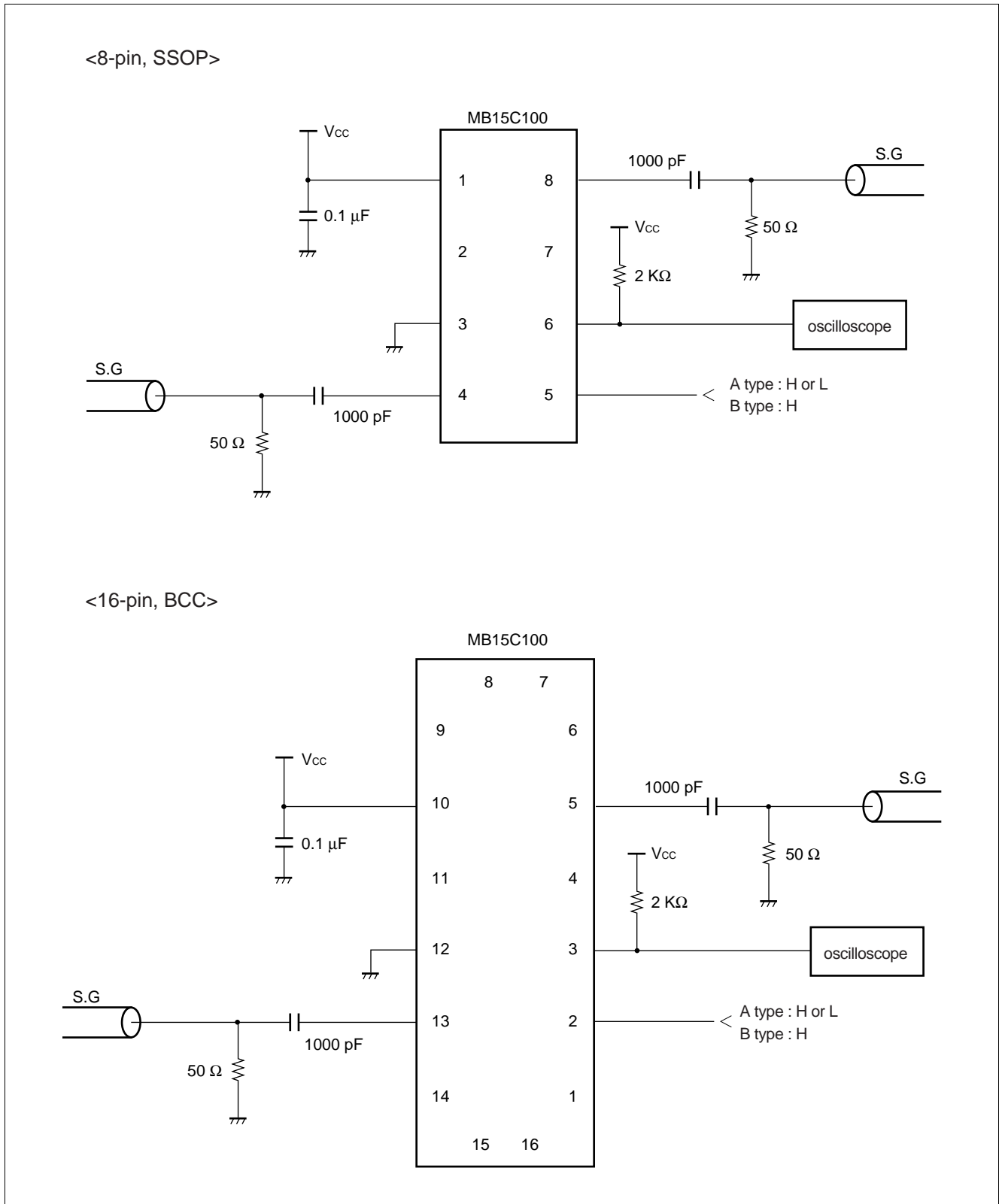
## ■ PHASE DETECTOR TIME CHART



- Note:
- Phase difference detection range =  $-2\pi$  to  $+2\pi$
  - Spikes on Do pulse during locking state are output to prevent dead zone.
  - LD output becomes low when phase difference is  $t_{wU}$  or more.
  - LD output becomes high when phase difference is  $t_{wL}$  or less and continues to be so for three cycles or more.
  - $t_{wU}$  and  $t_{wL}$  depend on OSCin input frequency
    - $t_{wU} \geq 8/f_{osc}$ : i.e.  $t_{wU} \geq 625$  ns,  $f_{osc} = 12.8$  MHz
    - $t_{wL} \geq 16/f_{osc}$ : i.e.  $t_{wL} \geq 1250$  ns,  $f_{osc} = 12.8$  MHz

# MB15C100 Series

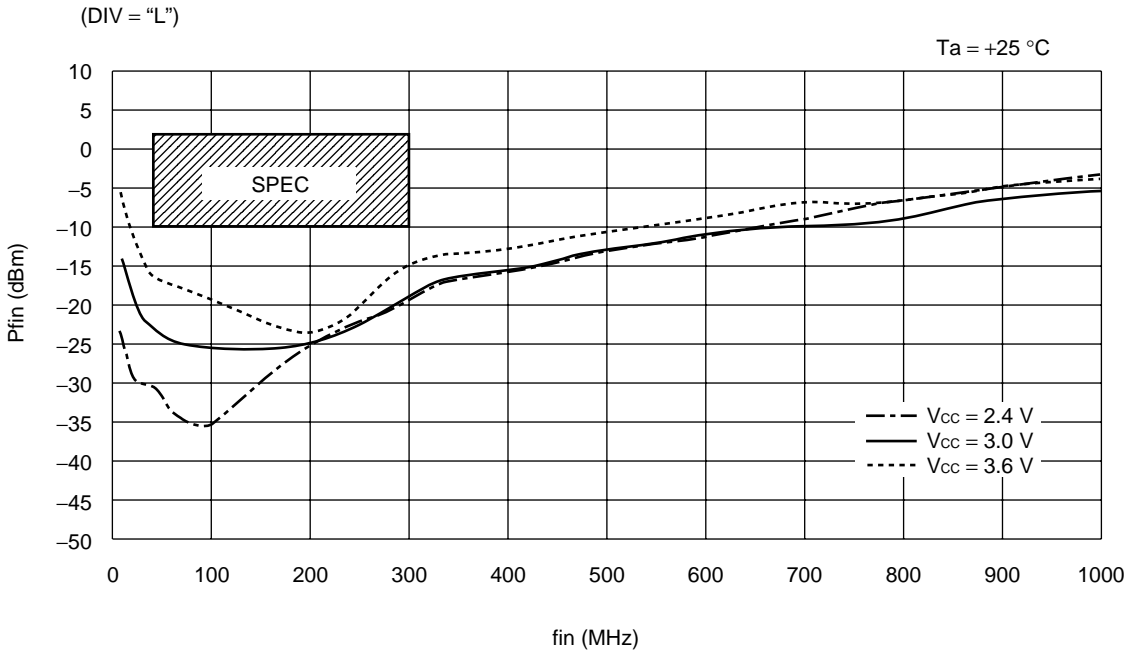
## MEASUREMENT CIRCUIT (fin, OSCin Input Sensitivity)



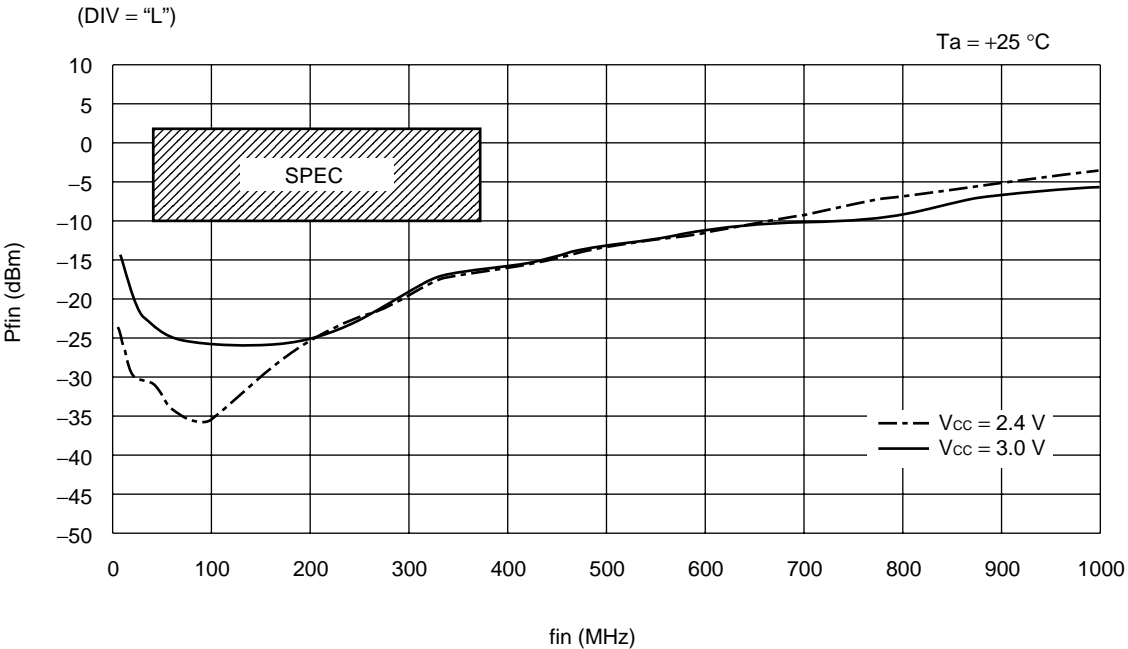
## TYPICAL CHARACTERISTICS

### 1. Input Sensitivity ( $f_{in}$ Pin)

•  $f_{in} \leq 300$  MHz,  $V_{CC} = 2.4$  to  $3.6$  V



•  $f_{in} \leq 380$  MHz,  $V_{CC} = 2.4$  to  $3.0$  V

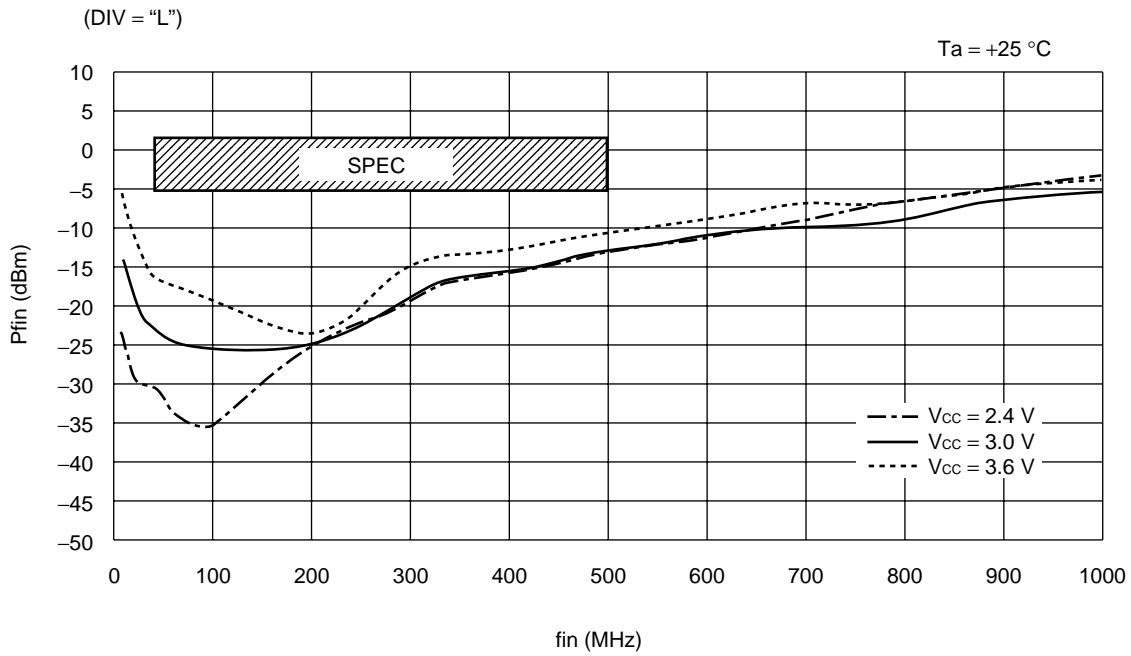


(Continued)

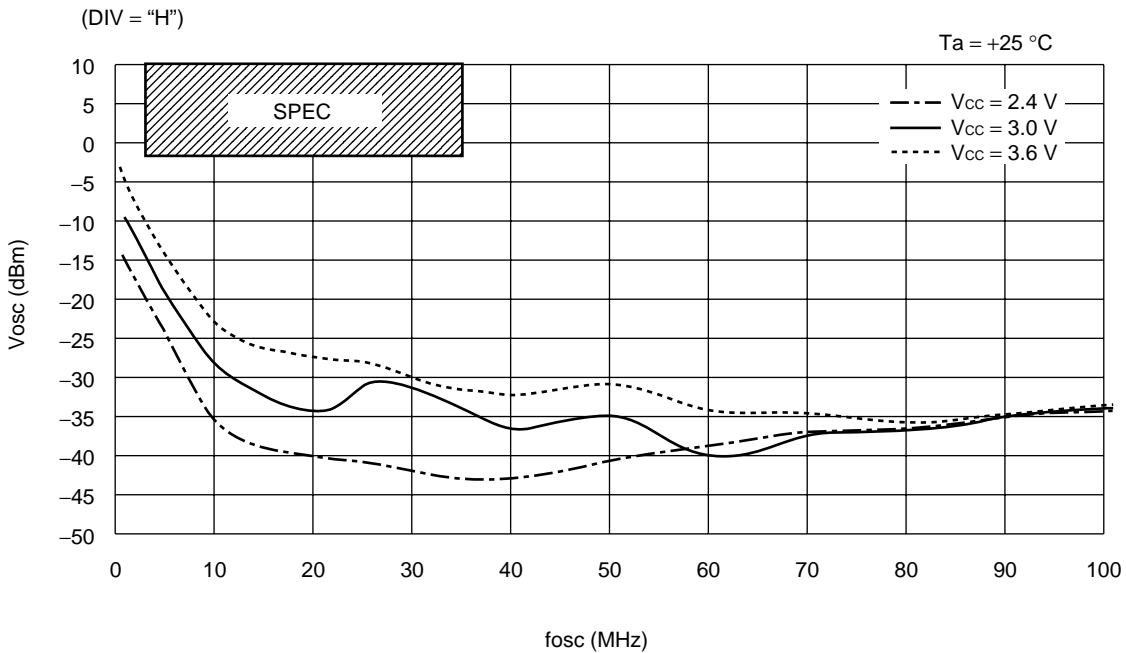
# MB15C100 Series

(Continued)

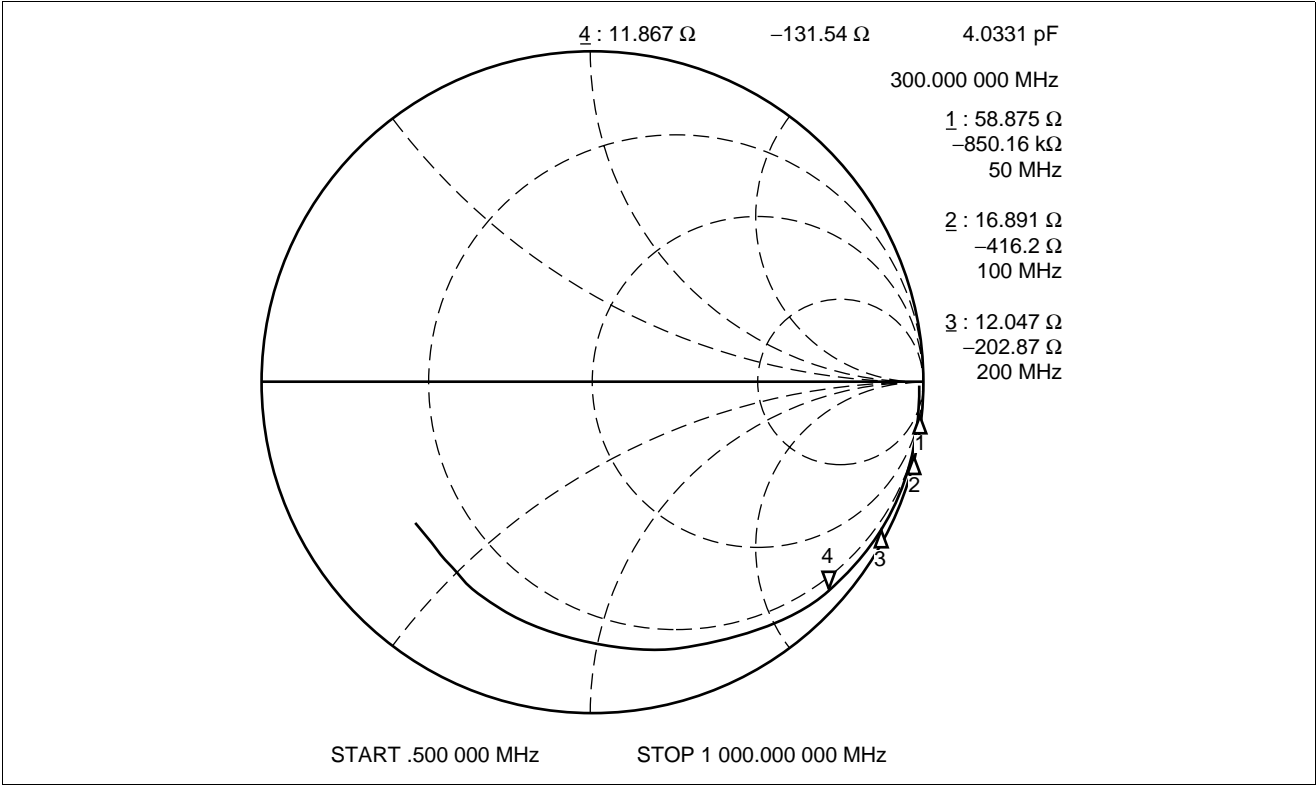
•  $f_{in} \leq 500$  MHz,  $V_{CC} = 2.4$  to  $3.6$  V



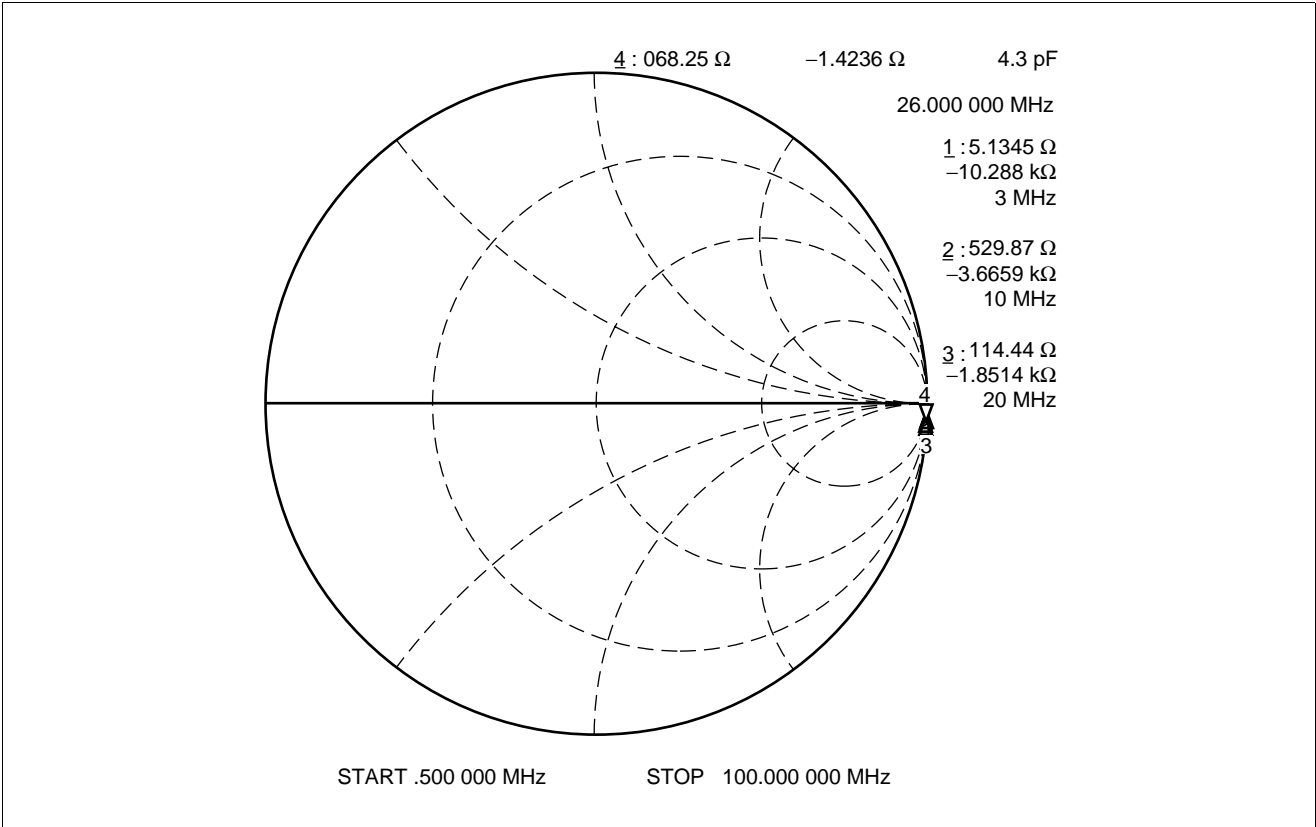
## 2. Input Sensitivity (OSCin Pin)



3. Input Impedance (fin Pin)



4. Input Impedance (OSCin Pin)

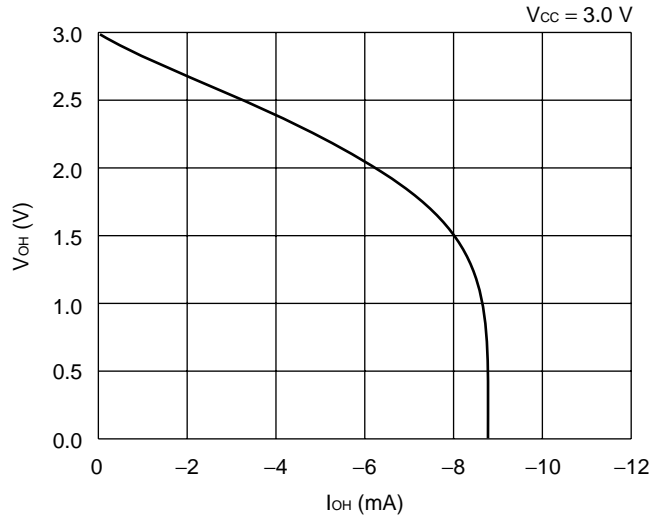


# MB15C100 Series

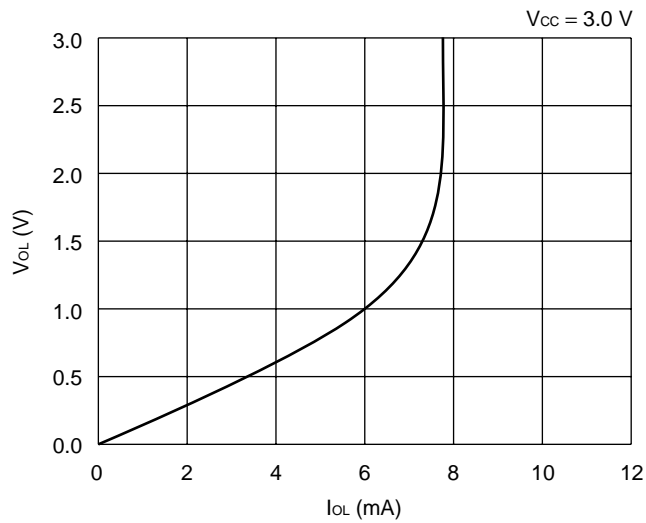
## 5. Output Current Characteristics

- Charge pump current (H type: high-speed sync charge pump)

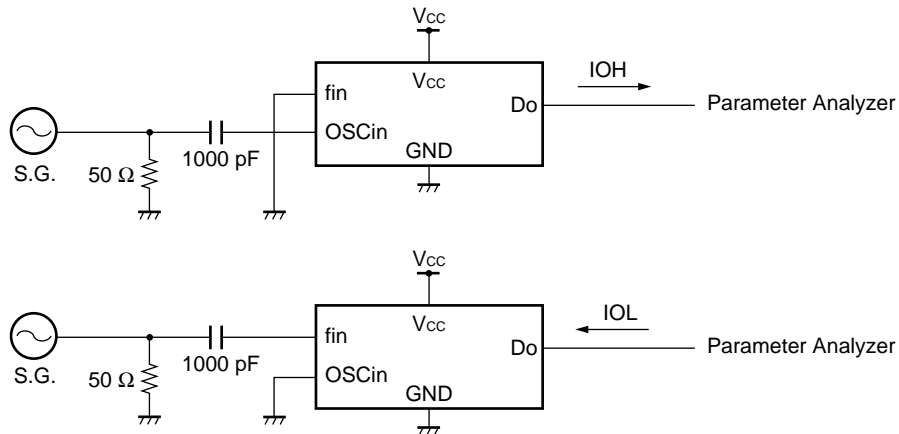
[VOH-IOH]



[VOL-IOL]

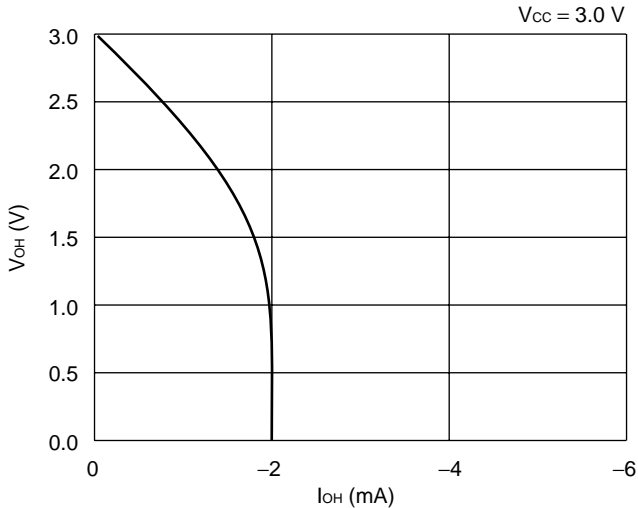


[Measurement circuit]

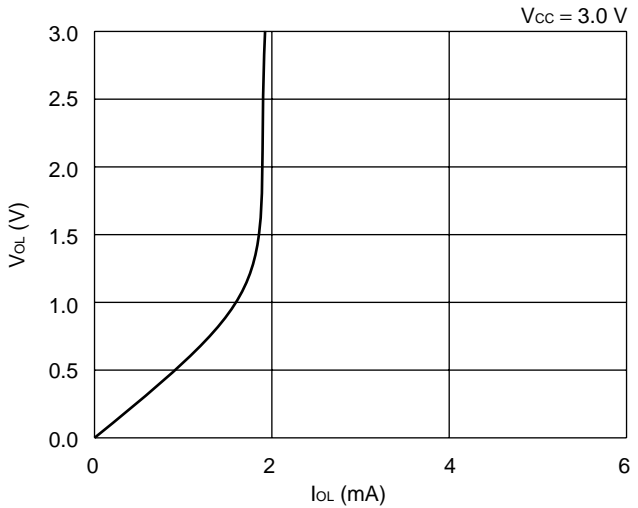


• Charge pump current (L type: low sensitivity charge pump)

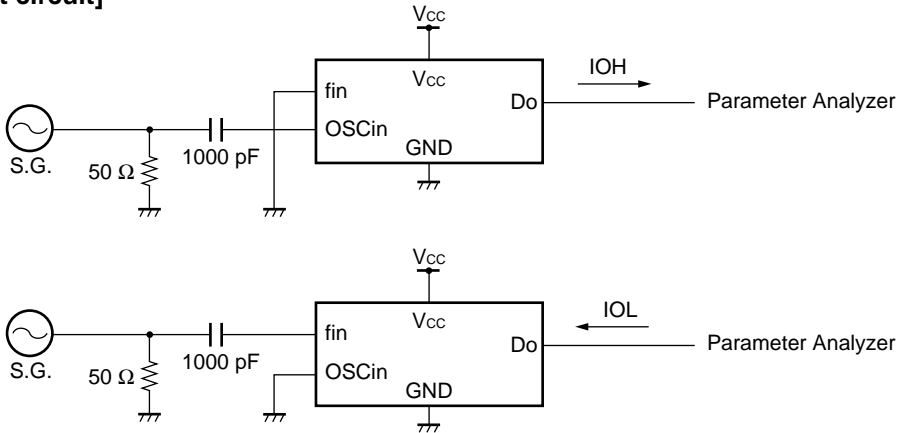
[VOH-IOH]



[VOL-IOL]



[Measurement circuit]



# MB15C100 Series

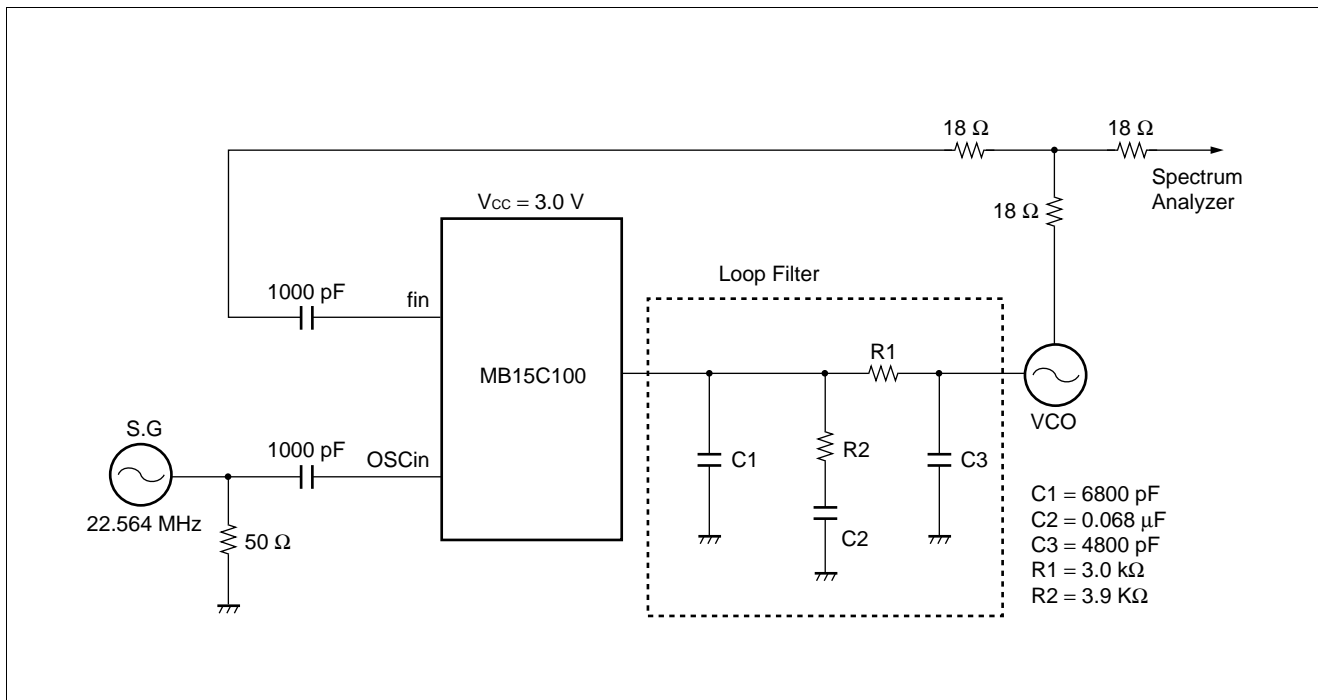
## REFERENCE INFORMATION

### 1. Application Measurement (H type: high-speed sync charge pump)

#### • Measurement results

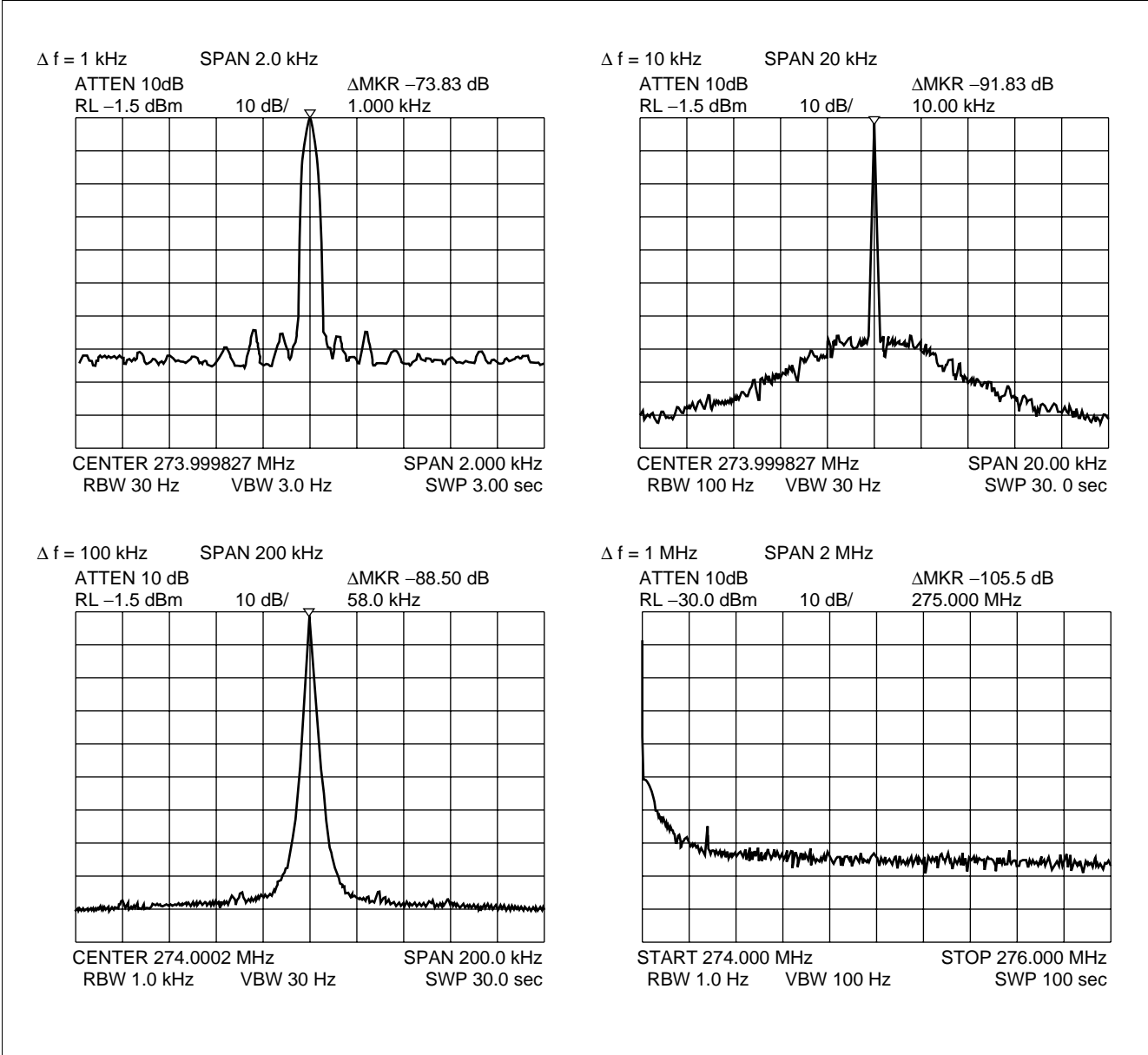
Parameter	Results
Lock up time $\pm 1$ kHz	2.3 ms
Unlock $\rightarrow$ Lock	3.4 ms
Power on $\rightarrow$ Lock	
Reference leakage ( $\Delta f = 58$ kHz)	-88.5 dBc
Phase noise ( $\Delta f = 1$ kHz)	-88.0 dBc/Hz
( $\Delta f = 10$ kHz)	-111.0 dBc/Hz
( $\Delta f = 100$ kHz)	-118.0 dBc/Hz
( $\Delta f = 1$ MHz)	-134.0 dBc/Hz
$V_{CC}$ (V)	3.0 V
VCO	Discrete VCO ( $K_v = 3.5$ MHz/V) Lock frequency = 274.0 MHz ( $f_r = 58$ kHz)

#### • Measurement circuit



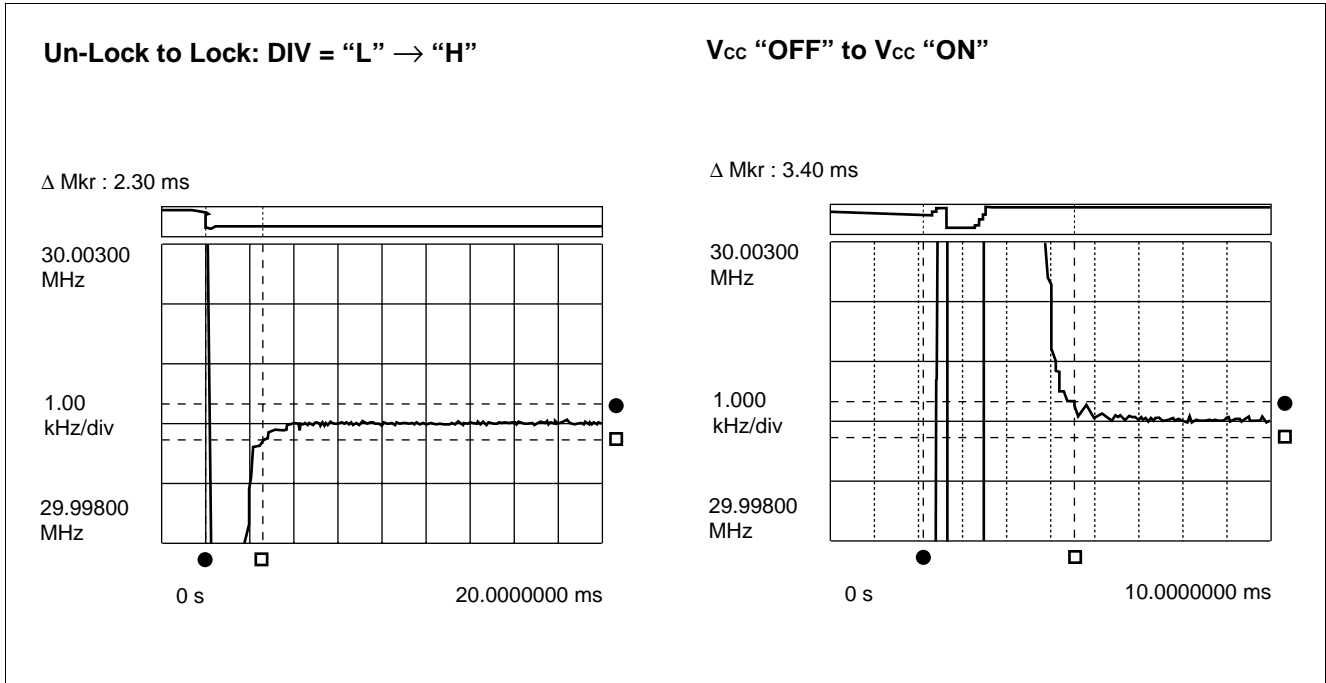


## 2. Phase Noise (H type: high-speed sync charge pump)



# MB15C100 Series

## 3. Lock-up Time: Un-Lock → Lock (H type: high-speed sync charge pump)

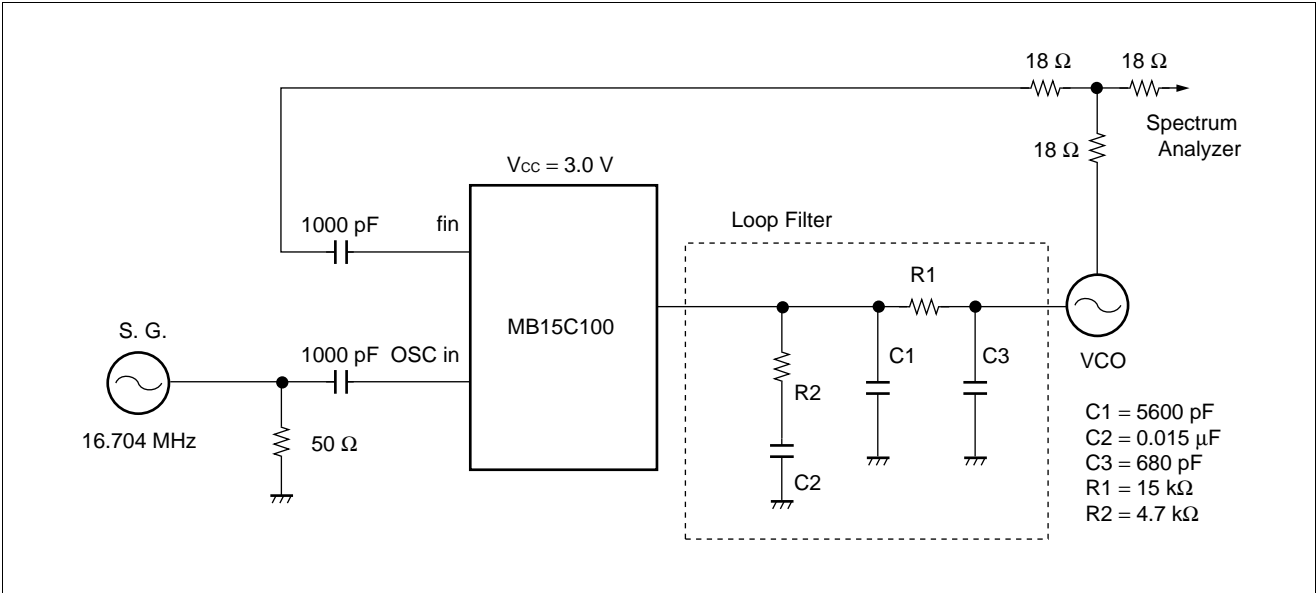


### 4. Application Measurement (L type: low sensitivity charge pump)

• Test results

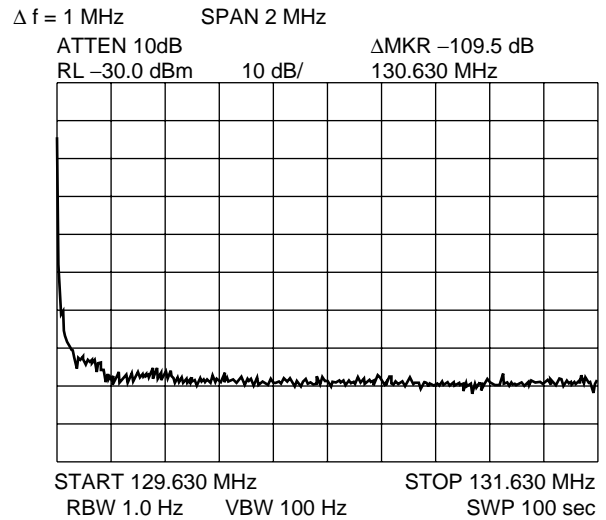
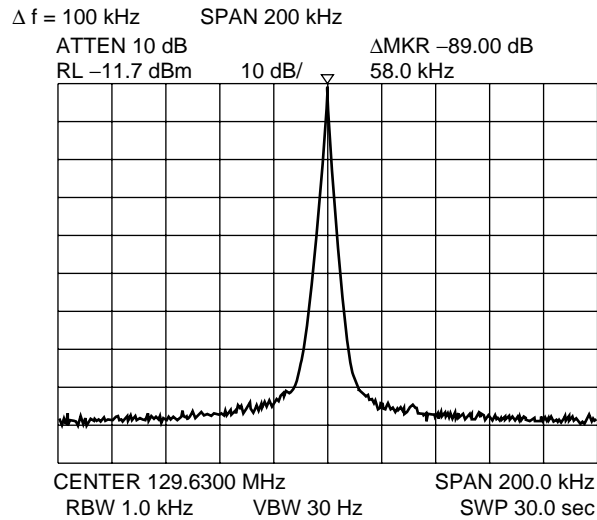
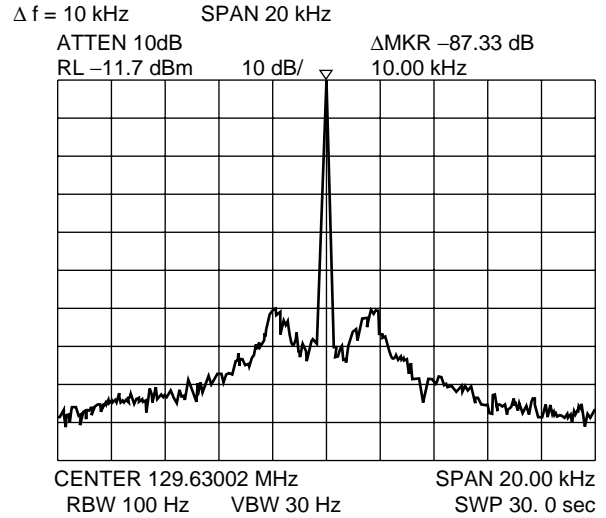
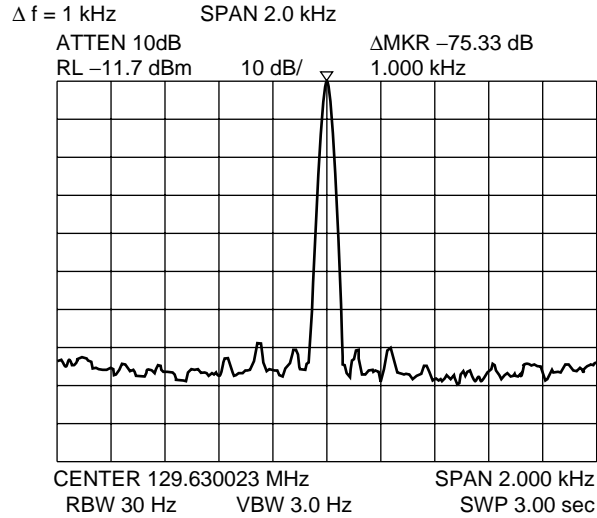
Parameter	Results
Lock-up time $\pm 1$ kHz Unlock $\rightarrow$ Lock Power on $\rightarrow$ Lock	3.4 ms 5.7 ms
Reference leakage ( $\Delta f = 58$ kHz)	-88.5 dBc
Phase noise ( $\Delta f = 1$ kHz) ( $\Delta f = 10$ kHz) ( $\Delta f = 100$ kHz) ( $\Delta f = 1$ MHz)	-90.1 dBc/Hz -107.3 dBc/Hz -119.0 dBc/Hz -127.8 dBc/Hz
V <sub>CC</sub> (V)	3.0 v
VCO	Discrete VCO ( $K_v = 2.2$ MHz/V) Lock Frequency = 129.63 MHz ( $f_r = 58$ kHz)

• Measurement circuit

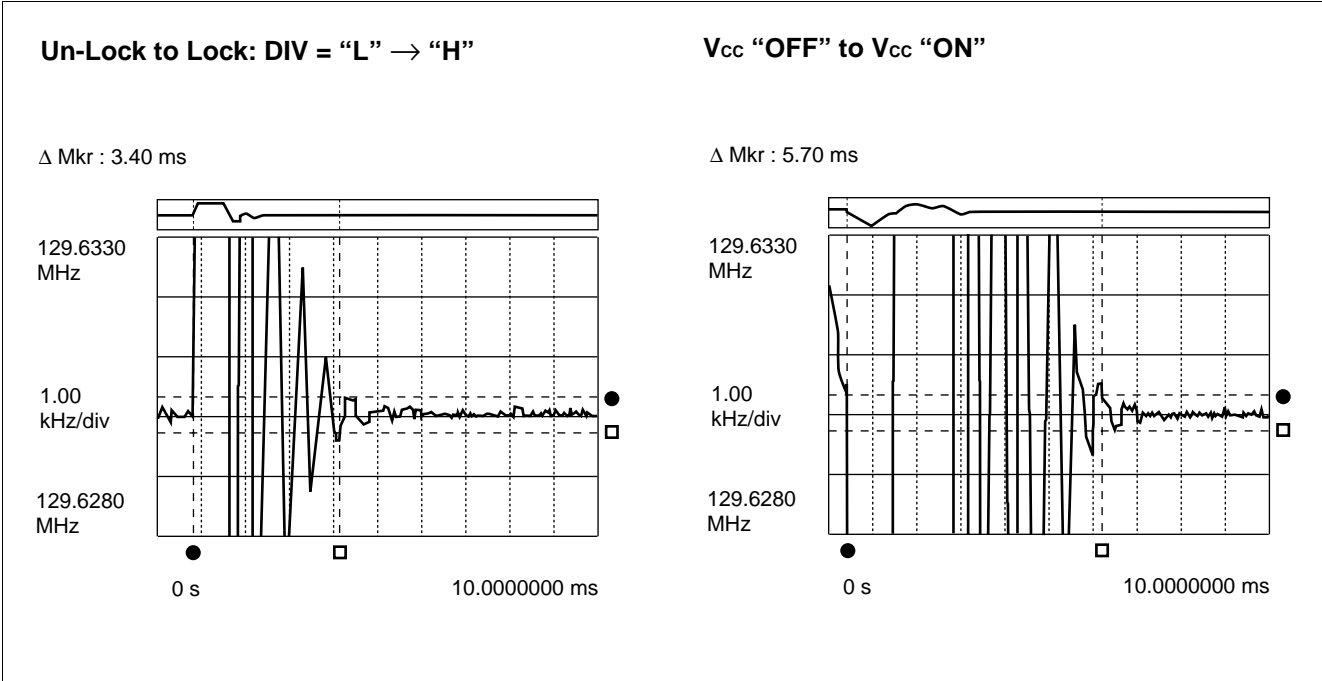


# MB15C100 Series

## 5. Phase Noise (L type: low sensitivity charge pump)



6. Lock-up Time: Un-Lock → Lock (L type : low sensitivity charge pump)

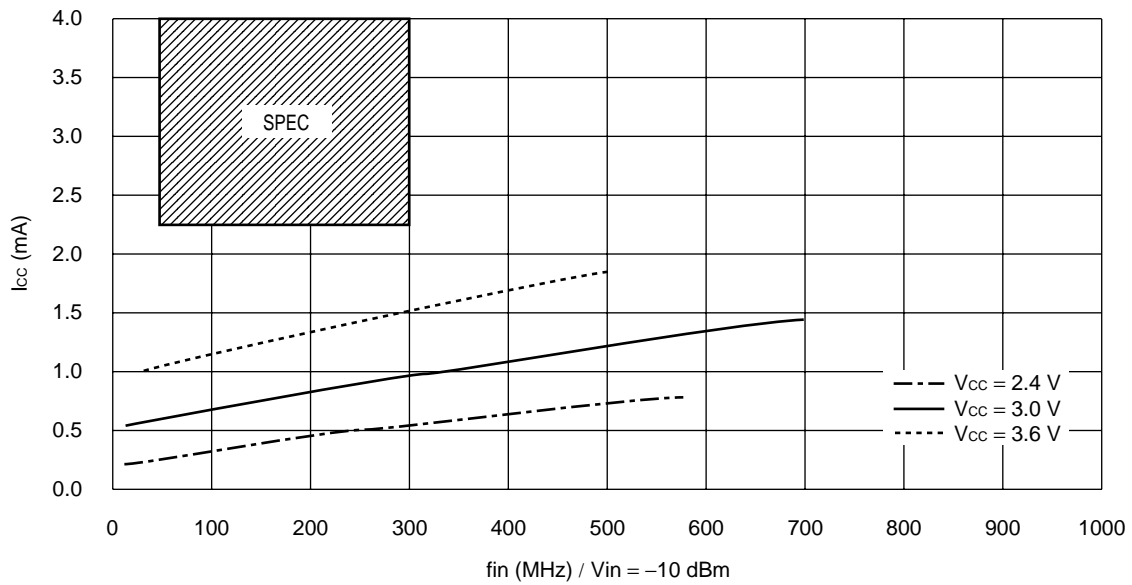


# MB15C100 Series

## 7. $I_{CC}$ Characteristics

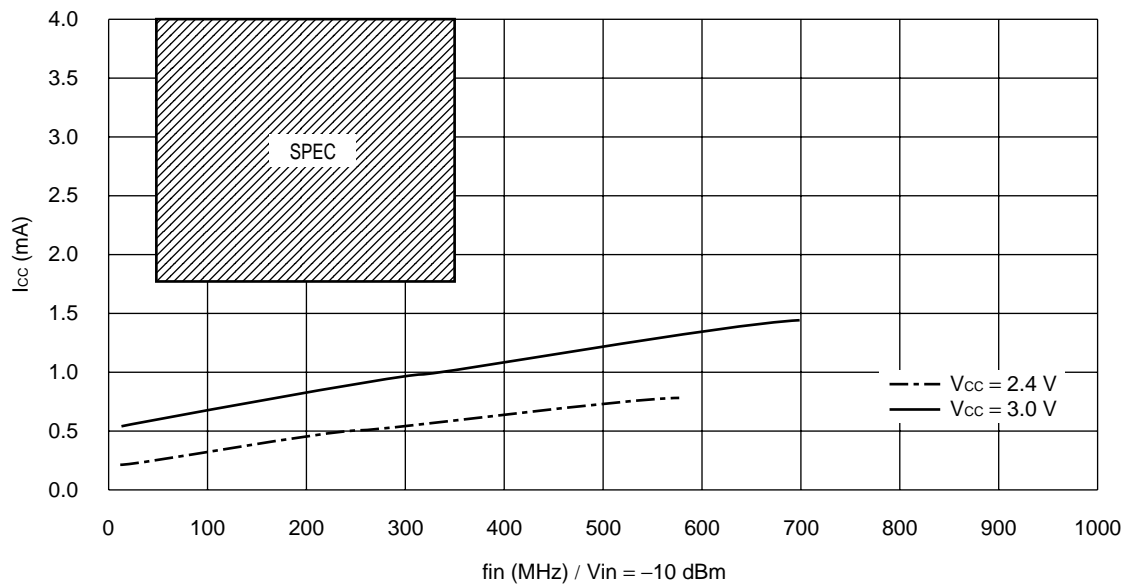
- $f_{in} \leq 300$  MHz,  $V_{CC} = 2.4$  to  $3.6$  V

(DIV = "L",  $f_{osc} = 19.2$  MHz /  $V_{osc} = -2$  dBm)



- $f_{in} \leq 380$  MHz,  $V_{CC} = 2.4$  to  $3.0$  V

(DIV = "L",  $f_{osc} = 19.2$  MHz /  $V_{osc} = -2$  dBm)

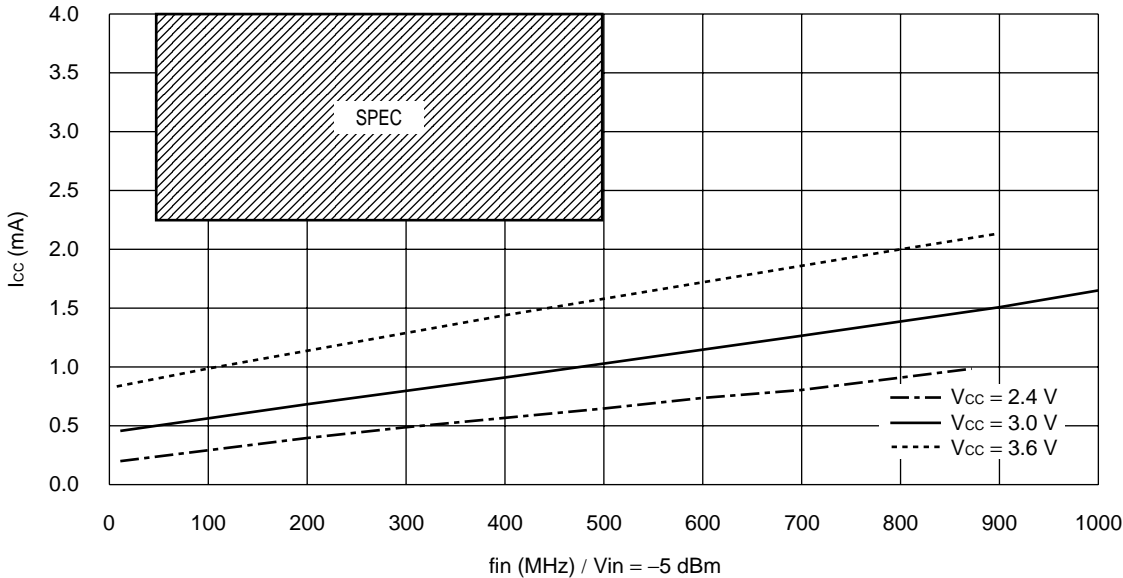


(Continued)

(Continued)

•  $f_{in} \leq 500$  MHz,  $V_{CC} = 2.4$  to  $3.6$  V

(DIV = "L",  $f_{osc} = 19.2$  MHz /  $V_{osc} = -2$  dBm)



# MB15C100 Series

## ■ USAGE PRECAUTIONS

- This device should be transported and stored in anti-static containers.
- This is a static-sensitive device; take proper anti-ESD precautions. Ensure that personnel and equipment are properly grounded. Cover workbenches with grounded conductive mats.
- Always turn the power supply off before inserting or removing the device from its socket.
- Protect leads with a conductive sheet when handling or transporting PC boards with devices.

## ■ ORDERING INFORMATION

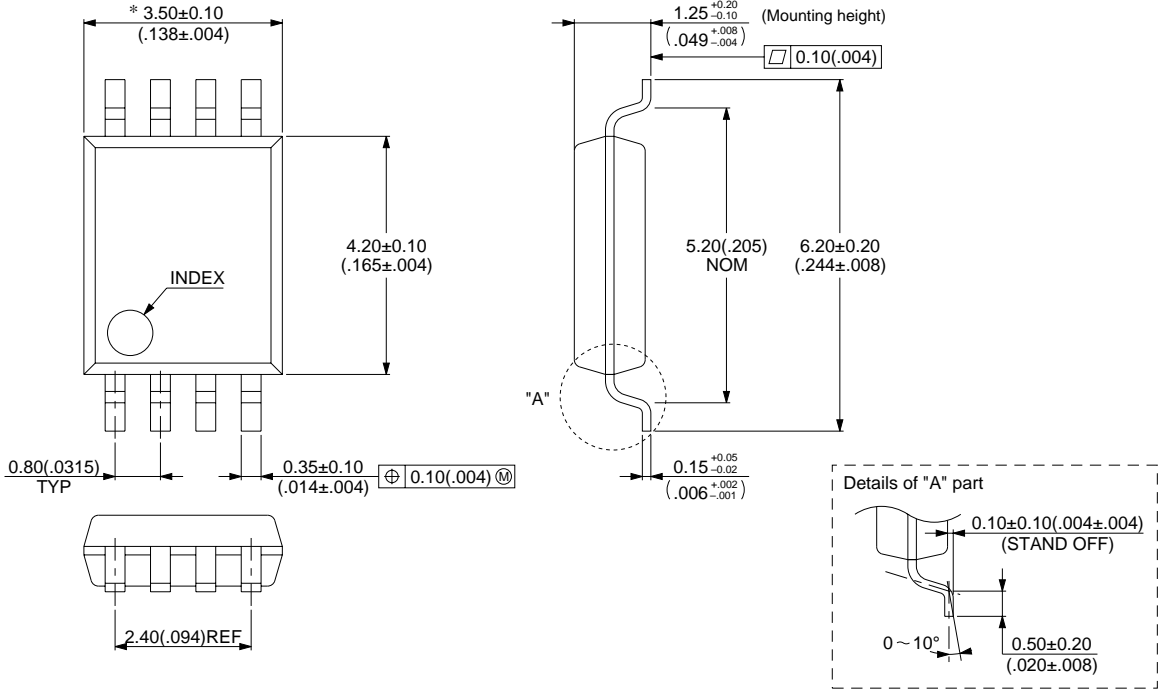
Part number	Package	Remarks
MB15C100PFV	8-pin Plastic SSOP (FPT-8P-M03)	
MB15C100PV1	16-pad Plastic BCC (LCC-16P-M06)	



## ■ PACKAGE DIMENSIONS

8-pin plastic SSOP  
(FPT-8P-M03)

\*: This dimension does not include resin protrusion.



© 1994 FUJITSU LIMITED F08005S-1C-2

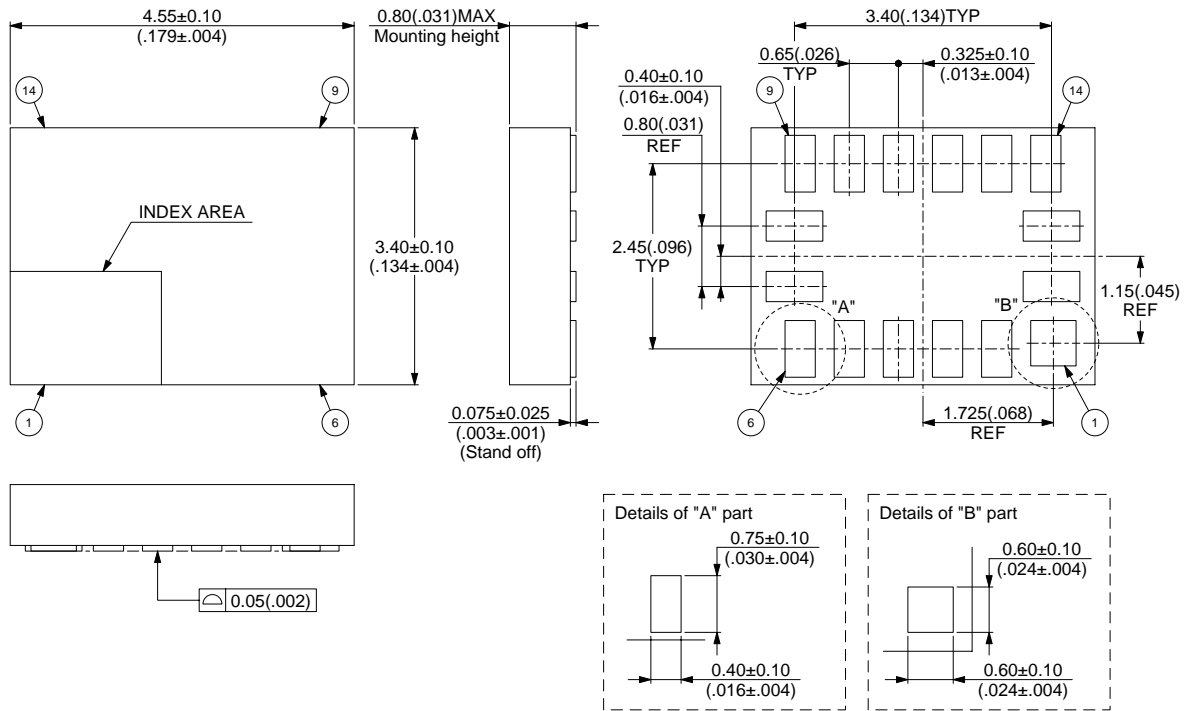
Dimensions in mm (inches)

(Continued)

# MB15C100 Series

(Continued)

## 16-pad plastic BCC (LCC-16P-M06)



© 1999 FUJITSU LIMITED C16017S-1C-1

Dimensions in mm (inches)

## ■ CUSTOMER REQUESTING SPECIFICATIONS

Parameter		Option	Requirements	
$f_{VCO}$	VCO output frequency	50 to 500 MHz (* 30 to 380 MHz: $V_{CC} = 2.4\text{ V to }3.0\text{ V}$ ) (*30 to 500 MHz: $V_{in} = -5\text{ to }+2\text{ dBm}$ ) $f_{VCO} = [(P \times N) + A] \times f_r$ ( $N > A$ , $P > A$ )		
$f_{osc}$	Reference oscillation frequency	3 to 26 MHz $f_{osc} = R \times f_r$		
Power saving function (PS) Div type or PS type		A type (Div) or B type (PS)		
Comparison divider	N	Main counter divide ratio	5 to 4095	
	A	Swallow counter divide ratio	0 to 31	
	P	Prescaler divide ratio	8/9, 16/17 or 32/33	
Reference divider	R	Reference counter divide ratio	5 to 4095	
	$f_r$	Reference frequency	Option	
	CP	Charge pump type	H type (high-speed sync) or L type (Low sensitivity)	
Package type		SSOP-8 or BCC-16		
ES request date/qty.		Typically 4 weeks from spec. fix to the first ES.		
CS request date/qty.		—		
MP request date/qty.		—		
Customer comments				

## FUJITSU LIMITED

*For further information please contact:*

### **Japan**

FUJITSU LIMITED  
Corporate Global Business Support Division  
Electronic Devices  
KAWASAKI PLANT, 4-1-1, Kamikodanaka  
Nakahara-ku, Kawasaki-shi  
Kanagawa 211-8588, Japan  
Tel: 81(44) 754-3763  
Fax: 81(44) 754-3329

<http://www.fujitsu.co.jp/>

### **North and South America**

FUJITSU MICROELECTRONICS, INC.  
Semiconductor Division  
3545 North First Street  
San Jose, CA 95134-1804, USA  
Tel: (408) 922-9000  
Fax: (408) 922-9179

Customer Response Center  
*Mon. - Fri.: 7 am - 5 pm (PST)*  
Tel: (800) 866-8608  
Fax: (408) 922-9179

<http://www.fujitsumicro.com/>

### **Europe**

FUJITSU MIKROELEKTRONIK GmbH  
Am Siebenstein 6-10  
D-63303 Dreieich-Buchsschlag  
Germany  
Tel: (06103) 690-0  
Fax: (06103) 690-122

<http://www.fujitsu-edc.com/>

### **Asia Pacific**

FUJITSU MICROELECTRONICS ASIA PTE LTD  
#05-08, 151 Lorong Chuan  
New Tech Park  
Singapore 556741  
Tel: (65) 281-0770  
Fax: (65) 281-0220

<http://www.fmap.com.sg/>

F9904

© FUJITSU LIMITED Printed in Japan

All Rights Reserved.

The contents of this document are subject to change without notice. Customers are advised to consult with FUJITSU sales representatives before ordering.

The information and circuit diagrams in this document are presented as examples of semiconductor device applications, and are not intended to be incorporated in devices for actual use. Also, FUJITSU is unable to assume responsibility for infringement of any patent rights or other rights of third parties arising from the use of this information or circuit diagrams.

FUJITSU semiconductor devices are intended for use in standard applications (computers, office automation and other office equipment, industrial, communications, and measurement equipment, personal or household devices, etc.).

#### **CAUTION:**

Customers considering the use of our products in special applications where failure or abnormal operation may directly affect human lives or cause physical injury or property damage, or where extremely high levels of reliability are demanded (such as aerospace systems, atomic energy controls, sea floor repeaters, vehicle operating controls, medical devices for life support, etc.) are requested to consult with FUJITSU sales representatives before such use. The company will not be responsible for damages arising from such use without prior approval.

Any semiconductor devices have an inherent chance of failure. You must protect against injury, damage or loss from such failures by incorporating safety design measures into your facility and equipment such as redundancy, fire protection, and prevention of over-current levels and other abnormal operating conditions.

If any products described in this document represent goods or technologies subject to certain restrictions on export under the Foreign Exchange and Foreign Trade Law of Japan, the prior authorization by Japanese government will be required for export of those products from Japan.