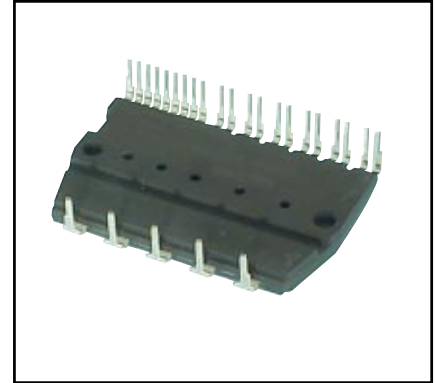
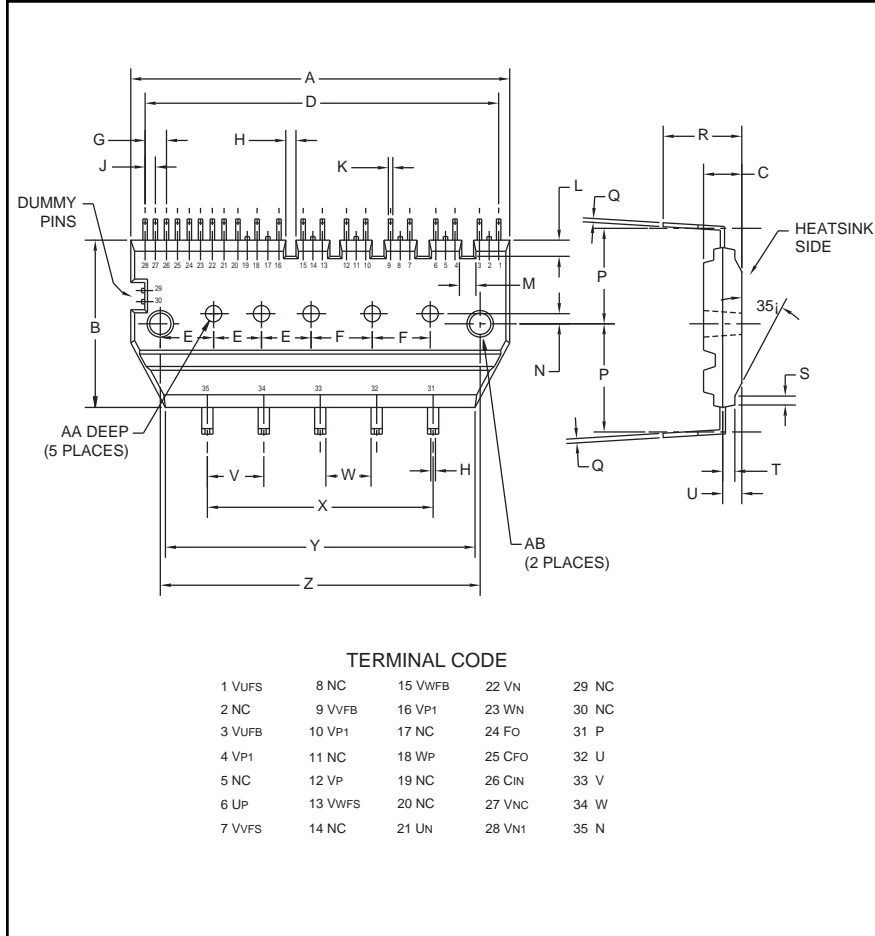


### Intellimod™ Module Dual-In-Line Intelligent Power Module 15 Amperes/600 Volts



**Description:**  
DIP and Mini DIP-IPMs are intelligent power modules that integrate power devices, drivers, and protection circuitry in an ultra compact dual-in-line transfer-mold package for use in driving small three phase motors. Use of 5th generation IGBTs, DIP packaging, and application specific HVICs allow the designer to reduce inverter size and overall design time.

**Features:**

- Compact Packages
- Single Power Supply
- Integrated HVICs
- Direct Connection to CPU

**Applications:**

- Washing Machines
- Refrigerators
- Air Conditioners
- Small Servo Motors
- Small Motor Control

**Ordering Information:**

PS21564 is a 600V, 15 Ampere Mini DIP Intelligent Power Module.

**Outline Drawing and Circuit Diagram**

Dimensions	Inches	Millimeters
A	1.93	49.0
B	1.20	30.5
C	0.20	5.0
D	1.82	46.23
E	0.25	6.25
F	0.32	8.0
G	0.14	3.556
H	0.04	1.0
J	0.07	1.778
K	0.02	0.5
L	0.06	1.5
M	0.07 Min.	1.8 Min.
N	0.30	0.75

Dimensions	Inches	Millimeters
P	0.69	17.4
Q	0.02	0.5
R	0.41	10.5
S	0.05	1.2
T	0.05	1.25
U	0.10	2.5
V	0.30	7.62
W	0.16 Min.	4.0 Min.
X	1.20	30.48
Y	1.61	41.0
Z	1.65	42.0
AA	0.08 Dia.	2.0 Dia.
AB	0.13 Dia.	3.3 Dia.



Powerex, Inc., 200 E. Hillis Street, Youngwood, Pennsylvania 15697-1800 (724) 925-7272

**PS21564**  
**Intellimod™ Module**  
**Dual-In-Line Intelligent Power Module**  
 15 Amperes/600 Volts

**Absolute Maximum Ratings,  $T_j = 25^\circ\text{C}$  unless otherwise specified**

Characteristics	Symbol	PS21564	Units
Power Device Junction Temperature*	$T_j$	-20 to 125	$^\circ\text{C}$
Module Case Operation Temperature (See $T_f$ Measurement Point Illustration)	$T_f$	-20 to 100	$^\circ\text{C}$
Storage Temperature	$T_{\text{stg}}$	-40 to 125	$^\circ\text{C}$
Mounting Torque, M3 Mounting Screws	—	8.5	in-lb
Module Weight (Typical)	—	20	Grams
Self-protection Supply Voltage Limit (Short Circuit Protection Capability)**	$V_{\text{CC(prot.)}}$	400	Volts
Isolation Voltage, AC 1 minute, 60Hz Sinusoidal, Connection Pins to Heatsink Plate	$V_{\text{ISO}}$	2500	Volts

\*The maximum junction temperature rating of the power chips integrated within the DIP-IPM is  $150^\circ\text{C}$  ( $@T_f \leq 100^\circ\text{C}$ ). However, to ensure safe operation of the DIP-IPM, the average junction temperature should be limited to  $T_{j(\text{avg})} \leq 125^\circ\text{C}$  ( $@T_f \leq 100^\circ\text{C}$ ).

\*\* $V_D = 13.5 - 16.5\text{V}$ , Inverter Part,  $T_j = 125^\circ\text{C}$ , Non-repetitive, Less than  $2\mu\text{s}$

**IGBT Inverter Sector**

Collector-Emitter Voltage	$V_{\text{CES}}$	600	Volts
Collector Current ( $T_f = 25^\circ\text{C}$ )	$\pm I_C$	15	Amperes
Peak Collector Current ( $T_f = 25^\circ\text{C}$ , $<1\text{ms}$ )	$\pm I_{\text{CP}}$	30	Amperes
Supply Voltage (Applied between P - N)	$V_{\text{CC}}$	450	Volts
Supply Voltage, Surge (Applied between P - N)	$V_{\text{CC(surge)}}$	500	Volts
Collector Dissipation ( $T_f = 25^\circ\text{C}$ , per 1 Chip)	$P_C$	22.2	Watts

**Control Sector**

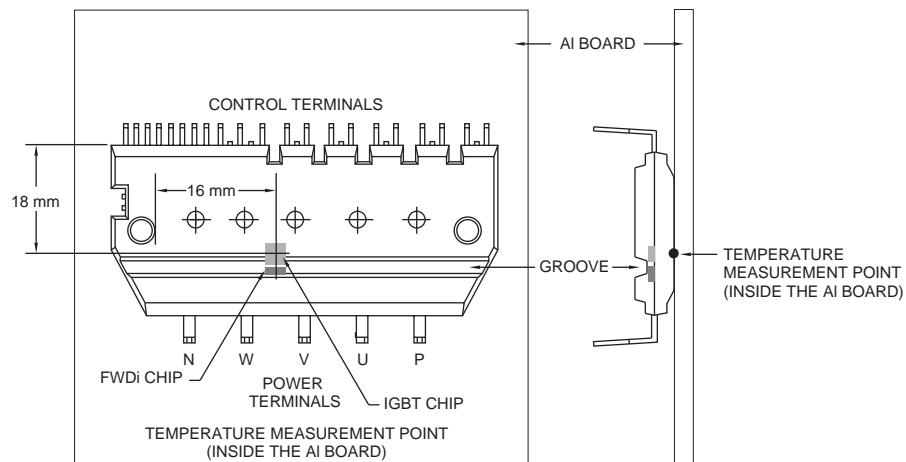
Supply Voltage (Applied between $V_{P1}-V_{\text{NC}}$ , $V_{N1}-V_{\text{NC}}$ )	$V_D$	20	Volts
Supply Voltage (Applied between $V_{\text{UFB}}-V_{\text{UFS}}$ , $V_{\text{VFB}}-V_{\text{VFS}}$ , $V_{\text{WFB}}-V_{\text{WFS}}$ )	$V_{\text{DB}}$	20	Volts
Input Voltage (Applied between $U_P$ , $V_P$ , $W_P-V_{\text{NC}}$ , $U_N$ , $V_N$ , $W_N-V_{\text{NC}}$ )	$V_{\text{IN}}$	$-0.5 \sim V_D+0.5$	Volts
Fault Output Supply Voltage (Applied between $F_O-V_{\text{NC}}$ )	$V_{\text{FO}}$	$-0.5 \sim V_D+0.5$	Volts
Fault Output Current (Sink Current at $F_O$ Terminal)	$I_{\text{FO}}$	1	mA
Current Sensing Input Voltage (Applied between $C_{\text{IN}}-V_{\text{NC}}$ )	$V_{\text{SC}}$	$-0.5 \sim V_D+0.5$	Volts

**PS21564**  
**Intellimod™ Module**  
**Dual-In-Line Intelligent Power Module**  
 15 Amperes/600 Volts

## Electrical and Mechanical Characteristics, $T_j = 25^\circ\text{C}$ unless otherwise specified

Characteristics	Symbol	Test Conditions	Min.	Typ.	Max.	Units
<b>IGBT Inverter Sector</b>						
Collector-Emitter Cutoff Current	$I_{CES}$	$V_{CE} = V_{CES}, T_j = 25^\circ\text{C}$	—	—	1.0	mA
		$V_{CE} = V_{CES}, T_j = 125^\circ\text{C}$	—	—	10	mA
Diode Forward Voltage	$V_{EC}$	$T_j = 25^\circ\text{C}, -I_C = 15\text{A}, V_{IN} = 0\text{V}$	—	1.50	2.00	Volts
Collector-Emitter Saturation Voltage	$V_{CE(sat)}$	$I_C = 15\text{A}, T_j = 25^\circ\text{C}, V_D = V_{DB} = 15\text{V}, V_{IN} = 5\text{V}$	—	1.45	1.95	Volts
		$I_C = 15\text{A}, T_j = 125^\circ\text{C}, V_D = V_{DB} = 15\text{V}, V_{IN} = 5\text{V}$	—	1.55	2.05	Volts
Inductive Load Switching Times	$t_{on}$		0.60	1.10	1.70	$\mu\text{s}$
	$t_{rr}$	$V_{CC} = 300\text{V}, V_D = V_{DB} = 15\text{V},$	—	0.30	—	$\mu\text{s}$
	$t_{C(on)}$	$I_C = 15\text{A}, T_j = 125^\circ\text{C}, V_{IN} = 5 \leftrightarrow 0\text{V},$	—	0.40	0.60	$\mu\text{s}$
	$t_{off}$	Inductive Load (Upper-Lower Arm)	—	1.50	2.10	$\mu\text{s}$
	$t_{C(off)}$		—	0.50	0.80	$\mu\text{s}$

$T_f$  Measurement Point





Powerex, Inc., 200 E. Hillis Street, Youngwood, Pennsylvania 15697-1800 (724) 925-7272

**PS21564**  
**Intellimod™ Module**  
**Dual-In-Line Intelligent Power Module**  
 15 Amperes/600 Volts

**Electrical and Mechanical Characteristics,  $T_j = 25^\circ\text{C}$  unless otherwise specified**

Characteristics	Symbol	Test Conditions	Min.	Typ.	Max.	Units
<b>Control Sector</b>						
Control Supply Voltage	$V_D$	Applied between $V_{P1}$ - $V_{NC}$ , $V_{N1}$ - $V_{NC}$	13.5	15.0	16.5	Volts
	$V_{DB}$	Applied between $V_{UFB}$ - $V_{UFS}$ , $V_{VFB}$ - $V_{VFS}$ , $V_{WFB}$ - $V_{WFS}$	13.0	15.0	18.5	Volts
Circuit Current	$I_D$	$V_D = V_{DB} = 15\text{V}$ , $V_{IN} = 5\text{V}$ , Total of $V_{P1}$ - $V_{NC}$ , $V_{N1}$ - $V_{NC}$	—	—	5.00	mA
		$V_D = V_{DB} = 15\text{V}$ , $V_{IN} = 0\text{V}$ , Total of $V_{P1}$ - $V_{NC}$ , $V_{N1}$ - $V_{NC}$	—	—	7.00	mA
	$V_{UFB}$ - $V_{UFS}$ , $V_{VFB}$ - $V_{VFS}$ , $V_{WFB}$ - $V_{WFS}$	$V_D = V_{DB} = 15\text{V}$ , $V_{IN} = 5\text{V}$ ,	—	—	0.40	mA
		$V_D = V_{DB} = 15\text{V}$ , $V_{IN} = 0\text{V}$ ,	—	—	0.55	mA
Fault Output Voltage	$V_{FOH}$	$V_{SC} = 0\text{V}$ , $F_O$ Circuit: 10k $\Omega$ to 5V Pull-up	4.9	—	—	Volts
	$V_{FOL}$	$V_{SC} = 1\text{V}$ , $I_{FO} = 1\text{mA}$	—	—	0.95	Volts
Input Current	$I_{IN}$	$V_{IN} = 5\text{V}$	1.0	1.50	2.00	mA
PWM Input Frequency	$f_{PWM}$	$T_f \leq 100^\circ\text{C}$ , $T_j \leq 125^\circ\text{C}$	—	5	—	kHz
Short Circuit Trip Level*	$V_{SC}(\text{ref})$	$T_j = 25^\circ\text{C}$ , $V_D = 15\text{V}$	0.43	0.48	0.53	Volts
Supply Circuit Under-voltage Protection	$UV_{DBt}$	Trip Level, $T_j \leq 125^\circ\text{C}$	10.0	—	12.0	Volts
	$UV_{DBr}$	Reset Level, $T_j \leq 125^\circ\text{C}$	10.5	—	12.5	Volts
	$UV_{Dt}$	Trip Level, $T_j \leq 125^\circ\text{C}$	10.3	—	12.5	Volts
	$UV_{Dr}$	Reset Level, $T_j \leq 125^\circ\text{C}$	10.8	—	13.0	Volts
Fault Output Pulse Width**	$t_{FO}$	$C_{FO} = 22\text{nF}$	1.0	1.8	—	ms
ON Threshold Voltage	$V_{th(\text{on})}$	Applied between $U_p$ , $V_p$ , $W_p$ - $V_{NC}$ ,	2.1	2.3	2.6	Volts
OFF Threshold Voltage	$V_{th(\text{off})}$	$U_n$ , $V_n$ , $W_n$ - $V_{NC}$	0.8	1.4	2.1	Volts

\* Short Circuit protection is functioning only at the lower arms. Please select the value of the external shunt resistor such that the SC trip level is less than 25.5A.

\*\*Fault signal is asserted when the lower arm short circuit or control supply under-voltage protective functions operate. The fault output pulse-width  $t_{FO}$  depends on the capacitance value of  $C_{FO}$  according to the following approximate equation:  $C_{FO} = (12.2 \times 10^{-6}) \times t_{FO} \{F\}$ .



Powerex, Inc., 200 E. Hillis Street, Youngwood, Pennsylvania 15697-1800 (724) 925-7272

**PS21564**  
**Intellimod™ Module**  
**Dual-In-Line Intelligent Power Module**  
 15 Amperes/600 Volts

### Thermal Characteristics

Characteristic	Symbol	Condition	Min.	Typ.	Max.	Units
Junction to Fin	$R_{th(j-f)Q}$	IGBT Part (Per 1/6 Module)	—	—	4.5	°C/Watt
Thermal Resistance	$R_{th(j-f)D}$	FWDi Part (Per 1/6 Module)	—	—	6.5	°C/Watt

### Recommended Conditions for Use

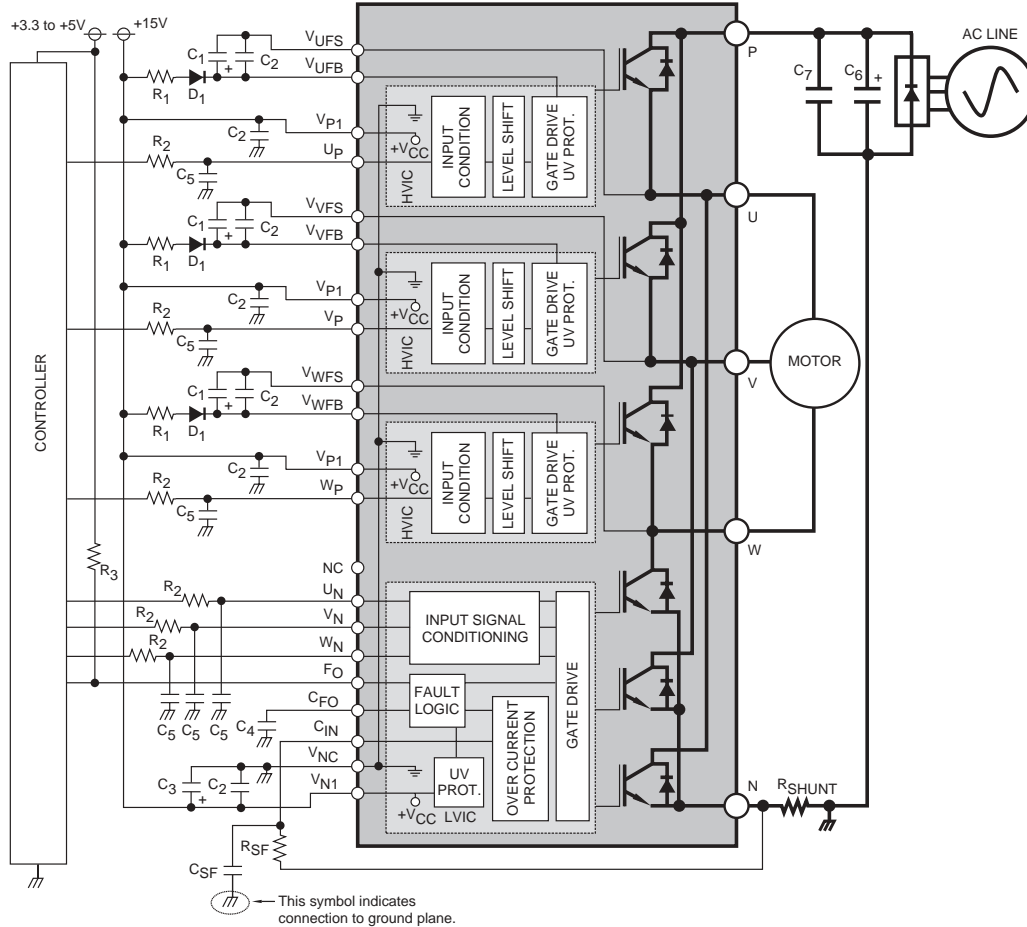
Characteristic	Symbol	Condition	Min.	Typ.	Value	Units
Supply Voltage	$V_{CC}$	Applied between P-N Terminals	0	300	400	Volts
Control Supply Voltage	$V_D$	Applied between $V_{P1}-V_{NC}$ , $V_{N1}-V_{NC}$	13.5	15.0	16.5	Volts
	$V_{DB}$	Applied between $V_{UFB}-V_{UFS}$ , $V_{VFB}-V_{VFS}$ , $V_{WFB}-V_{WFS}$	13.0	15.0	18.5	Volts
Control Supply Variation	$\Delta V_D, \Delta V_{DB}$		-1	—	1	V/ $\mu$ s
PWM Input Frequency	$f_{PWM}$	$T_f \leq 100^\circ\text{C}$ , $T_j \leq 125^\circ\text{C}$	—	5	—	kHz
Allowable rms Current*	$I_O$	$V_{CC} = 300\text{V}$ , $V_D = 15\text{V}$ , $f_C = 5\text{kHz}$ , PF = 0.8, Sinusoidal, $T_j \leq 125^\circ\text{C}$ , $T_f \leq 100^\circ\text{C}$	—	—	7.5	Arms
Minimum Input Pulse Width**	$P_{WIN}$	ON / OFF	300	—	—	ns
$V_{NC}$ Variation	$V_{NC}$	Between $V_{NC}-N$ (Including Surge)	-5.0	—	5.0	Volts
Arm Shoot-through Blocking Time	$t_{DEAD}$	For Each Input Signal, $T_f < 100^\circ\text{C}$	1.5	—	—	$\mu$ s

\* The allowable rms current value depends on the actual application conditions.

\*\*The input pulse width less than  $P_{WIN}$  might make no response.

**PS21564**  
**Intellimod™ Module**  
**Dual-In-Line Intelligent Power Module**  
 15 Amperes/600 Volts

**Mini DIP-IPM Application Circuit (Shown Pins Up)**



**Component Selection:**

Dsgn.	Typ. Value	Description
D1	1A, 600V	Boot strap supply diode – Ultra fast recovery
C1	10-100uF, 50V	Boot strap supply reservoir – Electrolytic, long life, low Impedance, 105°C (Note 5)
C2	0.22-2.0uF, 50V	Local decoupling/High frequency noise filters – Multilayer ceramic (Note 8)
C3	10-100uF, 50V	Control power supply filter – Electrolytic, long life, low Impedance, 105°C
C4	22nF, 50V	Fault lock-out timing capacitor – Multilayer ceramic (Note 4)
C5	100pF, 50V	Optional Input signal noise filter – Multilayer ceramic (Note 1)
C6	200-2000uF, 450V	Main DC bus filter capacitor – Electrolytic, long life, high ripple current, 105°C
C7	0.1-0.22uF, 450V	Surge voltage suppression capacitor – Polyester/Polypropylene film (Note 9)
CSF	1000pF, 50V	Short circuit detection filter capacitor – Multilayer Ceramic (Note 6, Note 7)
RSF	1.8k ohm	Short circuit detection filter resistor (Note 6, Note 7)
RSHUNT	5-100 mohm	Current sensing resistor - Non-inductive, temperature stable, tight tolerance (Note 10)
R1	10 ohm	Boot strap supply inrush limiting resistor (Note 5)
R2	330 ohm	Optional control input pull-up resistor (Note 1, Note 2)
R3	10k ohm	Fault output signal pull-up resistor (Note 3)

**Notes:**

- 1) To prevent input signal oscillations minimize wiring length to controller (~2cm). Additional RC filtering (C5 etc.) may be required. If filtering is added be careful to maintain proper dead time and voltage levels. See application notes for details.
- 2) Internal HVIC provides high voltage level shifting allowing direct connection of all six driving signals to the controller.
- 3) FO output is an open collector type. Pull-up resistor (R3) should be adjusted to current sink capability of the controller.
- 4) C4 sets the fault output duration and lock-out time.  $C4 \approx 12.2E^{-6} \times t_{FO}$ , 22nF gives ~1.8ms
- 5) Boot strap supply component values must be adjusted depending on the PWM frequency and technique.
- 6) Wiring length associated with RSHUNT, RSF, CSF must be minimized to avoid improper operation of the SC function.
- 7) RSF, CSF set short circuit protection trip time. Recommend time constant is 1.5us-2.0us. See application notes.
- 8) Local decoupling/high frequency filter capacitors must be connected as close as possible to the modules pins.
- 9) The length of the DC link wiring between C6, C7, the DIP's P terminal and the shunt must be minimized to prevent excessive transient voltages. In particular C7 should be mounted as close to the DIP as possible.
- 10) Use high quality, tight tolerance current sensing resistor. Connect resistor as close as possible to the DIP's N terminal. Be careful to check for proper power rating. See application notes for calculation of resistance value.