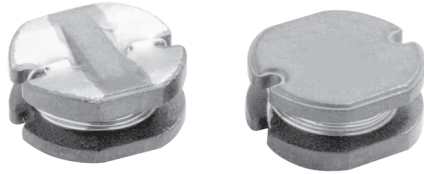


High Current, Surface Mount Inductor



FEATURES

- High energy storage.
- Low resistance.
- Tape and reel packaging for automatic handling.

ELECTRICAL SPECIFICATIONS

Inductance Range: 10.0 μ H to 820 μ H.

Inductance Tolerance: 20%.

Operating Temperature: - 25°C to + 105°C.

Storage Temperature: - 40°C to 125°C.

Resistance to Solder Heat: 260°C for 10 seconds.

MATERIALS

Core: Ferrite.

Wire: Enamelled copper wire.

Terminal: Ag + Ni + Sn/Pb.

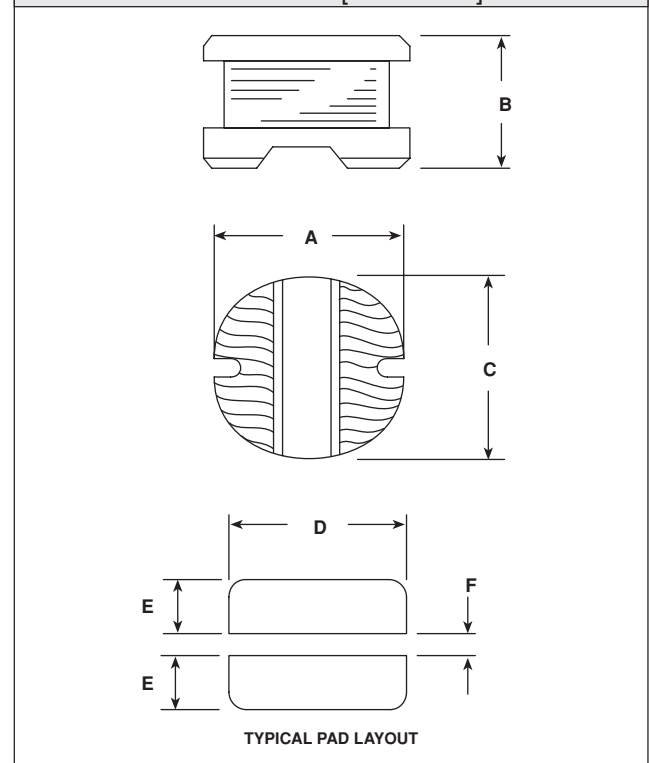
STANDARD ELECTRICAL SPECIFICATIONS

| INDUCTANCE (μ H) | TEST FREQUENCY L | DCR MAXIMUM (Ohms) | RATED DC CURRENT* (A) |
|-----------------------|------------------|--------------------|-----------------------|
| 10.0 | 2.52MHz | 0.06 | 2.60 |
| 12.0 | 2.25MHz | 0.07 | 2.45 |
| 15.0 | 2.25MHz | 0.08 | 2.27 |
| 18.0 | 2.25MHz | 0.09 | 2.15 |
| 22.0 | 2.25MHz | 0.10 | 1.95 |
| 27.0 | 2.25MHz | 0.11 | 1.76 |
| 33.0 | 2.25MHz | 0.12 | 1.50 |
| 39.0 | 2.25MHz | 0.14 | 1.37 |
| 47.0 | 2.25MHz | 0.17 | 1.28 |
| 56.0 | 2.25MHz | 0.19 | 1.17 |
| 68.0 | 2.25MHz | 0.22 | 1.11 |
| 82.0 | 2.25MHz | 0.25 | 1.00 |
| 100.0 | 1KHz | 0.35 | 0.97 |
| 120.0 | 1KHz | 0.40 | 0.89 |
| 150.0 | 1KHz | 0.47 | 0.78 |
| 180.0 | 1KHz | 0.63 | 0.72 |
| 220.0 | 1KHz | 0.73 | 0.66 |
| 270.0 | 1KHz | 0.97 | 0.57 |
| 330.0 | 1KHz | 1.15 | 0.52 |
| 390.0 | 1KHz | 1.30 | 0.48 |
| 470.0 | 1KHz | 1.48 | 0.42 |
| 560.0 | 1KHz | 1.90 | 0.33 |
| 680.0 | 1KHz | 2.25 | 0.28 |
| 820.0 | 1KHz | 2.55 | 0.24 |

*Rated Current: Value obtained when current flows and the temperature has risen 40°C or when DC current flows and the initial value of inductance has fallen by 10%, whichever is smaller.

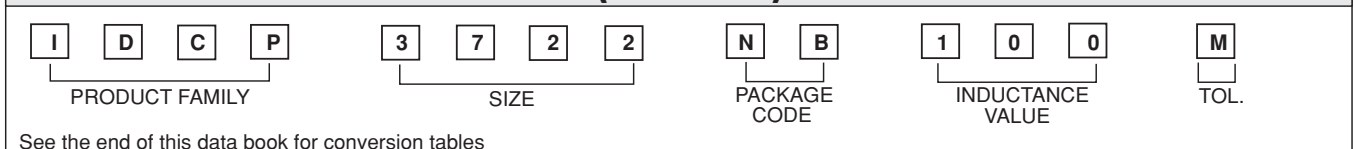
| DESCRIPTION | | |
|-------------|------------------|----------------------|
| IDCP-3722 | 10 μ H | \pm 20% |
| MODEL | INDUCTANCE VALUE | INDUCTANCE TOLERANCE |

DIMENSIONS in inches [millimeters]



| A | B | C |
|--------------------------------------|-------------------------------------|-------------------------------------|
| 0.394 \pm 0.02 [10.0 \pm 0.4] | 0.213 \pm 0.02 [5.4 \pm 0.4] | 0.355 \pm 0.02 [9.0 \pm 0.4] |
| D | E | F |
| 0.374 [9.5] | 0.148 [3.75] | 0.099 [2.5] |

SAP PART NUMBERING GUIDELINES (INTERNAL)



See the end of this data book for conversion tables