

**400MHz AGC Quadrature IF Modulator/Demodulator**



The HFA3766 is a highly integrated baseband converter for quadrature modulation applications. It features all the necessary blocks for baseband modulation and demodulation of I and Q signals. It has a two stage integrated AGC IF amplifier with 82dB of voltage gain and 76dB of gain control range. Baseband antialiasing is integrated into the design. Four filter bandwidths are programmable via a two bit digital control interface. In addition, these filters are continuously tunable over a  $\pm 20\%$  frequency range via one external resistor. For baseband modulation digital I and Q data are delivered to the transmit section. To achieve broadband operation, the Local Oscillator frequency input is required to be twice the desired frequency of modulation and demodulation. A selectable buffered divide by 2 LO output and a stable reference voltage are provided for convenience of the user. The device is housed in a thin 80 lead TQFP package well suited for PCMCIA board applications.

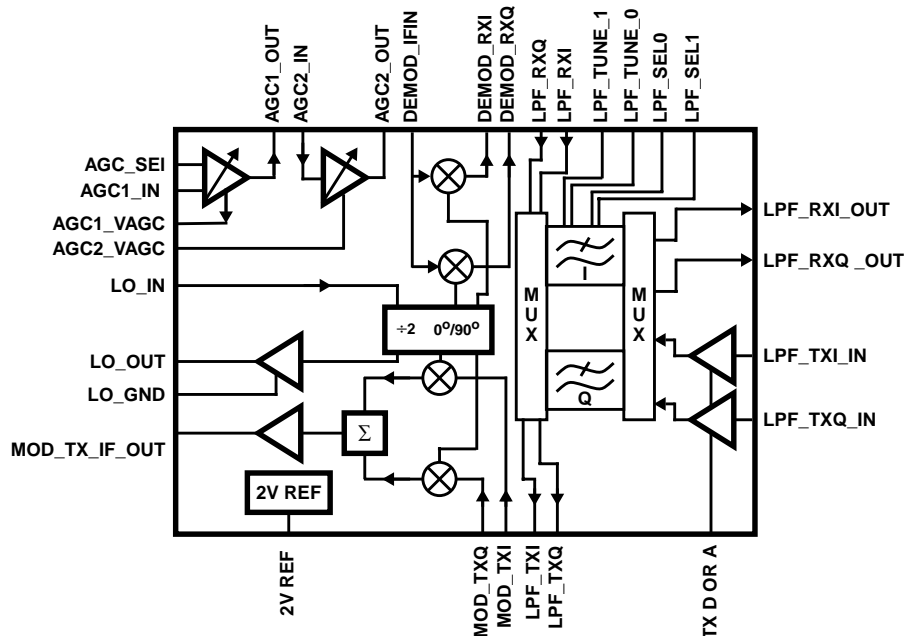
**Features**

- Integrates all IF Transmit and AGC Receive Functions
- Broad Frequency Range . . . . . 10MHz to 400MHz
- I/Q Amplitude and Phase Balance . . . . 0.2dB, 2 Degrees
- 5th Order Programmable Low Pass Filter . . . . . 2.2MHz to 17.6MHz
- 400MHz AGC Gain Strip . . . . . 82dB
- AGC Range . . . . . 75dB
- Low LO Drive Level . . . . . -15dBm
- Fast AGC Switching . . . . . 1 $\mu$ s
- Fast Transmit-Receive Switching . . . . . 1 $\mu$ s
- Power Management/Standby Mode
- Single Supply 3.0V Operation
- Wireless Local Loop
- Wireless Local Area Networks
- PCMCIA Wireless Transceivers
- ISM Systems
- CDMA Radios
- PCS/Wireless PBX

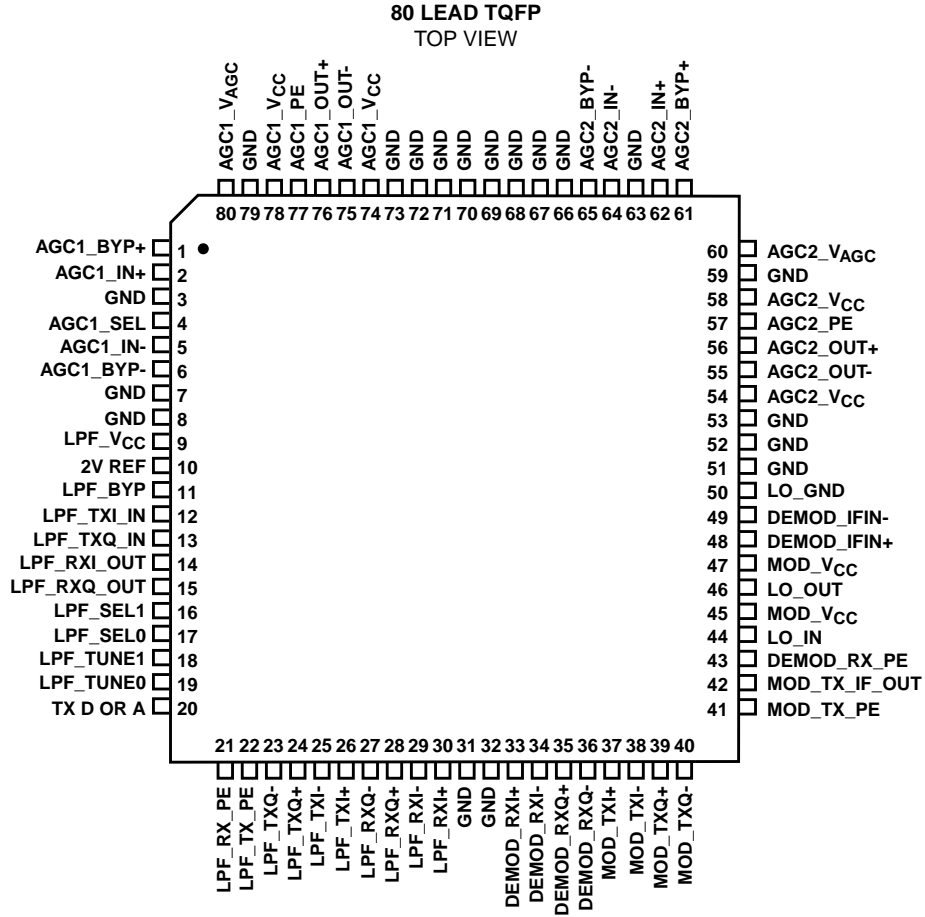
**Ordering Information**

| PART NUMBER | TEMP. RANGE (°C) | PACKAGE       | PKG. NO.  |
|-------------|------------------|---------------|-----------|
| HFA3766IN   | -40 to 85        | 80 Ld TQFP    | Q80.14x14 |
| HFA3766IN96 | -40 to 85        | Tape and Reel |           |

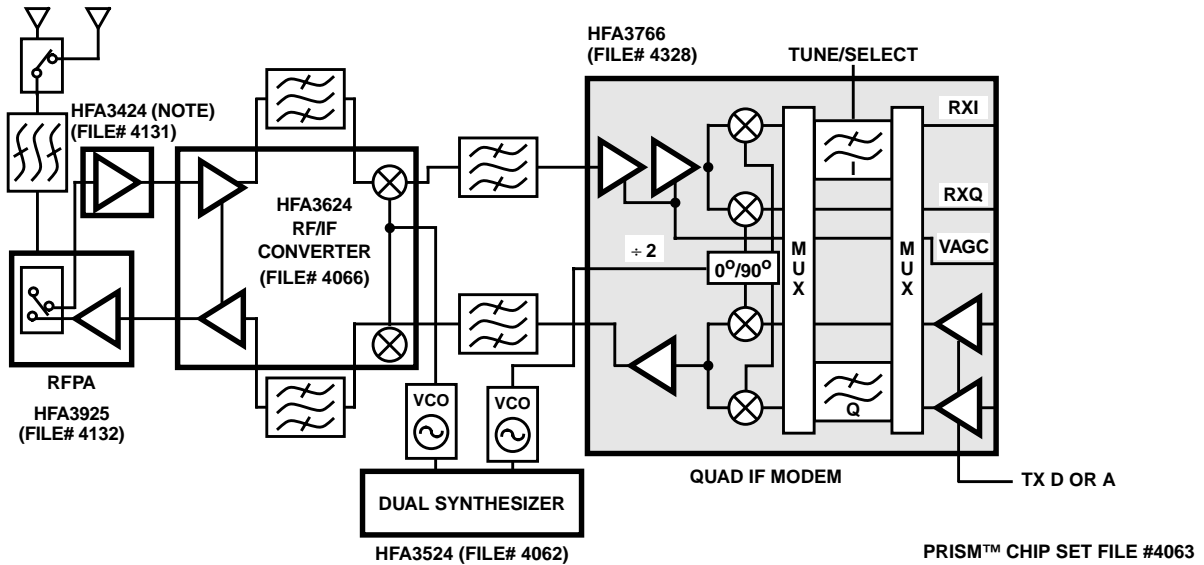
**Simplified**



Pinout



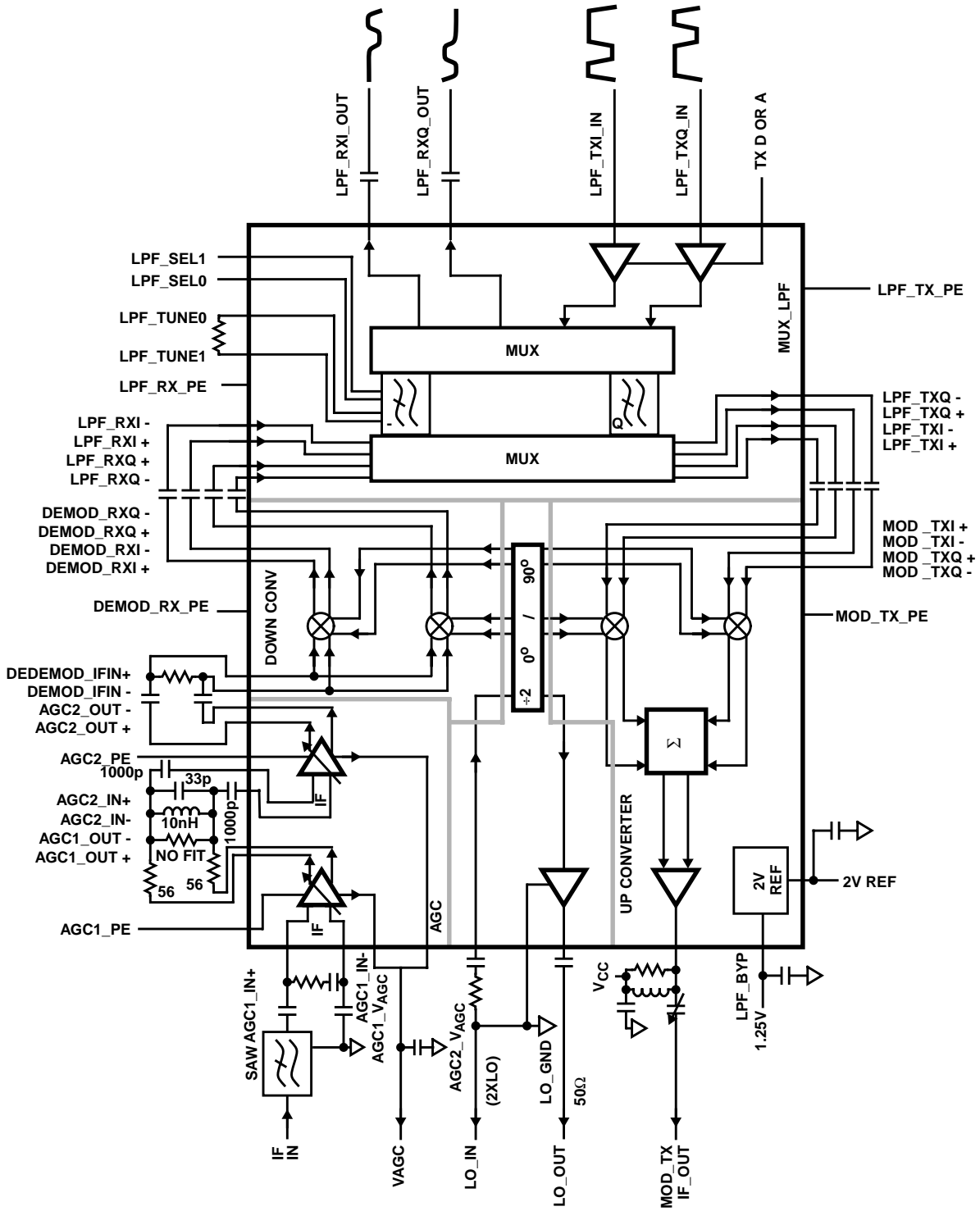
Typical Application Diagram



For additional information on the PRISM™ Full Duplex Radio Chip Set, call (407) 724-7800 to access Intersil's AnswerFAX system. When prompted, key in the four-digit document number (File #) of the data sheets you wish to receive.

The four-digit file numbers are shown in Typical Application Diagram, and correspond to the appropriate circuit.

Block Diagram



NOTE: V<sub>CC</sub>, GND and Bypass capacitors not shown.

**Pin Descriptions**

| PIN  | SYMBOL     | DESCRIPTION   |      |      |                  |      |      |                  |    |    |        |    |    |        |    |    |        |    |    |         |
|------|------------|---|------|------|------------------|------|------|------------------|----|----|--------|----|----|--------|----|----|--------|----|----|---------|
| 1    | AGC1_BYP+  | DC feedback pin for AGC amplifier 1. Requires good decoupling and minimum wire length to a solid signal ground.   |      |      |                  |      |      |                  |    |    |        |    |    |        |    |    |        |    |    |         |
| 2    | AGC1_IN+   | Non-inverting analog input of AGC amplifier 1.  |      |      |                  |      |      |                  |    |    |        |    |    |        |    |    |        |    |    |         |
| 3    | GND        | Ground. Connect to a solid ground plane.  |      |      |                  |      |      |                  |    |    |        |    |    |        |    |    |        |    |    |         |
| 4    | AGC_SEL    | This pin selects either differential or single ended input configuration for the first stage AGC. Ground this pin for differential input configuration. Leave it floating for single ended input configuration.   |      |      |                  |      |      |                  |    |    |        |    |    |        |    |    |        |    |    |         |
| 5    | AGC1_IN-   | Inverting analog input of AGC amplifier 1.  |      |      |                  |      |      |                  |    |    |        |    |    |        |    |    |        |    |    |         |
| 6    | AGC1_BYP-  | DC feedback pin for AGC amplifier 1. Requires good decoupling and minimum wire length to a solid signal ground.   |      |      |                  |      |      |                  |    |    |        |    |    |        |    |    |        |    |    |         |
| 7, 8 | GND        | Ground. Connect to a solid ground plane.  |      |      |                  |      |      |                  |    |    |        |    |    |        |    |    |        |    |    |         |
| 9    | LPF_VCC    | Supply pin for the Low pass filter. Use high quality decoupling capacitors right at the pin.  |      |      |                  |      |      |                  |    |    |        |    |    |        |    |    |        |    |    |         |
| 10   | 2V REF     | Stable 2V reference voltage output for external applications. Loading must be higher than 10kΩ. A bypass capacitor of at least 0.1μF is required.   |      |      |                  |      |      |                  |    |    |        |    |    |        |    |    |        |    |    |         |
| 11   | LPF_BYP    | Internal reference bypass pin. This is the common voltage ( $V_{CM}$ ) used for the LPF digital thresholds. Requires 0.1μF decoupling capacitor.  |      |      |                  |      |      |                  |    |    |        |    |    |        |    |    |        |    |    |         |
| 12   | LPF_TXI_IN | Low pass filter in phase (I) channel transmit input. Conventional or attenuated direct coupling is required for digital inputs.   |      |      |                  |      |      |                  |    |    |        |    |    |        |    |    |        |    |    |         |
| 13   | LPF_TXQ_IN | Low pass filter quadrature (Q) channel transmit input. Conventional or attenuated direct coupling is required for digital inputs  |      |      |                  |      |      |                  |    |    |        |    |    |        |    |    |        |    |    |         |
| 14   | LPF_RX_I   | Low pass filter in phase (I) channel receive output. Requires AC coupling.  |      |      |                  |      |      |                  |    |    |        |    |    |        |    |    |        |    |    |         |
| 15   | LPF_RX_Q   | Low pass filter quadrature (Q) channel receive output. Requires AC coupling.  |      |      |                  |      |      |                  |    |    |        |    |    |        |    |    |        |    |    |         |
| 16   | LPF_SEL1   | Digital control input pins. Selects four programmed cut off frequencies for the receive channel. Tuning speed from one cutoff to another is less than 1μs.  |      |      |                  |      |      |                  |    |    |        |    |    |        |    |    |        |    |    |         |
| 17   | LPF_SELO   |   |      |      |                  |      |      |                  |    |    |        |    |    |        |    |    |        |    |    |         |
|      |            | <table border="1"> <thead> <tr> <th>SEL1</th> <th>SELO</th> <th>CUTOFF FREQUENCY</th> <th>SEI1</th> <th>SEI0</th> <th>CUTOFF FREQUENCY</th> </tr> </thead> <tbody> <tr> <td>LO</td> <td>LO</td> <td>2.2MHz</td> <td>HI</td> <td>LO</td> <td>8.8MHz</td> </tr> <tr> <td>LO</td> <td>HI</td> <td>4.4MHz</td> <td>HI</td> <td>HI</td> <td>17.6MHz</td> </tr> </tbody> </table> | SEL1 | SELO | CUTOFF FREQUENCY | SEI1 | SEI0 | CUTOFF FREQUENCY | LO | LO | 2.2MHz | HI | LO | 8.8MHz | LO | HI | 4.4MHz | HI | HI | 17.6MHz |
| SEL1 | SELO       | CUTOFF FREQUENCY  | SEI1 | SEI0 | CUTOFF FREQUENCY |      |      |                  |    |    |        |    |    |        |    |    |        |    |    |         |
| LO   | LO         | 2.2MHz  | HI   | LO   | 8.8MHz           |      |      |                  |    |    |        |    |    |        |    |    |        |    |    |         |
| LO   | HI         | 4.4MHz  | HI   | HI   | 17.6MHz          |      |      |                  |    |    |        |    |    |        |    |    |        |    |    |         |
| 18   | LPF_TUNE1  | These two pins are used to fine tune the Low pass filter cutoff frequency. A resistor connected between the two pins ( $R_{TUNE}$ ) will fine tune both transmit and receive filters. Refer to the tuning equation in the LPF AC specifications.  |      |      |                  |      |      |                  |    |    |        |    |    |        |    |    |        |    |    |         |
| 19   | LPF_TUNE0  |   |      |      |                  |      |      |                  |    |    |        |    |    |        |    |    |        |    |    |         |
| 20   | TXD or TXA | Selects between digital or analog signals. Tie to GND for digital. Tie to $V_{CC}$ for analog.  |      |      |                  |      |      |                  |    |    |        |    |    |        |    |    |        |    |    |         |
| 21   | LPF_RX_PE  | Digital input control pin to enable the LPF receive mode of operation. Enable logic level is High.  |      |      |                  |      |      |                  |    |    |        |    |    |        |    |    |        |    |    |         |
| 22   | LPF_TX_PE  | Digital input control pin to enable the LPF transmit mode of operation. Enable logic level is High.   |      |      |                  |      |      |                  |    |    |        |    |    |        |    |    |        |    |    |         |
| 23   | LPF_TXQ-   | Negative output of the transmit Low pass filter, quadrature channel. AC coupling is required. Normally connects to the inverting input of the quadrature Modulator (Mod_TXQ-), pin 40.  |      |      |                  |      |      |                  |    |    |        |    |    |        |    |    |        |    |    |         |
| 24   | LPF_TXQ+   | Positive output of the transmit Low pass filter, quadrature channel. AC coupling is required. Normally connects to the non inverting input of the quadrature Modulator (Mod_TXQ+), pin 39.  |      |      |                  |      |      |                  |    |    |        |    |    |        |    |    |        |    |    |         |
| 25   | LPF_TXI-   | Negative output of the transmit Low pass filter, in phase channel. AC coupling is required. Normally connects to the inverting input of the in phase Modulator (Mod_TXI-), pin 38.  |      |      |                  |      |      |                  |    |    |        |    |    |        |    |    |        |    |    |         |
| 26   | LPF_TXI+   | Positive output of the transmit Low pass filter, in phase channel. AC coupling is required. Normally connects to the non inverting input of the in phase Modulator (Mod_TXI+), pin 37.  |      |      |                  |      |      |                  |    |    |        |    |    |        |    |    |        |    |    |         |
| 27   | LPF_RXQ-   | Low pass filter inverting input of the receive quadrature channel. AC coupling is required. This input is normally coupled to the negative output of the quadrature demodulator (Mod_RXQ-), pin 36.   |      |      |                  |      |      |                  |    |    |        |    |    |        |    |    |        |    |    |         |

**Pin Descriptions** (Continued)

| PIN        | SYMBOL               | DESCRIPTION   |
|------------|----------------------|---|
| 28         | LPF_RXQ+             | Low pass filter non inverting input of the receive quadrature channel. AC coupling is required. This input is normally coupled to the positive output of the quadrature demodulator (Mod_RXQ+), pin 35.   |
| 29         | LPF_RXI-             | Low pass filter inverting input of the receive in phase channel. AC coupling is required. This input is normally coupled to the negative output of the in phase demodulator (Mod_RXI-), pin 34.   |
| 30         | LPF_RXI+             | Low pass filter non inverting input of the receive in phase channel. AC coupling is required. This input is normally coupled to the positive output of the in phase demodulator (DEMODO_RXI-), pin 33.  |
| 31, 32     | GND                  | Ground. Connect to a solid ground plane.  |
| 33         | DEMODO_RXI+          | In phase demodulator positive output. AC coupling is required. Normally connects to the non inverting input of the Low pass filter (LPF_RXI+), pin 30.  |
| 34         | DEMODO_RXI-          | In phase demodulator negative output. AC coupling is required. Normally connects to the inverting input of the Low pass filter (LPF_RXI-), pin 29.  |
| 35         | DEMODO_RXQ+          | Quadrature demodulator positive output. AC coupling is required. Normally connects to the non inverting input of the Low pass filter (LPF_RXQ+), pin 28.  |
| 36         | DEMODO_RXQ-          | Quadrature demodulator negative output. AC coupling is required. Normally connects to the inverting input of the Low pass filter (LPF_RXQ+), pin 27.  |
| 37         | MOD_TXI+             | In phase modulator non inverting input. AC coupling is required. This input is normally coupled to the Low pass filter positive output (LPF_TXI+), pin 26.  |
| 38         | MOD_TXI-             | In phase modulator inverting input. AC coupling is required. This input is normally coupled to the Low pass filter negative output (LPF_TXI-), pin 25.  |
| 39         | MOD_TXQ+             | Quadrature modulator non inverting input. AC coupling is required. This input is normally coupled to the Low pass filter positive output (LPF_TXQ+), pin 24.  |
| 40         | MOD_TXQ-             | Quadrature modulator inverting input. AC coupling is required. This input is normally coupled to the Low pass filter negative output (LPF_TXQ-), pin 23.  |
| 41         | MOD_TX_PE            | Digital input control to enable the Modulator section. Enable logic level is High for transmit.   |
| 42         | MOD_TX_IF_OUT        | Modulator open collector output, single ended. Termination resistor to V <sub>CC</sub> with a typical value of 316Ω.  |
| 43         | DEMODO_RX_PE         | Digital input control to enable the demodulator section. Enable logic level is High.  |
| 44         | LO_In (2XLO)         | Single ended local oscillator current input. Frequency of input signal must be twice the required demodulator LO frequency. Input current is optimum at 200μA <sub>RMS</sub> . Input matching networks and filters can be designed for a wide range of power and impedances at this port. Typical input impedance is 130Ω. This pin requires AC coupling.<br>NOTE: High second harmonic content input waveforms may degrade I/Q phase accuracy. |
| 45         | MOD_V <sub>CC</sub>  | Supply pin for the Demodulator. Use high quality decoupling capacitors right at the pin.  |
| 46         | LO_Out               | Divide by 2 buffered output reference from “DEMODO_LO_in” input. Used for external applications where the demodulating carrier reference frequency is required. 50Ω single end driving capability. This output can be disabled by use of pin 50. AC coupling is required.   |
| 47         | MOD_V <sub>CC</sub>  | Supply pin for the Demodulator. Use high quality decoupling capacitors right at the pin.  |
| 48         | DEMODO_IFIN+         | Demodulator, non-inverting input. Requires AC coupling.   |
| 49         | DEMODO_IFIN-         | Demodulator, inverting input. Requires AC coupling.   |
| 50         | LO_GND               | When grounded, this pin enables the LO buffer (DEMODO_LO_Out). When open (NC) it disables the LO buffer.  |
| 51, 52, 53 | GND                  | Ground. Connect to a solid ground plane.  |
| 54         | AGC2_V <sub>CC</sub> | Supply pin for the AGC amplifier 2. Use high quality decoupling capacitors right at the pin.  |

**Pin Descriptions** (Continued)

| PIN     | SYMBOL    | DESCRIPTION   |
|---------|-----------|---|
| 55      | AGC2_OUT- | Positive output of AGC amplifier 2. Requires AC coupling.   |
| 56      | AGC2_OUT+ | Negative output of AGC amplifier 2. Requires AC coupling.   |
| 57      | AGC2_PE   | Digital input control to enable the AGC amplifier 2. Enable logic level is High.                                |
| 58      | AGC2_VCC  | Supply pin for the AGC amplifier 2. Use high quality decoupling capacitors right at the pin.                    |
| 59      | GND       | Ground. Connect to a solid ground plane.  |
| 60      | AGC2_VAGC | AGC amplifier 2, AGC control input.   |
| 61      | AGC2_BYP+ | DC feedback pin for AGC amplifier 2. Requires good decoupling and minimum wire length to a solid signal ground. |
| 62      | AGC2_IN+  | Non-inverting analog input of AGC amplifier 2.  |
| 63      | GND       | Ground. Connect to a solid ground plane.  |
| 64      | AGC2_IN-  | Inverting input of AGC amplifier 2.   |
| 65      | AGC2_BYP- | DC feedback pin for AGC amplifier 2. Requires good decoupling and minimum wire length to a solid signal ground. |
| 66 - 73 | GND       | Ground. Connect to a solid ground plane.  |
| 74      | AGC1_VCC  | AGC amplifier 1 supply pin. Use high quality decoupling capacitors right at the pin.                            |
| 75      | AGC1_OUT- | Negative output of AGC amplifier 1. Requires AC coupling.   |
| 76      | AGC1_OUT+ | Positive output of AGC amplifier 1. Requires AC coupling.   |
| 77      | AGC1_PE   | Digital input control to enable the AGC amplifier 1. Enable logic level is High.                                |
| 78      | AGC1_VCC  | AGC amplifier 1 supply pin. Use high quality decoupling capacitors right at the pin.                            |
| 79      | GND       | Ground. Connect to a solid ground plane.  |
| 80      | AGC1_VAGC | AGC amplifier 1, AGC control input.   |

**Absolute Maximum Ratings**

Supply Voltage . . . . . -0.3V to +6.0V  
 Voltage on Any Other Pin . . . . . -0.3V to V<sub>CC</sub> +0.3V

**Operating Conditions**

Supply Voltage . . . . . 5.5V  
 Temperature Range . . . . . -40°C ≤ T<sub>A</sub> ≤ 85°C

**Thermal Information**

Thermal Resistance (Typical, Note 1) θ<sub>JA</sub> (°C/W)  
 TQFP Package . . . . . 75  
 Package Power Dissipation at 70°C  
 TQFP Package . . . . . 1.1W  
 Maximum Junction Temperature (Plastic Package) . . . . . 150°C  
 Maximum Storage Temperature Range . . . . . -65°C ≤ T<sub>A</sub> ≤ 150°C  
 Maximum Lead Temperature (Soldering 10s) . . . . . 300°C  
 (TQFP - Lead Tips Only)

*CAUTION: Stresses above those listed in "Absolute Maximum Ratings" may cause permanent damage to the device. This is a stress only rating and operation of the device at these or any other conditions above those indicated in the operational sections of this specification is not implied.*

**NOTE:**

1. θ<sub>JA</sub> is measured with the component mounted on an evaluation PC board in free air.

**Cascaded DC Electrical Specifications** V<sub>CC</sub> = 4.5V to 5.5V, Unless Otherwise Specified

| PARAMETER   | (NOTE 2)<br>TEST LEVEL | TEMP (°C) | MIN  | TYP | MAX             | UNITS |
|---|------------------------|-----------|------|-----|-----------------|-------|
| Total Supply Current, at 5.5V   | A                      | Full      | -    | 80  | 112             | mA    |
| Shutdown (Standby) Current at 5.5V  | A                      | Full      | -    | 0.8 | 1.5             | mA    |
| All Digital Inputs V <sub>IH</sub> (TTL Threshold for All V <sub>CC</sub> )                     | A                      | Full      | 2.0  | -   | V <sub>CC</sub> | V     |
| All Digital Inputs V <sub>IL</sub> (TTL Threshold for All V <sub>CC</sub> )                     | A                      | Full      | -0.2 | -   | 0.8             | V     |
| High Level Input Current at 5.5V V <sub>CC</sub> for pins 16 and 21 with V <sub>IN</sub> = 2.4V | A                      | Full      | -200 | -65 | 0               | μA    |
| High Level Input Current at 5.5V V <sub>CC</sub> for pins 16 and 21 with V <sub>IN</sub> = 4.0V | A                      | Full      | -150 | -30 | 0               | μA    |
| Low Level Input Current at 5.5V V <sub>CC</sub> for pins 16 and 21 with V <sub>IN</sub> = 0.8V  | A                      | Full      | -300 | -95 | 0               | μA    |
| High Level Input Current at 5.5V V <sub>CC</sub> for pin 17, with V <sub>IN</sub> = 2.4V        | A                      | Full      | 0    | 50  | 200             | μA    |
| High Level Input Current at 5.5V V <sub>CC</sub> for pin 17, with V <sub>IN</sub> = 4.0V        | A                      | Full      | 0    | 80  | 300             | μA    |
| Low Level Input Current at 5.5V V <sub>CC</sub> for pin 17, with V <sub>IN</sub> = 0.8V         | A                      | Full      | 0    | 15  | 150             | μA    |
| High Level Input Current at 5.5V V <sub>CC</sub> for pin 43 with V <sub>IN</sub> = 2.4V         | A                      | Full      | -20  | 1   | 20              | μA    |
| High Level Input Current at 5.5V V <sub>CC</sub> for pin 43 with V <sub>IN</sub> = 4.0V         | A                      | Full      | 0    | 110 | 300             | μA    |
| Low Level Input Current at 5.5V V <sub>CC</sub> for pin 43 with V <sub>IN</sub> = 0.8V          | A                      | Full      | -20  | 0.1 | 20              | μA    |
| V <sub>AGC</sub> Input for Max Gain (Note 5)  | A                      | 25        | 0.8  | 1.1 | -               | V     |
| V <sub>AGC</sub> Input for Min Gain (Note 5)  | A                      | 25        | -    | 2.1 | 2.2             | V     |
| V <sub>AGC</sub> Control Input Impedance (Per Stage) (Note 3)                                   | C                      | 25        | -    | 410 | -               | Ω     |
| V <sub>AGC</sub> Control Input Current (Per Stage) at Max Control Voltage                       | A                      | 25        | -    | 0.5 | 2.0             | mA    |
| Full Range AGC Switching Large Signal Recovery (Note 4)   | B                      | 25        | -    | 400 | -               | ns    |
| Full Range AGC Switching 1dB Settling Time (Note 4)   | B                      | 25        | -    | 1.5 | -               | μs    |
| Power Down/Up Switching Speed (Note 4)  | B                      | 25        | -    | 2   | -               | μs    |
| Reference Voltage   | A                      | Full      | 1.85 | 2.0 | 2.15            | V     |
| Reference Voltage Variation Over Temperature  | B                      | 25        | -    | 800 | -               | μV/°C |
| Reference Voltage Variation Over Supply Voltage   | B                      | 25        | -    | 1.6 | -               | mV/V  |
| Reference Voltage Minimum Load Resistance   | C                      | 25        | 10   | -   | -               | kΩ    |

**NOTES:**

2. A = Production Tested, B = Based on Characterization, C = By Design.
3. 1.2V reference source in series with 410Ω.
4. Determined by external components.
5. Measured at probe.

**Cascaded AC Electrical Specifications, Demodulator Chain Performance**  $V_{CC} = 3.0V$ , LO = 560 MHz, and IF = 280 MHz, Unless Otherwise Specified

| PARAMETER  | (NOTE 6)<br>TEST LEVEL | TEMP. (°C) | MIN  | TYP | MAX  | UNITS             |
|--|------------------------|------------|------|-----|------|-------------------|
| <b>CASCADED CHARACTERISTICS</b>  |                        |            |      |     |      |                   |
| Cascaded Power Gain  | TBD                    | TBD        | TBD  | TBD | TBD  | TBD               |
| Cascaded OIP3  | TBD                    | TBD        | TBD  | TBD | TBD  | TBD               |
| Cascaded Noise Figure  |                        | TBD        | TBD  | TBD | TBD  | TBD               |
| Cascaded Output 1dB Compression  | TBD                    | TBD        | TBD  | TBD | TBD  | TBD               |
|  | TBD                    | TBD        | TBD  | TBD | TBD  | TBD               |
| IF Demodulator I and Q Outputs Voltage Swing<br>(IF input Range of -70dBm to -30dBm)   | A                      | Full       | -    | 250 | -    | mV <sub>P-P</sub> |
| IF Demodulator I and Q Channels Output Drive Capability<br>( $Z_{OUT} = 50\Omega$ ) $C_{MAX} = 10pF$ , $V_{OUT} = 500mV_{P-P}$ | C                      | 25         | 1.2  | 2   | -    | k $\Omega$        |
| IF Demodulator I/Q Amplitude Balance, IFin = -50dBm at 50 $\Omega$   | A                      | Full       | -1.0 | 0   | +1.0 | dB                |
| IF Demodulator I/Q Phase Balance, IFin = -50dBm at 50 $\Omega$   | A                      | Full       | -4.0 | 0   | +4.0 | Degrees           |
| IF Demodulator Output, P1dB  | TBD                    | TBD        | TBD  | TBD | TBD  | mV                |

## NOTES:

- A = Production Tested, B = Based on Characterization, C = By Design.
- Determined by external components.

**AC Electrical Specifications, Modulator Performance**  $V_{CC} = 3.0V$ , Unless Otherwise Specified

| PARAMETER  | SYMBOL  | (NOTE 8)<br>TEST LEVEL | TEMP<br>(°C) | MIN  | TYP  | MAX  | UNITS   |
|--|---------|------------------------|--------------|------|------|------|---------|
| IF Modulator I/Q Amplitude Balance (Note 9)                          | Mabal   | B                      | 25           | -1.0 | 0    | +1.0 | dB      |
| IF Modulator I/Q Phase Balance (Note 9)                              | Mphbal  | B                      | 25           | -4.0 | 0    | +4.0 | Degrees |
| IF Modulator SSB Output Power (Note 10)                              | Mssbpw  | A                      | Full         | -12  | -7   | -4   | dBm     |
| IF Modulator Side Band Suppression (Note 10)                         | Mssbss  | A                      | Full         | 26   | 33   | -    | dBc     |
| IF Mod Carrier Suppression (LO Buffer Enabled) (Note 10)             | Mssbcs  | A                      | Full         | 28   | 30   | -    | dBc     |
| IF Mod Carrier Suppression (LO Buffer Disabled) (Note 10)            | Mssbcs1 | B                      | 25           | 28   | 36   | -    | dBc     |
| IF Modulator Output Noise Floor (Out of Band)                        | Moutn0  | B                      | 25           | -    | -132 | -    | dBm/Hz  |
| IF Modulator I/Q 3dB Cutoff SEL0/1 = 2.2MHz (Note 11)                | Msel1f  | A                      | Full         | 1.8  | 2.2  | 2.5  | MHz     |
| IF Modulator I/Q 3dB Cutoff SEL0/1 = 4.4MHz (Note 11)                | Msel2f  | A                      | Full         | 3.6  | 4.4  | 5.0  | MHz     |
| IF Modulator I/Q 3dB Cutoff SEL0/1 = 8.8MHz (Note 11)                | Msel3f  | A                      | Full         | 7.3  | 8.8  | 9.8  | MHz     |
| IF Modulator I/Q 3dB Cutoff SEL0/1 = 17.6MHz (Note 11)               | Msel4f  | A                      | Full         | 14.6 | 17.6 | 19.6 | MHz     |
| IF Modulator Spread Spectrum Output Power (Note 12)                  | Mdsspw  | B                      | 25           | -12  | -7   | -4   | dBm     |
| IF Modulator Side Lobe to Main Lobe Ratio, LPF = 8.8MHz<br>(Note 12) | Mdsssl  | A                      | Full         | 32   | 35   | -    | dB      |

## NOTES:

- A = Production Tested, B = Based on Characterization, C = By Design.
- Data is characterized by DC levels applied to MOD TXI and Q pins for 4 quadrants with LO output as reference or indirectly by the SSB characteristics.
- Power at the fundamental SSB frequency of two 6MHz, 90 degrees apart square waves applied at TXI and TXQ inputs.  $V_{IH} = 3.0V$ ,  $V_{IL} = 0.5V$ . LPF selected to 8.8MHz cutoff.
- Cutoff frequencies are specified for both modulator and demodulator as the filter bank is shared and multiplexed for Transmit and Receive. Data is characterized by observing the attenuation of the fundamental of a square wave digital input swept at each channel separately. The IF output is down converted by an external wideband mixer with a coherent LO input for each of quadrature signals separately.
- Typical ratio characterization with  $R_{TUNE}$  set to 7.7MHz, LPF selected for 8.8MHz. TXI and TXQ Digital Inputs at two independent and aligned 11M chip/s,  $2^{23}-1$  sequence code signals.



**AC Electrical Specifications, Cascaded AGC Stages Performance**  $V_{CC} = 3.0V$

| PARAMETER   | (NOTE 13)<br>TEST LEVEL | TEMP. (°C) | MIN | TYP | MAX | UNITS             |
|---|-------------------------|------------|-----|-----|-----|-------------------|
| Frequency Range (Note 14)   | B                       | 25         | 10  | -   | 400 | MHz               |
| Voltage Gain at Max Gain (Note 15)<br>( $V_{AGC} = 0.8V$ , $R_S = 50\Omega$ , $R_L = 500\Omega$ ) | B                       | 25         | 78  | 82  | -   | dB                |
| Voltage Gain at Min Gain ( $V_{AGC} = 2.1V$ , $R_S = 50\Omega$ , $R_L = 500\Omega$ )              | B                       | 25         | -   | 7   | -   | dB                |
| Noise Figure at Max Gain, $R_S = 50\Omega$  | B                       | 25         | -   | 10  | 11  | dB                |
| Output P 1dB at Min Gain, $R_S = 50\Omega$ , dBm into $R_L = 500\Omega$                           | B                       | 25         | -16 | -13 | -   | dBm               |
| Input P 1dB at Min Gain, $R_S = 50\Omega$   | B                       | 25         | -13 | -10 | -   | dBm               |
| Output IP3 at Min Gain, dBm into $R_L = 500\Omega$  | B                       | 25         | -5  | -2  | -   | dBm               |
| Input IP3 at Min Gain, $R_S = 50\Omega$   | B                       | 25         | -2  | 1   | -   | dBm               |
| Group Delay, 20MHz Bandwidth  | B                       | 25         | -   | 2.0 | -   | ns <sub>p-p</sub> |
| Single Ended Input Impedance, AGC_SEL = floating  | B                       | 25         | -   | 50  | -   | $\Omega$          |
| Differential Input Impedance, AGC_SEL = ground  | B                       | 25         | -   | 100 | -   | $\Omega$          |
| Differential Output Impedance   | B                       | 25         | -   | 80  | -   | $\Omega$          |

NOTES:

- 13. A = Production Tested, B = Based on Characterization, C = By Design.
- 14. Determined by external components.
- 15. Measured at probe.

**AC Electrical Specifications, I/Q Down Converter Individual Performance**  $V_{CC} = 3.0V$

| PARAMETER  | (NOTE 16)<br>TEST LEVEL | TEMP. (°C) | MIN  | TYP  | MAX | UNITS             |
|--|-------------------------|------------|------|------|-----|-------------------|
| Quadrature Demodulator Input Frequency Range   | B                       | 25         | 10   | -    | 400 | MHz               |
| Demodulator Baseband I/Q Frequency Range   | C                       | 25         | -    | -    | 30  | MHz               |
| Demodulator Voltage Gain at Frequency Range  | B                       | 25         | 6    | 8    | 9   | dB                |
| Demodulator Differential Input Resistance  | C                       | 25         | -    | 1    | -   | k $\Omega$        |
| Demodulator Differential Input Capacitance   | C                       | 25         | -    | 0.5  | -   | pF                |
| Demodulator Differential Output Level at 4K Load,<br>(Output Controlled By AGC Action) | B                       | 25         | 400  | 500  | 560 | mV <sub>p-p</sub> |
| Demodulator Amplitude Balance  | B                       | 25         | -1.0 | -    | 1.0 | dB                |
| Demodulator Phase Balance at 286MHz  | B                       | 25         | -4   | -    | 4   | Degrees           |
| Demodulator Phase Balance at 400MHz  | B                       | 25         | -4   | -    | 4   | Degrees           |
| Demodulator Output 1dB Compression Voltage at 4K Load                                  | B                       | 25         | -    | 1.25 | -   | V <sub>p-p</sub>  |

NOTE:

- 16. A = Production Tested, B = Based on Characterization, C = By Design.

**AC Electrical Specifications, LO Individual Performance**  $V_{CC} = 3.0V$

| PARAMETER                                    | (NOTE 17)<br>TEST LEVEL | TEMP. (°C) | MIN | TYP | MAX | UNITS             |
|--|-------------------------|------------|-----|-----|-----|-------------------|
| 2XLO Input Frequency Range (2 X Input Range) | B                       | 25         | 20  | -   | 800 | MHz               |
| 2XLO Input Current Range                     | C                       | 25         | 50  | 200 | 300 | $\mu A_{RMS}$     |
| 2XLO Input Impedance                         | C                       | 25         | -   | 130 | -   | $\Omega$          |
| Buffered LO Output Voltage, Single Ended     | C                       | 25         | 50  | 100 | -   | mV <sub>p-p</sub> |

## HFA3766

### AC Electrical Specifications, LO Individual Performance $V_{CC} = 3.0V$ (Continued)

| PARAMETER   | (NOTE 17)<br>TEST LEVEL | TEMP. (°C) | MIN  | TYP  | MAX   | UNITS            |
|---|-------------------------|------------|------|------|-------|------------------|
| Buffered LO Output Impedance  | C                       | 25         | -    | 50   | -     | $\Omega$         |
| Quadrature IF Modulator Output Frequency Range                              | B                       | 25         | 10   | -    | 400   | MHz              |
| IF Modulator I/Q Input Frequency Range                                      | C                       | 25         | -    | -    | 30    | MHz              |
| IF Modulator Differential I/Q Max Input Voltage                             | C                       | 25         | -    | 2.25 | -     | V <sub>P-P</sub> |
| IF Modulator Differential I/Q Input Impedance                               | C                       | 25         | -    | 4    | -     | k $\Omega$       |
| IF Modulator Differential Input Capacitance                                 | C                       | 25         | -    | 0.5  | -     | pF               |
| IF Modulator I/Q Amplitude Balance  | A                       | 25         | -0.5 | -    | 0.5   | dB               |
| IF Modulator I/Q Phase Balance at 200MHz                                    | A                       | 25         | -2   | -    | 2     | Degrees          |
| IF Modulator I/Q Phase Balance at 400MHz                                    | B                       | 25         | -4   | -    | 4     | Degrees          |
| IF Modulator Output at SSB Into 50 $\Omega$ , I and Q, 500mV <sub>P-P</sub> | A                       | 25         | -22  | -    | -10.0 | dBm              |
| IF Modulator Carrier Suppression (LO Buffer Enabled)                        | A                       | 25         | 28   | 30   | -     | dBc              |
| IF Modulator Carrier Suppression (LO Buffer Disabled)                       | A                       | 25         | 28   | 36   | -     | dBc              |
| IF Modulator SSB Sideband Suppression at 200MHz                             | A                       | 25         | 28   | -    | -     | dBc              |
| IF Modulator SSB Sideband Suppression at 400MHz                             | B                       | 25         | 26   | -    | -     | dBc              |
| IF Output Level Compression Point   | C                       | 25         | -    | 1.0  | -     | V <sub>P-P</sub> |
| IF Modulator Intermodulation Suppression                                    | B                       | 25         | 26   | -    | -     | dBc              |

NOTE:

17. A = Production Tested, B = Based on Characterization, C = By Design.

### AC Electrical Specifications, RX 5TH Order LPF Cascaded Performance $V_{CC} = 3.0V$

| PARAMETER   | (NOTE 18)<br>TEST LEVEL | TEMP. (°C) | MIN  | TYP   | MAX  | UNITS             |
|---|-------------------------|------------|------|-------|------|-------------------|
| RX LPF 3dB Bandwidth, Sel0 = 0, Sel1 = 0  | D                       | 25         | 1.8  | 2.20  | 2.4  | MHz               |
| RX LPF 3dB Bandwidth, Sel0 = 1, Sel1 = 0  | D                       | 25         | 3.6  | 4.40  | 4.8  | MHz               |
| RX LPF 3dB Bandwidth, Sel0 = 0, Sel1 = 1  | D                       | 25         | 7.4  | 8.80  | 9.6  | MHz               |
| RX LPF 3dB Bandwidth, Sel0 = 1, Sel1 = 1  | D                       | 25         | 14.8 | 17.60 | 19.2 | MHz               |
| RX LPF Sel0, Sel1 Tuning Speed  | B                       | 25         | -    | -     | 1    | $\mu$ s           |
| RX LPF 3dB Bandwidth Tuning   | D                       | 25         | -20  | -     | +20  | %                 |
| LPF Tune Nominal Resistance   | B                       | 25         | -    | 787   | -    | $\Omega$          |
| RX LPF Voltage Gain   | D                       | 25         | -1.0 | 0     | 1.0  | dB                |
| RX LPF DC Output Voltage  | A                       | 25         | -    | 1.3   | -    | V                 |
| TX/RX Offset Voltage  | A                       | 25         | TBD  | 0     | TBD  | V                 |
| RX LPF Single Ended Output Voltage Swing at 2k $\Omega$ Load (Controlled By AGC Action) | B                       | 25         | -    | -     | 550  | mV <sub>P-P</sub> |
| RX LPF Differential Input Impedance   | C                       | 25         | 4    | 5     | -    | k $\Omega$        |
| RX I/Q Channel Amplitude Match  | C                       | Full       | -1   | -     | 1    | dB                |
| RX I/Q Channel Phase Match  | C                       | Full       | -4   | -     | 4    | Degrees           |
| RX LPF Total Harmonic Distortion  | A                       | 25         | -    | 3     | 6    | %                 |
| LPF Output Impedance, Single-Ended  | C                       | 25         | -    | 50    | -    | $\Omega$          |

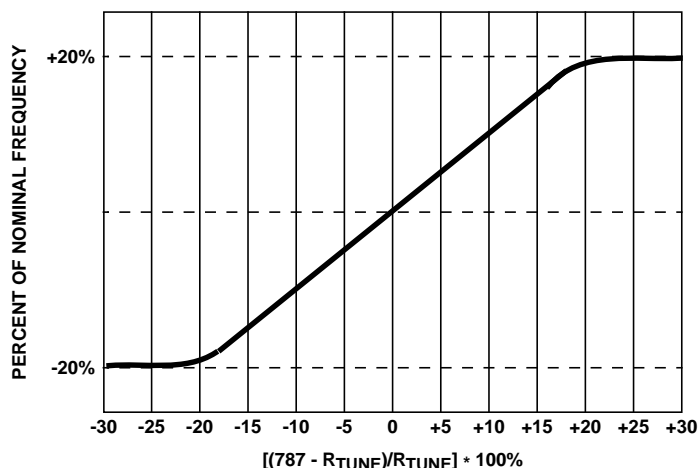
NOTE:

18. A = Production Tested, B = Based on Characterization, C = By Design D = Measured at Probe.

TABLE 1. LOW PASS FILTER PROGRAMING AND TUNING INFORMATION

| MODE | LPF SEL1 | LPF SEL0 | f <sub>3dB</sub><br>(NOMINAL R <sub>TUNE</sub> ) |
|------|----------|----------|--|
| BW0  | 0        | 0        | 2.2MHz   |
| BW1  | 0        | 1        | 4.4MHz   |
| BW2  | 1        | 0        | 8.8MHz   |
| BW3  | 1        | 1        | 17.6MHz  |

$$f_{TUNED}^{3dB} = \frac{f_{3dB}^{NOMINAL} * 787}{R_{TUNE}}$$



| FREQUENCY | R <sub>TUNE</sub> |
|-----------|-------------------|
| 20% Low   | 984Ω              |
| Nominal   | 787Ω              |
| 20% High  | 656Ω              |

FIGURE 1. TYPICAL f<sub>3dB</sub> vs R<sub>TUNE</sub>

All Intersil semiconductor products are manufactured, assembled and tested under **ISO9000** quality systems certification.

*Intersil semiconductor products are sold by description only. Intersil Corporation reserves the right to make changes in circuit design and/or specifications at any time without notice. Accordingly, the reader is cautioned to verify that data sheets are current before placing orders. Information furnished by Intersil is believed to be accurate and reliable. However, no responsibility is assumed by Intersil or its subsidiaries for its use; nor for any infringements of patents or other rights of third parties which may result from its use. No license is granted by implication or otherwise under any patent or patent rights of Intersil or its subsidiaries.*

For information regarding Intersil Corporation and its products, see web site [www.intersil.com](http://www.intersil.com)

### Sales Office Headquarters

#### NORTH AMERICA

Intersil Corporation  
P. O. Box 883, Mail Stop 53-204  
Melbourne, FL 32902  
TEL: (407) 724-7000  
FAX: (407) 724-7240

#### EUROPE

Intersil SA  
Mercure Center  
100, Rue de la Fusee  
1130 Brussels, Belgium  
TEL: (32) 2.724.2111  
FAX: (32) 2.724.22.05

#### ASIA

Intersil (Taiwan) Ltd.  
7F-6, No. 101 Fu Hsing North Road  
Taipei, Taiwan  
Republic of China  
TEL: (886) 2 2716 9310  
FAX: (886) 2 2715 3029