

---

# HM5425161B Series

# HM5425801B Series

# HM5425401B Series

256M SSTL\_2 interface DDR SDRAM  
143 MHz/133 MHz/125 MHz/100 MHz  
4-Mword × 16-bit × 4-bank/8-Mword × 8-bit × 4-bank/  
16-Mword × 4-bit × 4-bank

## ***ELPIDA***

E0086H20 (Ver. 2.0)  
Jan. 23, 2002

---

### **Description**

The HM5425161B, the HM5425801B and the HM5425401B are the Double Data Rate (DDR) SDRAM devices. Read and write operations are performed at the cross points of the CLK and the  $\overline{\text{CLK}}$ . This high speed data transfer is realized by the 2-bit prefetch pipelined architecture. Data strobe (DQS) both for read and write are available for high speed and reliable data bus design. By setting extended mode resistor, the on-chip Delay Locked Loop (DLL) can be set enable or disable.

### **Features**

- 2.5 V power supply
- SSTL-2 interface for all inputs and outputs
- Clock frequency: 143 MHz/133 MHz/125 MHz/100 MHz (max)
- Data inputs, outputs, and DM are synchronized with DQS
- 4 banks can operate simultaneously and independently
- Burst read/write operation
- Programmable burst length: 2/4/8
  - Burst read stop capability

---

## HM5425161B, HM5425801B, HM5425401B Series

---

- Programmable burst sequence
  - Sequential
  - Interleave
- Start addressing capability
  - Even and Odd
- Programmable  $\overline{\text{CAS}}$  latency: 2/2.5
- 8192 refresh cycles: 7.8  $\mu\text{s}$  (64 ms/8192 cycles)
- 2 variations of refresh
  - Auto refresh
  - Self refresh

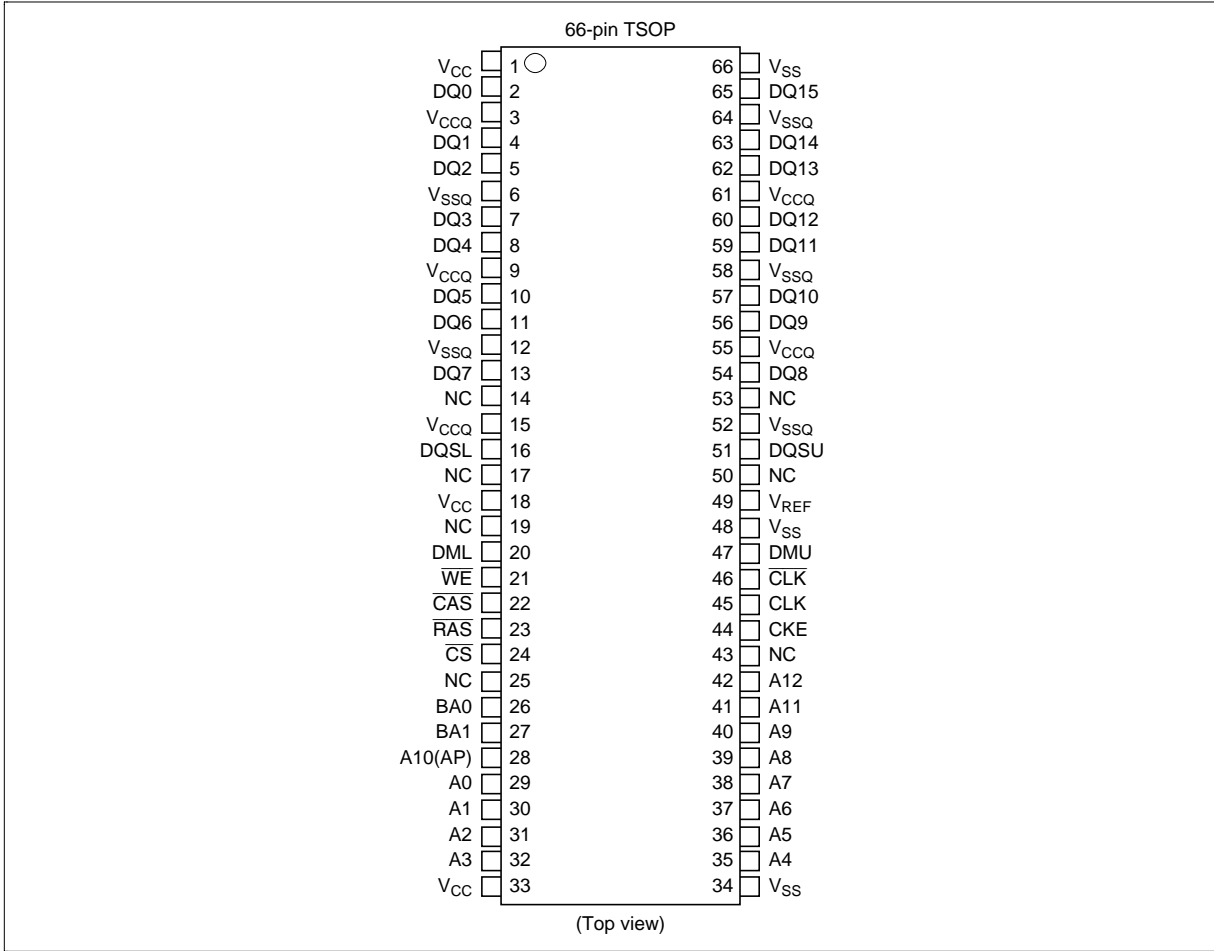
### Ordering Information

Type No.	Frequency	$\overline{\text{CAS}}$ latency	Package
HM5425161BTT-75A* <sup>1</sup>	133 MHz	2.0	400-mill 66-pin plastic TSOP II
HM5425161BTT-75B* <sup>2</sup>	133 MHz	2.5	
HM5425161BTT-10* <sup>3</sup>	100 MHz	2.0	
HM5425801BTT-75A* <sup>1</sup>	133 MHz	2.0	
HM5425801BTT-75B* <sup>2</sup>	133 MHz	2.5	
HM5425801BTT-10* <sup>3</sup>	100 MHz	2.0	
HM5425401BTT-75A* <sup>1</sup>	133 MHz	2.0	
HM5425401BTT-75B* <sup>2</sup>	133 MHz	2.5	
HM5425401BTT-10* <sup>3</sup>	100 MHz	2.0	

Notes: 1. 143 MHz operation at  $\overline{\text{CAS}}$  latency = 2.5.  
2. 100 MHz operation at  $\overline{\text{CAS}}$  latency = 2.0.  
3. 125 MHz operation at  $\overline{\text{CAS}}$  latency = 2.5.

## HM5425161B, HM5425801B, HM5425401B Series

### Pin Arrangement (HM5425161B)



---

## HM5425161B, HM5425801B, HM5425401B Series

---

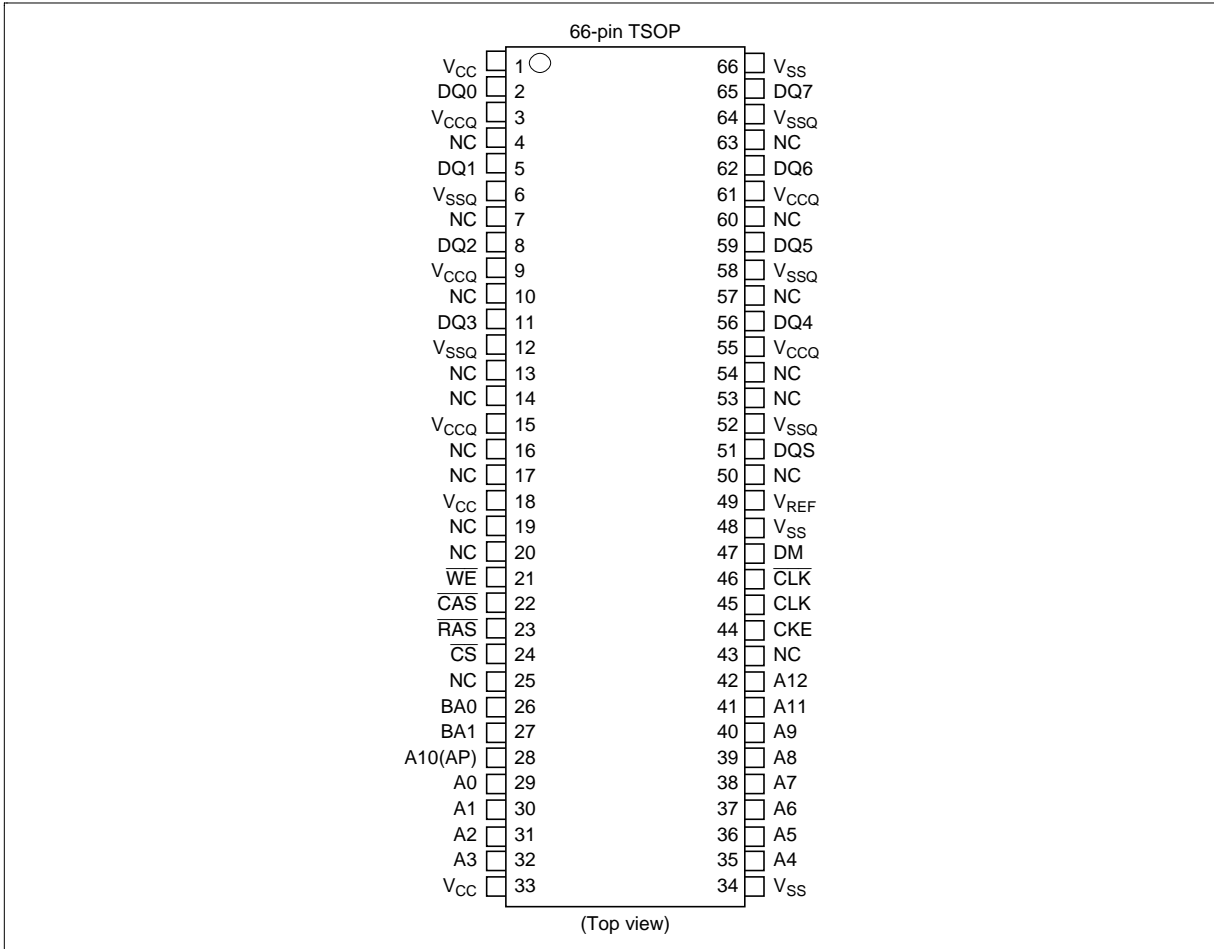
### Pin Description

Pin name	Function
A0 to A12	Address input — Row address A0 to A12 — Column address A0 to A8
BA0, BA1	Bank select address
DQ0 to DQ15	Data-input/output
DQSU	Upper input and output data strobe
DQSL	Lower input and output data strobe
$\overline{\text{CS}}$	Chip select
$\overline{\text{RAS}}$	Row address strobe command
$\overline{\text{CAS}}$	Column address strobe command
$\overline{\text{WE}}$	Write enable
DMU	Upper byte input mask
DML	Lower byte input mask
CLK	Clock input
$\overline{\text{CLK}}$	Differential clock input
CKE	Clock enable
$V_{\text{REF}}$	Input reference voltage
$V_{\text{CC}}$	Power for internal circuit
$V_{\text{SS}}$	Ground for internal circuit
$V_{\text{CCQ}}$	Power for DQ circuit
$V_{\text{SSQ}}$	Ground for DQ circuit
NC	No connection

---

## HM5425161B, HM5425801B, HM5425401B Series

### Pin Arrangement (HM5425801B)



---

## HM5425161B, HM5425801B, HM5425401B Series

---

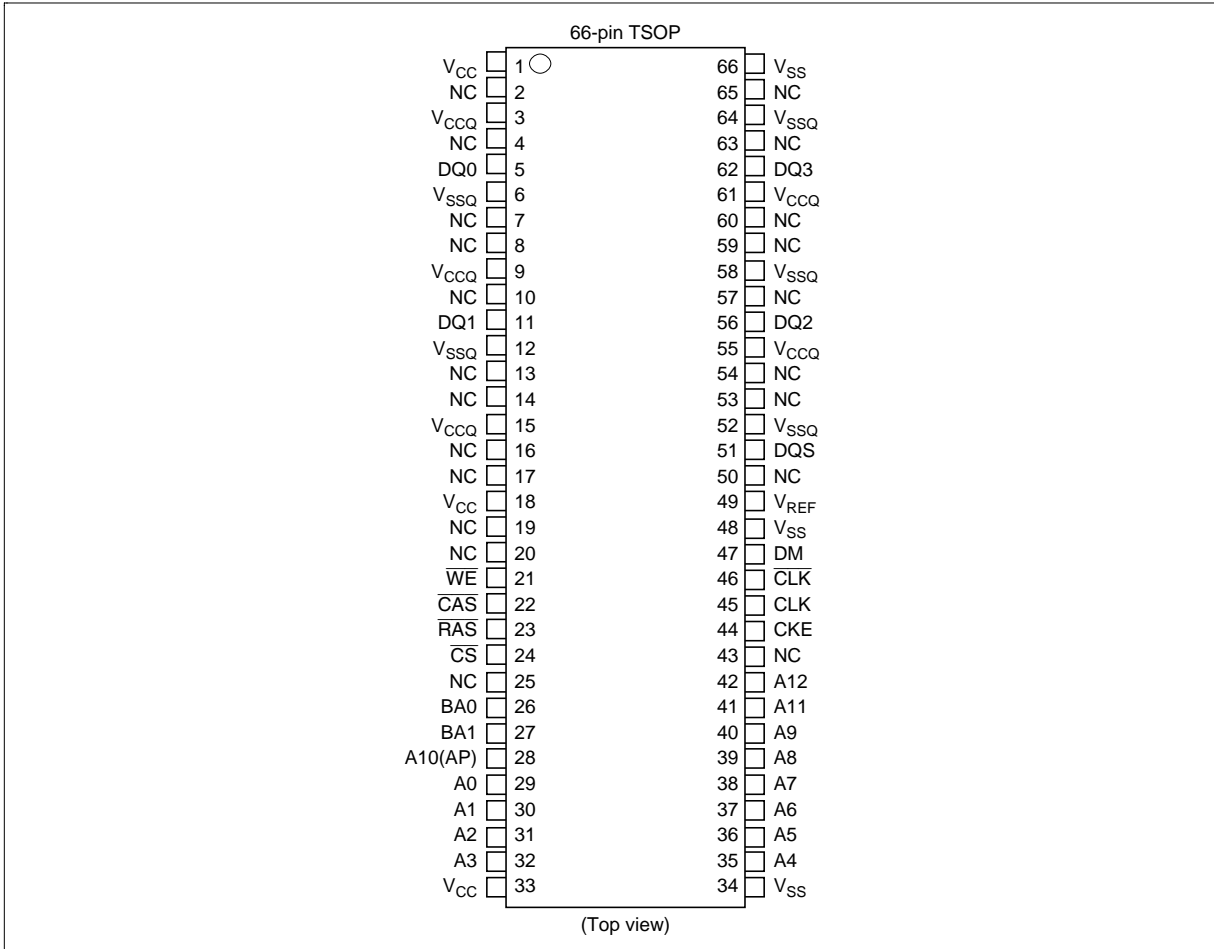
### Pin Description

Pin name	Function
A0 to A12	Address input <ul style="list-style-type: none"><li>— Row address A0 to A12</li><li>— Column address A0 to A9</li></ul>
BA0, BA1	Bank select address
DQ0 to DQ7	Data-input/output
DQS	Input and output data strobe
$\overline{CS}$	Chip select
$\overline{RAS}$	Row address strobe command
$\overline{CAS}$	Column address strobe command
$\overline{WE}$	Write enable
DM	Input mask
CLK	Clock input
CLK	Differential clock input
CKE	Clock enable
V <sub>REF</sub>	Input reference voltage
V <sub>CC</sub>	Power for internal circuit
V <sub>SS</sub>	Ground for internal circuit
V <sub>CCQ</sub>	Power for DQ circuit
V <sub>SSQ</sub>	Ground for DQ circuit
NC	No connection

---

## HM5425161B, HM5425801B, HM5425401B Series

### Pin Arrangement (HM5425401B)



---

## HM5425161B, HM5425801B, HM5425401B Series

---

### Pin Description

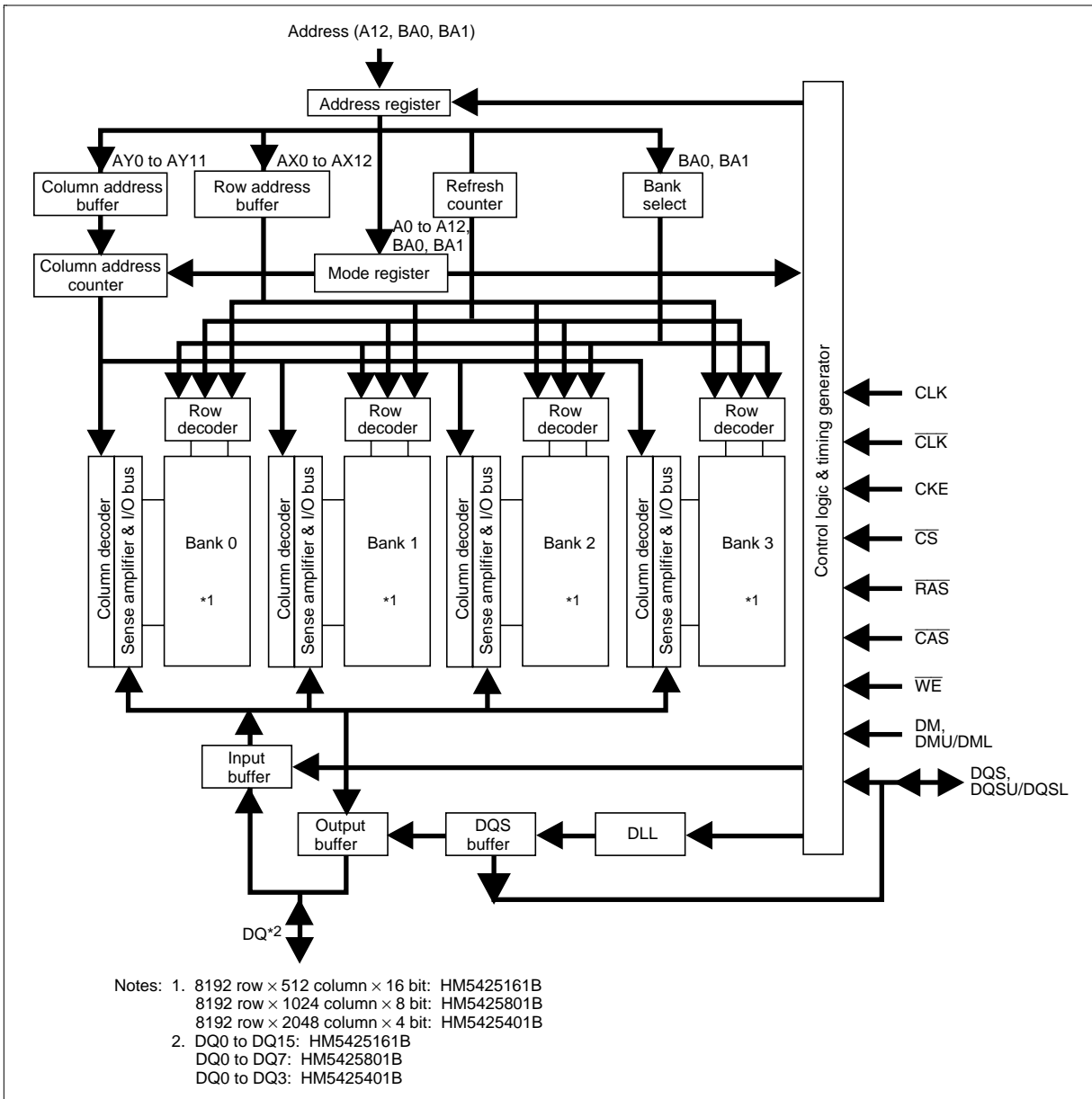
Pin name	Function
A0 to A12	Address input — Row address A0 to A12 — Column address A0 to A9, A11
BA0, BA1	Bank select address
DQ0 to DQ3	Data-input/output
DQS	Output data strobe
$\overline{CS}$	Chip select
$\overline{RAS}$	Row address strobe command
$\overline{CAS}$	Column address strobe command
$\overline{WE}$	Write enable
DM	Input mask
CLK	Clock input
CLK	Differential clock input
CKE	Clock enable
V <sub>REF</sub>	Input reference voltage
V <sub>CC</sub>	Power for internal circuit
V <sub>SS</sub>	Ground for internal circuit
V <sub>CCQ</sub>	Power for DQ circuit
V <sub>SSQ</sub>	Ground for DQ circuit
NC	No connection

---



# HM5425161B, HM5425801B, HM5425401B Series

## Block Diagram



---

## HM5425161B, HM5425801B, HM5425401B Series

---

### Pin Functions (1)

**CLK,  $\overline{\text{CLK}}$  (input pin):** The CLK and the  $\overline{\text{CLK}}$  are the master clock inputs. All inputs except DMs, DQSs and DQs are referred to the cross point of the CLK rising edge and the  $V_{\text{REF}}$  level. When a read operation, DQSs and DQs are referred to the cross point of the CLK and the  $\overline{\text{CLK}}$ . When a write operation, DMs and DQs are referred to the cross point of the DQS and the  $V_{\text{REF}}$  level. DQSs for write operation are referred to the cross point of the CLK and the  $\overline{\text{CLK}}$ .

**$\overline{\text{CS}}$  (input pin):** When  $\overline{\text{CS}}$  is Low, commands and data can be input. When  $\overline{\text{CS}}$  is High, all inputs are ignored. However, internal operations (bank active, burst operations, etc.) are held.

**$\overline{\text{RAS}}$ ,  $\overline{\text{CAS}}$ , and  $\overline{\text{WE}}$  (input pins):** These pins define operating commands (read, write, etc.) depending on the combinations of their voltage levels. See "Command operation".

**A0 to A12 (input pins):** Row address (AX0 to AX12) is determined by the A0 to the A12 level at the cross point of the CLK rising edge and the  $V_{\text{REF}}$  level in a bank active command cycle. Column address (AY0 to AY8; the HM5425161B, AY0 to AY9; the HM5425801B, AY0 to AY9, AY11; the HM5425401B) is loaded via the A0 to the A9 at the cross point of the CLK rising edge and the  $V_{\text{REF}}$  level in a read or a write command cycle. This column address becomes the starting address of a burst operation.

**A10 (AP) (input pin):** A10 defines the precharge mode when a precharge command, a read command or a write command is issued. If A10 = High when a precharge command is issued, all banks are precharged. If A10 = Low when a precharge command is issued, only the bank that is selected by BA1/BA0 is precharged. If A10 = High when read or write command, auto-precharge function is enabled. While A10 = Low, auto-precharge function is disabled.

**BA0/BA1 (input pin):** BA0/BA1 are bank select signals. The memory array is divided into bank 0, bank 1, bank 2 and bank 3. If BA1 = Low and BA0 = Low, bank 0 is selected. If BA1 = High and BA0 = Low, bank 1 is selected. If BA1 = Low and BA0 = High, bank 2 is selected. If BA1 = High and BA0 = High, bank 3 is selected.

**CKE (input pin):** CKE controls power down and self-refresh. The power down and the self-refresh commands are entered when the CKE is driven Low and exited when it resumes to High.

The CKE level must be kept for 1 CLK cycle ( $= t_{\text{CKEPW}}$ ) at least, that is, if CKE changes at the cross point of the CLK rising edge and the  $V_{\text{REF}}$  level with proper setup time  $t_{\text{IS}}$ , by the next CLK rising edge CKE level must be kept with proper hold time  $t_{\text{IH}}$ .

---

## HM5425161B, HM5425801B, HM5425401B Series

---

### Pin Functions (2)

**DM, DMU/DML (input pins):** DM (the HM5425801B and the HM5425401B), DMU/DML (the HM5425161B) are the reference signals of the data input mask function. DMs are sampled at the cross point of DQS and  $V_{REF}$ . DMU/DML provide the byte mask function. When DMU/DML = High, the data input at the same timing are masked while the internal burst counter will be count up. DML controls the lower byte (DQ0 to DQ7) and DMU controls the upper byte (DQ8 to DQ15) of write data.

**DQ0 to DQ15 (input and output pins):** Data are input to and output from these pins (the DQ0 to the DQ15; the HM5425161B, the DQ0 to the DQ7; the HM5425801B, the DQ0 to the DQ3; the HM5425401B).

**DQS, DQSU/DQSL (input and output pin):** DQS (the HM5425801B and the HM5425401B), DQSU/DQSL (the HM5425161B) provide the read data strobes (as output) and the write data strobes (as input). DQSL is the lower byte (DQ0 to DQ7) data strobe signal, DQSU is the upper byte (DQ8 to DQ15) data strobe signal.

**$V_{CC}$  and  $V_{CCQ}$  (power supply pins):** 2.5 V is applied. ( $V_{CC}$  is for the internal circuit and  $V_{CCQ}$  is for the output buffer.)

**$V_{SS}$  and  $V_{SSQ}$  (power supply pins):** Ground is connected. ( $V_{SS}$  is for the internal circuit and  $V_{SSQ}$  is for the output buffer.)

## HM5425161B, HM5425801B, HM5425401B Series

### Command Operation

#### Command Truth Table

The HM5425161B, the HM5425801B and HM5425401B recognize the following commands specified by the  $\overline{CS}$ ,  $\overline{RAS}$ ,  $\overline{CAS}$ ,  $\overline{WE}$  and address pins. All other combinations than those in the table below are illegal.

Command	Symbol	CKE		$\overline{CS}$	$\overline{RAS}$	$\overline{CAS}$	$\overline{WE}$	BA1	BA0	AP	Address
		n - 1	n								
Ignore command	DESL	H	H	H	×	×	×	×	×	×	×
No operation	NOP	H	H	L	H	H	H	×	×	×	×
Burst stop in read command	BST	H	H	L	H	H	L	×	×	×	×
Column address and read command	READ	H	H	L	H	L	H	V	V	L	V
Read with auto-precharge	READA	H	H	L	H	L	H	V	V	H	V
Column address and write command	WRIT	H	H	L	H	L	L	V	V	L	V
Write with auto-precharge	WRITA	H	H	L	H	L	L	V	V	H	V
Row address strobe and bank active	ACTV	H	H	L	L	H	H	V	V	V	V
Precharge select bank	PRE	H	H	L	L	H	L	V	V	L	×
Precharge all bank	PALL	H	H	L	L	H	L	×	×	H	×
Refresh	REF	H	H	L	L	L	H	×	×	×	×
	SELF	H	L	L	L	L	H	×	×	×	×
Mode register set	MRS	H	H	L	L	L	L	L	L	L	V
	EMRS	H	H	L	L	L	L	L	H	L	V

Notes: 1. H:  $V_{IH}$ . L:  $V_{IL}$ . ×:  $V_{IH}$  or  $V_{IL}$ . V: Valid address input  
 2. The CKE level must be kept for 1 CLK cycle ( $= t_{CKEPW}$ ) at least.

**Ignore command [DESL]:** When  $\overline{CS}$  is High at the cross point of the CLK rising edge and the  $V_{REF}$  level, every input are neglected and internal status is held.

**No operation [NOP]:** As long as this command is input at the cross point of the CLK rising edge and the  $V_{REF}$  level, address and data input are neglected and internal status is held.

**Burst stop in read operation [BST]:** This command stops a burst read operation, which is not applicable for a burst write operation.

**Column address strobe and read command [READ]:** This command starts a read operation. The start address of the burst read is determined by the column address (AY0 to AY8; the HM5425161B, AY0 to AY9; the HM5425801B, AY0 to AY9, AY11; the HM5425401B) and the bank select address (BA). After the completion of the read operation, the output buffer becomes High-Z.

---

## HM5425161B, HM5425801B, HM5425401B Series

---

**Read with auto-precharge [READA]:** This command starts a read operation. After completion of the read operation, precharge is automatically executed.

**Column address strobe and write command [WRIT]:** This command starts a write operation. The start address of the burst write is determined by the column address (AY0 to AY8; the HM5425161B, AY0 to AY9; the HM5425801B, AY0 to AY9, AY11; the HM5425401B) and the bank select address (BA).

**Write with auto-precharge [WRITA]:** This command starts a write operation. After completion of the write operation, precharge is automatically executed.

**Row address strobe and bank activate [ACTV]:** This command activates the bank selected by BA0/BA1 and determines a row address (AX0 to AX12). When BA1 = BA0 = Low, bank 0 is activated. When BA1 = High and BA0 = Low, bank 1 is activated. When BA1 = Low and BA0 = High, bank 2 is activated. When BA1 = BA0 = High, bank 3 is activated.

**Precharge selected bank [PRE]:** This command starts a pre-charge operation for the bank selected by BA0/BA1.

**Precharge all banks [PALL]:** This command starts a precharge operation for all banks.

**Refresh [REF/SELF]:** This command starts a refresh operation. There are two types of refresh operation, one is auto-refresh, and another is self-refresh. For details, refer to the CKE truth table section.

**Mode register set/Extended mode register set [MRS/EMRS]:** The DDR SDRAM has the two mode registers, the mode register and the extended mode register, to define how it works. The both mode registers are set through the address pins (the A0 to the A12, BA0 to BA1) in the mode register set cycle. For details, refer to "Mode register and extended mode register set".

## HM5425161B, HM5425801B, HM5425401B Series

CKE Truth Table

Current state	Command	CKE		$\overline{\text{CS}}$	$\overline{\text{RAS}}$	$\overline{\text{CAS}}$	$\overline{\text{WE}}$	Address	Notes
		n - 1	n						
Idle	Auto-refresh command (REF)	H	H	L	L	L	H	×	2
Idle	Self-refresh entry (SELF)	H	L	L	L	L	H	×	2
Idle	Power down entry (PDEN)	H	L	L	H	H	H	×	
		H	L	H	×	×	×	×	
Self refresh	Self refresh exit (SELFX)	L	H	L	H	H	H	×	
		L	H	H	×	×	×	×	
Power down	Power down exit (PDEX)	L	H	L	H	H	H	×	
		L	H	H	×	×	×	×	

Notes: 1. H:  $V_{IH}$ , L:  $V_{IL}$ , ×:  $V_{IH}$  or  $V_{IL}$ .

2. All the banks must be in IDLE before executing this command.

3. The CKE level must be kept for 1 CLK cycle ( $= t_{CKEPW}$ ) at least.

**Auto-refresh command [REF]:** This command executes auto-refresh. The banks and the ROW addresses to be refreshed are internally determined by the internal refresh controller. The average refresh cycle is 7.8  $\mu\text{s}$ . The output buffer becomes High-Z after auto-refresh start. Precharge has been completed automatically after the auto-refresh. The ACTV or MRS command can be issued  $t_{RFC}$  after the last auto-refresh command.

**Self-refresh entry [SELF]:** This command starts self-refresh. The self-refresh operation continues as long as CKE is held Low. During the self-refresh operation, all ROW addresses are repeated refreshing by the internal refresh controller. A self-refresh is terminated by a self-refresh exit command.

**Power down mode entry [PDEN]:**  $t_{PDEN}$  ( $= 1$  cycle) after the cycle when [PDEN] is issued. The DDR SDRAM enters into power-down mode. In power down mode, power consumption is suppressed by deactivating the input initial circuit. Power down mode continues while CKE is held Low. No internal refresh operation occurs during the power down mode. [PDEN] do not disable DLL.

**Self-refresh exit [SELFX]:** This command is executed to exit from self-refresh mode. 10 cycles ( $= t_{SNR}$ ) after [SELFX], non-read commands can be executed. For read operation, wait for 200 cycles ( $= t_{SRD}$ ) after [SELFX] to adjust Dout timing by DLL. After the exit, within 7.8  $\mu\text{s}$  input auto-refresh command.

**Power down exit [PDEX]:** The DDR SDRAM can exit from power down mode  $t_{PDEX}$  (1 cycle min.) after the cycle when [PDEX] is issued.

## HM5425161B, HM5425801B, HM5425401B Series

### Function Truth Table

The following tables show the operations that are performed when each command is issued in each state of the DDR SDRAM.

**Function Truth Table (1)**

Current state	$\overline{CS}$	$\overline{RAS}$	$\overline{CAS}$	$\overline{WE}$	Address	Command	Operation	Next state
Precharging* <sup>2</sup>	H	x	x	x	x	DESL	NOP	Idle
	L	H	H	H	x	NOP	NOP	Idle
	L	H	H	L	x	BST	ILLEGAL* <sup>12</sup>	—
	L	H	L	H	BA, CA, A10	READ/READA	ILLEGAL* <sup>12</sup>	—
	L	H	L	L	BA, CA, A10	WRIT/WRITA	ILLEGAL* <sup>12</sup>	—
	L	L	H	H	BA, RA	ACTV	ILLEGAL* <sup>12</sup>	—
	L	L	H	L	BA, A10	PRE, PALL	NOP	Idle
	L	L	L	x	x		ILLEGAL	—
Idle* <sup>3</sup>	H	x	x	x	x	DESL	NOP	Idle
	L	H	H	H	x	NOP	NOP	Idle
	L	H	H	L	x	BST	ILLEGAL* <sup>12</sup>	—
	L	H	L	H	BA, CA, A10	READ/READA	ILLEGAL* <sup>12</sup>	—
	L	H	L	L	BA, CA, A10	WRIT/WRITA	ILLEGAL* <sup>12</sup>	—
	L	L	H	H	BA, RA	ACTV	Activating	Active
	L	L	H	L	BA, A10	PRE, PALL	NOP	Idle
	L	L	L	H	x	REF, SELF	Refresh/ Selfrefresh* <sup>13</sup>	Idle/ Selfrefresh
Refresh (auto-refresh)* <sup>4</sup>	L	L	L	L	MODE	MRS	Mode register set* <sup>13</sup>	Idle
	H	x	x	x	x	DESL	NOP	Idle
	L	H	H	H	x	NOP	NOP	Idle
	H	H	H	L	x	BST	ILLEGAL	—
	L	H	L	x	x		ILLEGAL	—
L	L	x	x	x		ILLEGAL	—	

## HM5425161B, HM5425801B, HM5425401B Series

Function Truth Table (2)

Current state	$\overline{CS}$	$\overline{RAS}$	$\overline{CAS}$	$\overline{WE}$	Address	Command	Operation	Next state
Activating* <sup>5</sup>	H	×	×	×	×	DESL	NOP	Active
	L	H	H	H	×	NOP	NOP	Active
	L	H	H	L	×	BST	ILLEGAL* <sup>12</sup>	—
	L	H	L	H	BA, CA, A10	READ/READA	ILLEGAL* <sup>12</sup>	—
	L	H	L	L	BA, CA, A10	WRIT/WRITA	ILLEGAL* <sup>12</sup>	—
	L	L	H	H	BA, RA	ACTV	ILLEGAL* <sup>12</sup>	—
	L	L	H	L	BA, A10	PRE, PALL	ILLEGAL* <sup>12</sup>	—
	L	L	L	×	×		ILLEGAL	—
Active* <sup>6</sup>	H	×	×	×	×	DESL	NOP	Active
	L	H	H	H	×	NOP	NOP	Active
	L	H	H	L	×	BST	ILLEGAL	Active
	L	H	L	H	BA, CA, A10	READ/READA	Starting read operation	Read/READ A
	L	H	L	L	BA, CA, A10	WRIT/WRITA	Starting write operation	Write recovering/ precharging
	L	L	H	H	BA, RA	ACTV	ILLEGAL* <sup>12</sup>	—
	L	L	H	L	BA, A10	PRE, PALL	Pre-charge	Idle
	L	L	L	×	×		ILLEGAL	—
Read* <sup>7</sup>	H	×	×	×	×	DESL	NOP	Active
	L	H	H	H	×	NOP	NOP	Active
	L	H	H	L	×	BST	BST	Active
	L	H	L	H	BA, CA, A10	READ/READA	Interrupting burst read operation to start new read	Active
	L	H	L	L	BA, CA, A10	WRIT/WRITA	ILLEGAL* <sup>14</sup>	—
	L	L	H	H	BA, RA	ACTV	ILLEGAL* <sup>12</sup>	—
	L	L	H	L	BA, A10	PRE, PALL	Interrupting burst read operation to start pre-charge	Precharging
	L	L	L	×	×		ILLEGAL	—



## HM5425161B, HM5425801B, HM5425401B Series

**Function Truth Table (3)**

Current state	$\overline{CS}$	$\overline{RAS}$	$\overline{CAS}$	$\overline{WE}$	Address	Command	Operation	Next state
Read with auto-pre-charge* <sup>8</sup>	H	x	x	x	x	DESL	NOP	Precharging
	L	H	H	H	x	NOP	NOP	Precharging
	L	H	H	L	x	BST	ILLEGAL* <sup>15</sup>	—
	L	H	L	H	BA, CA, A10	READ/READA	ILLEGAL* <sup>15</sup>	—
	L	H	L	L	BA, CA, A10	WRIT/WRITA	ILLEGAL* <sup>15</sup>	—
	L	L	H	H	BA, RA	ACTV	ILLEGAL* <sup>12, 15</sup>	—
	L	L	H	L	BA, A10	PRE, PALL	ILLEGAL* <sup>12, 15</sup>	—
Write* <sup>9</sup>	L	L	L	x	x		ILLEGAL	—
	H	x	x	x	x	DESL	NOP	Write recovering
	L	H	H	H	x	NOP	NOP	Write recovering
	L	H	H	L	x	BST	ILLEGAL	—
	L	H	L	H	BA, CA, A10	READ/READA	Interrupting burst write operation to start read operation.	Read/ReadA
	L	H	L	L	BA, CA, A10	WRIT/WRITA	Interrupting burst write operation to start new write operation.	Write/WriteA
	L	L	H	H	BA, RA	ACTV	ILLEGAL* <sup>12</sup>	—
Write recovering* <sup>10</sup>	L	L	H	L	BA, A10	PRE, PALL	Interrupting write operation to start pre-charge.	Idle
	L	L	L	x	x		ILLEGAL	—
	H	x	x	x	x	DESL	NOP	Active
	L	H	H	H	x	NOP	NOP	Active
	L	H	H	L	x	BST	ILLEGAL	—
	L	H	L	H	BA, CA, A10	READ/READA	Starting read operation.	Read/ReadA
	L	H	L	L	BA, CA, A10	WRIT/WRITA	Starting new write operation.	Write/WriteA
	L	L	H	H	BA, RA	ACTV	ILLEGAL* <sup>12</sup>	—
	L	L	H	L	BA, A10	PRE/PALL	ILLEGAL* <sup>12</sup>	—
	L	L	L	x	x		ILLEGAL	—

## HM5425161B, HM5425801B, HM5425401B Series

Function Truth Table (4)

Current state	$\overline{CS}$	$\overline{RAS}$	$\overline{CAS}$	$\overline{WE}$	Address	Command	Operation	Next state
Write with auto-pre-charge* <sup>11</sup>	H	×	×	×	×	DESL	NOP	Precharging
	L	H	H	H	×	NOP	NOP	Precharging
	L	H	H	L	×	BST	ILLEGAL	—
	L	H	L	H	BA, CA, A10	READ/READA	ILLEGAL* <sup>15</sup>	—
	L	H	L	L	BA, CA, A10	WRIT/WRIT A	ILLEGAL* <sup>15</sup>	—
	L	L	H	H	BA, RA	ACTV	ILLEGAL* <sup>12, 15</sup>	—
	L	L	H	L	BA, A10	PRE, PALL	ILLEGAL* <sup>12, 15</sup>	—
	L	L	L	×	×		ILLEGAL	—

Notes: 1. H:  $V_{IH}$ . L:  $V_{IL}$ . ×:  $V_{IH}$  or  $V_{IL}$ .

2. The DDR SDRAM is in "Precharging" state for  $t_{RP}$  after precharge command is issued.
3. The DDR SDRAM reaches "IDLE" state  $t_{RP}$  after precharge command is issued.
4. The DDR SDRAM is in "Refresh" state for  $t_{RC}$  after auto-refresh command is issued.
5. The DDR SDRAM is in "Activating" state for  $t_{RCD}$  after ACTV command is issued.
6. The DDR SDRAM is in "Active" state after "Activating" is completed.
7. The DDR SDRAM is in "READ" state until burst data have been output and DQ output circuits are turned off.
8. The DDR SDRAM is in "READ with auto-precharge" from READA command until burst data has been output and DQ output circuits are turned off.
9. The DDR SDRAM is in "WRITE" state from WRIT command to the last burst data are input.
10. The DDR SDRAM is in "Write recovering" for  $t_{WR}$  after the last data are input.
11. The DDR SDRAM is in "Write with auto-precharge" until  $t_{WR}$  after the last data has been input.
12. This command may be issued for other banks, depending on the state of the banks.
13. All banks must be in "IDLE".
14. Before executing a write command to stop the preceding burst read operation, BST command must be issued.
15. See 'Read with Auto-Precharge Enabled, Write with Auto-Precharge Enable' section.

---

## HM5425161B, HM5425801B, HM5425401B Series

---

### Read with Auto-Precharge Enabled, Write with Auto-Precharge Enabled

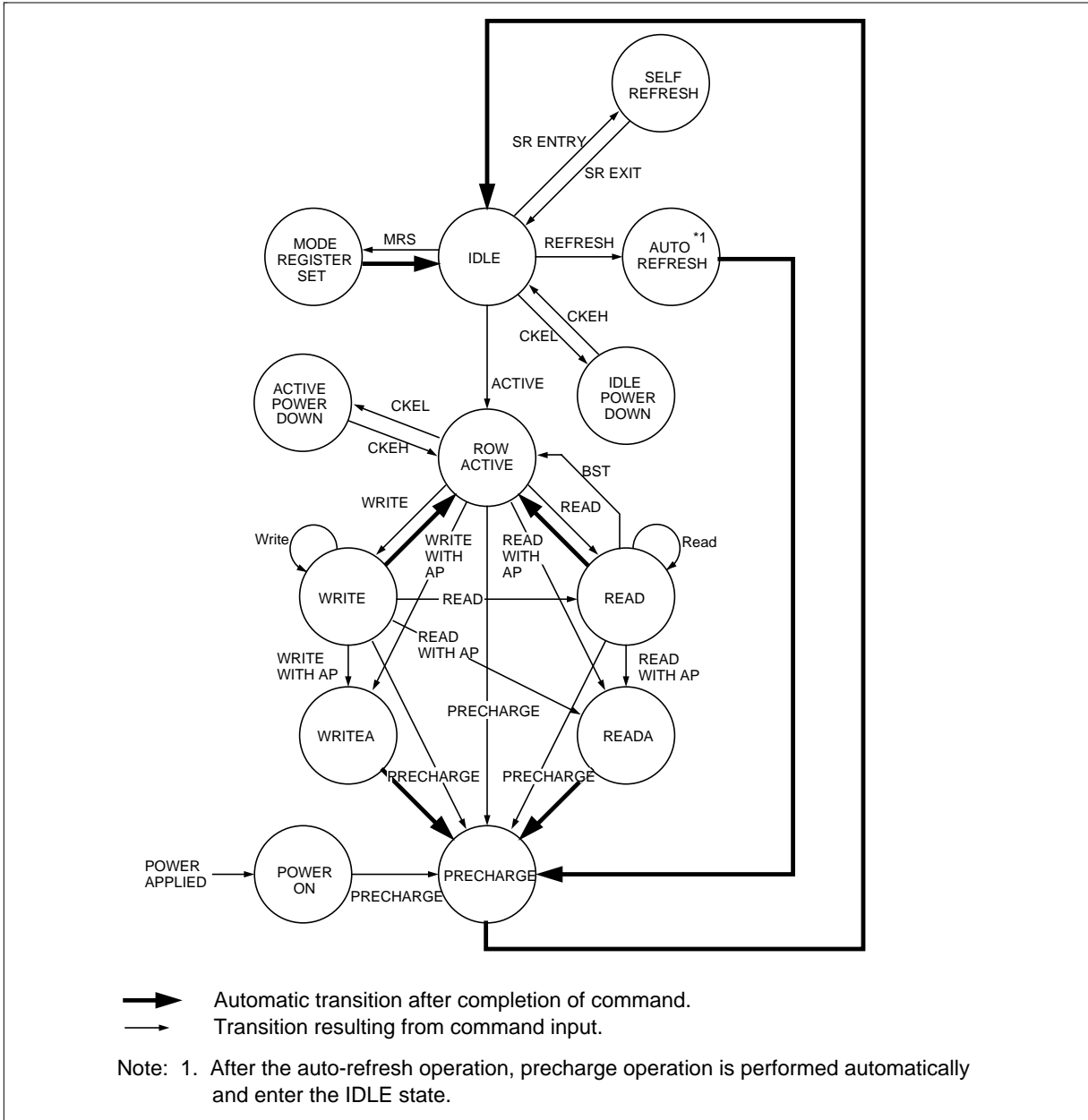
The Elpida HM5425401/801/161B series support the concurrent auto precharge feature, a read with auto-precharge enabled, or a write with auto-precharge enabled, may be followed by any command to the other banks, as long as that command does not interrupt the read or write data transfer, and all other related limitations apply (e.g. contention between READ data and WRITE data must be avoided.)

The minimum delay from a read or write command with auto precharge enabled, to a command to a different bank, is summarized below.

From command	To command (different bank, non-interrupting command)	Minimum delay (Concurrent AP supported)	Units
Read w/AP	Read or Read w/AP	BL/2	tCK
	Write or Write w/AP	CL(rounded up)+ (BL/2)	tCK
	Precharge or Activate	1	tCK
Write w/AP	Read or Read w/AP	1 + (BL/2) + tWTR	tCK
	Write or Write w/AP	BL/2	tCK
	Precharge or Activate	1	tCK

# HM5425161B, HM5425801B, HM5425401B Series

## Simplified State Diagram



## Operation of the DDR SDRAM

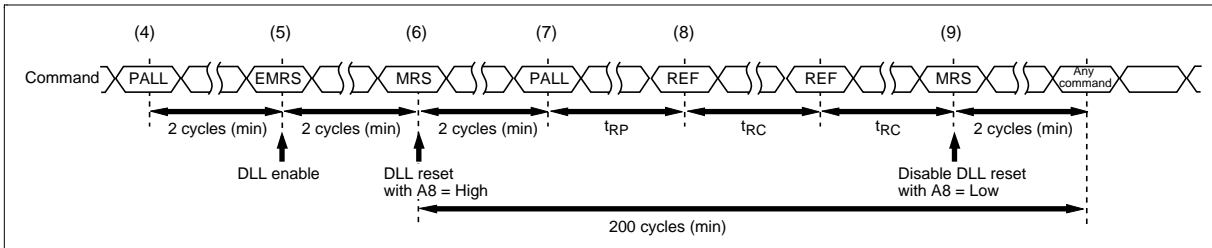
### Power-up Sequence

The following sequence is recommended for Power-up.

- (1) Apply power and attempt to maintain CKE at an LVCMOS low state (all other inputs may be undefined).  
 Apply  $V_{CC}$  before or at the same time as  $V_{CCQ}$ .  
 Apply  $V_{CCQ}$  before or at the same time as  $V_{TT}$  and  $V_{REF}$ .
- (2) Start clock and maintain stable condition for a minimum of 200  $\mu$ s.
- (3) After the minimum 200  $\mu$ s of stable power and clock (CLK,  $\overline{CLK}$ ), apply NOP and take CKE high.
- (4) Issue precharge all command for the device.
- (5) Issue EMRS to enable DLL.
- (6) Issue a mode register set command (MRS) for "DLL reset" with bit A8 set to high (An additional 200 cycles of clock input is required to lock the DLL after every DLL reset).
- (7) Issue precharge all command for the device.\*<sup>1</sup>
- (8) Issue 2 or more auto-refresh commands.\*<sup>1</sup>
- (9) Issue a mode register set command to initialize device operation with bit A8 set to low in order to avoid resetting the DLL.

Note: 1. Sequence of (7) and (8) may be reversed.

### Power-up Sequence after CKE Goes High



## HM5425161B, HM5425801B, HM5425401B Series

### Mode Register and Extended Mode Register Set

There are two mode registers, the mode register and the extended mode register so as to define the operating mode. Parameters are set to both through the A0 to the A12 and BA0, BA1 pins by the mode register set command [MRS] or the extended mode register set command [EMRS]. The mode register and the extended mode register are set by inputting signal via the A0 to the A12 and BA0, BA1 during mode register set cycles. BA0 and BA1 determine which one of the mode register or the extended mode register are set. Prior to a read or a write operation, the mode register must be set.

Remind that no other parameters are shown in the table bellow are allowed to input to the registers.

#### Mode Register Set [MRS] (BA0 = 0, BA1 = 0)

BA0	BA1	A12	A11	A10	A9	A8	A7	A6	A5	A4	A3	A2	A1	A0
0	0	0	0	0	0	DR	0	LMODE			BT	BL		

MRS

A8	DLL Reset	A6	A5	A4	CAS Latency	A3	Burst Type	A2	A1	A0	Burst Length	
											BT=0	BT=1
0	No	0	1	0	2	0	Sequential	0	0	1	2	2
1	Yes	1	1	0	2.5	1	Interleave	0	1	0	4	4
								0	1	1	8	8

#### Extended Mode Register Set [EMRS] (BA0 = 1, BA1 = 0)

BA0	BA1	A12	A11	A10	A9	A8	A7	A6	A5	A4	A3	A2	A1	A0
1	0	0	0	0	0	0	0	0	0	0	0	0	0	DLL

EMRS

A0	DLL Control
0	DLL Enable
1	DLL Disable

## HM5425161B, HM5425801B, HM5425401B Series

### Burst Operation

The burst type (BT) and the first three bits of the column address determines the order of a data out.

Burst length = 2

Starting Ad.	Addressing(decimal)	
A0	Sequence	Interleave
0	0, 1,	0, 1,
1	1, 0,	1, 0,

Burst length = 4

Starting Ad.		Addressing(decimal)	
A1	A0	Sequence	Interleave
0	0	0, 1, 2, 3,	0, 1, 2, 3,
0	1	1, 2, 3, 0,	1, 0, 3, 2,
1	0	2, 3, 0, 1,	2, 3, 0, 1,
1	1	3, 0, 1, 2,	3, 2, 1, 0,

Burst length = 8

Starting Ad.			Addressing(decimal)	
A2	A1	A0	Sequence	Interleave
0	0	0	0, 1, 2, 3, 4, 5, 6, 7,	0, 1, 2, 3, 4, 5, 6, 7,
0	0	1	1, 2, 3, 4, 5, 6, 7, 0,	1, 0, 3, 2, 5, 4, 7, 6,
0	1	0	2, 3, 4, 5, 6, 7, 0, 1,	2, 3, 0, 1, 6, 7, 4, 5,
0	1	1	3, 4, 5, 6, 7, 0, 1, 2,	3, 2, 1, 0, 7, 6, 5, 4,
1	0	0	4, 5, 6, 7, 0, 1, 2, 3,	4, 5, 6, 7, 0, 1, 2, 3,
1	0	1	5, 6, 7, 0, 1, 2, 3, 4,	5, 4, 7, 6, 1, 0, 3, 2,
1	1	0	6, 7, 0, 1, 2, 3, 4, 5,	6, 7, 4, 5, 2, 3, 0, 1,
1	1	1	7, 0, 1, 2, 3, 4, 5, 6,	7, 6, 5, 4, 3, 2, 1, 0,

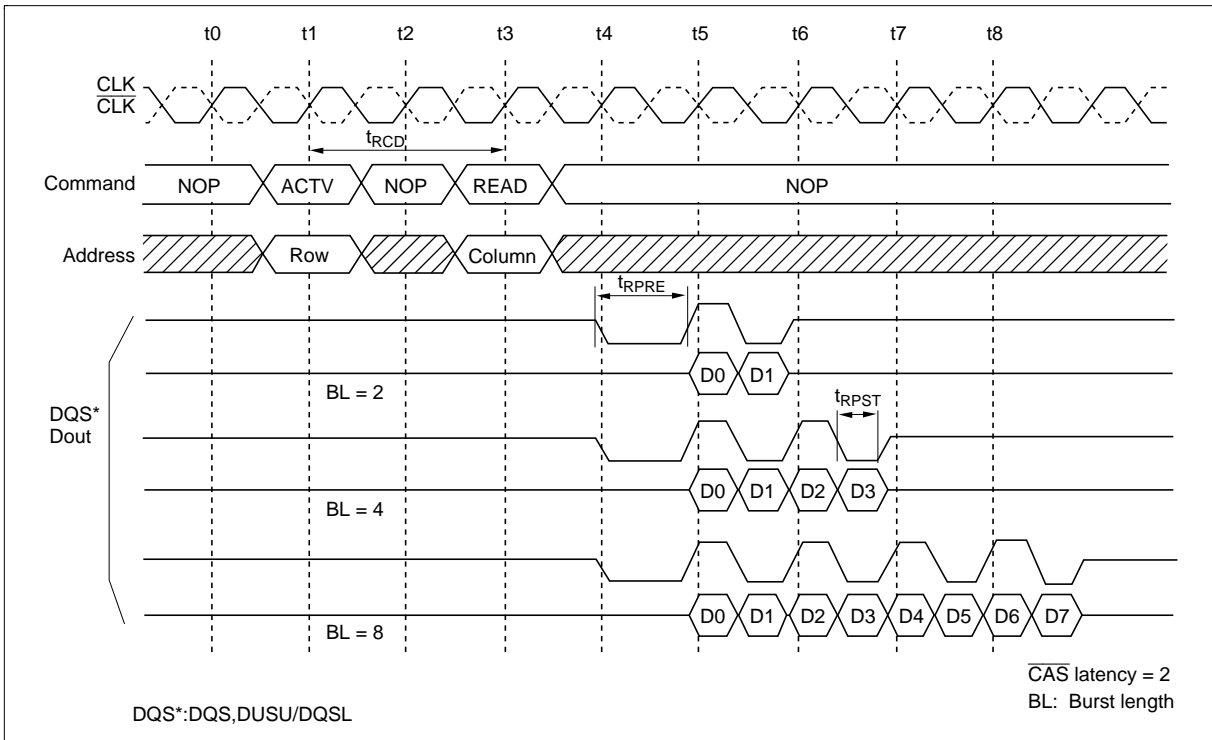
## HM5425161B, HM5425801B, HM5425401B Series

### Read/Write Operations

**Bank active:** A read or a write operation begins with the bank active command [ACTV]. The bank active command determines a bank address (BA0, BA1) and a row address (AX0 to AX12). For the bank and the row, a read or a write command can be issued  $t_{\text{RCD}}$  after the ACTV is issued.

**Read operation:** The burst length (BL), the  $\overline{\text{CAS}}$  latency (CL) and the burst type (BT) of the mode register are referred when a read command is issued. The burst length (BL) determines the length of a sequential output data by the read command which can be set to 2, 4, or 8. The starting address of the burst read is defined by the column address (AY0 to AY8; the HM5425161B, AY0 to AY9; the HM5425801B, AY0 to AY9, AY11; the HM5425401B), the bank select address (BA0, BA1) which are loaded via the A0 to A12 and BA0, BA1 pins in the cycle when the read command is issued. The data output timing are characterized by CL (2 or 2.5) and  $t_{\text{AC}}$ . The read burst start  $\text{CL} \cdot t_{\text{CK}} + t_{\text{AC}}$  (ns) after the clock rising edge where the read command are latched. The DDR SDRAM output the data strobe through DQS or DQSU/DQSL simultaneously with data.  $t_{\text{RPRE}}$  prior to the first rising edge of the data strobe, the DQS or the DQSU/DQSL are driven Low from  $V_{\text{TT}}$  level. This low period of DQS is referred as read preamble. The burst data are output coincidentally at both the rising and falling edge of the data strobe. The DQ pins become High-Z in the next cycle after the burst read operation completed.  $t_{\text{RPST}}$  from the last falling edge of the data strobe, the DQS pins become High-Z. This low period of DQS is referred as read postamble.

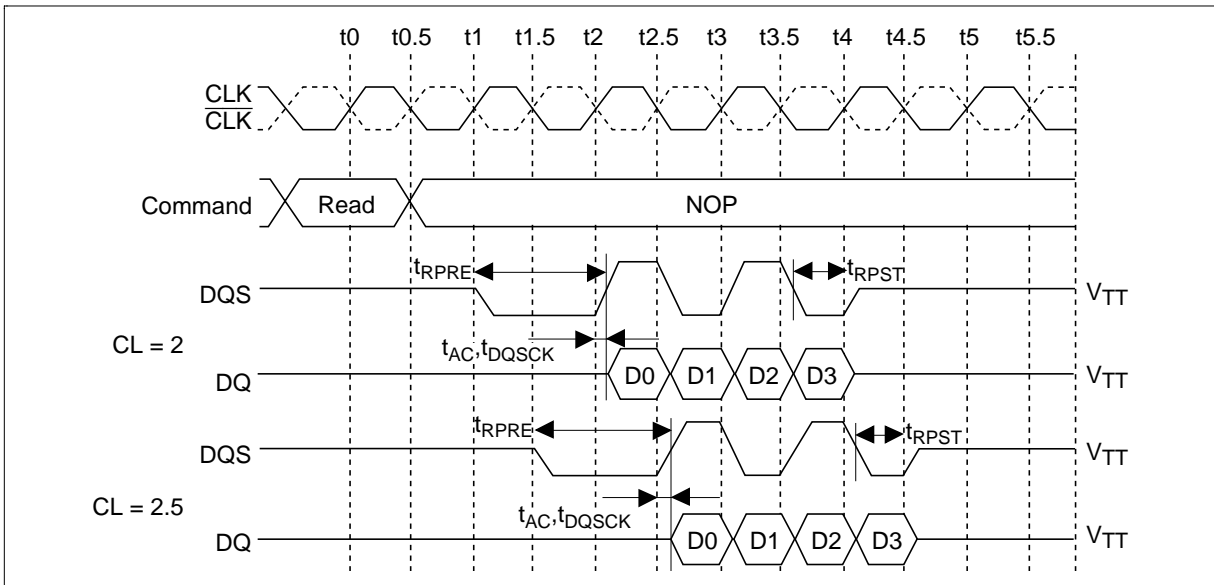
### Read Operation (Burst Length)





## HM5425161B, HM5425801B, HM5425401B Series

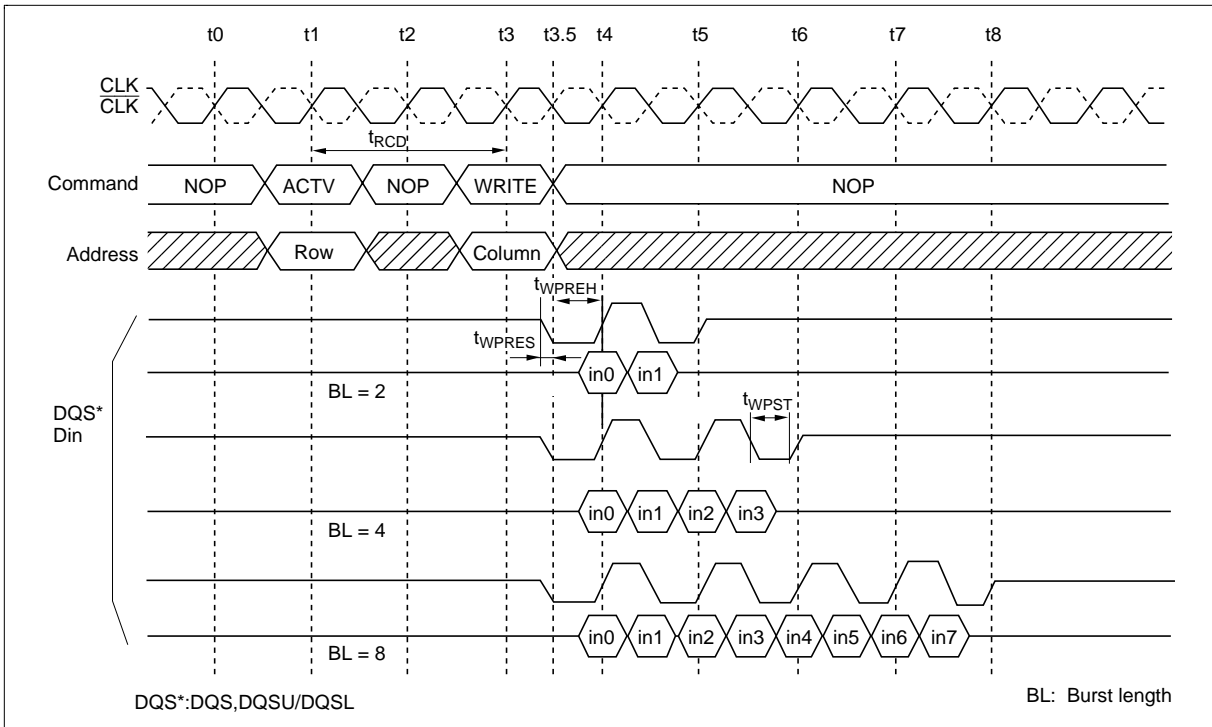
### Read Operation (CAS Latency)



## HM5425161B, HM5425801B, HM5425401B Series

**Write operation:** The burst length (BL) and the burst type (BT) of the mode register are referred when a write command is issued. The burst length (BL) determines the length of a sequential data input by the write command which can be set to 2, 4, or 8. The latency from write command to data input is fixed to 1. The starting address of the burst read is defined by the column address (AY0 to AY8; the HM5425161B, AY0 to AY9; the HM5425801B, AY0 to AY9, AY11; the HM5425401B), the bank select address (BA0/BA1) which are loaded via the A0 to A12, BA0 to BA1 pins in the cycle when the write command is issued. DQS, DQSU/DQSL should be input as the strobe for the input-data and DM, DMU/DML as well during burst operation.  $t_{WPREH}$  prior to the first rising edge of the DQS, the DQSU/DQSL should be set to Low and  $t_{WPST}$  after the last falling edge of the data strobe can be set to High-Z. The leading low period of DQS is referred as write preamble. The last low period of DQS is referred as write postamble.

### Write Operation

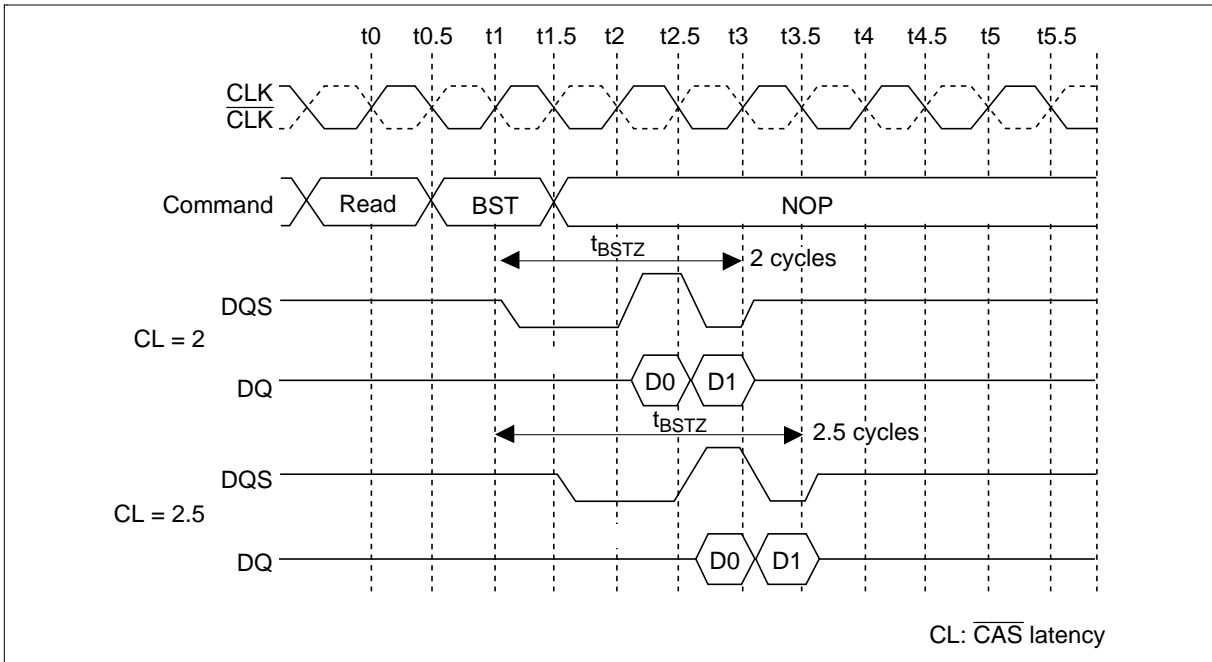


## HM5425161B, HM5425801B, HM5425401B Series

### Burst Stop

**Burst stop command during burst read:** The burst stop (BST) command is used to stop data output during a burst read. The BST command stops the burst read and sets the output buffer to High-Z.  $t_{BSTZ}$  ( $= CL$ ) cycles after a BST command issued, the DQ pins become High-Z. The BST command is not supported for the burst write operation. Note that bank address is not referred when this command is executed.

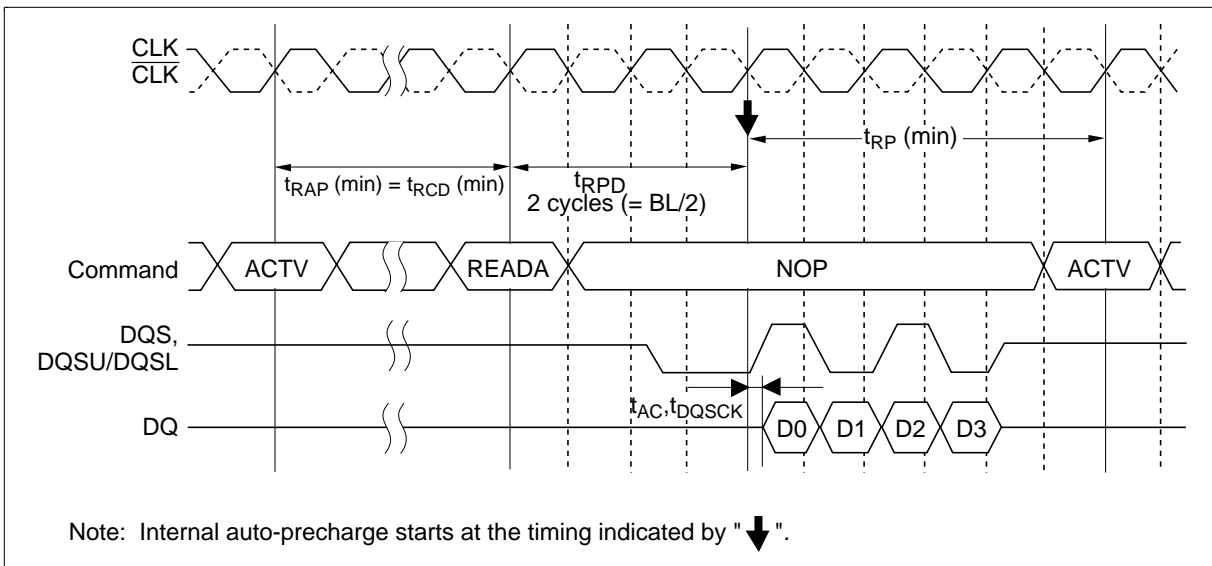
### Burst Stop during a Read Operation



## HM5425161B, HM5425801B, HM5425401B Series

### Auto Precharge

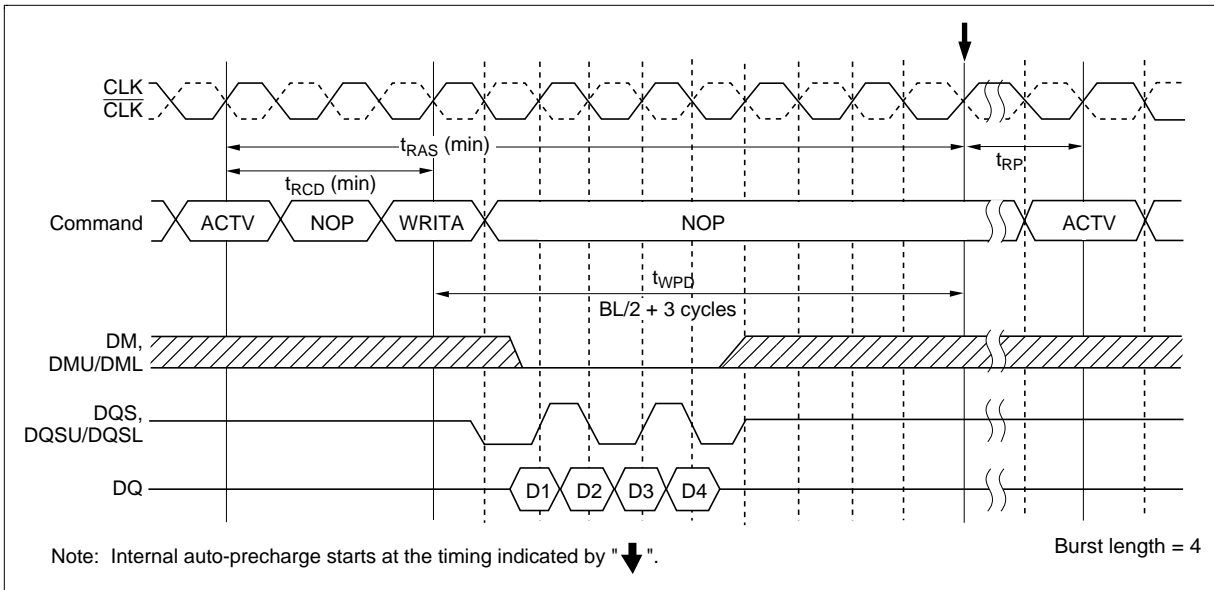
**Read with auto-precharge:** The precharge is automatically performed after completing a read operation. The precharge starts  $t_{RPD}$  (BL/2) cycle after READA command input.  $t_{RAP}$  specification for READA allows a read command with auto precharge to be issued to a bank that has been activated (opened) but has not yet satisfied the  $t_{RAS}(\min)$  specification. A column command to the other active bank can be issued at the next cycle after the last data output. Read with auto-precharge command does not limit row commands execution for other bank. Refer to the 'Read with Auto-Precharge Enabled, Write with Auto-Precharge Enabled' section.



## HM5425161B, HM5425801B, HM5425401B Series

**Write with auto-precharge:** The precharge is automatically performed after completing a burst write operation. The precharge operation is started  $t_{WPD}$  ( $= BL/2 + 3$ ) cycles after WRITA command issued.  $t_{RCD}$  for WRITA should be determined so that  $t_{RC}$  (ACTV to ACTV) spec. is obeyed when WRITA is issued successively after a bank active command, that is  $t_{RCD} (WRITA) \geq t_{RC}(\text{min.}) - t_{RP}(\text{min.}) - t_{WPD}$ . A column command to the other banks can be issued the next cycle after the internal precharge command issued. Write with auto-precharge command does not limit row commands execution for other bank. Refer to the 'Read with Auto-Precharge Enabled, Write with Auto-Precharge Enabled' section

### Burst Write (Burst Length = 4)



# HM5425161B, HM5425801B, HM5425401B Series

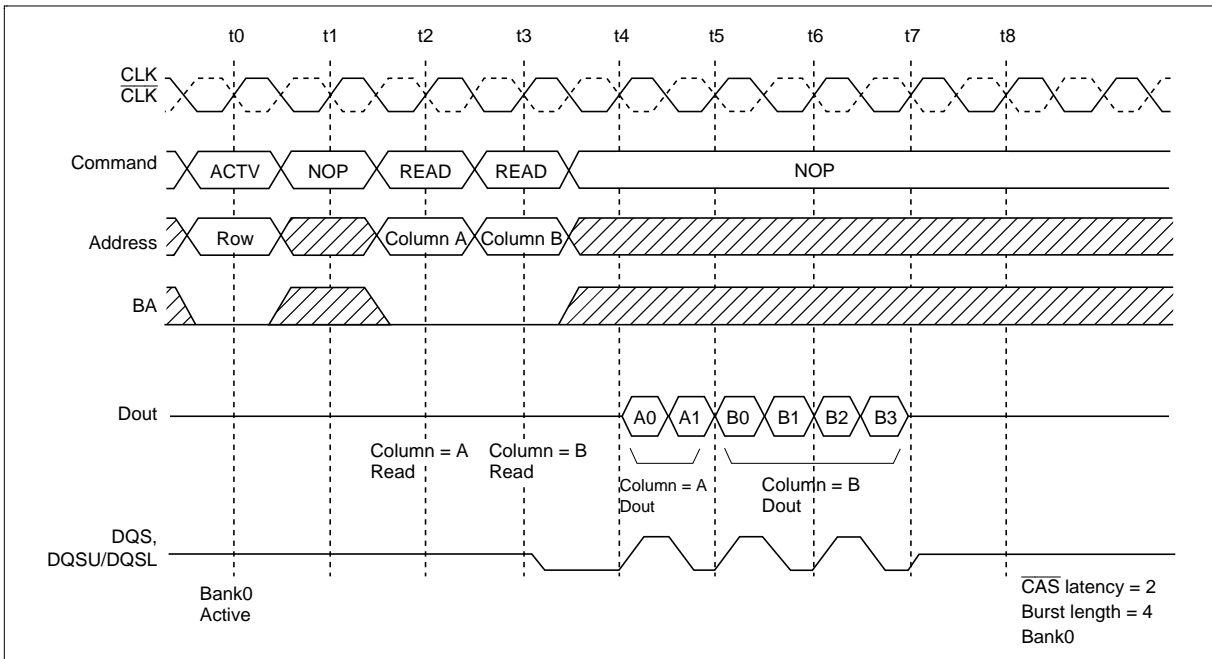
## Command Intervals

### A Read command to the consecutive Read command Interval

#### Destination row of the consecutive read command

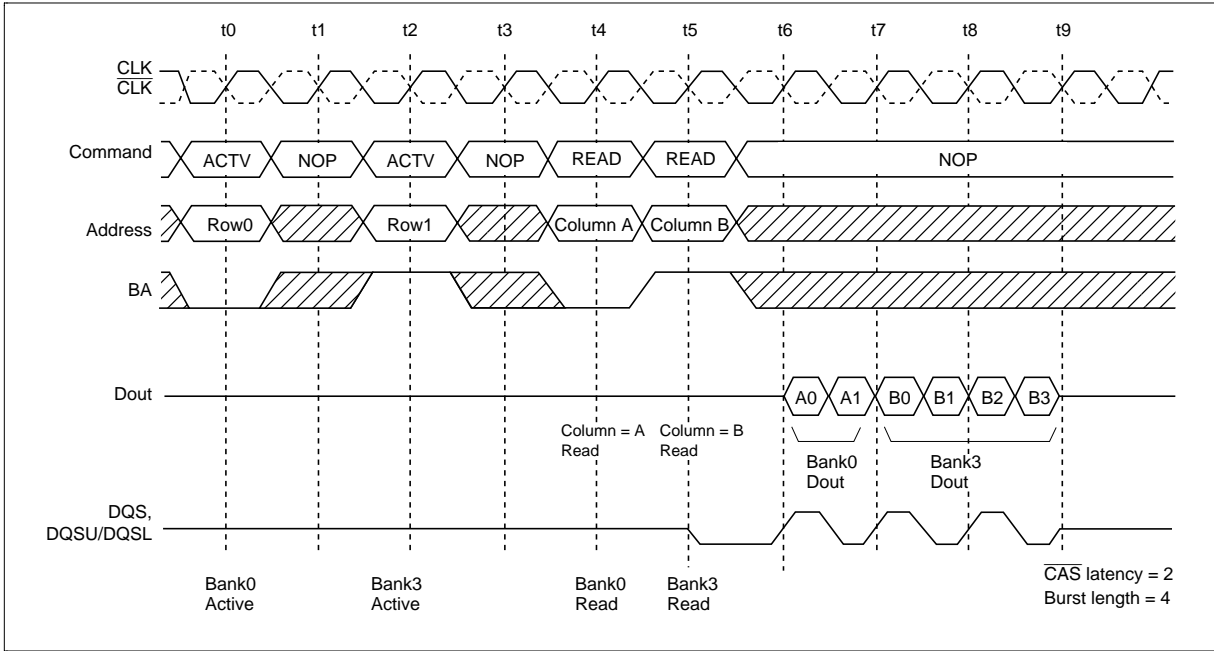
Bank address	Row address	State	Operation
1. Same	Same	ACTIVE	The consecutive read can be performed after an interval of no less than 1 cycle to interrupt the preceding read operation.
2. Same	Different	—	Precharge the bank to interrupt the preceding read operation. $t_{RP}$ after the precharge command, issue the ACTV command. $t_{RCD}$ after the ACTV command, the consecutive read command can be issued. See 'A read command to the consecutive precharge interval' section.
3. Different	Any	ACTIVE	The consecutive read can be performed after an interval of no less than 1 cycle to interrupt the preceding read operation.
		IDLE	Precharge the bank without interrupting the preceding read operation. $t_{RP}$ after the precharge command, issue the ACTV command. $t_{RCD}$ after the ACTV command, the consecutive read command can be issued.

### READ to READ Command Interval (same ROW address in the same bank)



# HM5425161B, HM5425801B, HM5425401B Series

## READ to READ Command Interval (different bank)



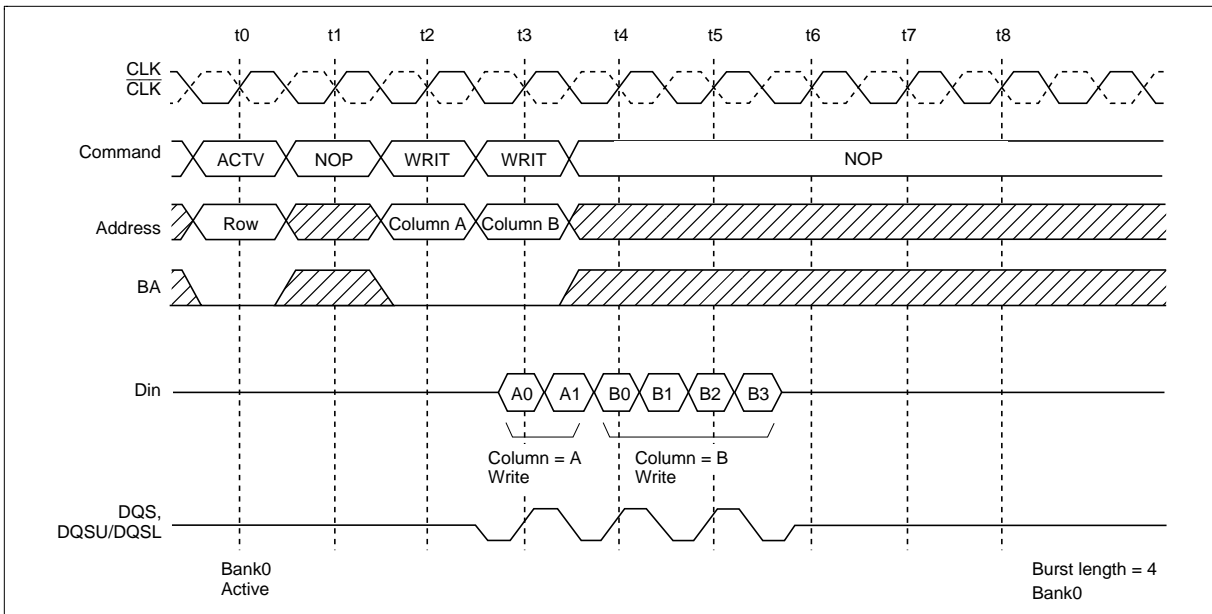
## HM5425161B, HM5425801B, HM5425401B Series

### A Write command to the consecutive Write command Interval:

#### Destination row of the consecutive write command

Bank address	Row address	State	Operation
1. Same	Same	ACTIVE	The consecutive write can be performed after an interval of no less than 1 cycle to interrupt the preceding write operation.
2. Same	Different	—	Precharge the bank to interrupt the preceding write operation. $t_{RP}$ after the precharge command, issue the ACTV command. $t_{RCD}$ after the ACTV command, the consecutive write command can be issued. See 'A write command to the consecutive precharge interval' section.
3. Different	Any	ACTIVE	The consecutive write can be performed after an interval of no less than 1 cycle to interrupt the preceding write operation.
		IDLE	Precharge the bank without interrupting the preceding write operation. $t_{RP}$ after the precharge command, issue the ACTV command. $t_{RCD}$ after the ACTV command, the consecutive write command can be issued.

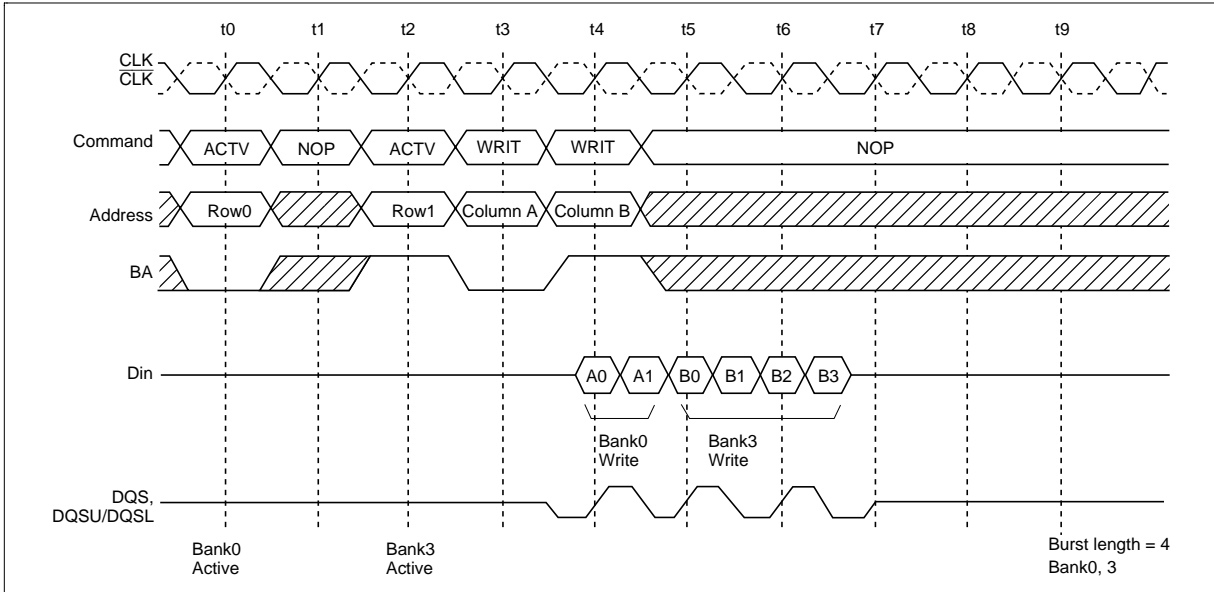
### WRITE to WRITE Command Interval (same ROW address in the same bank)





# HM5425161B, HM5425801B, HM5425401B Series

## WRITE to WRITE Command Interval (different bank)



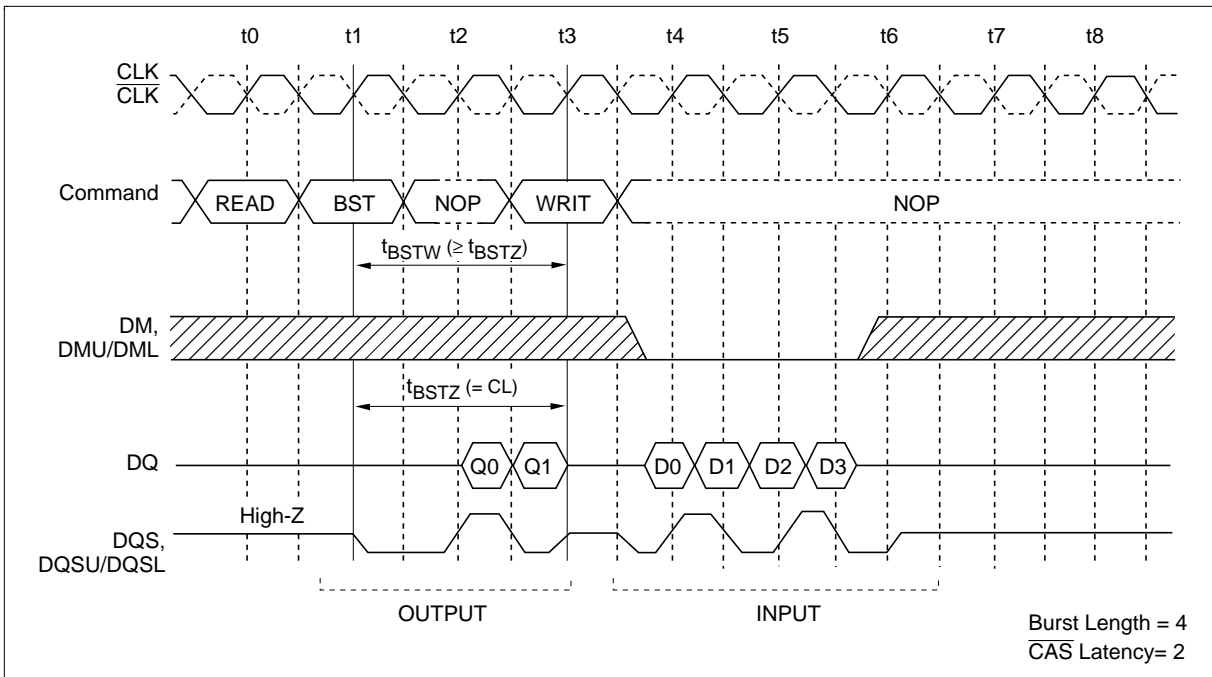
## HM5425161B, HM5425801B, HM5425401B Series

### A Read command to the consecutive Write command interval with the BST command

#### Destination row of the consecutive write command

Bank address	Row address	State	Operation
1. Same	Same	ACTIVE	Issue the BST command. $t_{BSTW} (\geq t_{BSTZ})$ after the BST command, the consecutive write command can be issued.
2. Same	Different	—	Precharge the bank to interrupt the preceding read operation. $t_{RP}$ after the precharge command, issue the ACTV command. $t_{RCD}$ after the ACTV command, the consecutive write command can be issued. See 'A read command to the consecutive precharge interval' section.
3. Different	Any	ACTIVE	Issue the BST command. $t_{BSTW} (\geq t_{BSTZ})$ after the BST command, the consecutive write command can be issued.
		IDLE	Precharge the bank independently of the preceding read operation. $t_{RP}$ after the precharge command, issue the ACTV command. $t_{RCD}$ after the ACTV command, the consecutive write command can be issued.

### READ to WRITE Command Interval



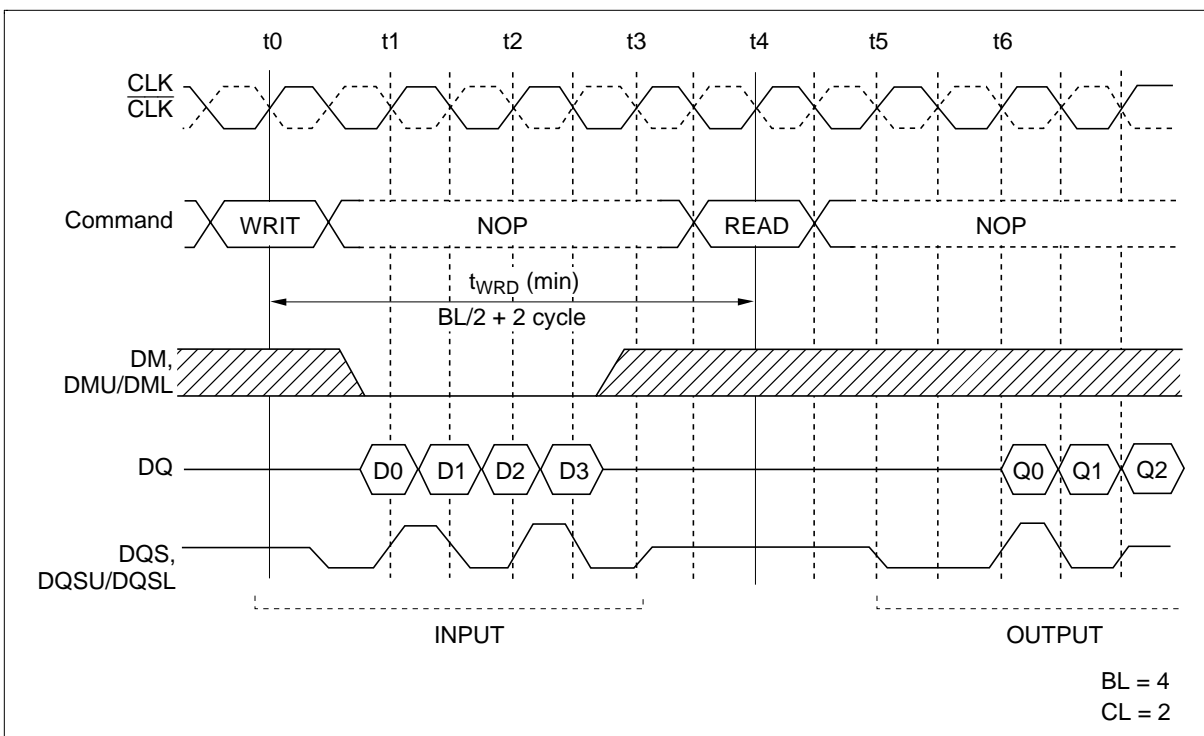
## HM5425161B, HM5425801B, HM5425401B Series

### A Write command to the consecutive Read command interval: To complete the burst operation

#### Destination row of the consecutive read command

Bank address	Row address	State	Operation
1. Same	Same	ACTIVE	To complete the burst operation, the consecutive read command should be performed $t_{WRD} (= BL/2 + 2)$ after the write command.
2. Same	Different	—	Precharge the bank $t_{WPD}$ after the preceding write command. $t_{RP}$ after the precharge command, issue the ACTV command. $t_{RCD}$ after the ACTV command, the consecutive read command can be issued. See 'A read command to the consecutive precharge interval' section.
3. Different	Any	ACTIVE	To complete a burst operation, the consecutive read command should be performed $t_{WRD} (= BL/2 + 2)$ after the write command.
		IDLE	Precharge the bank independently of the preceding write operation. $t_{RP}$ after the precharge command, issue the ACTV command. $t_{RCD}$ after the ACTV command, the consecutive read command can be issued.

### WRITE to READ Command Interval



## HM5425161B, HM5425801B, HM5425401B Series

### A Write command to the consecutive Read command interval: To interrupt the write operation

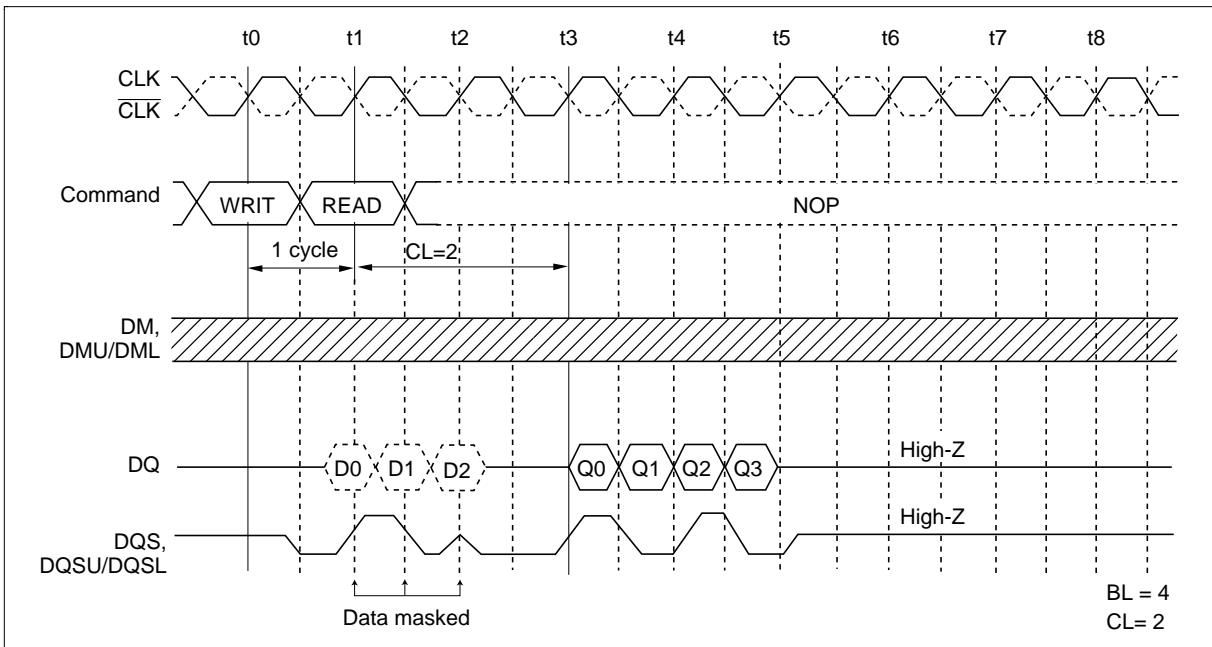
#### Destination row of the consecutive read command

Bank address	Row address	State	Operation
1. Same	Same	ACTIVE	DM, DMU/DML must be input 1 cycle prior to the read command input to prevent from being written invalid data. In case, the read command is input in the next cycle of the write command, DM, DMU/DML is not necessary.
2. Same	Different	—	—*1
3. Different	Any	ACTIVE	DM, DMU/DML must be input 1 cycle prior to the read command input to prevent from being written invalid data. In case, the read command is input in the next cycle of the write command, DM, DMU/DML is not necessary.
		IDLE	—*1

Note: 1. Precharge must be preceded to read command. Therefore read command can not interrupt the write operation in this case.

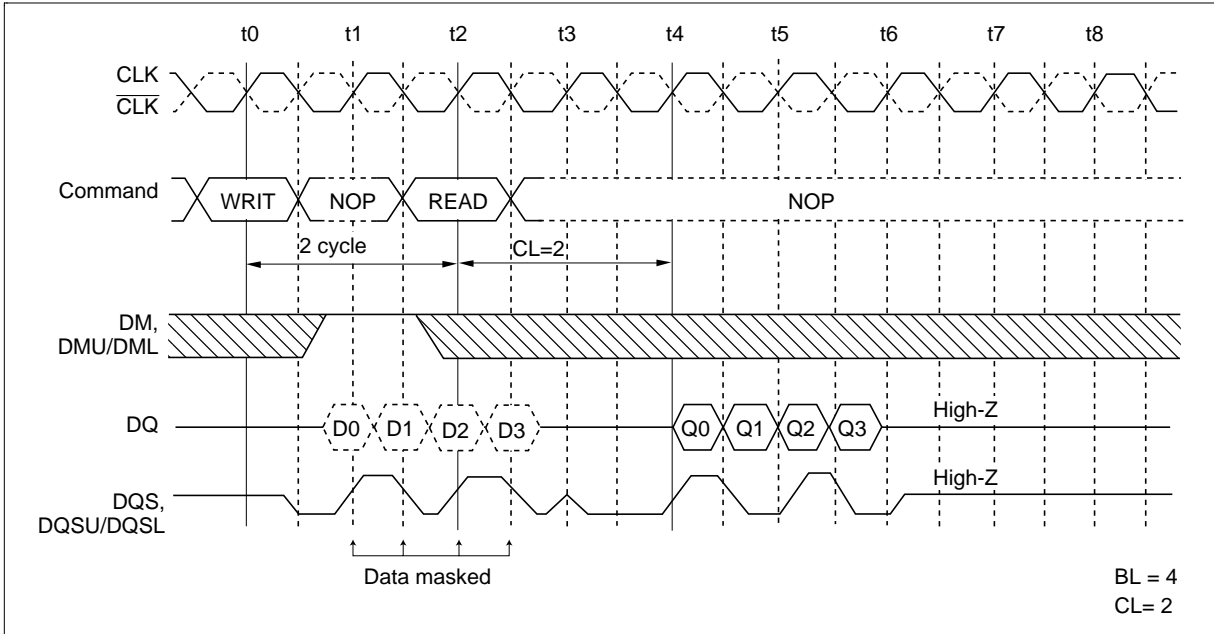
### WRITE to READ Command Interval (Samebank, same ROW address)

[WRITE to READ delay = 1 clock cycle]

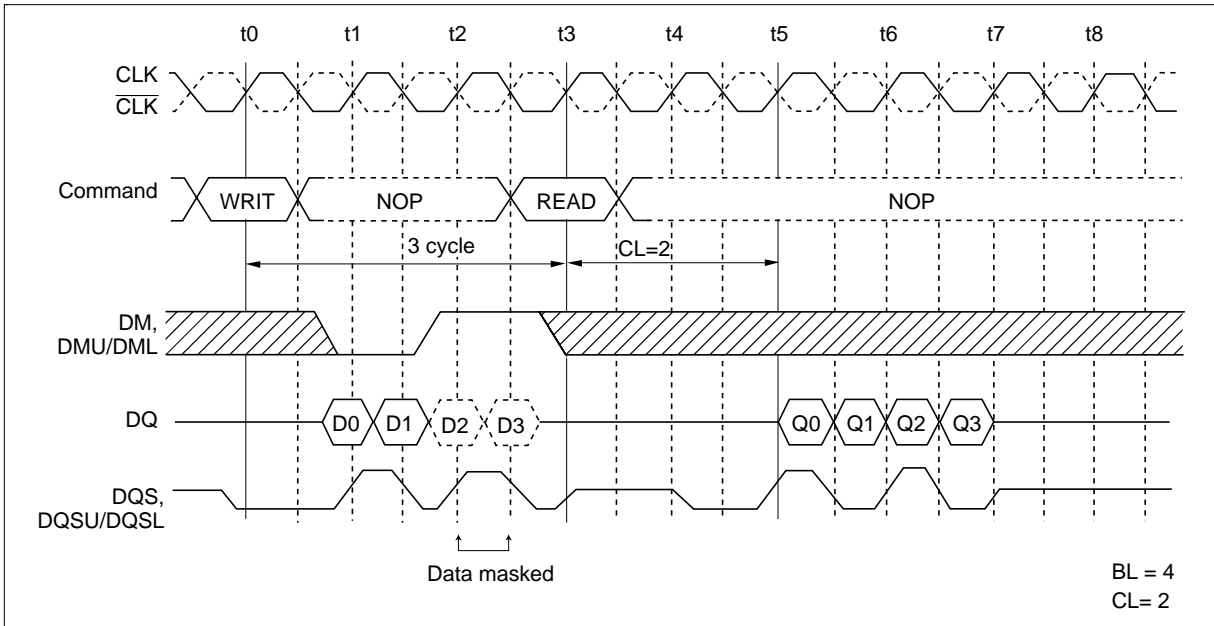


# HM5425161B, HM5425801B, HM5425401B Series

[WRITE to READ delay = 2 clock cycle]



[WRITE to READ delay = 3 clock cycle]



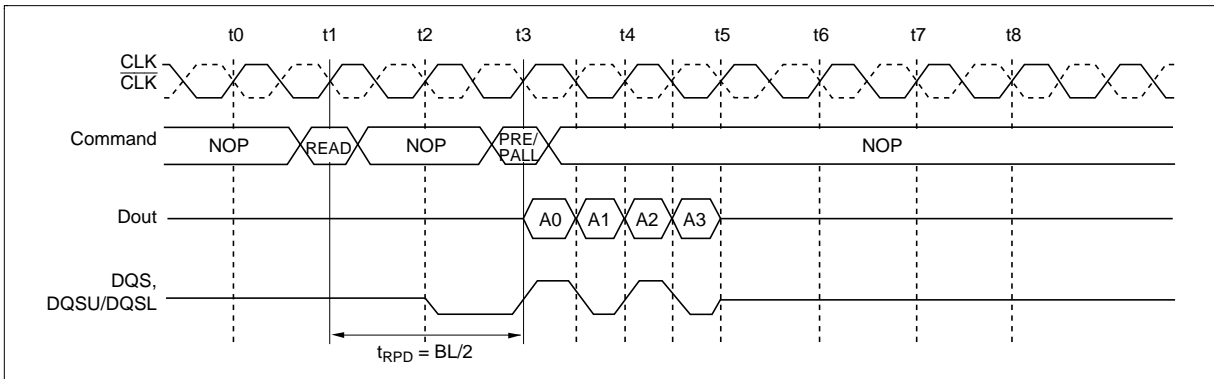
## HM5425161B, HM5425801B, HM5425401B Series

**A Read command to the consecutive Precharge command interval (same bank):**

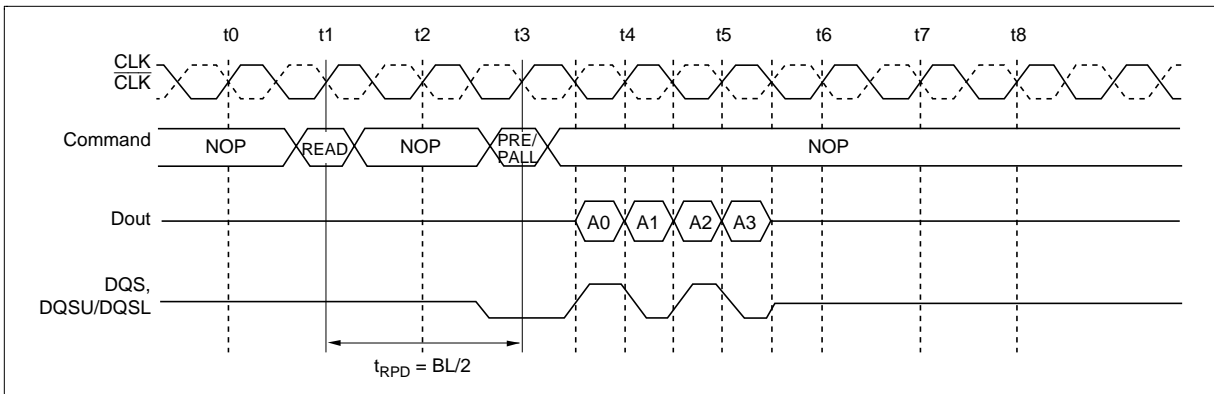
**To output all data:** To complete a burst read operation and get a burst length of data, the consecutive precharge command must be issued  $t_{RPD} (= BL/2 \text{ cycles})$  after the read command is issued.

**READ to PRECHARGE Command Interval (same bank): To output all data**

$\overline{\text{CAS}}$  Latency = 2, Burst Length = 4



$\overline{\text{CAS}}$  Latency = 2.5, Burst Length = 4

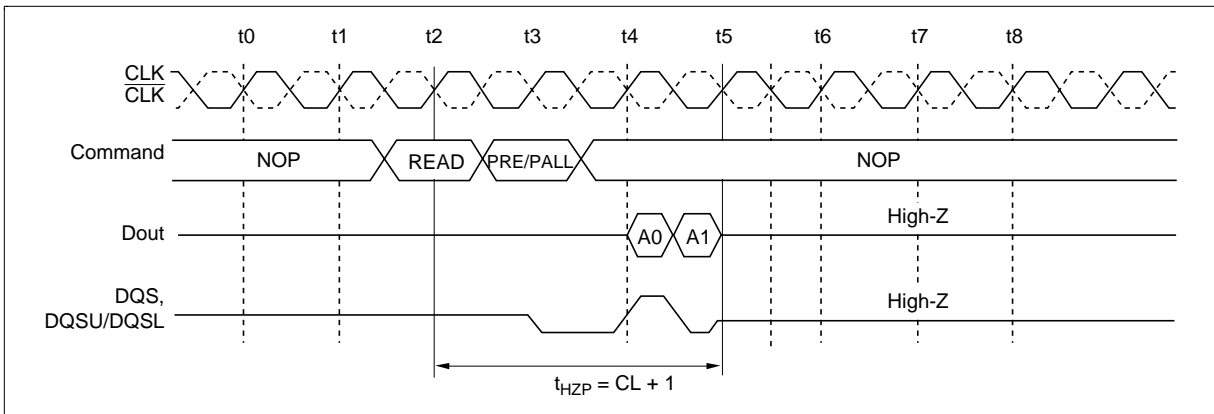


## HM5425161B, HM5425801B, HM5425401B Series

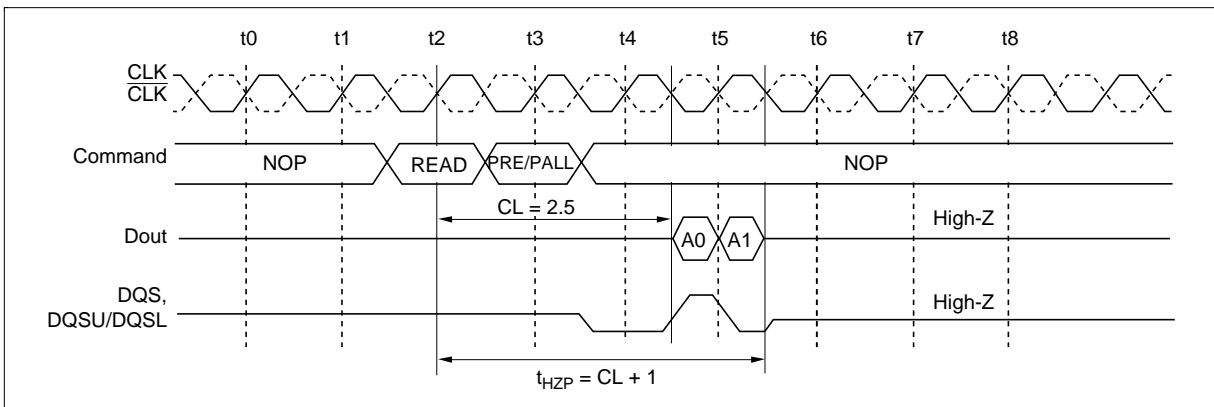
### READ to PRECHARGE Command Interval (same bank): To stop output data

A burst data output can be interrupted with a precharge command. All DQ pins and DQS pins become High-Z  $t_{HZP} (= CL)$  after the precharge command.

**CAS Latency = 2, Burst Length = 2, 4, 8**



**CAS Latency = 2.5, Burst Length = 2, 4, 8**

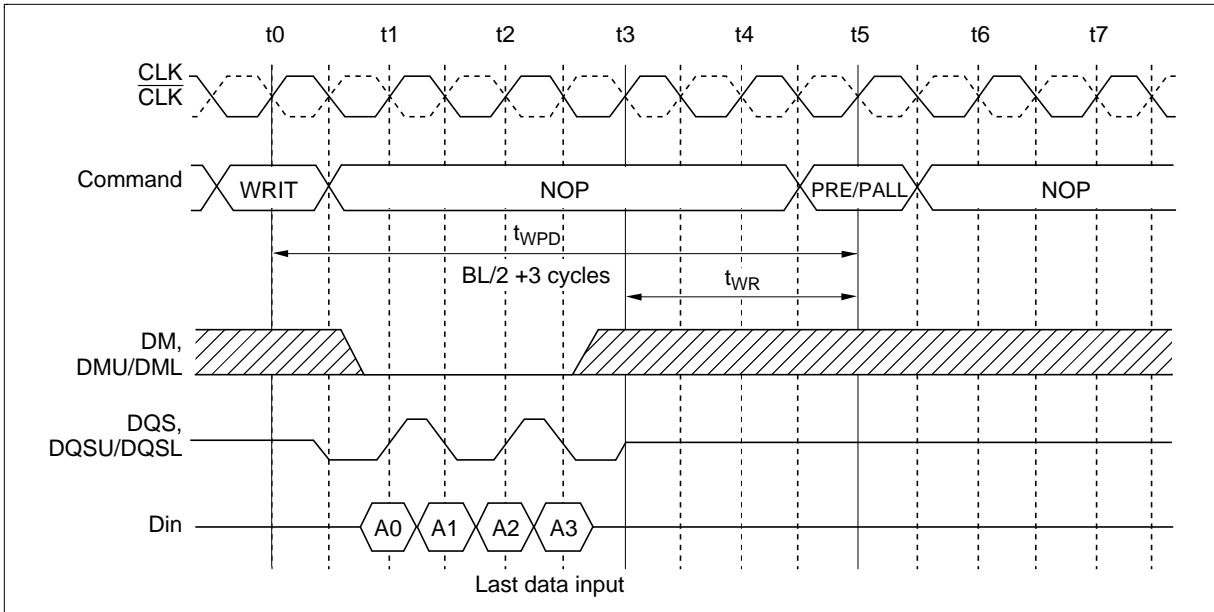


## HM5425161B, HM5425801B, HM5425401B Series

**A Write command to the consecutive Precharge command interval (same bank):** The minimum interval  $t_{WPD}$  ( $(BL/2 + 3)$  cycles) is necessary between the write command and the precharge command.

### WRITE to PRECHARGE Command Interval (same bank)

Burst Length = 4





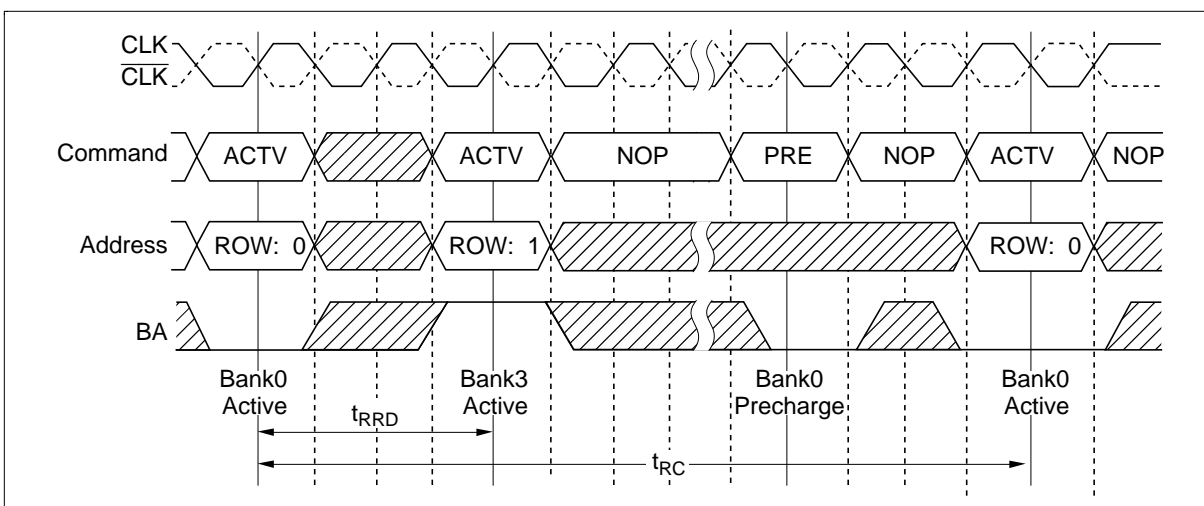
## HM5425161B, HM5425801B, HM5425401B Series

### Bank active command interval:

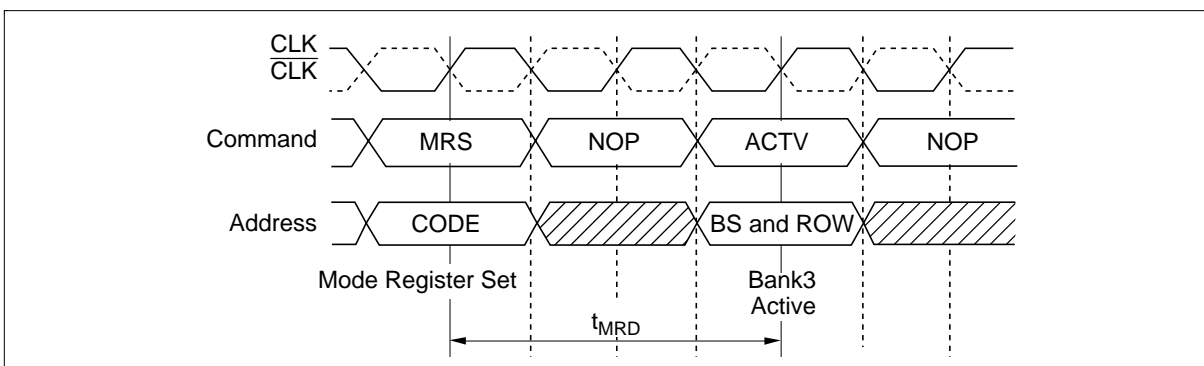
#### Destination row of the consecutive ACTV command

Bank address	Row address	State	Operation
1. Same	Any	ACTIVE	Two successive ACTV commands can be issued at $t_{RC}$ interval. In between two successive ACTV operations, precharge command should be executed.
2. Different	Any	ACTIVE	Precharge the bank. $t_{RP}$ after the precharge command, the consecutive ACTV command can be issued.
		IDLE	$t_{RRD}$ after an ACTV command, the next ACTV command can be issued.

### Bank Active to Bank Active



**Mode register set to Bank-active command interval:** The interval between setting the mode register and executing a bank-active command must be no less than  $t_{MRD}$ .



---

## HM5425161B, HM5425801B, HM5425401B Series

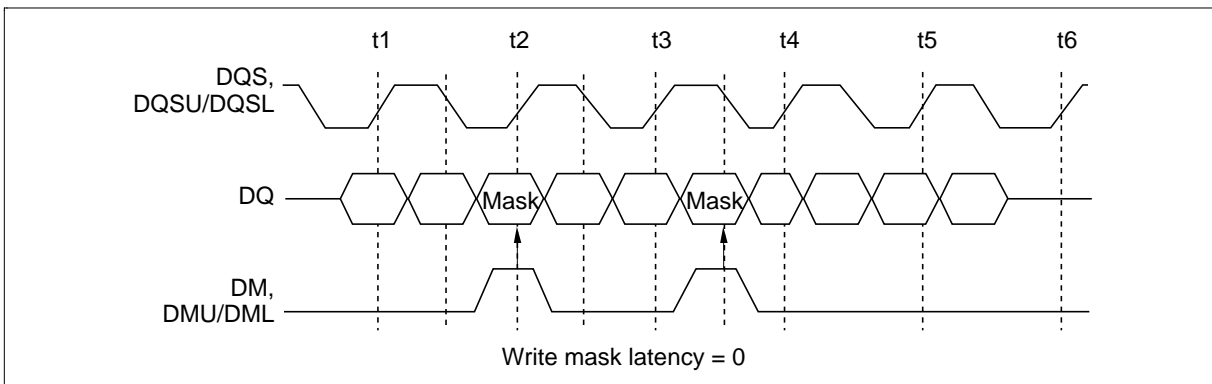
---

### DMU/DML Control (HM5425161B)

DMU can mask upper byte of input data. DML can mask lower byte of input data. By setting DMU/DML to Low, data can be written. When DMU/DML is set to High, the corresponding data is not written, and the previous data is held. The latency between DMU/DML input and enabling/disabling mask function is 0.

### DM Control (HM5425801B/HM5425401B)

DM can mask input data. By setting DM to Low, data can be written. When DM is set to High, the corresponding data is not written, and the previous data is held. The latency between DM input and enabling/disabling mask function is 0.



## HM5425161B, HM5425801B, HM5425401B Series

### Absolute Maximum Ratings

Parameter	Symbol	Value	Unit	Note
Supply voltage relative to $V_{SS}$	$V_{CC}, V_{CCQ}$	-1.0 to +3.6	V	
Voltage on inputs pin relative to $V_{SS}$	$V_{ti}$	-1.0 to +3.6	V	
Voltage on I/O pins relative to $V_{SS}$	$V_{Tio}$	-0.5 to +3.6	V	
Short circuit output current	$I_{out}$	50	mA	
Power dissipation	$P_T$	1.0	W	
Operating temperature	$T_{opr}$	0 to +70	°C	
Storage temperature	$T_{stg}$	-55 to +125	°C	

### DC Operating Conditions ( $T_a = 0$ to +70°C)

Parameter	Symbol	Min	Typ	Max	Unit	Notes
Supply voltage	$V_{CC}, V_{CCQ}$	2.3	2.5	2.7	V	1, 2
	$V_{SS}, V_{SSQ}$	0	0	0	V	
Input reference voltage	$V_{REF}(DC)$	$0.5 \times V_{CCQ} - 0.05$	$0.5 \times V_{CCQ}$	$0.5 \times V_{CCQ} + 0.05$	V	1
Termination voltage	$V_{TT}$	$V_{REF} - 0.04$	$V_{REF}$	$V_{REF} + 0.04$	V	1
DC Input high voltage	$V_{IH}(DC)$	$V_{REF} + 0.15$	—	$V_{CCQ} + 0.3$	V	1, 3, 8
DC Input low voltage	$V_{IL}(DC)$	-0.3	—	$V_{REF} - 0.15$	V	1, 4, 8
DC Input signal voltage (CLK, /CLK)	$V_{IN}(DC)$	-0.3	—	$V_{CCQ} + 0.3$	V	5
DC differential input voltage (CLK, /CLK)	$V_{ID}(DC)$	0.36	—	$V_{CCQ} + 0.6$	V	6, 7

- Notes:
- All parameters are referred to  $V_{SS}$ , when measured.
  - $V_{CCQ}$  must be lower than or equal to  $V_{CC}$ .
  - $V_{IH}$  is allowed to exceed  $V_{CC}$  up to 3.6 V for the period shorter than or equal to 5 ns.
  - $V_{IL}$  is allowed to outreach below  $V_{SS}$  down to -1.0 V for the period shorter than or equal to 5 ns.
  - $V_{IN}(dc)$  specifies the allowable dc execution of each differential input.
  - $V_{ID}(dc)$  specifies the input differential voltage required for switching.
  - $V_{IH}(CLK)$  min assumed over  $V_{REF} + 0.15$  V,  $V_{IL}(CLK)$  max assumed under  $V_{REF} - 0.15$  V.
  - $V_{IH}(DC)$  and  $V_{IL}(DC)$  are levels to maintain the current logic state.

---

## HM5425161B, HM5425801B, HM5425401B Series

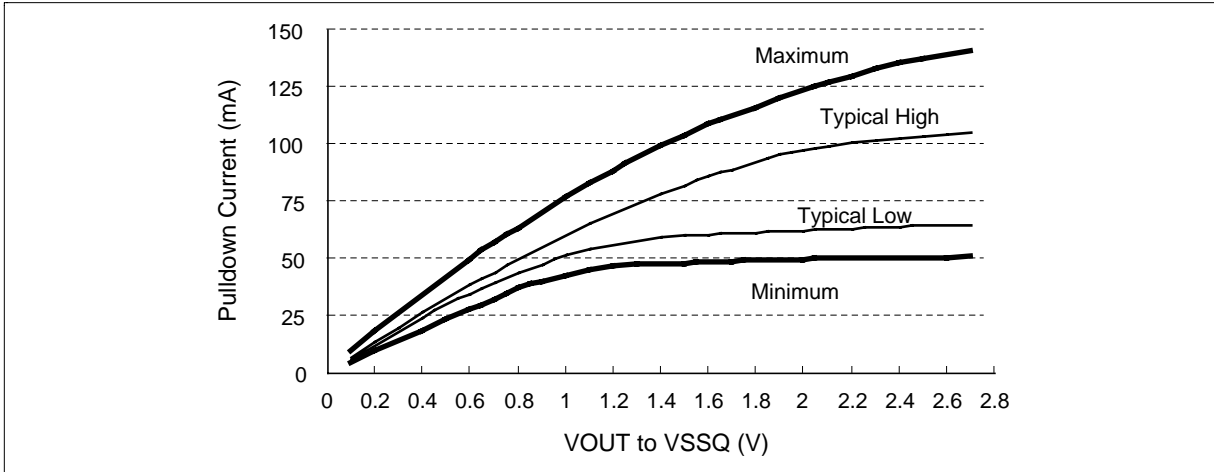
---

**DC Characteristics 1** ( $T_a = 0$  to  $+70^\circ\text{C}$ ,  $V_{CC}, V_{CCQ} = 2.5\text{ V} \pm 0.2\text{ V}$ ,  $V_{SS}, V_{SSQ} = 0\text{ V}$ )

Parameter	Symbol	Min	Max	Unit	Test conditions	Notes
Input leakage current	$I_{LI}$	-2	2	$\mu\text{A}$	$V_{CC} \geq V_{in} \geq V_{SS}$	
Output leakage current	$I_{LO}$	-5	5	$\mu\text{A}$	$V_{CCQ} \geq V_{out} \geq V_{SSQ}$	
Output high voltage	$V_{OH}$	1.95	—	V	$I_{OH}(\text{max}) = -15.2\text{ mA}$	
Output low voltage	$V_{OL}$	—	0.35	V	$I_{OL}(\text{min}) = 15.2\text{ mA}$	

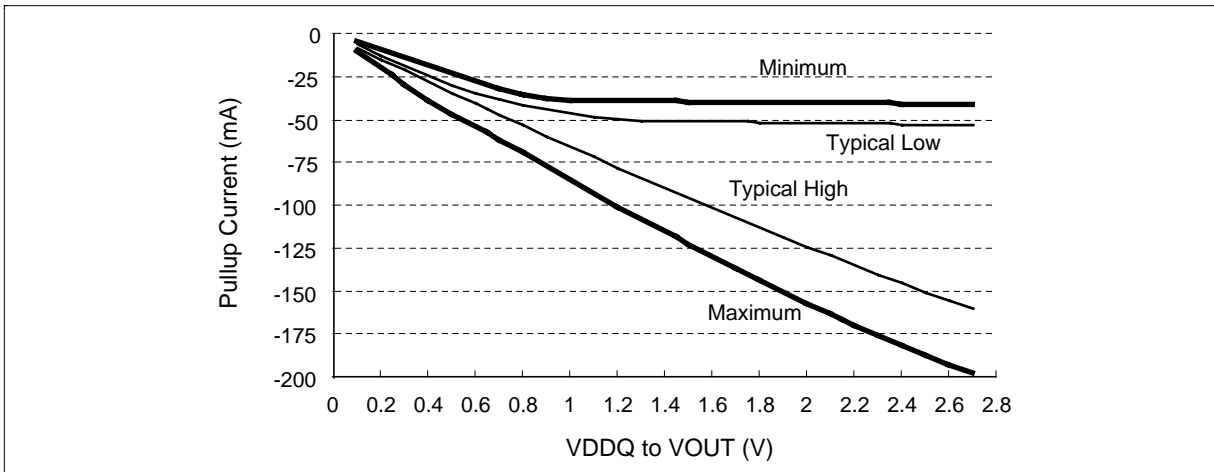
**Data Driver Output Characteristic Curves**

1. The full variation in driver pulldown current from minimum to maximum temperature and voltage will lie within the outer bounding lines of the V-I curve of the figure “Pull-down Characteristics”.



**Pull-down Characteristics**

2. The full variation in driver pullup current from minimum to maximum temperature and voltage will lie within the outer bounding lines of the V-I curve of the figure “Pull-up Characteristics”.



**Pull-up Characteristics**

5. The full variation in the ratio of the maximum to minimum pullup and pulldown current will not exceed 1.7 for device drain to source voltages from 0.1 to 1.0.
6. The full variation in the ratio of the typical IBIS pullup to typical IBIS pulldown current should be unity  $\pm 10\%$ , for device drain to source voltages from 0.1 to 1.0. This specification is a design objective only.
7. These characteristics obey the SSTL\_2 class II standard.

## HM5425161B, HM5425801B, HM5425401B Series

### Data Driver Output Characteristic V-I data points

#### Evaluation Conditions

- Typical: Ta = 25°C, V<sub>CCQ</sub> = 2.5 V
- Minimum: Ta = 70°C, V<sub>CCQ</sub> = 2.3 V
- Maximum: Ta = 0°C, V<sub>CCQ</sub> = 2.7 V

Voltage (V)	Pull-down current (mA)				Pull-up current (mA)			
	Typical Low	Typical High	Minimum	Maximum	Typical Low	Typical High	Minimum	Maximum
0.1	6.0	6.8	4.6	9.6	-6.1	-7.6	-4.6	-10.0
0.2	12.2	13.5	9.2	18.2	-12.2	-14.5	-9.2	-20.0
0.3	18.1	20.1	13.8	26.0	-18.1	-21.2	-13.8	-29.8
0.4	24.1	26.6	18.4	33.9	-24.0	-27.7	-18.4	-38.8
0.5	29.8	33.0	23.0	41.8	-29.8	-34.1	-23.0	-46.8
0.6	34.6	39.1	27.7	49.4	-34.3	-40.5	-27.7	-54.4
0.7	39.4	44.2	32.2	56.8	-38.1	-46.9	-32.2	-61.8
0.8	43.7	49.8	36.8	63.2	-41.1	-53.1	-36.0	-69.5
0.9	47.5	55.2	39.6	69.9	-43.8	-59.4	-38.2	-77.3
1	51.3	60.3	42.6	76.3	-46.0	-65.5	-38.7	-85.2
1.1	54.1	65.2	44.8	82.5	-47.8	-71.6	-39.0	-93.0
1.2	56.2	69.9	46.2	88.3	-49.2	-77.6	-39.2	-100.6
1.3	57.9	74.2	47.1	93.8	-50.0	-83.6	-39.4	-108.1
1.4	59.3	78.4	47.4	99.1	-50.5	-89.7	-39.6	-115.5
1.5	60.1	82.3	47.7	103.8	-50.7	-95.5	-39.9	-123.0
1.6	60.5	85.9	48.0	108.4	-51.0	-101.3	-40.1	-130.4
1.7	61.0	89.1	48.4	112.1	-51.1	-107.1	-40.2	-136.7
1.8	61.5	92.2	48.9	115.9	-51.3	-112.4	-40.3	-144.2
1.9	62.0	95.3	49.1	119.6	-51.5	-118.7	-40.4	-150.5
2	62.5	97.2	49.4	123.3	-51.6	-124.0	-40.5	-156.9
2.1	62.9	99.1	49.6	126.5	-51.8	-129.3	-40.6	-163.2
2.2	63.3	100.9	49.8	129.5	-52.0	-134.6	-40.7	-169.6
2.3	63.8	101.9	49.9	132.4	-52.2	-139.9	-40.8	-176.0
2.4	64.1	102.8	50.0	135.0	-52.3	-145.2	-40.9	-181.3
2.5	64.6	103.8	50.2	137.3	-52.5	-150.5	-41.0	-187.6
2.6	64.8	104.6	50.4	139.2	-52.7	-155.3	-41.1	-192.9
2.7	65.0	105.4	50.5	140.8	-52.8	-160.1	-41.2	-198.2

## HM5425161B, HM5425801B, HM5425401B Series

**DC Characteristics 2\*<sup>1</sup>** ( $T_a = 0$  to  $+70^\circ\text{C}$ ,  $V_{CC}$ ,  $V_{CCQ} = 2.5 \text{ V} \pm 0.2 \text{ V}$ ,  $V_{SS}$ ,  $V_{SSQ} = 0 \text{ V}$ )

Parameter	Symbol	I/O	Max			Unit
			-75A	-75B	-10	
Operating current (ACTV-PRE)	$I_{CC0}$		100	95	80	mA
Operating current (ACTV-READ-PRE)	$I_{CC1}$		155	145	130	mA
Idle power down standby current	$I_{CC2P}$		18	15	12	mA
Idle standby current	$I_{CC2N}$		40	35	30	mA
Active power down standby current	$I_{CC3P}$		25	20	15	mA
Active standby current	$I_{CC3N}$		50	45	40	mA
Operating current (Burst read operation)	$I_{CC4R}$	$\times 4, \times 8$	225	215	205	mA
		$\times 16$	255	245	235	
Operating current (Burst write operation)	$I_{CC4W}$	$\times 4, \times 8$	205	195	185	mA
		$\times 16$	240	230	220	
Auto Refresh current	$I_{CC5}$		205	200	180	mA
Self refresh current	$I_{CC6}$		3	3	3	mA
Random read current	$I_{CC7A}$	$\times 4, \times 8$	330	320	310	mA
		$\times 16$	360	350	340	

Notes: 1. These  $I_{CC}$  data are measured under condition that DQ pins are not connected.

## HM5425161B, HM5425801B, HM5425401B Series

### ICC Measurement Condition

Parameter	Symbol	Condition
Operating current (ACTV-PRE)	$I_{CC0}$	One Bank ; $CKE \geq V_{IH}(\min)$ , $t_{RC} = t_{RC}(\min)$ ; $t_{CK} = t_{CK}(\min)$ ; DQ, DM and DQS inputs changing twice per clock cycle; address and control inputs changing once per clock cycle
Operating current (ACTV-READ-PRE)	$I_{CC1}$	One Bank; $CKE \geq V_{IH}(\min)$ ; Burst = 2; $t_{RC} = t_{RC}(\min)$ ; CL = 2.5; $t_{CK} = t_{CK}(\min)$ ; Iout = 0 mA; address and control inputs changing once per clock cycle
Idle power down standby current	$I_{CC2P}$	All banks idle; power down mode; $CKE \leq V_{IL}(\max)$ ; $t_{CK} = t_{CK}(\min)$ . $V_{in} = V_{REF}$ for DQ, DQS and DM
Idle standby current	$I_{CC2N}$	All banks idle; $\overline{CS} \geq V_{IH}(\min)$ ; $CKE \geq V_{IH}(\min)$ ; $t_{CK} = t_{CK}(\min)$ ; Address and other control inputs changing once per clock cycle. $V_{in} \geq V_{IH}(\min)$ or $V_{in} \leq V_{IL}(\max)$ for DQ, DQS and DM.
Active power down standby current	$I_{CC3P}$	One bank active; power down mode; $CKE \leq V_{IL}(\max)$ ; $t_{CK} = t_{CK}(\min)$
Active standby current	$I_{CC3N}$	One bank; Active Precharge; $\overline{CS} \geq V_{IH}(\min)$ ; $CKE \geq V_{IH}(\min)$ ; $t_{RC} = t_{RAS}(\max)$ ; $t_{CK} = t_{CK}(\min)$ ; DQ,DM and DQS inputs changing twice per clock cycle; address and other control inputs changing once per clock cycle
Operating current (Burst read operation)	$I_{CC4R}$	One bank active ; $CKE \geq V_{IH}(\min)$ ; Burst = 2; Reads; Continuous burst; address and control inputs changing once per clock cycle; CL = 2.5; $t_{CK} = t_{CK}(\min)$ ; Iout = 0 mA;
Operating current (Burst write operation)	$I_{CC4W}$	One bank active; $CKE \geq V_{IH}(\min)$ ; Burst = 2; Writes; Continuous burst; address and control inputs changing once per clock cycle; CL = 2.5; $t_{CK} = t_{CK}(\min)$ ; DQ, DM and DQS inputs changing twice per clock cycle
Auto refresh current	$I_{CC5}$	$t_{RC} = t_{RFC}(\min)$ ; $V_{in} \leq V_{IL}(\max)$ or $\geq V_{IH}(\min)$
Self refresh current	$I_{CC6}$	$CKE \leq 0.2 V$ , $V_{in} \leq 0.2V$ or $\geq V_{CCQ} - 0.2V$
Random read current	$I_{CC7A}$	4 banks active read with activate every 2 clocks, AP (Auto Precharge) read every 2 clocks, BL = 4, $t_{RCD} = 3$ , Iout = 0 mA, 100% DQ, DM and DQS inputs changing twice per clock cycle; 100% addresses changing once per clock cycle.



---

## HM5425161B, HM5425801B, HM5425401B Series

---

**Capacitance** ( $T_a = 25^\circ\text{C}$ ,  $V_{CC}, V_{CCQ} = 2.5\text{ V} \pm 0.2\text{ V}$ )

Parameter	Symbol	Min	Max	Unit	Notes
Input capacitance (CLK, $\overline{\text{CLK}}$ )	$C_{I1}$	2	3	pF	1
Input capacitance (input only pins; including CKE but not including CLK, $\overline{\text{CLK}}$ )	$C_{I2}$	2	3	pF	1
Input/output capacitance (DQ, DM, DQS)	$C_{IO}$	4	5	pF	1, 2
Delta input /output capacitance (DQ, DM, DQS)	$C_{IOD}$	—	0.5	pF	1
Delta input capacitance (CLK, $\overline{\text{CLK}}$ only)	$C_{ID}$	—	0.25	pF	1

Notes: 1. These parameters are measured on conditions:  $f = 100\text{ MHz}$ ,  $V_{out} = V_{CCQ}/2$ ,  $\Delta V_{out} = 0.2\text{ V}$ .  
2. Dout circuits are disabled.

## HM5425161B, HM5425801B, HM5425401B Series

AC Characteristics (Ta = 0 to +70°C, V<sub>CC</sub>, V<sub>CCQ</sub> = 2.5 V ± 0.2 V, V<sub>SS</sub>, V<sub>SSQ</sub> = 0 V)

Parameter	Symbol	HM5425161B/HM542581B/HM5425401B						Unit	Notes
		-75A		-75B		-10			
		Min	Max	Min	Max	Min	Max		
Clock cycle time (CAS latency = 2)	t <sub>CK</sub>	7.5	12	10	12	10	12	ns	10
(CAS latency = 2.5)	t <sub>CK</sub>	7	12	7.5	12	8	12	ns	
Input clock high level time	t <sub>CH</sub>	0.45	0.55	0.45	0.55	0.45	0.55	t <sub>CK</sub>	
Input clock low level time	t <sub>CL</sub>	0.45	0.55	0.45	0.55	0.45	0.55	t <sub>CK</sub>	
CLK half period	t <sub>HP</sub>	min (t <sub>CH</sub> , t <sub>CL</sub> )	—	min (t <sub>CH</sub> , t <sub>CL</sub> )	—	min (t <sub>CH</sub> , t <sub>CL</sub> )	—	t <sub>CK</sub>	
CLK to DQS skew	t <sub>DQSCK</sub>	-0.75	0.75	-0.75	0.75	-0.8	0.8	ns	2, 11
DATA to CLK skew	t <sub>AC</sub>	-0.75	0.75	-0.75	0.75	-0.8	0.8	ns	2, 11
Dout to DQS skew	t <sub>DQSQ</sub>	—	0.5	—	0.5	—	0.6	ns	3
DQ/DQS output skew hold time	t <sub>QH</sub>	t <sub>HP</sub> - t <sub>QHS</sub>	—	t <sub>HP</sub> - t <sub>QHS</sub>	—	t <sub>HP</sub> - t <sub>QHS</sub>	—	t <sub>CK</sub>	
Data hold skew factor	t <sub>QHS</sub>	—	0.75	—	0.75	—	1.0	ns	
Dout/DQS valid window	t <sub>DV</sub>	0.35	—	0.35	—	0.35	—	t <sub>CK</sub>	
DQS valid window	t <sub>DQSV</sub>	0.35	—	0.35	—	0.35	—	t <sub>CK</sub>	
DQS read preamble	t <sub>RPRE</sub>	0.9	1.1	0.9	1.1	0.9	1.1	t <sub>CK</sub>	
DQS read postamble	t <sub>RPST</sub>	0.4	0.6	0.4	0.6	0.4	0.6	t <sub>CK</sub>	
Dout-High impedance delay from CLK/CLK	t <sub>HZ</sub>	-0.75	0.75	-0.75	0.75	-0.8	0.8	ns	5, 11
Dout-Low impedance delay from CLK/CLK	t <sub>LZ</sub>	-0.75	0.75	-0.75	0.75	-0.8	0.8	ns	6, 11
DQ and DM input pulse width	t <sub>DIPW</sub>	1.75	—	1.75	—	2	—	ns	7
Data and data mask to data strobe setup time	t <sub>DS</sub>	0.5	—	0.5	—	0.6	—	ns	8
Data and data mask to data strobe hold time	t <sub>DH</sub>	0.5	—	0.5	—	0.6	—	ns	8
Clock to DQS write preamble setup time	t <sub>WPRES</sub>	0	—	0	—	0	—	ns	
Clock to DQS write preamble hold time	t <sub>WPREH</sub>	0.25	—	0.25	—	0.25	—	t <sub>CK</sub>	
DQS last edge to High-Z time (DQS write postamble)	t <sub>WPST</sub>	0.4	0.6	0.4	0.6	0.4	0.6	t <sub>CK</sub>	9

## HM5425161B, HM5425801B, HM5425401B Series

Parameter	Symbol	HM5425161B/HM5425801B/HM5425401B						Unit	Notes
		-75A		-75B		-10			
		Min	Max	Min	Max	Min	Max		
Clock to the DQS first rising edge for write delay	$t_{DQSS}$	0.72	1.28	0.72	1.28	0.75	1.25	$t_{CK}$	
DQS falling edge to CLK setup time	$t_{DSS}$	0.2	—	0.2	—	0.2	—	$t_{CK}$	
DQS falling edge hold time to CLK	$t_{DSH}$	0.2	—	0.2	—	0.2	—	$t_{CK}$	
DQS high pulse width (DQS write)	$t_{DQSH}$	0.35	—	0.35	—	0.35	—	$t_{CK}$	
DQS low pulse width (DQS write)	$t_{DQSL}$	0.35	—	0.35	—	0.35	—	$t_{CK}$	
Input command and address setup time	$t_{IS}$	0.9	—	0.9	—	1.1	—	ns	8
Input command and address hold time	$t_{IH}$	0.9	—	0.9	—	1.1	—	ns	8
RAS to READ (with auto precharge)	$t_{RAP}$	20	—	20	—	20	—	ns	
Active command period	$t_{RC}$	65	—	65	—	70	—	ns	
Auto refresh to active/Auto refresh command cycle	$t_{RFC}$	75	—	75	—	80	—	ns	
Active to Precharge command period	$t_{RAS}$	45	120000	45	120000	50	120000	ns	
Active to column command period	$t_{RCD}$	20	—	20	—	20	—	ns	
Write recovery time	$t_{WR}$	15	—	15	—	15	—	ns	
Auto precharge write recovery and precharge time	$t_{DAL}$	35	—	35	—	40	—	ns	
Precharge to active command period	$t_{RP}$	20	—	20	—	20	—	ns	
Active to active command period	$t_{RRD}$	15	—	15	—	15	—	ns	
Average periodic refresh interval	$t_{REF}$	—	7.8	—	7.8	—	7.8	$\mu$ s	

---

## HM5425161B, HM5425801B, HM5425401B Series

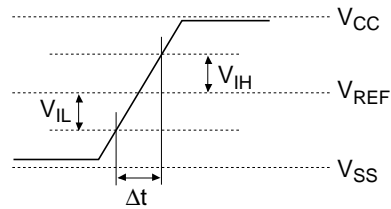
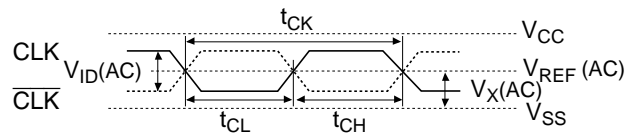
---

- Notes:
1. On all AC measurements, we assume the test conditions shown in the next page. For timing parameter definitions, see 'Timing Waveforms' section.
  2. This parameter defines the signal transition delay from the cross point of CLK and  $\overline{\text{CLK}}$ . The signal transition is defined to occur when the signal level crossing  $V_{\text{TT}}$ .
  3. The timing reference level is  $V_{\text{TT}}$ .
  4. Output valid window is defined to be the period between two successive transition of data out or DQS (read) signals. The signal transition is defined to occur when the signal level crossing  $V_{\text{TT}}$ .
  5.  $t_{\text{HZ}}$  is defined as Dout transition delay from Low-Z to High-Z at the end of read burst operation. The timing reference is cross point of CLK and  $\overline{\text{CLK}}$ . This parameter is not referred to a specific Dout voltage level, but specify when the device output stops driving.
  6.  $t_{\text{LZ}}$  is defined as Dout transition delay from High-Z to Low-Z at the beginning of read operation. This parameter is not referred to a specific Dout voltage level, but specify when the device output begins driving.
  7. Input valid windows is defined to be the period between two successive transition of data input or DQS (write) signals. The signal transition is defined to occur when the signal level crossing  $V_{\text{REF}}$ .
  8. The timing reference level is  $V_{\text{REF}}$ .
  9. The transition from Low-Z to High-Z is defined to occur when the device output stops driving. A specific reference voltage to judge this transition is not given.
  10.  $t_{\text{CK max}}$  is determined by the lock range of the DLL. Beyond this lock range, the DLL operation is not assured.
  11.  $t_{\text{CK}} = \text{min}$  when these parameters are measured. Otherwise, absolute minimum value of these values are 10% of  $t_{\text{CK}}$ .
  12.  $V_{\text{CC}}$  is assumed to be  $2.5 \text{ V} \pm 0.2 \text{ V}$ .  $V_{\text{CC}}$  power supply variation per cycle expected to be less than 0.4 V/400 cycle.

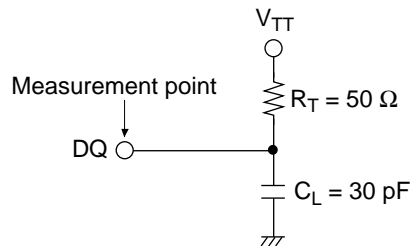
## HM5425161B, HM5425801B, HM5425401B Series

### Test Conditions

Parameter	Symbol	Min	Typ	Max	Unit
Input reference voltage	$V_{REF}(AC)$	$0.5 \times V_{CCQ} - 0.05$	$0.5 \times V_{CCQ}$	$0.5 \times V_{CCQ} + 0.05$	V
Termination voltage	$V_{TT}(AC)$	$V_{REF}(AC) - 0.04$	$V_{REF}(AC)$	$V_{REF}(AC) + 0.04$	V
AC input high voltage	$V_{IH}(AC)$	$V_{REF}(AC) + 0.31$	—	—	V
AC input low voltage	$V_{IL}(AC)$	—	—	$V_{REF}(AC) - 0.31$	V
AC differential input voltage (CLK, $\overline{CLK}$ )	$V_{ID}(AC)$	0.7	—	$V_{CCQ} + 0.6$	V
AC differential cross point voltage (CLK, $\overline{CLK}$ )	$V_X(AC)$	$0.5 \times V_{CCQ} - 0.2$	$0.5 \times V_{CCQ}$	$0.5 \times V_{CCQ} + 0.2$	V
Input signal slew rate	SLEW	—	1	—	V/ns



$$SLEW = (V_{IH}(AC) - V_{IL}(AC)) / \Delta t$$



## HM5425161B, HM5425801B, HM5425401B Series

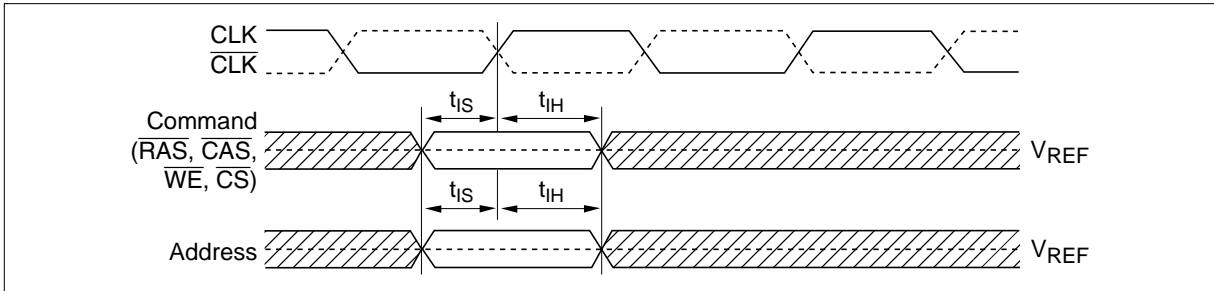
### Timing Parameter Measured in Clock Cycle

Parameter	Symbol	Number of clock cycle	
		Min	Max
Write to pre-charge command delay (same bank)	$t_{WPD}$	3 + BL/2	
Read to pre-charge command delay (same bank)	$t_{RPD}$	BL/2	
Write to read command delay (to input all data)	$t_{WRD}$	2 + BL/2	
Burst stop command to write command delay (CAS latency = 2)	$t_{BSTW}$	2	
( $\overline{\text{CAS}}$ latency = 2.5)	$t_{BSTW}$	3	
Burst stop command to DQ High-Z (CAS latency = 2)	$t_{BSTZ}$	2	
( $\overline{\text{CAS}}$ latency = 2.5)	$t_{BSTZ}$	2.5	
Read command to write command delay (to output all data) (CAS latency = 2)	$t_{RWD}$	2 + BL/2	
( $\overline{\text{CAS}}$ latency = 2.5)	$t_{RWD}$	3 + BL/2	
Pre-charge command to High-Z (CAS latency = 2)	$t_{HZP}$	2	
( $\overline{\text{CAS}}$ latency = 2.5)	$t_{HZP}$	2.5	
Write command to data in latency	$t_{WCD}$	1	
Auto precharge write recovery and precharge time	$t_{DAL}$	5	
Write recovery	$t_{WR}$	2	
DM to data in latency	$t_{DMD}$	0	
Register set command to active or register set command	$t_{MRD}$	2	
Self refresh exit to non-read command	$t_{SNR}$	10	
Self refresh exit to read command	$t_{SRD}$	200	
Power down entry	$t_{PDEN}$	1	
Power down exit to command input	$t_{PDEX}$	1	
CKE minimum pulse width	$t_{CKEPW}$	1	

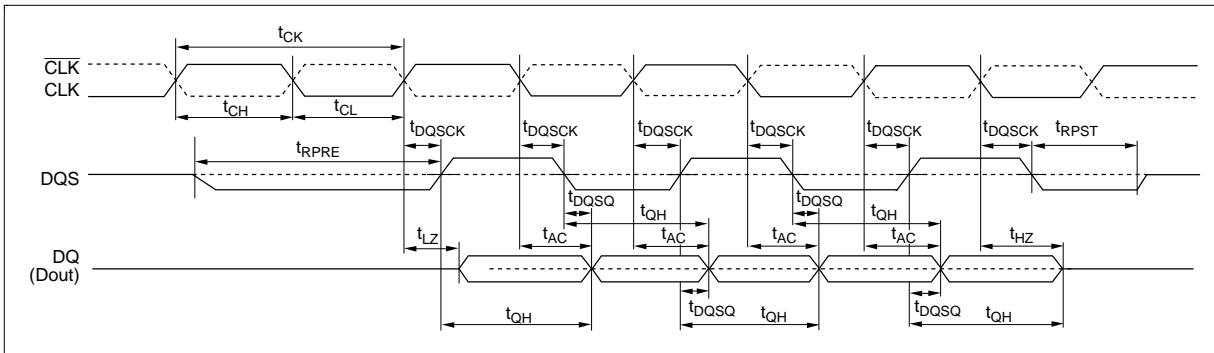
# HM5425161B, HM5425801B, HM5425401B Series

## Timing Waveforms

### Command and Addresses Input Timing Definition

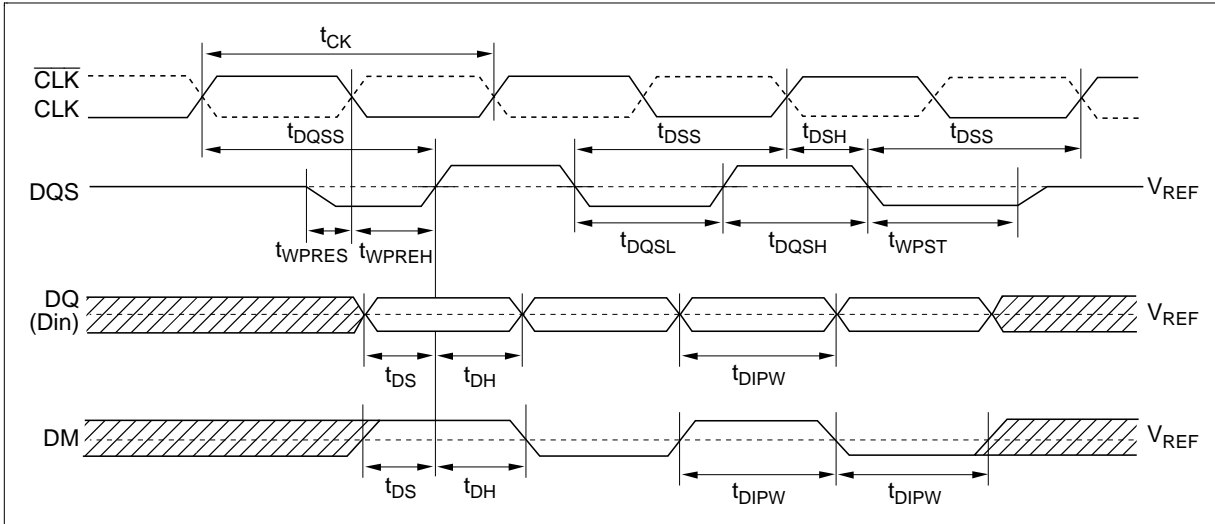


### Read Timing Definition



# HM5425161B, HM5425801B, HM5425401B Series

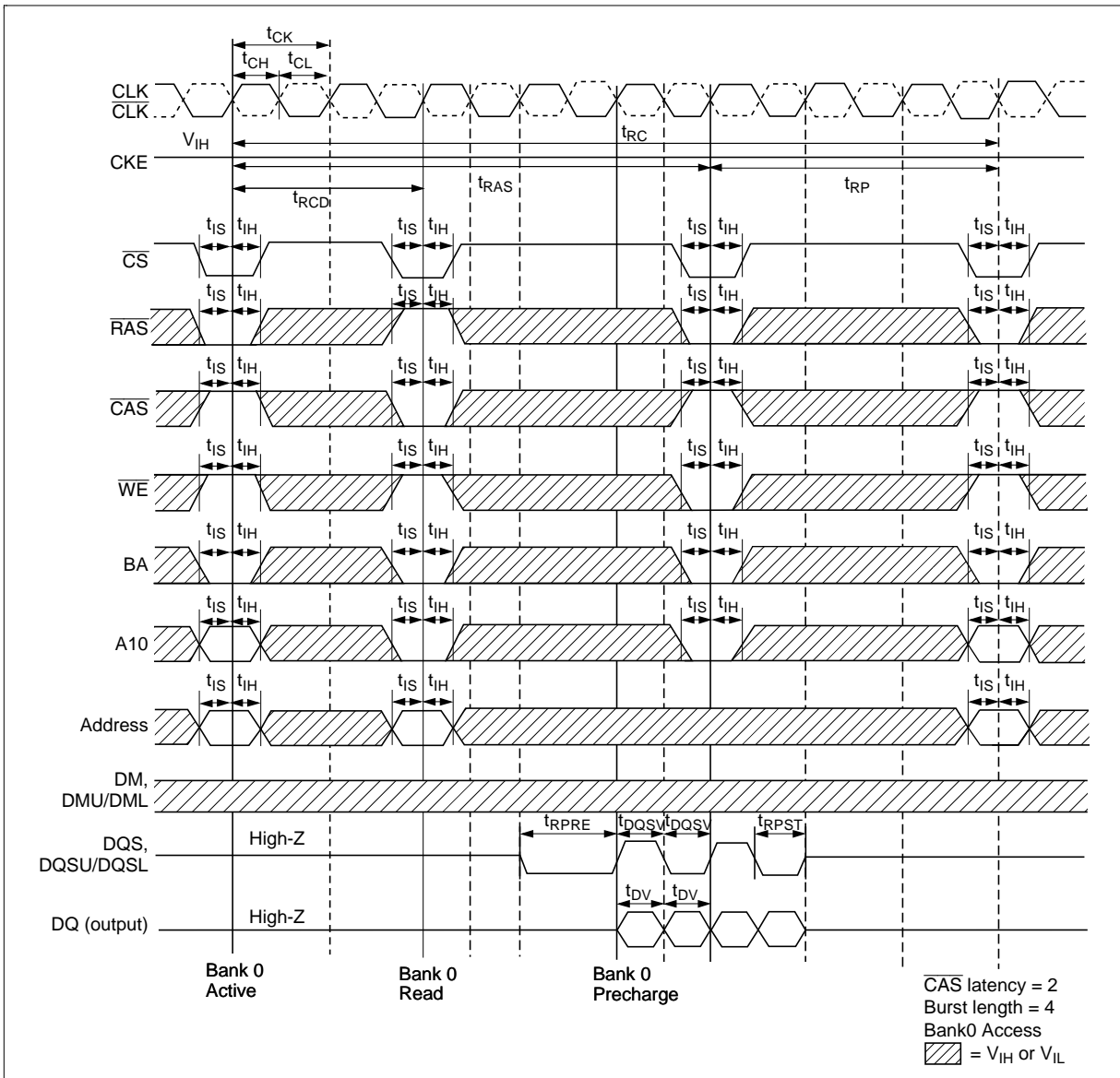
## Write Timing Definition





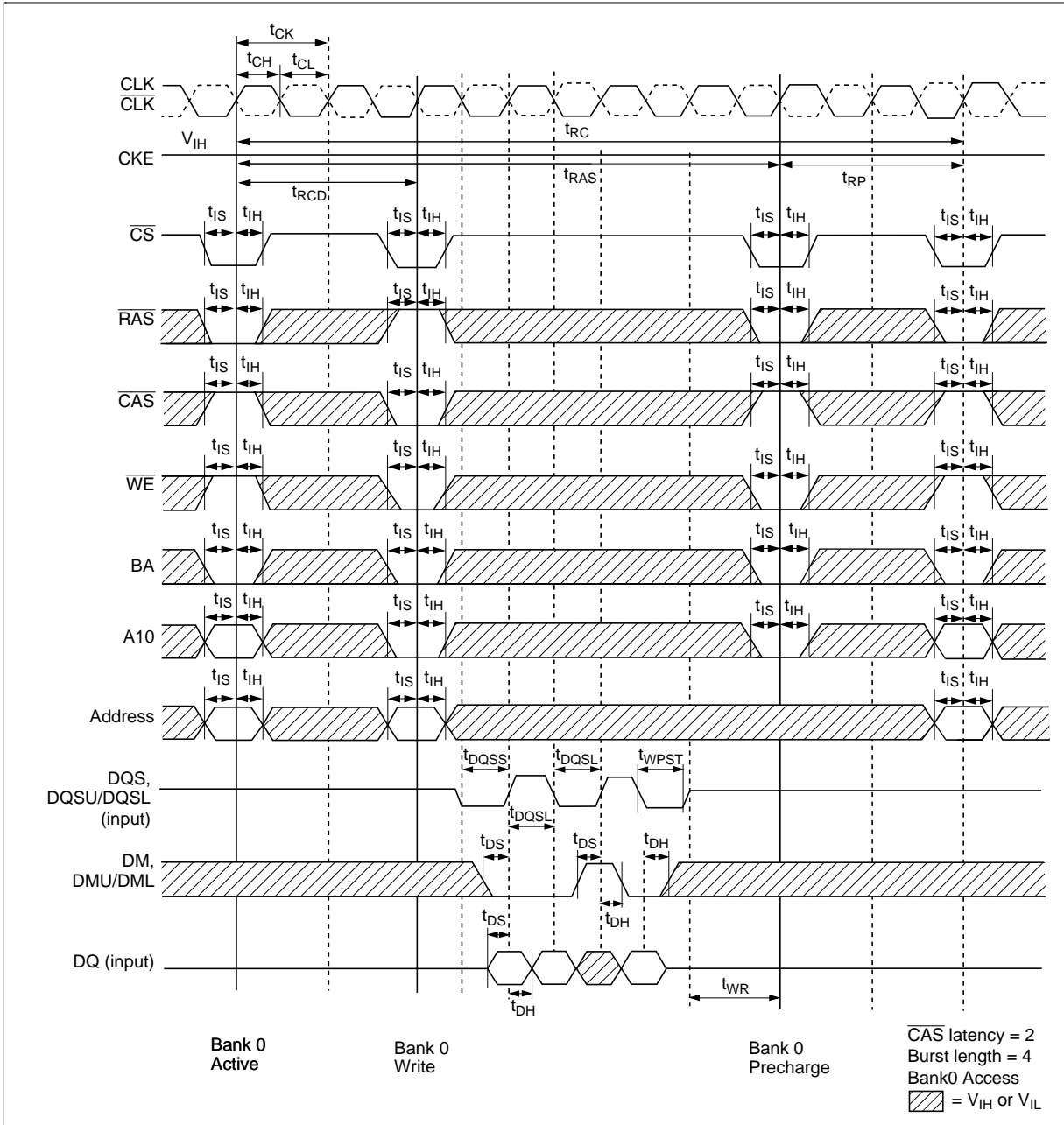
# HM5425161B, HM5425801B, HM5425401B Series

## Read Cycle



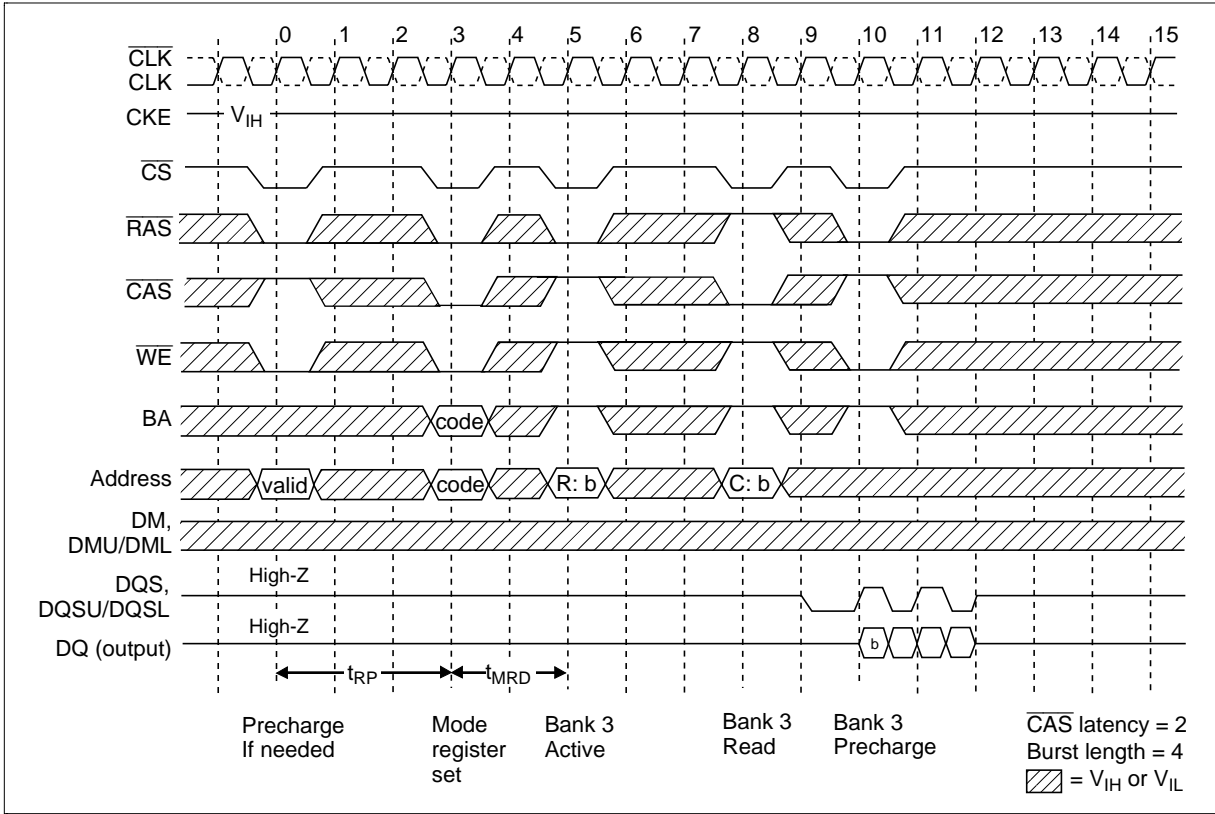
# HM5425161B, HM5425801B, HM5425401B Series

## Write Cycle



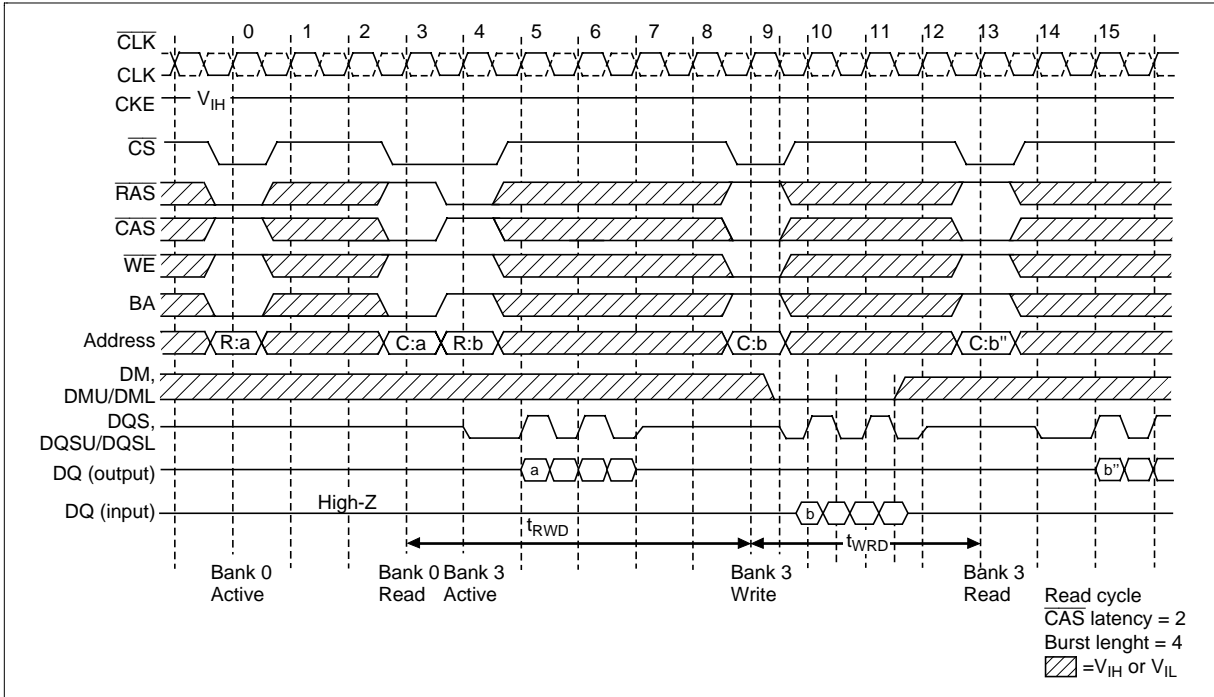
# HM5425161B, HM5425801B, HM5425401B Series

## Mode Register Set Cycle



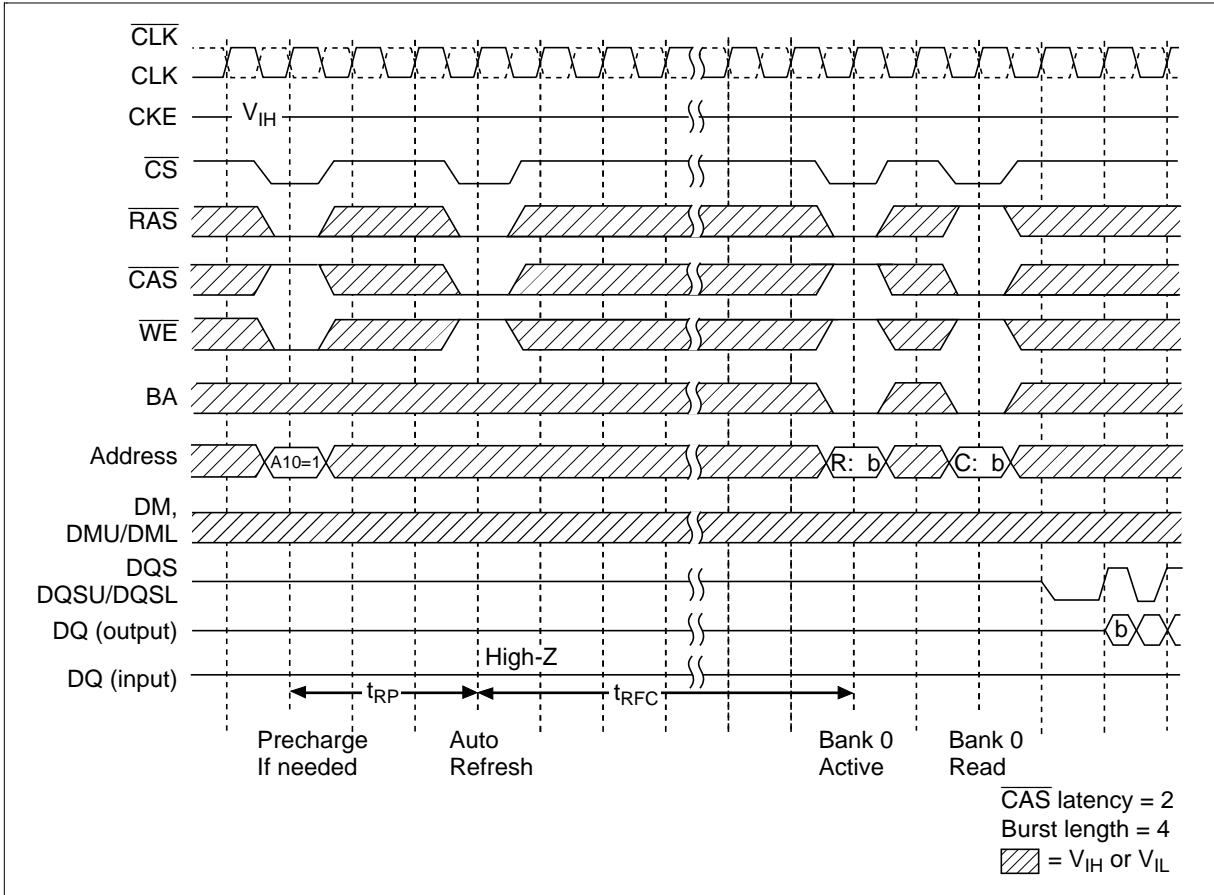
# HM5425161B, HM5425801B, HM5425401B Series

## Read/Write Cycle



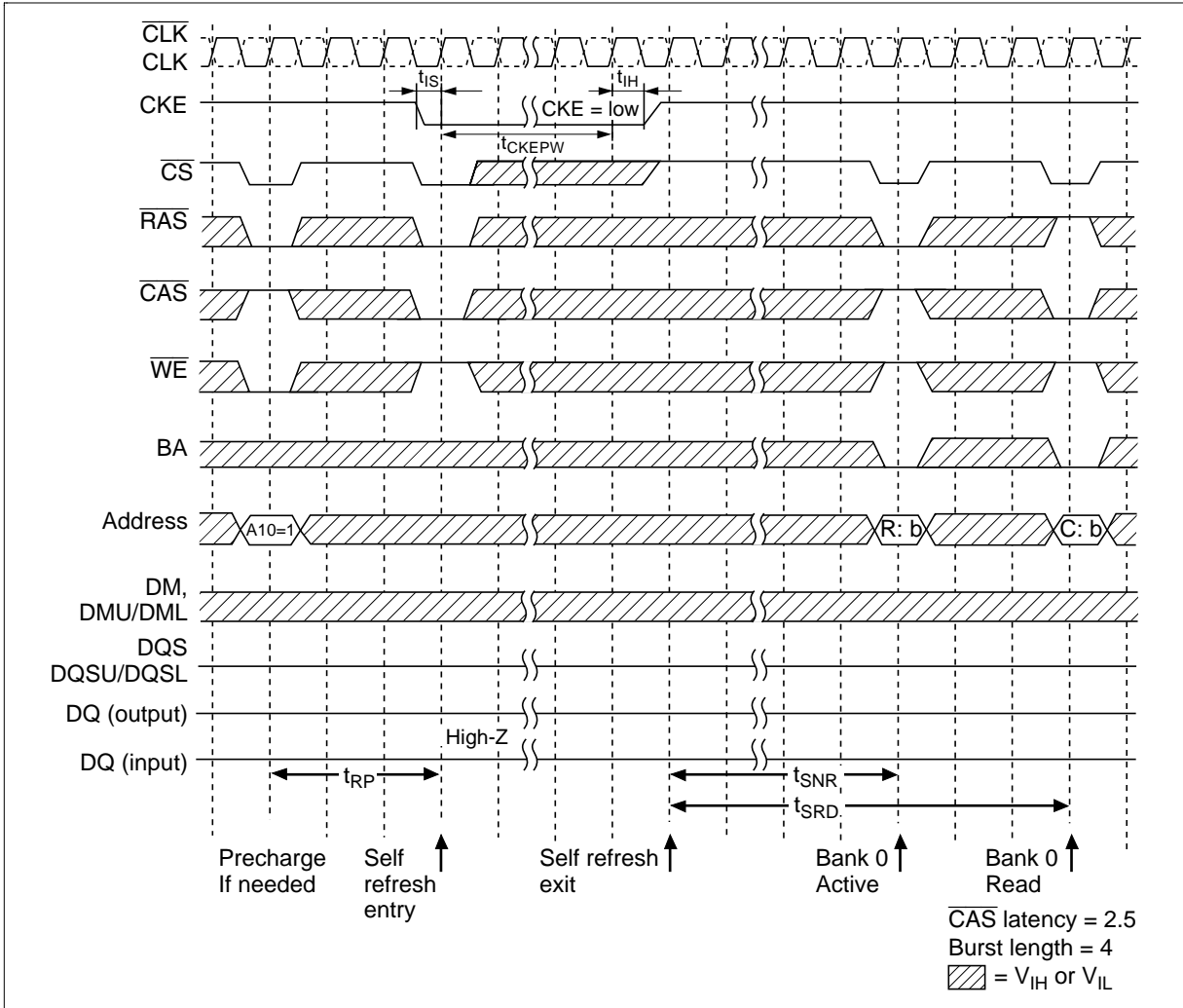
# HM5425161B, HM5425801B, HM5425401B Series

## Auto Refresh Cycle



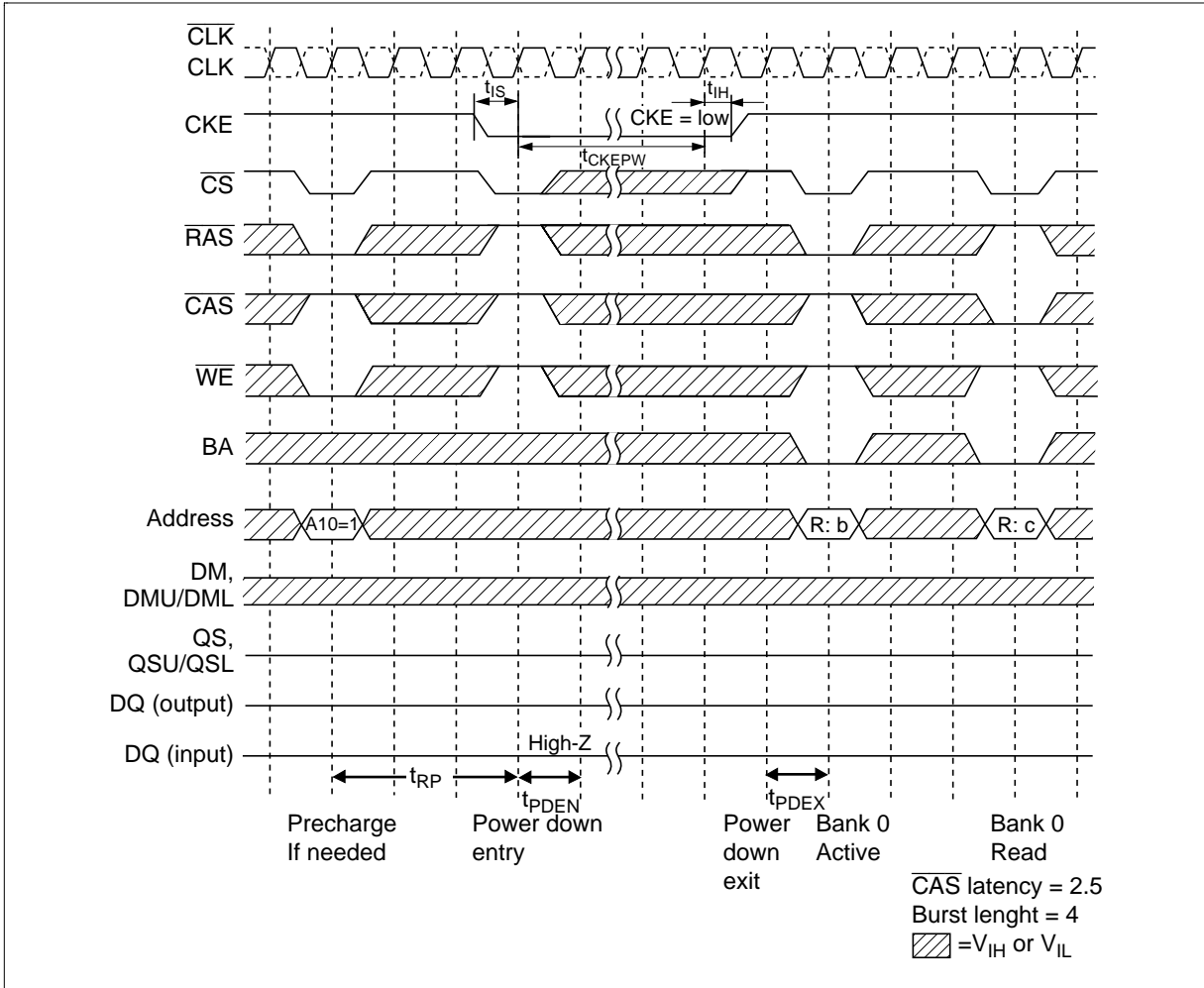
# HM5425161B, HM5425801B, HM5425401B Series

## Self Refresh Cycle



# HM5425161B, HM5425801B, HM5425401B Series

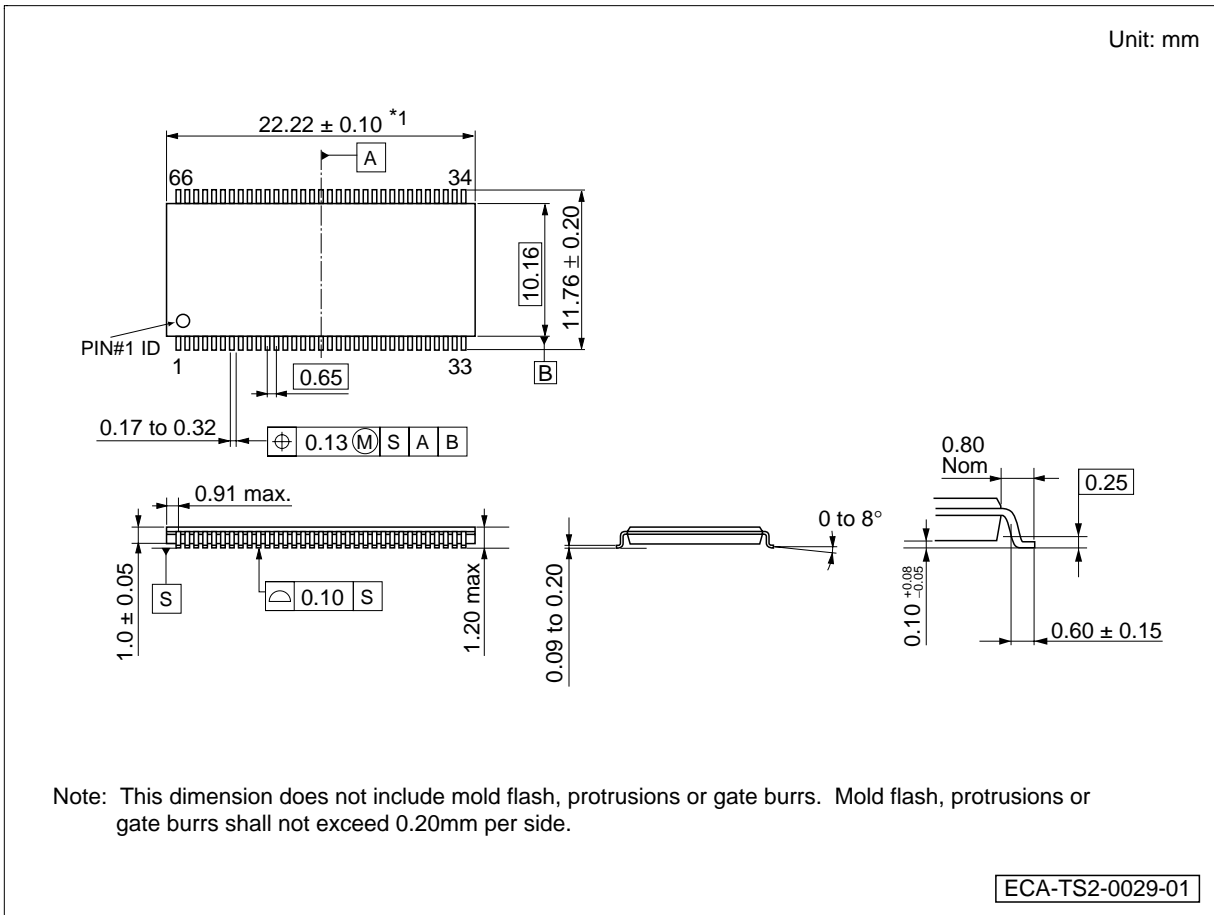
## Power Down Mode



# HM5425161B, HM5425801B, HM5425401B Series

## Package Dimensions

### HM5425161BTT/HM5425801BTT/HM5425401BTT Series





### Cautions

1. Elpida Memory, Inc. neither warrants nor grants licenses of any rights of Elpida Memory, Inc.'s or any third party's patent, copyright, trademark, or other intellectual property rights for information contained in this document. Elpida Memory, Inc. bears no responsibility for problems that may arise with third party's rights, including intellectual property rights, in connection with use of the information contained in this document.
2. Products and product specifications may be subject to change without notice. Confirm that you have received the latest product standards or specifications before final design, purchase or use.
3. Elpida Memory, Inc. makes every attempt to ensure that its products are of high quality and reliability. However, contact Elpida Memory, Inc. before using the product in an application that demands especially high quality and reliability or where its failure or malfunction may directly threaten human life or cause risk of bodily injury, such as aerospace, aeronautics, nuclear power, combustion control, transportation, traffic, safety equipment or medical equipment for life support.
4. Design your application so that the product is used within the ranges guaranteed by Elpida Memory, Inc. particularly for maximum rating, operating supply voltage range, heat radiation characteristics, installation conditions and other characteristics. Elpida Memory, Inc. bears no responsibility for failure or damage when used beyond the guaranteed ranges. Even within the guaranteed ranges, consider normally foreseeable failure rates or failure modes in semiconductor devices and employ systemic measures such as fail-safes, so that the equipment incorporating Elpida Memory, Inc. product does not cause bodily injury, fire or other consequential damage due to operation of the Elpida Memory, Inc. product.
5. This product is not designed to be radiation resistant.
6. No one is permitted to reproduce or duplicate, in any form, the whole or part of this document without written approval from Elpida Memory, Inc..
7. Contact Elpida Memory, Inc. for any questions regarding this document or Elpida Memory, Inc. semiconductor products.

© Elpida Memory, Inc. 2001

© Hitachi, Ltd., 2000