

The Genesis Microchip gm1601 display controller is a fully integrated single chip solution for Multi-media LCD monitors and LCD televisions supporting up to WUXGA resolution. It includes industry-leading motion adaptive deinterlacing and low angle directional interpolation for the highest possible quality of TV playback. The integrated Analog Digital Converter, Ultra-Reliable DVI® receivers, and frame rate conversion ensure proven PC graphics compatibility. Integrated picture-in-picture, HDTV input support, and RealColor® video-specific color controls enable HDTV-ready solutions. An embedded micro-controller and a versatile OSD in a single device will facilitate rapid development of a reliable and attractive product.

FEATURES

High-Quality Advanced Scaling

- Fully programmable zoom ratios
- High-quality shrink capability
- Moire cancellation
- Panoramic scaling for video input

Industry Leading Video Deinterlacing

- Motion Adaptive deinterlacing up to 1080i input
- Superior film mode detection and 3:2 & 2:2 inverse pull down
- Motion adaptive noise reduction
- Low angle directional interpolation

Analog RGB Input Port

- Supports up to WUXGA at 60Hz
- Optional support for analog component video input, YPbPr

Ultra-Reliable DVI® Compliant Input Port

- Supports up to WUXGA at 60Hz
- Direct connect to all DVI compliant digital transmitters
- High-bandwidth Digital Content Protection (HDCP)

Video Input Port

- Optional ITBU656 video input
- Optional 24/16-bit YUV input

Picture-in-Picture (PIP)

- Arbitrary window size
- Video PIP over full screen graphics background
- Graphics PIP over full screen video background
- Side-by-side window support
- 4:3 to 16:10 aspect ratio support

Frame Rate Conversion and Interface

- Full frame rate conversion
- 32-bit wide data path to support standard 2Mx32 and 4Mx32 DDR SDRAM

RealColor® Technology

- Digital brightness, contrast, hue and saturation controls
- Separate full color controls allow end-users to experience the same colors as viewed on TVs for video and for graphics on LCD monitors
- Color correction for sRGB compliance
- Adaptive Fleshtone adjustments

On-chip Micro-controller

- 16-bit micro-controller
- Parallel FLASH ROM interface
- In-system programming capable

Advanced on-chip OSD controller

- Use the frame buffer to store Bit mapped OSD
- 1, 2, 4 and 8-bit per pixel
- Horizontal and vertical stretch and flip of OSD menus
- Blinking, transparency and blending

Output Format

- Dual-channel TTL and Dual LVDS transmitters for direct connection to LCD modules

Simplicity of Design

- Complete stand-alone system-on-chip design for LCD monitors and rear projection displays

PACKAGE

- 416-pin PBGA

APPLICATIONS

- Multi-media LCD monitors and televisions up to WUXGA

Genesis Microchip Inc.

2150 Gold Street, P.O. Box 2150, Alviso, CA USA 95002, Tel 408-262-6599, Fax 408-262-6365

165 Commerce Valley Dr. West, Thornhill, ON Canada L3T 7V8, Tel 905-889-5400, Fax 905-889-5422

George Thangiah Complex(E), 2nd Flr, 80 Feet Road, Jeevan Bhima Nagar, Bangalore 560 075, India, Tel 91-80-526 3878, Fax 91-80-529 6245

4F, No. 57, Sing Jung Road, NeiHu Taipei, Taiwan 114, R.O.C, Tel 886-2-2791-0118, Fax 886-2-2791-0196

143-37 Hyundai Tower, #902, Samsung-dong, Kangnam-gu, Seoul, Korea 135-090, Tel 82-2-553-5693, Fax 82-2-552-4942

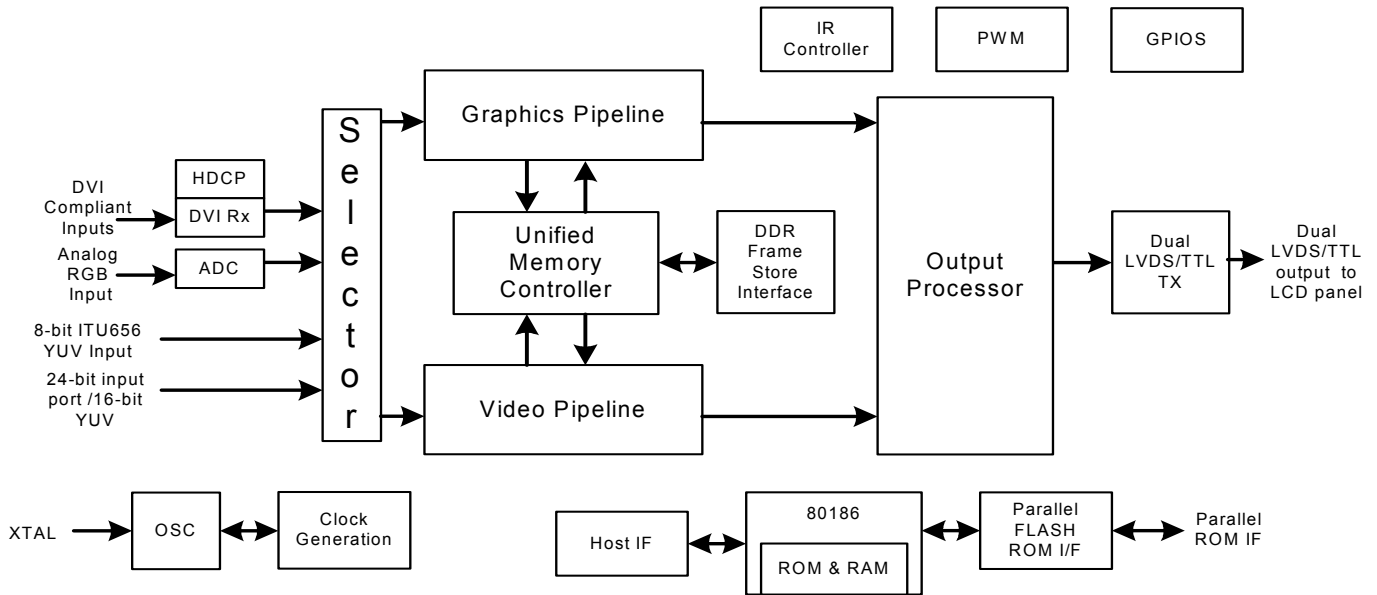
10/F East, Legend Building, High-Tech Industrial Park, Shenzhen, P. R. C., Tel 86-755-26982060, Fax 86-755-26982050

#310-311 Century Financial Tower, No. 1, Su Hua Road, Suzhou Industrial Park, Suzhou, Jiangsu Province, P.R.C., 215021 Tel 86-512-67620380, Fax 86-512-67620385

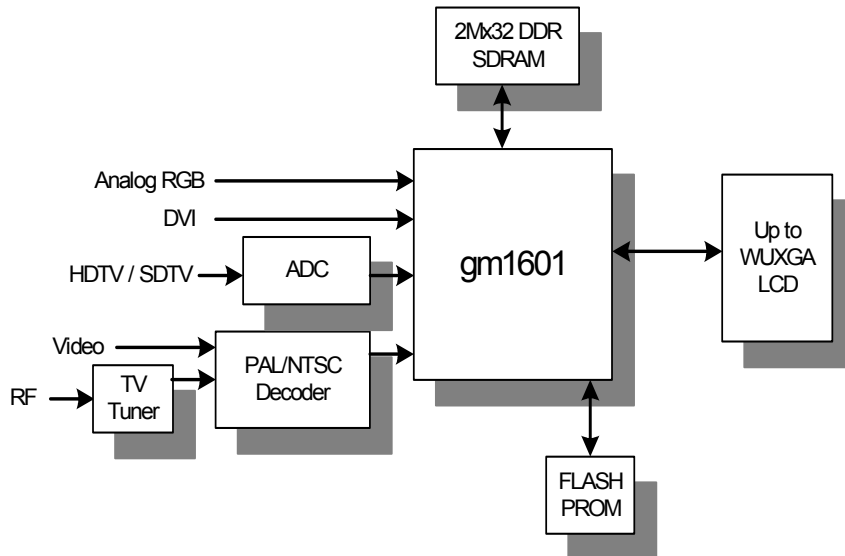
2-9-5 Higashigotanda, Shinagawa-ku, Tokyo, 141-0022, Japan, Tel 81-3-5798-2758, Fax 81-3-5798-2759

www.genesis-microchip.com

gm1601 Functional Block Diagram



gm1601 System Design Example



Note: Ultra-Reliable DVI and RealColor are Registered Trademarks of Genesis Microchip Inc.

Note: High-bandwidth Digital Content Protection (HDCP) is a Trademark of Digital Content Protection, LLC.