

DATA SHEET

TDA4881 Advanced monitor video controller

Preliminary specification
File under Integrated Circuits, IC02

November 1992

Philips Semiconductors



PHILIPS

Advanced monitor video controller

TDA4881

FEATURES

- Fully DC controllable
- 3 separate video channels
- Input black level clamping
- White level adjustment for 2 channels only
- Brightness control with correct grey scale tracking
- Contrast control for all 3 channels simultaneously
- Cathode feedback to internal reference for cut-off control, which allows unstabilized video supply voltage
- Current outputs for RGB signal currents
- RGB voltage outputs to external peaking circuits
- Blanking and switch-off input for screen protection
- Sync on green operation possible

GENERAL DESCRIPTION

The TDA4881 is a monolithic integrated RGB amplifier for colour monitor systems with super VGA performance, intended for DC or AC coupling of the colour signals to the cathodes of the CRT. With special advantages the circuit can be used in conjunction with the TDA4851.

QUICK REFERENCE DATA

SYMBOL	PARAMETER	CONDITIONS	MIN.	TYP.	MAX.	UNIT
V_P	positive supply voltage (pin 7)		7.2	8.0	8.8	V
I_P	supply current		–	46	56	mA
$V_{I(b-w)}$	input voltage (black-to-white, pins 2, 5 and 8)		–	0.7	1.0	V
$V_{O(b-w)}$	output voltage (black-to-white, pins 19, 16 and 13)	nominal contrast and nominal gain	–	0.8	–	V
$I_{O(b-w)}$	output current (black-to-white, pins 20, 17 and 14)		–	50	–	mA
I_M	peak output current (pins 20, 17 and 14)		–	–	100	mA
B	bandwidth	–3 dB	70	–	–	MHz
G_{nom}	nominal gain		–	1	–	dB
G_V	gain control range for 2 channels (relative to G_{nom})		–4	–	+2	dB
C_V	contrast control range (relative to G_{nom})		–20	–	+3	dB
ΔV_{bl}	brightness control range	nominal gain	–80	–	+240	mV
T_{amb}	operating ambient temperature range		0	–	+70	°C

ORDERING INFORMATION

EXTENDED TYPE NUMBER	PACKAGE			
	PINS	PIN POSITION	MATERIAL	CODE
TDA4881	20	DIL	plastic	SOT146

Advanced monitor video controller

TDA4881

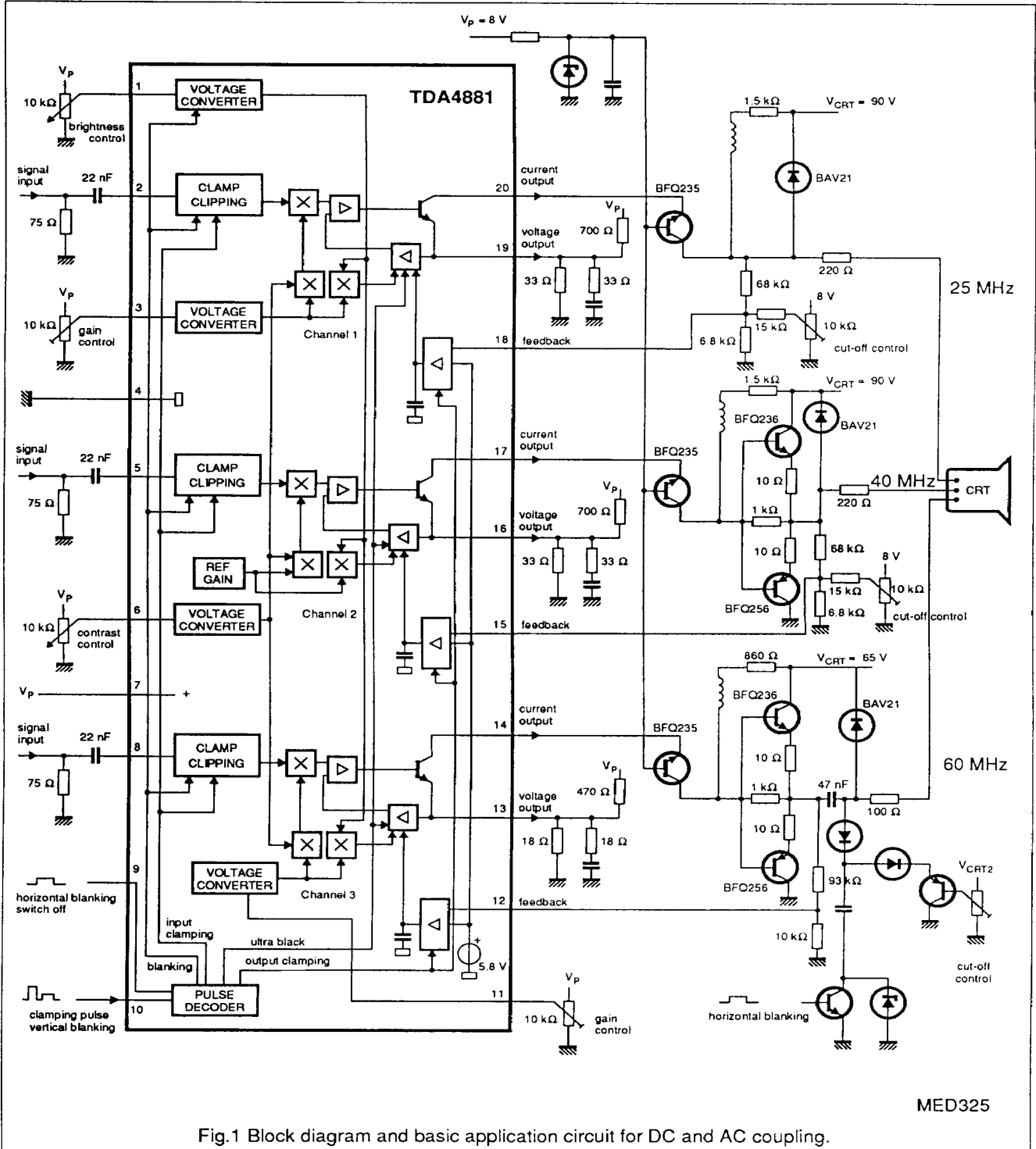


Fig.1 Block diagram and basic application circuit for DC and AC coupling.

Advanced monitor video controller

TDA4881

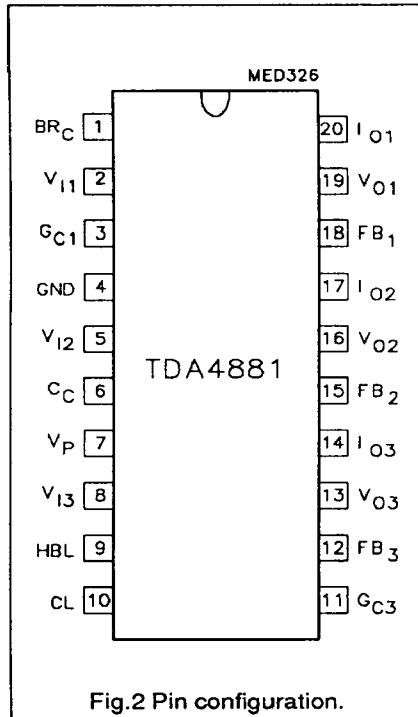


Fig.2 Pin configuration.

PINNING

SYMBOL	PIN	DESCRIPTION
BRc	1	brightness control
V ₁₁	2	signal input Channel 1
Gc1	3	gain control Channel 1
GND	4	ground
V ₁₂	5	signal input Channel 2
Cc	6	contrast control
V _p	7	supply voltage
V ₁₃	8	signal input Channel 3
HBL	9	horizontal blanking, switch off
CL	10	input clamping, vertical blanking
Gc3	11	gain control Channel 3
FB3	12	feedback Channel 3
V ₀₃	13	voltage output Channel 3
I ₀₃	14	current output Channel 3
FB2	15	feedback Channel 2
V ₀₂	16	voltage output Channel 2
I ₀₂	17	current output Channel 2
FB1	18	feedback Channel 1
V ₀₁	19	voltage output Channel 1
I ₀₁	20	current output Channel 1

FUNCTIONAL DESCRIPTION

RGB input signals ($0.7 V_{(p-p)}$) are capacitively coupled into the TDA4881 (pins 2, 5 and 8) from a low ohmic source and are clamped to an internal DC voltage (artificial black level). Composite signals will not disturb normal operations because an internal clipping circuit cuts all signal parts below black level. Channels 1 and 3 have a maximum total voltage gain of 6 dB (maximum contrast and maximum individual channel gain), Channel 2 of 4 dB (maximum contrast and nominal channel gain). With the nominal channel gain of 1 dB and nominal contrast setting the nominal black-to-white output amplitude is $0.8 V_{(p-p)}$.

DC voltages are used for brightness, contrast and gain control.

Brightness control yields a simultaneous signal black level shift of the three channels relative to a

reference black level. For nominal brightness (pin 1 open-circuit) the signal black level is equal to the reference black level.

Contrast control is achieved by a voltage at pin 6 and affects the three channels simultaneously.

To provide the correct white point, an individual *gain control* (pins 3 and 11) adjusts the signals of Channels 1 and 3 compared to the reference Channel 2. Gain setting effects contrast and brightness to achieve correct grey scale tracking. Each *output stage* provides a current output (pins 20, 17 and 14) and a voltage output (pins 19, 16 and 13). External cascode transistors reduce power consumption of the IC and prevent breakdown of the output transistors. Signal output currents and peaking characteristics are determined by external components at the voltage outputs and the video supply.

The three channels have separate

internal feedback loops which ensure large signal linearity and marginal signal distortion in spite of output transistor thermal V_{BE} variation.

The *clamping pulse* (pin 10) is used for *input clamping* only. The input signals have to be at black level during the clamping pulse and are clamped to an internal artificial black level. The coupling capacitors are used in this way for black level storage. Because the threshold for the clamping pulse is higher than that for vertical blanking (pin 10) the rise and fall times of the clamping pulse have to be faster than 75 ns/V (1 V to 3.5 V).

The *vertical blanking pulse* will be detected if the input voltage (pin 10) is higher than the threshold voltage for approximately 300 ns but does not exceed the threshold for the clamping pulse in the time between. During the vertical blanking pulse the input clamping is disabled to

Advanced monitor video controller

TDA4881

avoid misclamping in the event of composite input signals. The input signal is blanked and the artificial black level is inserted instead. Additionally the brightness is internally set to its nominal value, thus the output signal is at reference black level. The DC value of the reference black level will be adjusted by cut-off stabilization.

During *horizontal blanking* (pin 9) the output signal is set to reference black level as previously described and *output clamping* is activated. If the voltage at pin 9 exceeds the *switch off* threshold the signal is blanked and switched to ultra black level for screen protection and spot suppression during V-flyback. Ultra black level is the lowest possible output voltage (at voltage outputs) and does not depend on cut-off stabilization.

For *cut-off stabilization* (DC coupling to the CRT) respectively *black level stabilization* (AC coupling) the video signal at the cathode or the coupling capacitor is divided by an adjustable voltage divider and fed to the feedback inputs (pins 18, 15 and 12). During horizontal blanking time this signal is compared with an internal DC voltage of approximately 5.8 V. Any difference will lead to a reference black level correction by charging or discharging the integrated capacitor which stores the reference black level information between the horizontal blanking pulses.

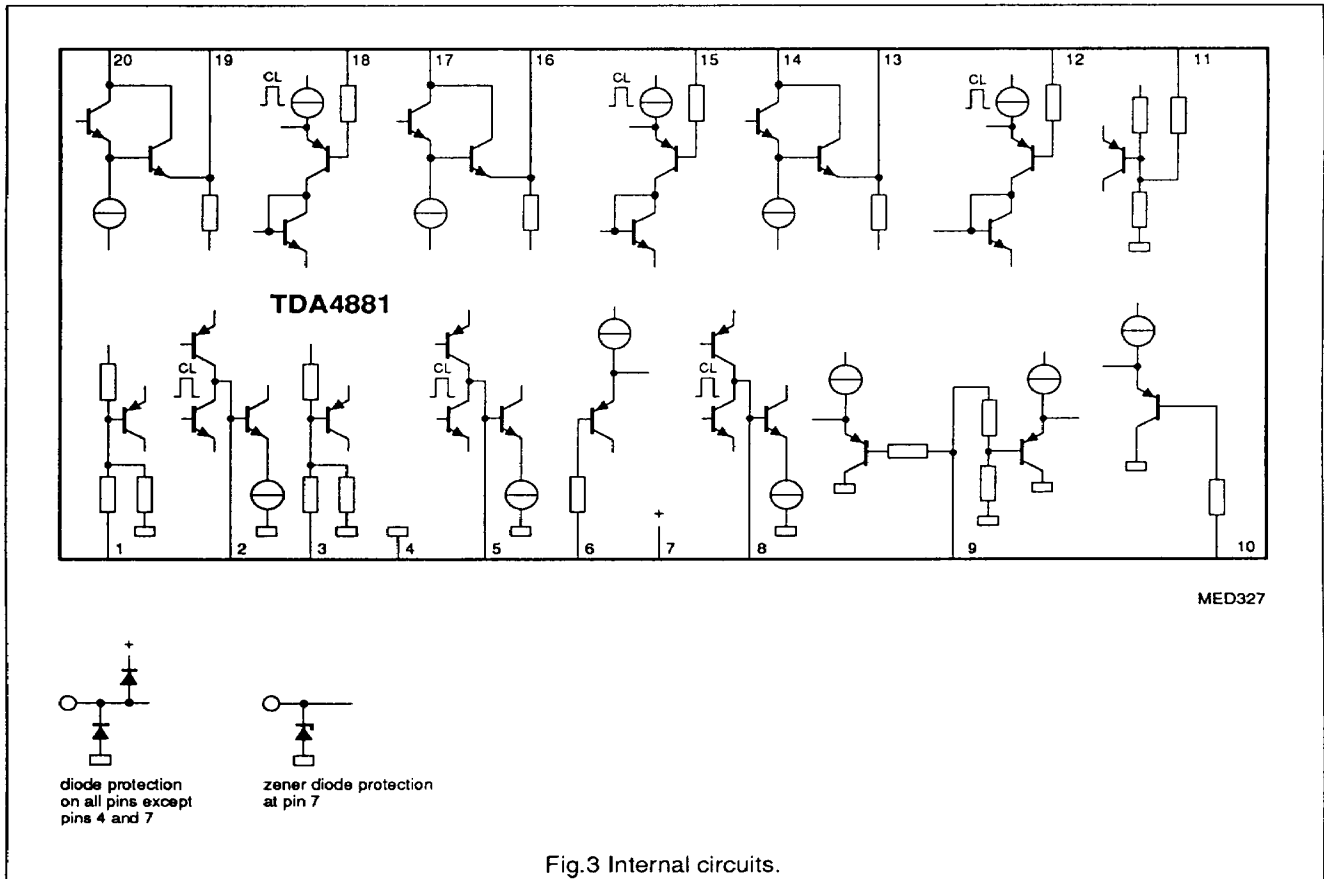


Fig.3 Internal circuits.

Advanced monitor video controller

TDA4881

LIMITING VALUES

In accordance with the Absolute Maximum System (IEC 134)

SYMBOL	PARAMETER	MIN.	MAX.	UNIT
V _P	supply voltage (pin 7)	0	8.8	V
V _i	input voltage range (pins 2, 5 and 8)	-0.1	V _P	V
V _{ext}	external DC voltage ranges			
	pins 20, 17 and 14	-0.1	V _P	V
	pins 19, 16 and 13	no external voltages		
	pins 1, 3, 6 and 11	-0.1	V _P	V
	pin 9	-0.1	V _P + 0.7	V
	pin 10	-0.7	V _P + 0.7	V
I _o	average output current (pins 20, 17 and 14)	0	50	mA
I _M	peak output current (pins 20, 17 and 14)	0	100	mA
P _{tot}	total power dissipation	-	1200	mW
T _{stg}	storage temperature range	-25	+150	°C
T _{amb}	operating ambient temperature range	0	+70	°C
T _j	junction temperature	-25	+150	°C
V _{ESD}	electrostatic handling for all pins (note 1)	-500	+500	V

Note to the Limiting Values

1. Equivalent to discharging a 200 pF capacitor through a 0 Ω series resistor.

THERMAL RESISTANCE

SYMBOL	PARAMETER	THERMAL RESISTANCE
R _{thj-a}	from junction to ambient in free air	65 K/W

Advanced monitor video controller

TDA4881

CHARACTERISTICS $V_P = 8.0\text{ V}$, $T_{amb} = +25\text{ }^\circ\text{C}$; all voltages measured to GND (pin 4); unless otherwise specified

SYMBOL	PARAMETER	CONDITIONS	MIN.	TYP.	MAX.	UNIT
V_P	supply voltage range (pin 7)		7.2	8.0	8.8	V
I_P	supply current (pin 7)		–	46	56	mA
Video signal inputs						
$V_{I(b-w)}$	input voltage (black-to-white, pins 2, 5 and 8)		–	0.7	1.0	V
$I_{2, 5, 8}$	DC current	no clamping	–0.1	–	0.1	μA
		during clamping	± 50	–	–	μA
Brightness control						
V_1	input voltage range	see note 1	1.0	–	6.0	V
R_1	input resistance to V_{N1}		–	50	–	$\text{k}\Omega$
ΔV_{b1}	black level voltage change at nominal gain (pins 19, 16 and 13)	$V_1 = 1.0\text{ V}$; $V_{3, 11}$ open-circuit	–	–80	–	mV
		$V_1 = 6.0\text{ V}$; $V_{3, 11}$ open-circuit	–	240	–	mV
V_{N1}	input voltage for nominal brightness	pin 1 open-circuit	–	2.25	–	V
Contrast control (see note 2)						
V_6	input voltage range	see note 1	1.0	–	6.0	V
I_6	current		–5	–1	–	μA
C_v	contrast relative to nominal contrast	$V_6 = 6.0\text{ V}$; $V_{3, 11}$ open-circuit	–	3	–	dB
		$V_6 = 4.5\text{ V}$; $V_{3, 11}$ open-circuit	–	0	–	dB
		$V_6 = 1.0\text{ V}$; $V_{3, 11}$ open-circuit	–	–20	–	dB
T_r	tracking of RGB signals	$2.5\text{ V} < V_6 < 6\text{ V}$; $V_{3, 11}$ open-circuit	–	0	0.5	dB
Gain control						
$V_{3, 11}$	input voltage range	see note 1	1.0	–	6.0	V
$R_{3, 11}$	input resistance against $V_{N3, N11}$		–	43	–	$\text{k}\Omega$
G_v	gain relative to nominal gain	$V_6 = 4.5\text{ V}$; $V_{3, 11} = 6\text{ V}$	–	2	–	dB
		$V_6 = 4.5\text{ V}$; $V_{3, 11} = 1\text{ V}$	–	–4	–	dB
$V_{N3, N11}$	input voltage for nominal gain	pin 3, 11 open-circuit	–	4.6	–	V
Feedback Input						
V_{int}	internal reference voltage	see note 3	tbn	5.8	tbn	V
$I_{18, 15, 12}$	output current	during output clamping	–1.5	–1.0	–0.1	μA
Voltage outputs (pins 19, 16 and 13)						
$V_{O(b-w)}$	signal output voltage (black-to-white value)	$V_{3, 11}$ open; $V_6 = 4.5\text{ V}$; $V_{I(b-w)} = 0.7\text{ V}$	–	0.8	–	V
V_{bl}	black level voltage	during output clamping; depending on black level adjustment; see note 4	0.3	–	1.0	V
		during switch-off	–	0.1	0.3	V
S/N	signal-to-noise ratio	see note 5	–	–	44	dB

Advanced monitor video controller

TDA4881

SYMBOL	PARAMETER	CONDITIONS	MIN.	TYP.	MAX.	UNIT
Frequency response at voltage outputs						
G_{vf}	gain decrease by frequency response at pins 19, 16 and 13	70 MHz	–	–	–3	dB
t_{rO}	rise time at voltage output (pins 19, 16 and 13)	10% to 90% amplitude; input rise time = 1 ns	–	4.5	5.0	ns
Current outputs (pins 20, 17 and 14)						
$I_{O(b-w)}$	signal current (black-to-white)		–	50	–	mA
		with peaking; see note 6	–	–	100	mA
$V_{20-19, 17-16, 14-13}$	HF saturation of output transistors	$I_O = 50$ mA	–	–	2.0	V
		$I_O = 100$ mA	–	–	2.2	V
Threshold voltages (see note 7)						
V_9	threshold for horizontal blanking (blanking, output clamping)		1.2	1.4	1.6	V
	threshold for switch-off (blanking, minimum black level, no output clamping)		5.8	6.5	6.8	V
R_9	input resistance referenced to ground		50	80	110	k Ω
t_{d9}	delay between horizontal blanking input and output signal blanking		–	35	60	ns
V_{10}	threshold for vertical blanking (blanking, no input clamping)	see Fig.4	1.2	1.4	1.6	V
	threshold for clamping (input clamping, no blanking)	see Fig.4	2.6	3.0	3.5	V
I_{10}	input current		–3	–1	–	μ A
$t_{r,10}$	rise and fall time for clamping pulse	transition 1 to 3.5 V; see Fig.4	–	–	75	ns/V
t_{w10}	clamping pulse width	$V_{10} = 3$ V	0.6	–	–	μ s
t_{d10}	delay between vertical blanking input and output signal blanking	see Fig.4	–	300	–	ns

Advanced monitor video controller

TDA4881

Notes to the characteristics

1. Typical range is 1 to 6 V, the range can be increased (e.g. 0 to 7 V) to slightly increase the control range.
2. Open contrast control pin leads to undefined contrast setting.
3. The internal reference voltage can be measured at pins 18, 15 and 12 during output clamping in closed feedback loop.
4. Minimum guaranteed control range, the typical minimum black level voltage is 0.1 V.
5. The signal-to-noise ratio is calculated by the formula (frequency range 1 to 70 MHz):

$$\frac{\text{peak-to-peak value of the nominal signal output voltage}}{\text{RMS value of the noise output voltage}}$$
6. The external RC combinations at pins 19, 16 and 13 enables peak currents during transients.
7. The internal threshold voltages are derived from an internally stabilized voltage. The internal pulses are generated if the input pulses are higher than the thresholds.

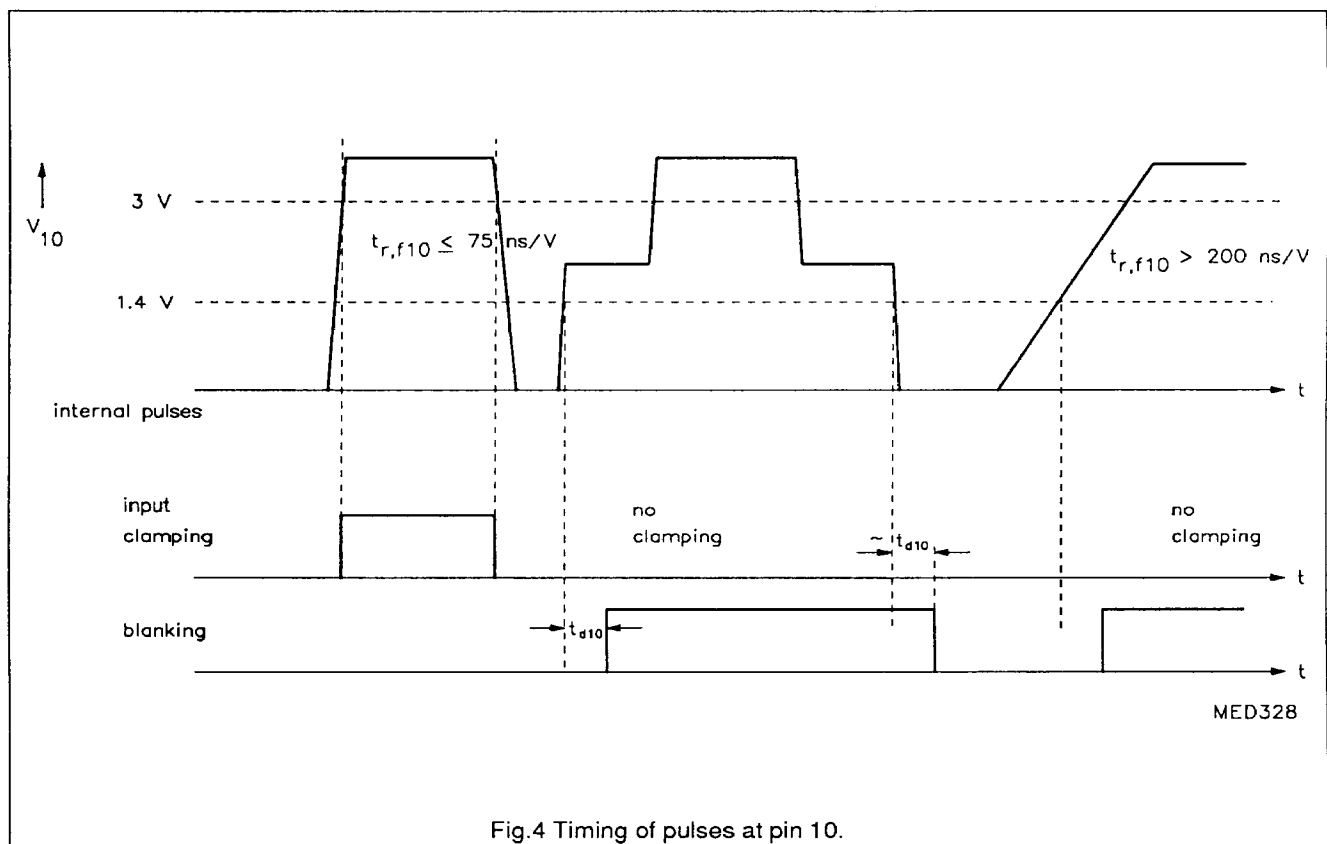


Fig.4 Timing of pulses at pin 10.

Advanced monitor video controller

TDA4881

PACKAGE OUTLINE

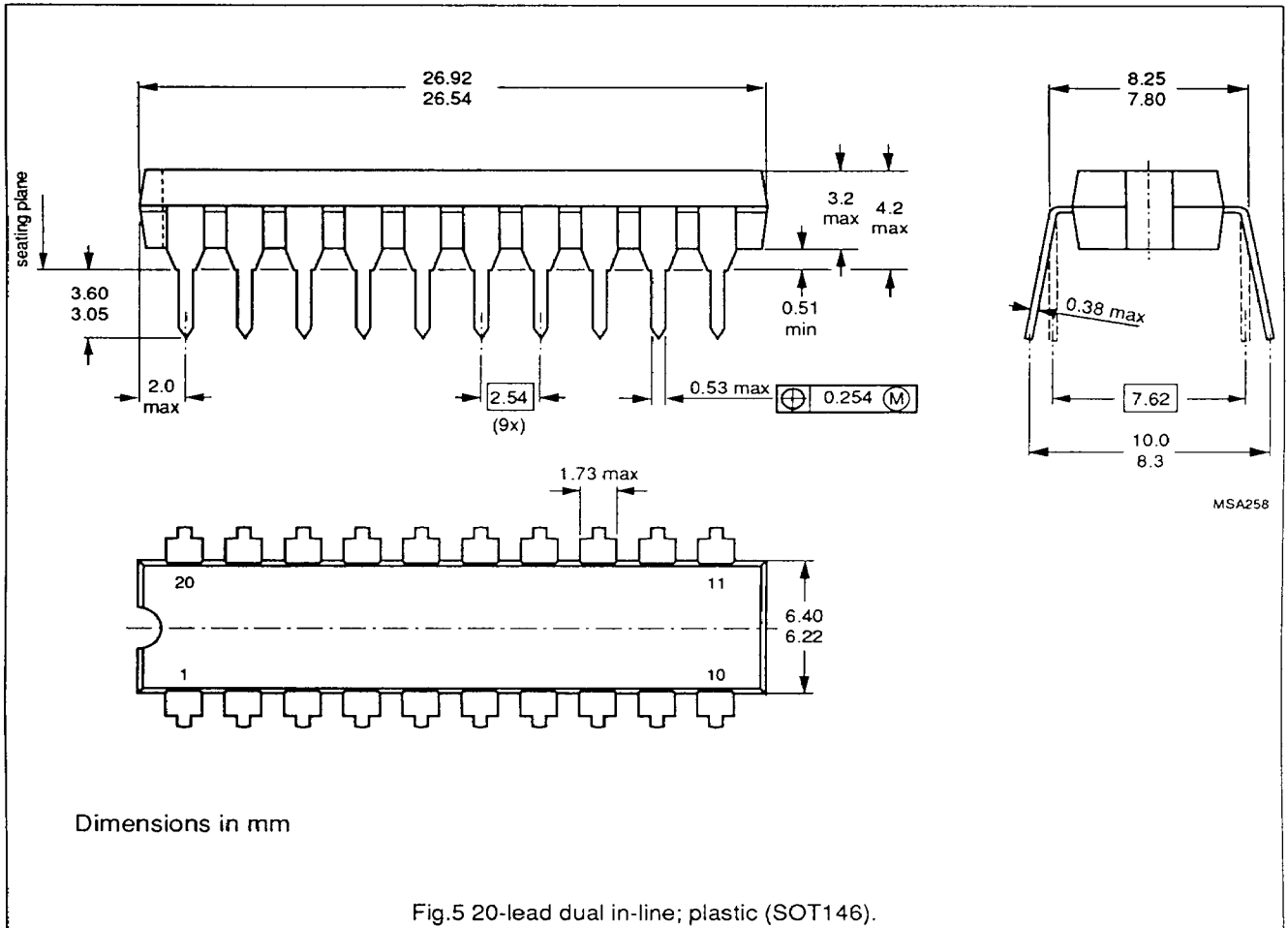


Fig.5 20-lead dual in-line; plastic (SOT146).

Advanced monitor video controller

TDA4881

SOLDERING**Plastic dual in-line packages**

BY DIP OR WAVE

The maximum permissible temperature of the solder is 260 °C; this temperature must not be in contact with the joint for more than 5 s. The total contact time of successive solder waves must not exceed 5 s.

The device may be mounted up to the seating plane, but the temperature of the plastic body must not exceed the specified storage maximum. If the printed-circuit board has been preheated, forced cooling may be necessary immediately after soldering to keep the temperature within the permissible limit.

REPAIRING SOLDERED JOINTS

Apply the soldering iron below the seating plane (or not more than 2 mm above it). If its temperature is below 300 °C it must not be in contact for more than 10 s; if between 300 and 400 °C, for not more than 5 s.

DEFINITIONS

Data sheet status	
Objective specification	This data sheet contains target or goal specifications for product development.
Preliminary specification	This data sheet contains preliminary data; supplementary data may be published later.
Product specification	This data sheet contains final product specifications.
Limiting values	
Limiting values given are in accordance with the Absolute Maximum Rating System (IEC 134). Stress above one or more of the limiting values may cause permanent damage to the device. These are stress ratings only and operation of the device at these or at any other conditions above those given in the Characteristics sections of this specification is not implied. Exposure to limiting values for extended periods may affect device reliability.	
Application information	
Where application information is given, it is advisory and does not form part of the specification.	

Philips Semiconductors – a worldwide company

Argentina IEROD, Juramento 1.991 - 14'B, 1428 Buenos Aires,
Tel. (541)786-76-35, Fax. (541)786-93-67

Australia 34 Waterloo Road, NORTH RYDE, NSW 2113,
Tel. (02)805 4455, Fax. (02)805 4466

Austria Triester Str. 64, 1101 WIEN,
Tel. (0222)60 101-0, Fax. (0222)60 101-1975

Belgium 80 Rue Des Deux Gares, B-1070 BRUXELLES,
Tel. (02)525 6111, Fax. (02)525 7246

Brazil Rua do Rocio 220, SAO PAULO-SP, CEP 04552,
P.O. Box 7383-CEP 01051,
Tel. (011)829-1166, Fax. (011)829-1849

Canada DISCRETE SEMICONDUCTORS: 601 Milner Ave,
SCARBOROUGH, ONTARIO, M1B 1M8, Tel. (416)292-5161
INTEGRATED CIRCUITS: 1 Eva Road, Suite 411, ETOBICOKE,
Ontario, M9C 4Z5, Tel. (416)626-6676

Chile Av. Santa Maria 0760, SANTIAGO,
Tel. (02)773 816

Colombia Carrera 21 No. 56-17, BOGOTA, D.E., P.O. Box 77621,
Tel. (01)249 7624

Denmark Prags Boulevard 80, PB 1919, DK-2300 COPENHAGEN S,
Tel. (32)88 3333, Fax. (32)96 0125

Finland Sinkalliontie 3, SF-02630 ESPOO,
Tel. (0)50261, Fax. (0)520971

France 117 Quai du Président Roosevelt, 92134 ISSY-LES-
MOULINEAUX Cedex,
Tel. (01)409 38 000, Fax. (01)409 38 127

Germany Burchardstrasse 19, D-2 HAMBURG 1,
Tel. (040)3296-0, Fax. (040)3296 213

Greece No. 15, 25th March Street, GR 17778 TAVROS,
Tel. (01)4894 339/4894 911

Hong Kong 15/F Philips Ind. Bldg., 24-28 Kung Yip St., KWAI CHUNG,
Tel. (0)4245 121, Fax. (0)4806 960

India PEICO ELECTRONICS & ELECTRICALS LTD.,
Components Dept., Shivsagar Estate, Block 'A',
Dr. Annie Besant Rd., Worli, BOMBAY-400 018,
Tel. (022)4938 541, Fax. (022)4941 595

Indonesia Philips House, Jalan H.R. Rasuna Said Kav. 3-4,
P.O. Box 4252, JAKARTA 12950,
Tel. (021)5201 122, Fax. (021)5205 189

Ireland Newstead, Clonskeagh, DUBLIN 14,
Tel. (01)6933 55, Fax. (01)6978 56

Italy V. Le F. Testi, 327, 20162-MILANO,
Tel. (02)6752 2642, Fax. (02)6752 2648

Japan Philips Bldg 13-37, Kohnan 2-chome, Minato-ku, TOKIO 108,
Tel. (03)3740 5101, Fax. (03)37400 570

Korea (Republic of) Philips House, 260-199 Itaewon-dong,
Yongsan-ku, SEOUL, Tel. (02)794-5011, Fax. (02)798-8022

Malaysia No. 76 Jalan Universiti, 46200 PETALING JAYA,
SELANGOR, Tel. (03)7755 1088, Fax. (03)757 4880

Mexico Paseo Triunfo de la Republica, No. 215 Local 5, Cd Juarez
CHI HUA HUA 32340, Tel. (016)18-67-01/18-67-02

Netherlands Postbus 90050, 5600 PB EINDHOVEN,
Tel. (040)78 37 49, Fax. (040)78 83 99

New Zealand 2 Wagener Place, C.P.O. Box 1041, AUCKLAND,
Tel. (09)894-160, Fax. (09)897-811

Norway Box 1, Manglerud 0612, OSLO,
Tel. (02)74 8000, Fax. (02)74 8341

Pakistan Philips Markaz, M.A. Jinnah Rd., KARACHI-3,
Tel. (021)725 772

Peru Carretera Central 6.500, LIMA 3, Apartado 5612,
Tel. (014)35 00 59

Philippines PHILIPS SEMICONDUCTORS PHILIPPINES Inc,
106 Valero St. Salcedo Village, P.O. Box 911, MAKATI,
Metro MANILA, Tel. (02)810-0161, Fax. (02)817 3474

Portugal Av. Eng. Duarte Pacheco 6, 1009 LISBOA Codex,
Tel. (019)68 31 21, Fax. (019)65 80 13

Singapore Lorong 1, Toa Payoh, SINGAPORE 1231,
Tel. (65)350 2000, Fax. (65)25 1 6500

South Africa 195-215 Main Road, JOHANNESBURG 2000,
P.O. Box 7430, Tel. (011)8893 911, Fax. (011)8893 191

Spain Balmes 22, 08007 BARCELONA,
Tel. (03)301 63 12, Fax. (03)301 4243

Sweden Tegelluddsvägen 1, S-11584 STOCKHOLM,
Tel. (0)8-7821 000, Fax. (0)8-782 9002

Switzerland Allmendstrasse 140-142, CH-8027 ZÜRICH,
Tel. (01)488 22 11, Fax. (01)482 8595

Taiwan 581 Min Sheng East Road, P.O. Box 22978,
TAIPEI 10446, Tel. (2)509 7666, Fax. (2)500 5899

Thailand PHILIPS ELECTRICAL Co. of THAILAND Ltd.,
60/14 MOO 11, Bangna - Trad Road Km. 3

Prakanong, BANGKOK 10260,
Tel. (2)399-3280 to 9, (2)398-2083, Fax. (2)398-2080

Turkey Talatpasa Cad. No. 5, 80640 LEVENT/STANBUL,
Tel. (01)179 2770, Fax. (01)169 3094

United Kingdom Philips Semiconductors Limited, P.O. Box 65,
Philips House, Torrington Place, LONDON, WC1E 7HD,
Tel. (071)436 41 44, Fax. (071)323 03 42

United States INTEGRATED CIRCUITS:
811 East Arques Avenue, SUNNYVALE, CA 94088-3409,
Tel. (800)234-7831, Fax. (408)991-3581
DISCRETE SEMICONDUCTORS: 2001 West Blue Heron Blvd.,
P.O. Box 10330, RIVIERA BEACH, FLORIDA 33404,
Tel. (407)881-3200, Fax. (407)881-3300

Uruguay Coronel Mora 433, MONTEVIDEO,
Tel. (02)70-4044

Venezuela Calle 6, Ed. Las Tres Jotas, CARACAS, 1074A,
App. Post. 78117, Tel. (02)241 75 09

Zimbabwe 62 Mutare Road, HARARE, P.O. Box 994,
Tel. (04)47 211

For all other countries apply to: Philips Semiconductors,
International Marketing and Sales, Building BAF-1,
P.O. Box 218, 5600 MD, EINDHOVEN, The Netherlands,
Telex 35000 phtcnl, Fax. +31-40-724825

SCD12

© Philips Export B.V. 1992

All rights are reserved. Reproduction in whole or in part is prohibited without the prior written consent of the copyright owner.

The information presented in this document does not form part of any quotation or contract, is believed to be accurate and reliable and may be changed without notice. No liability will be accepted by the publisher for any consequence of its use. Publication thereof does not convey nor imply any license under patent- or other industrial or intellectual property rights.

Printed in The Netherlands

Date of release: 11-92

9397 705 20011

Philips Semiconductors



PHILIPS

034236 ✓ - B