



PRELIMINARY

CY7C271A

32K x 8 Power Switched and Reprogrammable PROM

Features

- **CMOS for optimum speed/power**
- **Windowed for reprogrammability**
- **High speed**
 - 25 ns (commercial)
 - 35 ns (military)
- **Low power**
 - 275 mW (commercial)
 - 330 mW (military)
- **Super low standby power**
 - Less than 85 mW when deselected
- **EPROM technology 100%programmable**
- **Slim 300-mil package**
- **Direct replacement for bipolar PROMs**
- **Capable of withstanding >4001V static discharge**

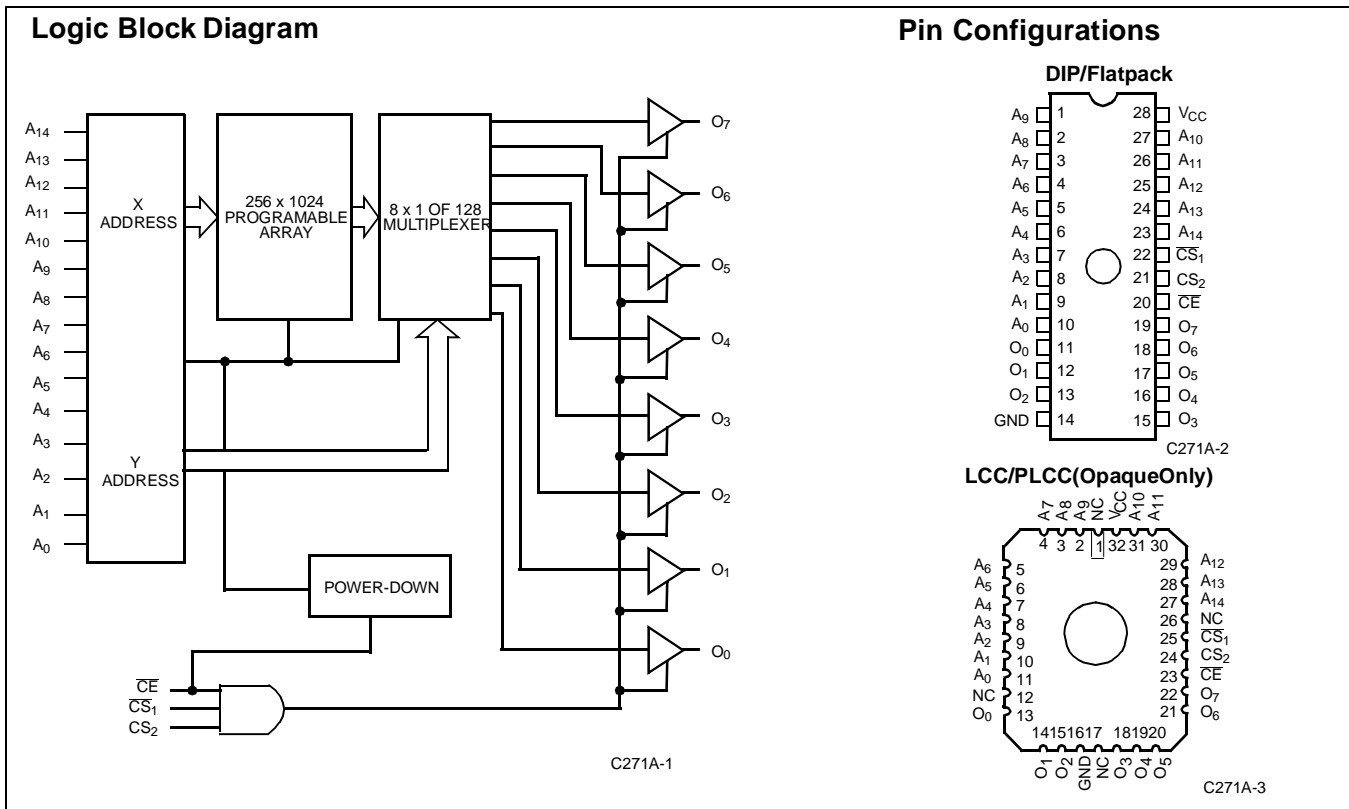
matically powers down into a low-power stand-by mode. The CY7C271A is packaged in the 300-mil slim package and is available in a cerDIP package equipped with an erasure window to provide for reprogrammability. When exposed to UV light, the PROM is erased and can be reprogrammed. The memory cells utilize proven EPROM floating gate technology and byte-wide intelligent programming algorithms.

The CY7C271A offers the advantages of lower power, superior performance, and programming yield. The EPROM cell requires only 12.5V for the super voltage, and low current requirements allow for gang programming. The EPROM cells allow each memory location to be tested 100% because each location is written into, erased, and repeatedly exercised prior to encapsulation. Each PROM is also tested for AC performance to guarantee that after customer programming, the product will meet DC and AC specification limits.

Reading the 7C271A is accomplished by placing active LOW signals on \overline{CS}_1 and \overline{CE} , and an active HIGH on CS_2 . The contents of the memory location addressed by the address lines ($A_0 - A_{14}$) will become available on the output lines ($O_0 - O_7$).

Functional Description

The CY7C271A is a high-performance 32,768-word by 8-bit CMOS PROM. When disabled (\overline{CE} HIGH), the 7C271A auto-





Selection Guide

| | | 7C271A-25 | 7C271A-30 | 7C271A-35 | 7C271A-45 | 7C271A-55 |
|--------------------------------|----------|-----------|-----------|-----------|-----------|-----------|
| Maximum Access Time (ns) | | 25 | 30 | 35 | 45 | 55 |
| Maximum Operating Current (mA) | Com'l | 75 | 75 | 50 | 50 | 50 |
| | Military | | | 85 | 60 | 60 |
| Standby Current (mA) | Com'l | 15 | 15 | 15 | 15 | 15 |
| | Military | | | 25 | 25 | 25 |

Maximum Ratings

(Above which the useful life may be impaired. For user guidelines, not tested.)

- Storage Temperature -65°C to +150°C
- Ambient Temperature with Power Applied..... -55°C to +125°C
- Supply Voltage to Ground Potential..... -0.5V to +7.0V
- DC Voltage Applied to Outputs in High Z State -0.5V to +7.0V
- DC Input Voltage -3.0V to +7.0V
- DC Program Voltage 13.0V

Static Discharge Voltage >4001V (per MIL-STD-883, Method 3015)

Latch-Up Current..... >200 mA

UV Exposure 7258 Wsec/cm²

Operating Range

| Range | Ambient Temperature | V _{CC} |
|---------------------------|---------------------|-----------------|
| Commercial | 0°C to +70°C | 5V ±10% |
| Industrial ^[1] | -40°C to +85°C | 5V ±10% |
| Military ^[2] | -55°C to +125°C | 5V ±10% |

Electrical Characteristics Over the Operating Range^[3, 4]

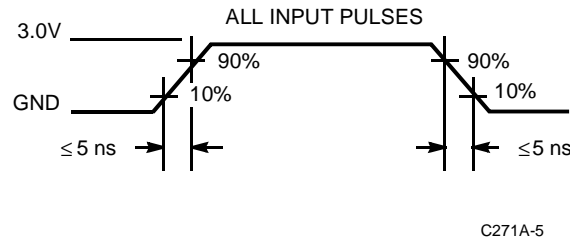
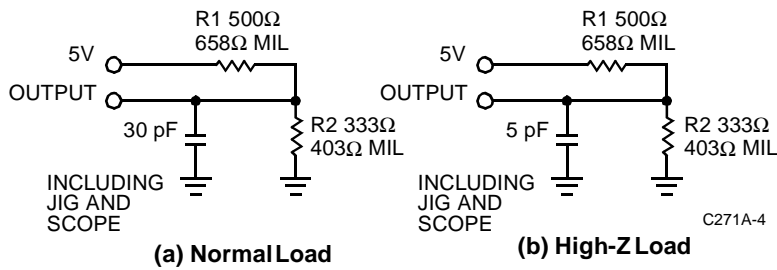
| Parameter | Description | Test Conditions | 7C271A-25 7C271A-30 | | 7C271A-35 | | 7C271A-45 7C271A-55 | | Unit |
|-----------------|---|---|------------------------|-----------------|-----------|-----------------|------------------------|-----------------|------|
| | | | Min. | Max. | Min. | Max. | Min. | Max. | |
| V _{OH} | Output HIGH Voltage | V _{CC} = Min., I _{OH} = -2.0 mA | 2.4 | | 2.4 | | 2.4 | | V |
| V _{OL} | Output LOW Voltage | V _{CC} = Min., I _{OL} = 8.0 mA | | 0.4 | | 0.4 | | 0.4 | V |
| V _{IH} | Input HIGH Level | Guaranteed Input Logical HIGH Voltage for All Inputs | 2.0 | V _{CC} | 2.0 | V _{CC} | 2.0 | V _{CC} | V |
| V _{IL} | Input LOW Level | Guaranteed Input Logical LOW Voltage for All Inputs | | 0.8 | | 0.8 | | 0.8 | V |
| I _{IX} | Input Leakage Current | GND ≤ V _{IN} ≤ V _{CC} | -10 | +10 | -10 | +10 | -10 | +10 | µA |
| I _{OZ} | Output Leakage Current | GND ≤ V _{OUT} ≤ V _{CC} , Output Disable | -10 | +10 | -10 | +10 | -10 | +10 | µA |
| I _{OS} | Output Short Circuit Current ^[5] | V _{CC} =Max, V _{OUT} =GND | -20 | -90 | -20 | -90 | -20 | -90 | mA |
| I _{CC} | Power Supply Current | V _{CC} =Max., I _{OUT} =0 mA, f=10 MHz | Com'l | 75 | | 50 | | 50 | mA |
| | | | Mil | | | 85 | | 60 | |
| I _{SB} | Stand-By Current | V _{CC} =Max., CE = V _{IH} | Com'l | 15 | | 15 | | 15 | mA |
| | | | Mil | | | 25 | | 25 | |

Capacitance^[4]

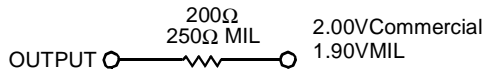
| Parameter | Description | Test Conditions | Max. | Unit |
|------------------|--------------------|--|------|------|
| C _{IN} | Input Capacitance | T _A = 25°C, f = 1 MHz, V _{CC} = 5.0V | 10 | pF |
| C _{OUT} | Output Capacitance | | 10 | pF |

Notes:

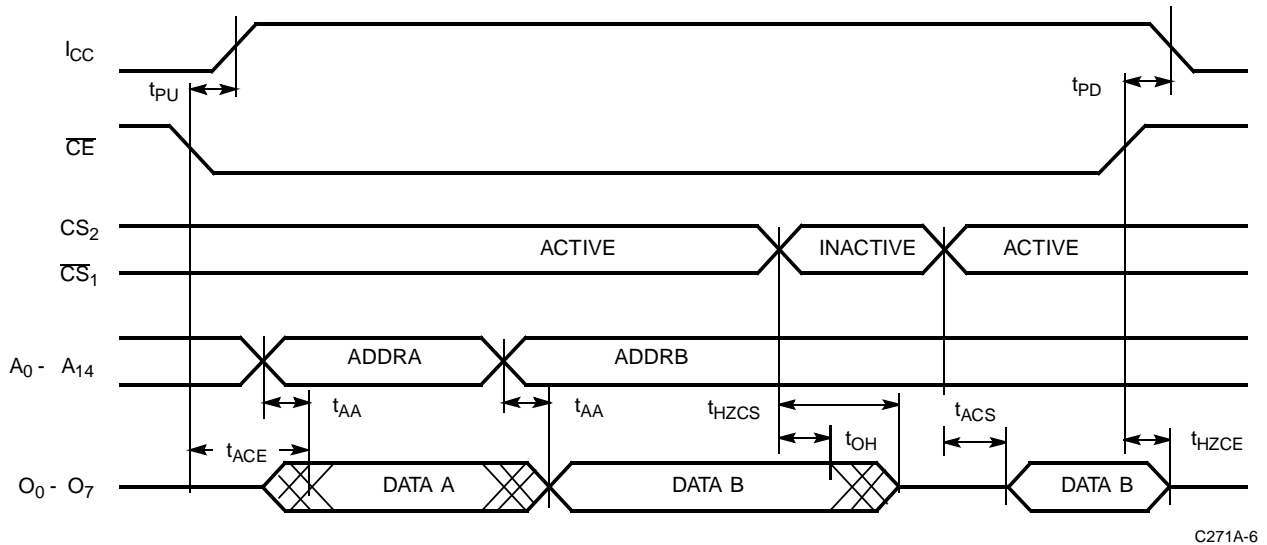
1. Contact a Cypress representative for information on industrial temperature range specifications.
2. T_A is the "instant on" case temperature.
3. See the last page of this specification for Group A subgroup testing information.
4. See Introduction to CMOS PROMs in this Data Book for general information on testing.
5. For test purposes, not more than one output at a time should be shorted. Short circuit test duration should not exceed 30 seconds.

AC Test Loads and Waveforms


Equivalent to: THÉVENIN EQUIVALENT


Switching Characteristics Over the Operating Range^[3,4]

| Parameter | Description | 7C271A-25 | | 7C271A-30 | | 7C271A-35 | | 7C271A-45 | | 7C271A-55 | | Unit |
|------------|--|-----------|------|-----------|------|-----------|------|-----------|------|-----------|------|------|
| | | Min. | Max. | Min. | Max. | Min. | Max. | Min. | Max. | Min. | Max. | |
| t_{AA} | Address to Output Valid | | 25 | | 30 | | 35 | | 45 | | 55 | ns |
| t_{ACS} | $\overline{CS}_1/\overline{CS}_2$ Active to Output Valid | | 12 | | 18 | | 18 | | 18 | | 20 | ns |
| t_{ACE} | \overline{CE} Active to Output Valid | | 30 | | 35 | | 35 | | 45 | | 55 | ns |
| t_{HZCS} | $\overline{CS}_1/\overline{CS}_2$ Inactive to High Z | | 12 | | 18 | | 18 | | 18 | | 20 | ns |
| t_{HZCE} | \overline{CE} Inactive to High Z | | 12 | | 18 | | 18 | | 18 | | 20 | ns |
| t_{PU} | \overline{CE} Active to Power-Up | 0 | | 0 | | 0 | | 0 | | 0 | | ns |
| t_{PD} | \overline{CE} Inactive to Power-Down | | 30 | | 35 | | 40 | | 40 | | 50 | ns |
| t_{OH} | Output Data Hold | 0 | | 0 | | 0 | | 0 | | 0 | | ns |

Switching Waveform


C271A-6

Erase Characteristics

Wavelengths of light less than 4000 Angstroms begin to erase the CY7C271A in the windowed package. For this reason, an opaque label should be placed over the window if the PROM is exposed to sunlight or fluorescent lighting for extended periods of time.

The recommended dose of ultraviolet light for erasure is a wavelength of 2537 Angstroms for a minimum dose (UV intensity multiplied by exposure time) of 25 Wsec/cm². For an ultraviolet lamp with a 12 mW/cm² power rating, the exposure time would be approximately 35 minutes. The CY7C271A needs to

be within 1 inch of the lamp during erasure. Permanent damage may result if the PROM is exposed to high-intensity UV light for an extended period of time. 7258 Wsec/cm² is the recommended maximum dosage.

Programming Modes

Programming support is available from Cypress as well as from a number of third-party software vendors. For detailed programming information, including a listing of software packages, please see the PROM Programming Information located at the end of this section. Programming algorithms can be obtained from any Cypress representative.

Table 1. Programming Electrical Characteristics.

| Parameter | Description | Min. | Max. | Unit |
|-----------|--------------------------------|------|----------|------|
| V_{PP} | Programming Power Supply | 12.5 | 13 | V |
| I_{PP} | Programming Supply Current | | 50 | mA |
| V_{IHP} | Programming Input Voltage HIGH | 3.0 | V_{CC} | V |
| V_{ILP} | Programming Input Voltage LOW | -0.5 | 0.4 | V |
| V_{CCP} | Programming V_{CC} | 6.0 | 6.5 | V |

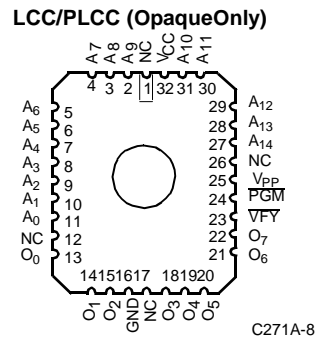
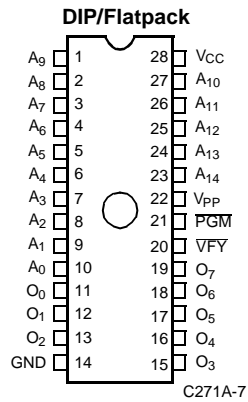
Table 2. Mode Selection.

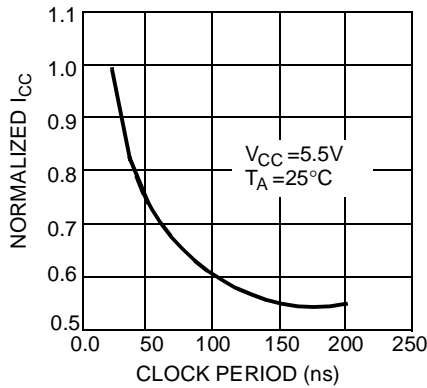
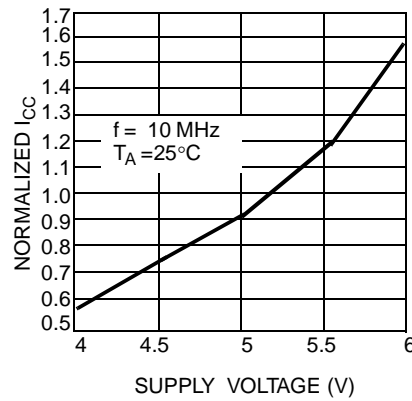
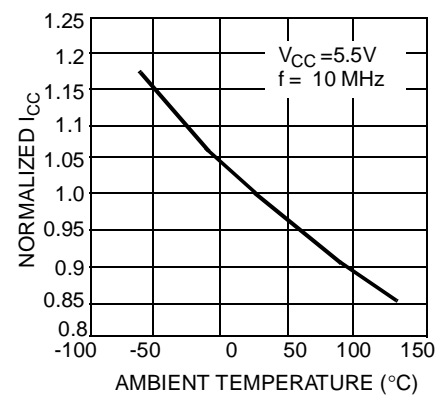
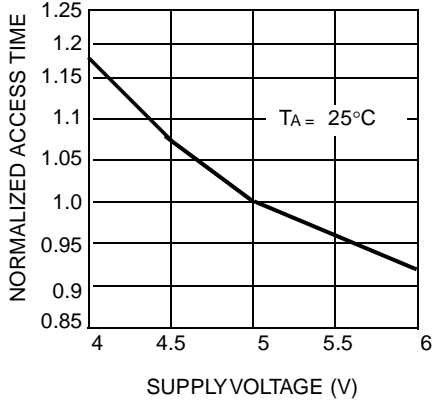
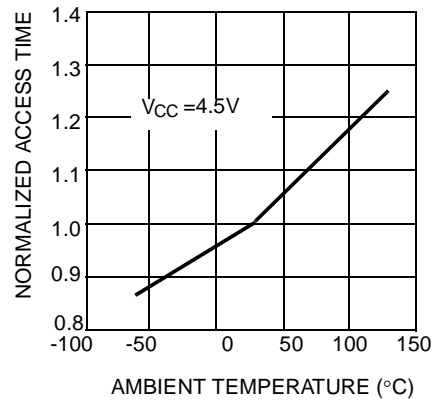
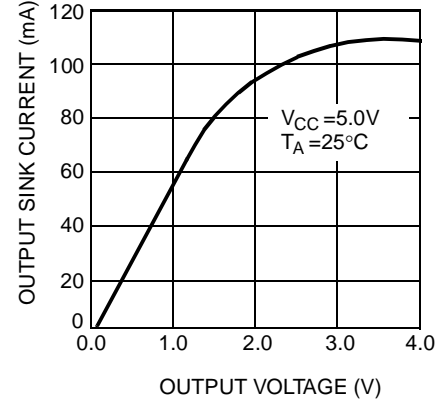
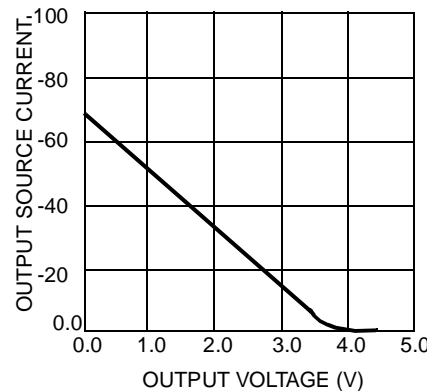
| Mode | Pin Function ^[6] | | | | | |
|-----------------|----------------------------------|----------------------|------------------|------------------|--------------------------------|---------------------------------|
| | CS ₁ /V _{PP} | CS ₂ /PGM | CE/VFY | A ₀ | A ₉ | Data |
| Read | V _{IL} | V _{IH} | V _{IL} | A ₀ | A ₉ | O ₇ - O ₀ |
| Output Disable | V _{IH} | V _{IH} | V _{IL} | A ₀ | A ₉ | High Z |
| Output Disable | V _{IL} | V _{IL} | V _{IL} | A ₀ | A ₉ | High Z |
| Stand-by | X | X | V _{IH} | A ₀ | A ₉ | High Z |
| Program | V _{PP} | V _{ILP} | V _{IHP} | A ₀ | A ₉ | D ₇ - D ₀ |
| Program Verify | V _{PP} | V _{IHP} | V _{ILP} | A ₀ | A ₉ | O ₇ - O ₀ |
| Program Inhibit | V _{PP} | V _{IHP} | V _{IHP} | X | X | X |
| Signature (MFG) | V _{ILP} | V _{ILP} | V _{ILP} | V _{ILP} | V _{HV} ^[7] | 34H |
| Signature (DEV) | V _{ILP} | V _{ILP} | V _{ILP} | V _{IHP} | V _{HV} ^[7] | 20H |

Notes:

- 6. X can be V_{IL} or V_{IH}.
- 7. V_{HV}=12±0.5V

Programming Pinouts



Typical DC and AC Characteristics
NORMALIZED SUPPLY CURRENT vs. CYCLE PERIOD

NORMALIZED SUPPLY CURRENT vs. SUPPLY VOLTAGE

NORMALIZED SUPPLY CURRENT vs. AMBIENT TEMPERATURE

NORMALIZED ACCESS TIME vs. SUPPLY VOLTAGE

NORMALIZED ACCESS TIME vs. AMBIENT TEMPERATURE

OUTPUT SINK CURRENT vs. OUTPUT VOLTAGE

OUTPUT SOURCE CURRENT vs. OUTPUT VOLTAGE


Ordering Information^[8]

| Speed (ns) | Ordering Code | Package Name | Package Type | Operating Range |
|------------|----------------|--------------|---|-----------------|
| 25 | CY7C271A-25JC | J65 | 32-Lead Plastic Leaded Chip Carrier | Commercial |
| 30 | CY7C271A-30JC | J65 | 32-Lead Plastic Leaded Chip Carrier | Commercial |
| | CY7C271A-30PC | P21 | 28-Lead (300-Mil) Molded DIP | |
| | CY7C271A-30WC | W22 | 28-Lead (300-Mil) Windowed CerDIP | |
| 35 | CY7C271A-35JC | J65 | 32-Lead Plastic Leaded Chip Carrier | Commercial |
| | CY7C271A-35PC | P21 | 28-Lead (300-Mil) Molded DIP | |
| | CY7C271A-35WC | W22 | 28-Lead (300-Mil) Windowed CerDIP | |
| | CY7C271A-35DMB | D22 | 28-Lead (300-Mil) CerDIP | Military |
| | CY7C271A-35KMB | K74 | 28-Lead Rectangular Cerpack | |
| | CY7C271A-35LMB | L55 | 32-Pin Rectangular Leadless Chip Carrier | |
| | CY7C271A-35QMB | Q55 | 32-Pin Windowed Rectangular Leadless Chip Carrier | |
| | CY7C271A-35TMB | T74 | 28-Lead Windowed Cerpack | |
| | CY7C271A-35WMB | W22 | 28-Lead (300-Mil) Windowed CerDIP | |
| 45 | CY7C271A-45JC | J65 | 32-Lead Plastic Leaded Chip Carrier | Commercial |
| | CY7C271A-45PC | P21 | 28-Lead (300-Mil) Molded DIP | |
| | CY7C271A-45WC | W22 | 28-Lead (300-Mil) Windowed CerDIP | |
| | CY7C271A-45DMB | D22 | 28-Lead (300-Mil) CerDIP | Military |
| | CY7C271A-45KMB | K74 | 28-Lead Rectangular Cerpack | |
| | CY7C271A-45LMB | L55 | 32-Pin Rectangular Leadless Chip Carrier | |
| | CY7C271A-45QMB | Q55 | 32-Pin Windowed Rectangular Leadless Chip Carrier | |
| | CY7C271A-45TMB | T74 | 28-Lead Windowed Cerpack | |
| | CY7C271A-45WMB | W22 | 28-Lead (300-Mil) Windowed CerDIP | |
| 55 | CY7C271A-55JC | J65 | 32-Lead Plastic Leaded Chip Carrier | Commercial |
| | CY7C271A-55PC | P21 | 28-Lead (300-Mil) Molded DIP | |
| | CY7C271A-55WC | W22 | 28-Lead (300-Mil) Windowed CerDIP | |
| | CY7C271A-55DMB | D22 | 28-Lead (300-Mil) CerDIP | Military |
| | CY7C271A-55KMB | K74 | 28-Lead Rectangular Cerpack | |
| | CY7C271A-55LMB | L55 | 32-Pin Rectangular Leadless Chip Carrier | |
| | CY7C271A-55QMB | Q55 | 32-Pin Windowed Rectangular Leadless Chip Carrier | |
| | CY7C271A-55TMB | T74 | 28-Lead Windowed Cerpack | |
| | CY7C271A-55WMB | W22 | 28-Lead (300-Mil) Windowed CerDIP | |

Notes:

8. Most of these products are available in industrial temperature range. Contact a Cypress representative for specifications and product availability.

MILITARY SPECIFICATIONS
Group A Subgroup Testing**DC Characteristics**

| Parameter | Subgroups |
|-----------|-----------|
| V_{OH} | 1, 2, 3 |
| V_{OL} | 1, 2, 3 |
| V_{IH} | 1, 2, 3 |
| V_{IL} | 1, 2, 3 |
| I_{IX} | 1, 2, 3 |
| I_{OZ} | 1, 2, 3 |
| I_{CC} | 1, 2, 3 |
| I_{SB} | 1, 2, 3 |

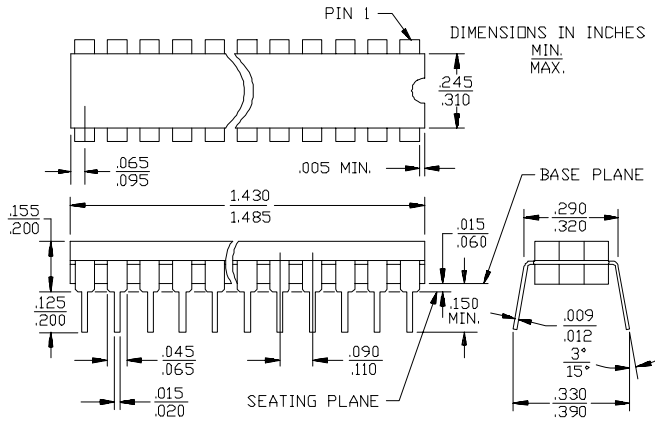
Switching Characteristics

| Parameter | Subgroups |
|-----------|-----------------|
| t_{AA} | 7, 8, 9, 10, 11 |
| t_{ACS} | 7, 8, 9, 10, 11 |
| t_{ACE} | 7, 8, 9, 10, 11 |

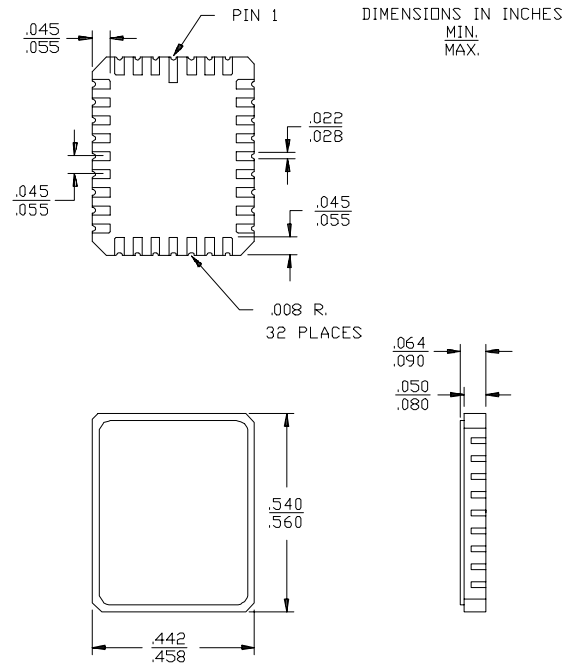
Document #: 38-00424-A

Package Diagrams

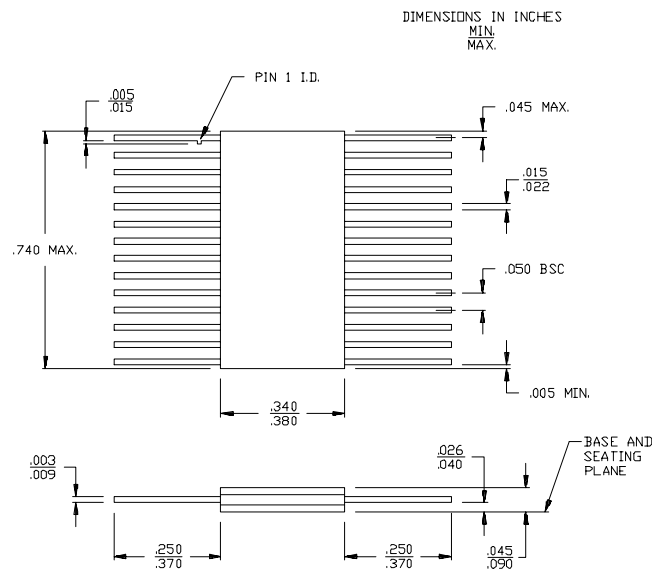
28-Lead (300-Mil) CerDip D22
MIL-STD-1835 D-15 Config A



32-Pin Rectangular Leadless Chip Carrier L55
MIL-STD-1835 C-12

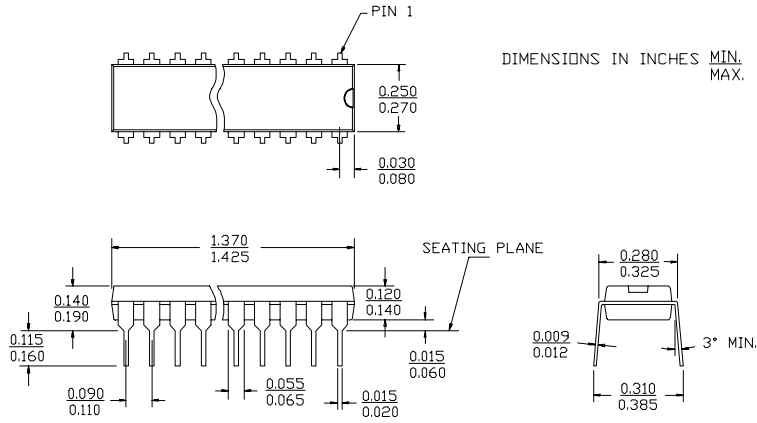


28-Lead Rectangular Cerpack K74
MIL-STD-1835 F-11 Config. A

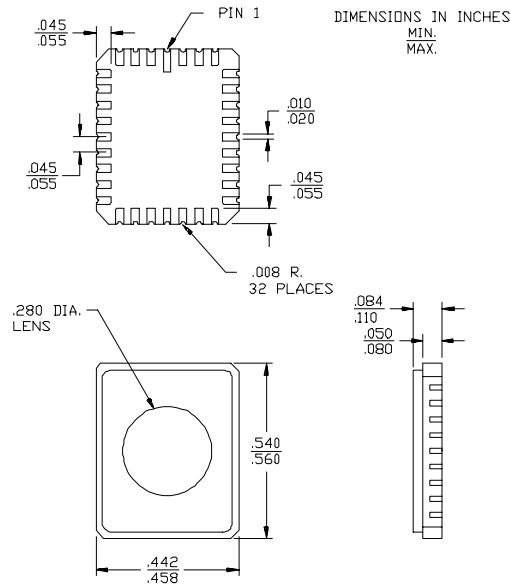


Package Diagrams (continued)

28-Lead (300-MIL) Molded DIP P21

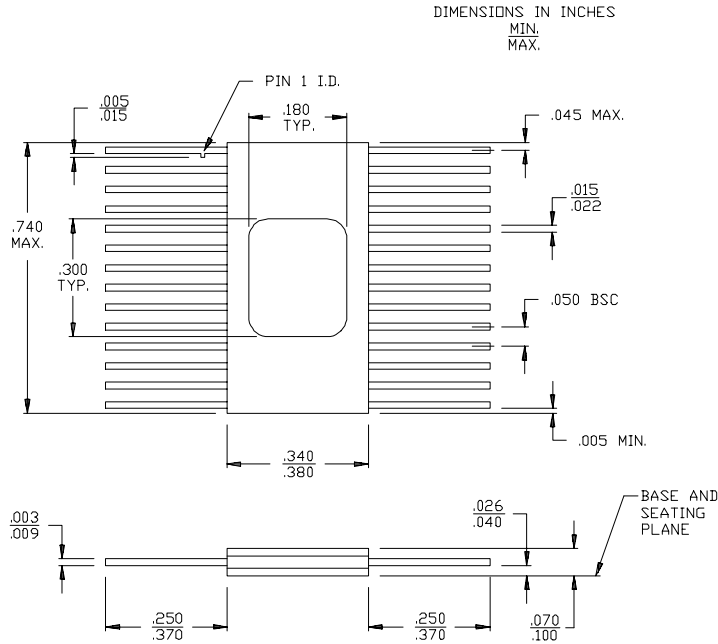


**32-Pin Windowed Rectangular Leadless Chip Carrier
Q55 MIL-STD-1835 C-12**



Package Diagrams (continued)

28-Lead Windowed Cerpack T74



28-Lead (300-MIL) Windowed CerDIP W22
MIL-STD-1835 D-15 Config A

