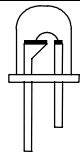




CDS , ON/OFF , OSH  
RGB LED IC

三色灯 LED IC

LED FLASH	
M1347	

### FEATURES 功能叙述

- Auto: 6 段自动调速.
- SEL: 选择花样, 长按 > 2 SEC 自动 OFF 功能  
(Auto mode 此功能无效), 再按进入下一段.
- OSH: 8 cycle.
- S1、S2: 4 段花样选择.
- Pause: 色彩及亮度暂停功能.

### APPLICATION 产品应用

- Blinking LED, Function indicator, R.G.B Mix etc..

### ELECTRICAL CHARACTERISTICS 电气规格

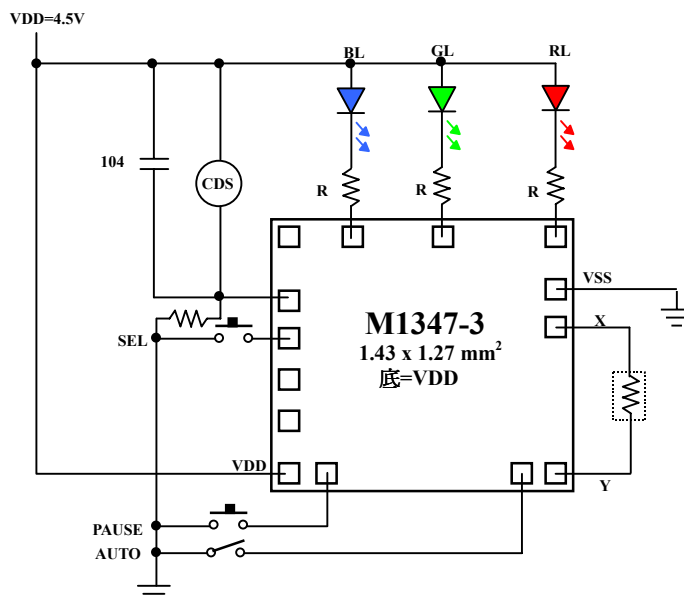
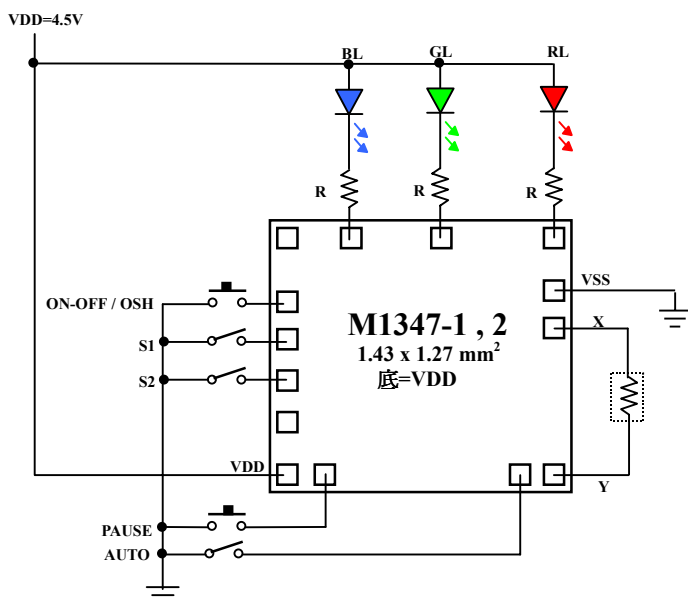
( @V<sub>DD</sub>=3V unless otherwise specified )

Characteristics	Sym.	Min.	Typ.	Max.	Unit	REMARKS
工作电压 Operating Voltage	V <sub>DD</sub>	1.5	3	4.5	V	
工作电流 Operating Current	I <sub>OP</sub>	—	0.1	0.5	mA	No load
静态电流 Quiescent Current	I <sub>SB</sub>	—	1	5	μ A	
推动电流 Driving Current	I <sub>OL</sub>	20	—	—	mA	@V <sub>DS</sub> = 1.2 V
振荡频率 Oscillator Frequency	F <sub>LED</sub>	—	200	—	KHz	±30% TOL.
工作温度 Operating Temperature	Temp.	0	25	60	°C	

### APPLICATION DIAGRAM 参考电路图

- \* M1347-1: ON/OFF CONTROL
- \* M1347-2: ONE-SHOT CONTROL

- \* M1347-3 : CDS ( 4 PATTERN SELECT )



\* M1347-1 / -2

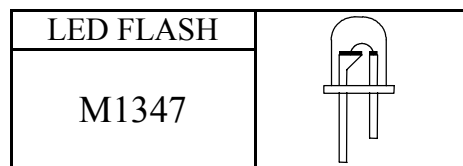
S1	S2	SECTION
X	X	1
VSS	X	2
X	VSS	3
VSS	VSS	4

\*All specs and applications shown above subject to change without prior notice.  
( 以上电路及规格仅供参考, 本公司得径行修正 )

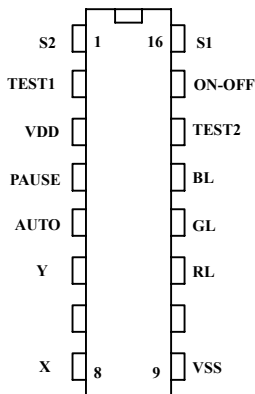


CDS , ON/OFF , OSH  
RGB LED IC

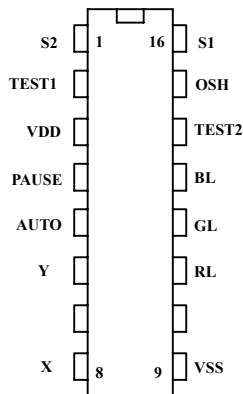
三色灯 LED IC



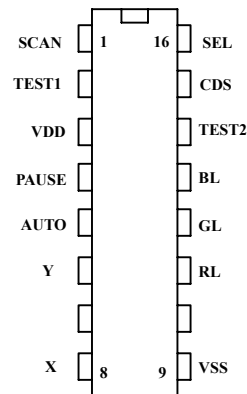
**M1347-1P**



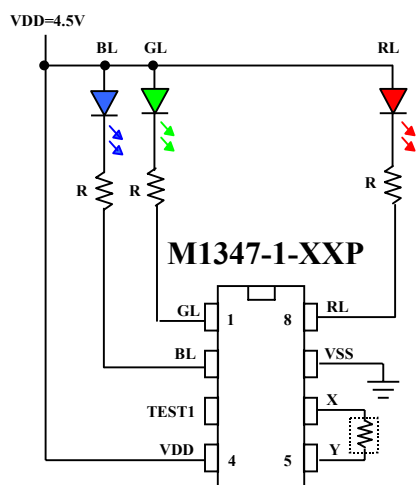
**M1347-2P**



**M1347-3P**



**\* S.O Package 8 PIN**



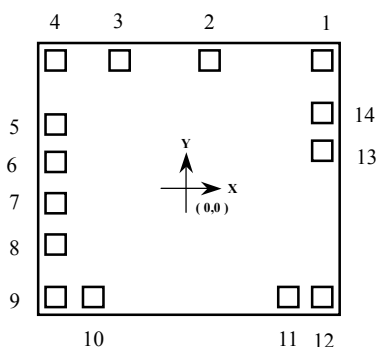
\* Power-on flash.

\* 4 section pattern select ( bonding option ).

**\* M1347-1**

Sestion	Suffix	Function
1	C1	1/2 Phase
2	C2	七彩渐明渐暗
3	C3	七彩变化
4	C4	多彩变化

**PAD ASSIGNMENT & POSITION**



UNIT : um

No.	NAME	X	Y
1	RL	592	514
2	GL	94	514
3	BL	-307	514
4	TEST2	-592	514
5	K1	-592	230.5
6	K2	-592	54
7	K3	-592	-122.5
8	TEST1	-592	-299
9	VDD	-592	-514
10	PAUSE	-423	-514
11	OP	426.75	-514
12	Y	592	-514
13	X	592	120.25
14	VSS	592	280.25

\* CHIP SIZE ~ 1.43 x 1.27 mm<sup>2</sup>

\* IC substrate should be connected to VDD in PCB (PCB 上 IC 必须接 VDD)

( 以上电路及规格仅供参考,本公司得径行修正 )