

Sensor Applications Reference Design (SARD)

User's Guide

MC13192SARDUG/D
Rev. 1.0, 07/2004



MOTOROLA
intelligence everywhere™

digital dna™ 

Freescale Semiconductor, Inc.

HOW TO REACH US:

USA/EUROPE/LOCATIONS NOT LISTED:

Motorola Literature Distribution;
P.O. Box 5405, Denver, Colorado 80217
1-303-675-2140 or 1-800-441-2447

JAPAN:

Motorola Japan Ltd.; SPS, Technical Information Center,
3-20-1, Minami-Azabu Minato-ku, Tokyo 106-8573 Japan
81-3-3440-3569

ASIA/PACIFIC:

Motorola Semiconductors H.K. Ltd.; Silicon Harbour
Centre, 2 Dai King Street, Tai Po Industrial Estate,
Tai Po, N.T., Hong Kong
852-26668334

TECHNICAL INFORMATION CENTER:

1-800-521-6274

HOME PAGE:

<http://www.motorola.com/semiconductors>

Information in this document is provided solely to enable system and software implementers to use Motorola products. There are no express or implied copyright licenses granted hereunder to design or fabricate any integrated circuits or integrated circuits based on the information in this document.

Motorola reserves the right to make changes without further notice to any products herein. Motorola makes no warranty, representation or guarantee regarding the suitability of its products for any particular purpose, nor does Motorola assume any liability arising out of the application or use of any product or circuit, and specifically disclaims any and all liability, including without limitation consequential or incidental damages. "Typical" parameters which may be provided in Motorola data sheets and/or specifications can and do vary in different applications and actual performance may vary over time. All operating parameters, including "Typicals" must be validated for each customer application by customer's technical experts. Motorola does not convey any license under its patent rights nor the rights of others. Motorola products are not designed, intended, or authorized for use as components in systems intended for surgical implant into the body, or other applications intended to support or sustain life, or for any other application in which the failure of the Motorola product could create a situation where personal injury or death may occur. Should Buyer purchase or use Motorola products for any such unintended or unauthorized application, Buyer shall indemnify and hold Motorola and its officers, employees, subsidiaries, affiliates, and distributors harmless against all claims, costs, damages, and expenses, and reasonable attorney fees arising out of, directly or indirectly, any claim of personal injury or death associated with such unintended or unauthorized use, even if such claim alleges that Motorola was negligent regarding the design or manufacture of the part.

Motorola and the Stylized M Logo are registered in the U.S. Patent and Trademark Office. All other product or service names are the property of their respective owners. Motorola, Inc. is an Equal Opportunity/Affirmative Action Employer.

© Motorola, Inc. 2004

Contents

Chapter 1 Introduction and Configuration

1.1	Safety Information	1-1
1.2	MC13192 Sensor Applications Reference Design (SARD) Components	1-1
1.3	Hardware Description	1-3
1.3.1	MC13192 SARD Circuit Description	1-3
1.3.2	RS232 Connector J102	1-5
1.3.3	Power Capability	1-6
1.3.4	LEDs and Switches	1-6
1.3.5	Board Reset Function	1-6
1.3.6	MCU General Purpose Input/Output (GPIO)	1-6
1.3.7	BDM Port	1-6
1.4	Applications and Programming Information	1-7
1.4.1	Accelerometer Application Demo	1-7
1.4.2	Programming the SARD (User Defined Software)	1-7

Appendix A SARD Board Layout and Bill of Materials

List of Figures

Figure 1-1	Point to Point MC13192 SARD Block Diagram	1-3
Figure 1-2	MC13192 SARD Schematic.	1-4
Figure 1-3	DCE-DB9 Female Connector (Looking into the SARD Connector)	1-5
Figure 1-4	SARD Component Layout	1-5
Figure A-1	PCB Layout (Top View).	A-1
Figure A-2	PCB Layout (Bottom View).	A-2
Figure A-3	Printed Circuit Board Antenna Dimensions	A-3

List of Tables

Table 1-1	LED and Switch Port Connection.....	1-6
Table A-1	Bill of Materials (BOM).....	A-4

About This Book

This guide provides detailed information about the MC13192 Sensor Applications Reference Design (SARD). The SARD provides all the components to evaluate and use an MC13192. It is intended to allow a system engineer or software developer to gain an understanding of the MC13192 and its protocol.

Audience

The guide is intended for software and system engineers who are developing their products or software applications making use of the MC13192 to achieve wireless connectivity capability.

It is assumed that the reader has a good working knowledge of general-purpose microcontrollers (MCU).

Organization

The book is divided into 1 chapter and 1 appendix.

Chapter 1 introduces the MC13192 Sensor Applications Reference Design (SARD) functionality and features.

Appendix A provides figures of the SARD printed circuit board.

Conventions

This section names, describes, and defines the conventions used in the book. This document uses the following conventions:

- **OVERBAR** is used to indicate a signal that is active when pulled low: for example, $\overline{\text{RESET}}$.
- *Logic level one* is a voltage that corresponds to Boolean true (1) state.
- *Logic level zero* is a voltage that corresponds to Boolean false (0) state.
- To *set* a bit or bits means to establish logic level one.
- To *clear* a bit or bits means to establish logic level zero.
- A *signal* is an electronic construct whose state conveys or changes in state convey information.
- A *pin* is an external physical connection. The same pin can be used to connect a number of signals.
- *Asserted* means that a discrete signal is in active logic state.
 - *Active low* signals change from logic level one to logic level zero.
 - *Active high* signals change from logic level zero to logic level one.
- *Negated* means that an asserted discrete signal changes logic state.
 - *Active low* signals change from logic level zero to logic level one.
 - *Active high* signals change from logic level one to logic level zero.
- **LSB** means *least significant bit or bits*, and **MSB** means *most significant bit or bits*. References to low and high bytes or words are spelled out.

Definitions, Acronyms, and Abbreviations

The following list defines the acronyms and abbreviations used in this document. As this template develops, this list will be generated from the document. As we develop more group resources, these acronyms will be easily defined from a common acronym dictionary. Please note that while the acronyms are in solid caps, terms in the definition should be initial capped ONLY IF they are trademarked names or proper nouns.

ISM	Industrial Scientific Medical
PER	packet error rate
RF	radio frequency
Rx	receive
SPI	serial peripheral interface
Tx	transmit

References

The following sources were referenced to produce this book:

- [1] ESD Style Guide.
- [2] IEEE Guide to Software Requirements Specifications, July 1984

Document Change History

Release	Date	Change Summary
0.1	May 21, 2004	Initial document creation.
0.2	May 24, 2004	Multiple edits, new lo resolution board picture, new BOM.
0.3	May 27, 2004	Multiple edits.
0.4	June 18, 2004	Updated BOM, PCB layouts, and text edits throughout.
0.5	June 21, 2004	Removed 191 references, changed to UG

Chapter 1

Introduction and Configuration

This section introduces the MC13192 Sensor Applications Reference Design (SARD) basic components, features, hardware configuration, and applications and programming options.

1.1 Safety Information

Any modifications to this product may violate the rules of the Federal Communications Commission and make operation of the product unlawful.

47 C.F.R. Sec. 15.21

This equipment has been tested and found to comply with the limits for a Class B digital device, pursuant to part 15 of the FCC Rules. These limits are designed to provide reasonable protection against harmful interference in a residential installation. This equipment generates, uses and can radiate radio frequency energy and, if not installed and used in accordance with the instructions, may cause harmful interference to radio communications. However, there is no guarantee that interference will not occur in a particular installation. If this equipment does cause harmful interference to radio or television reception, which can be determined by turning the equipment off and on, the user is encouraged to try to correct the interference by one or more of the following measures:

- Reorient or relocate the receiving antenna.
- Increase the separation between the equipment and receiver.
- Connect the equipment into an outlet on a circuit different from that to which the receiver is connected.
- Consult the dealer or an experienced radio/TV technician for help.

47 C.F.R. Sec.15.105(b)

1.2 MC13192 Sensor Applications Reference Design (SARD) Components

The MC13192 Sensor Applications Reference Design (SARD) introduces users to the MC13192 2.4 GHz wireless data transceiver. It includes an RS232 port, background debug module for in-circuit hardware debug, switches, LEDs, and a host MCU and allows the user flexibility in establishing wireless data networks.

Features of the MC13192 SARD include:

- Provides all hardware required for a complete 2.4 GHz wireless node using IEEE 802.15.4 packet structure.
- One MC13192 2.4 GHz transceiver RF reference design with printed circuit antenna.
- One MC9S08GT60 low-power, low-voltage MCU with 60KB of on-chip Flash.
- Background Debug Module (BDM) programming port for support of Metrowerks CodeWarrior™ Development Studio.

- Provides IEEE 802.15.4 modem.
- Two Accelerometers: MMA6261Q (X and Y axis), MMA1260D (Z axis)
- RS-232 port for interface with a personal computer.
- Four switches and LEDs for control and monitoring.
- Reset switch for program reset.
- Scalable software support:
 - Proprietary point-to-point or star networking using Freescale's Simple Medium Access Control (SMAC) software
 - IEEE 802.15.4 Standard compliant networking using Freescale's MAC/PHY
 - ZigBee™ networking using Freescale's Z-stack software

1.3 Hardware Description

As previously stated, the MC13192 Sensor Applications Reference Design (SARD) provides the hardware required to establish a wireless node using a variety of protocols. Figure 1-1 shows a simplified block diagram of two SARDs connected in a simple point-to-point network. Optional personal computers are shown for control and monitoring.

The SARD is a 2 inch x 3 inch module that comprises a complete network node containing the MC13192, crystal, printed circuit antenna and MCU. Also included are jumper-selectable X-Y and Z Axis Accelerometers, four switches, and four LEDs for monitoring purposes. The SARD derives its power from a 9V battery or a 2.1 mm power connector which allows a supply of 5.5 to 9V.

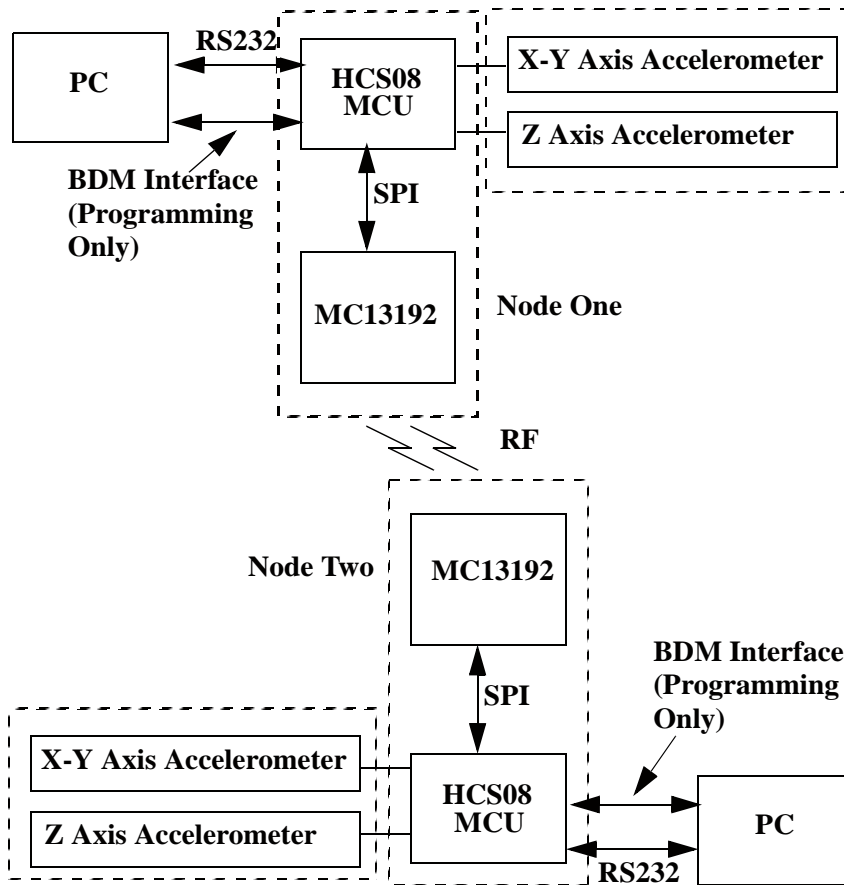


Figure 1-1. Point to Point MC13192 SARD Block Diagram

1.3.1 MC13192 SARD Circuit Description

Figure 1-2 shows the MC13192 SARD schematic. Appendix A includes board layout, including the printed dipole receive and transmit antennas, and Bill of Material information. All circuitry required for a 2.4 GHz wireless node is provided. The heart of the design is the MC13192 2.4 GHz transceiver and the MC9S08GT60 microcontroller. All connections for control of the transceiver by the MCU are provided. Peripherally, four LEDs and switches interfacing with the MCU are provided for control and demonstration purposes.

Three accelerometers are provided. An MMA6261Q (X and Y axis) and an MMA1260D (Z axis) for demonstration purposes. A Background Debug Module (BDM) port is provided for programming using the CodeWarrior™ Development Studio to develop and in-circuit debug code and program the MCU. An RS-232 interface is provided to allow monitoring or programming.

1.3.2 RS232 Connector J102

The RS232 port is J102, a DB9 connector. A standard straight-through DB9 serial cable can be used with a PC. The port follows the standard RS232 DCE DB9 convention as shown in Figure 1-3. The RS232 is normally used to connect the SARD to a PC. With an installed bootloader program such as the Sensor Applications Reference Design (SARD) Embedded Bootloader program, described in document number MC13192FLUG/D, it can also be used to program the MCU.

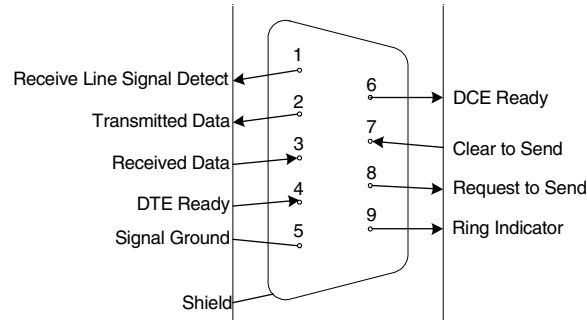


Figure 1-3. DCE-DB9 Female Connector (Looking into the SARD Connector)

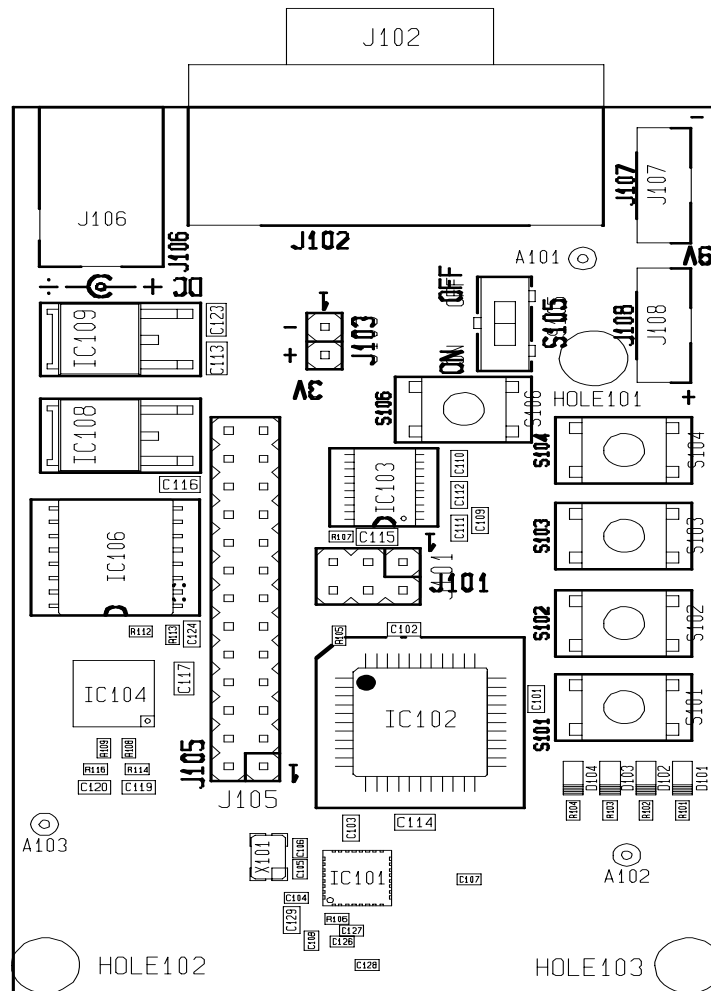


Figure 1-4. SARD Component Layout

1.3.3 Power Capability

The SARD can be powered from a 5.5 to 9 V supply connected to J106 or a 9 V battery connected to the board-mounted battery terminals. See Figure 1-4 for J106 and battery terminal placement. If the accelerometers are not used, 2.0-3.4V can be supplied on J103. In this configuration, the accelerometer outputs are indeterminate.

1.3.4 LEDs and Switches

D101 through D104 and Switches S101 through S104 are connected to I/O as shown on the SARD schematic and in Figure 1-4. These are useful as indicators and control in applications. Connections to MCU ports are listed in Table 1-1. The on-off switch, S105 is labeled on the board.

Table 1-1. LED and Switch Port Connection

LED/Switch	MCU Port	I/O
LED 1, D101	PTD0	Output
LED 2, D102	PTD1	Output
LED 3, D103	PTD3	Output
LED 4, D104	PTD4	Output
RESET, S106	RESET	----
S101	PTA2	Input
S102	PTA3	Input
S103	PTA4	Input
S104	PTA5	Input

1.3.5 Board Reset Function

A hardware reset can be performed on the SARD in two ways:

- The Reset push button.
- The MCU resets the SARD as part of its startup sequence when power is applied and the On/Off switch is turned on.

In both cases, the reset sequence resets the MCU which, in turn, resets the MC13192.

1.3.6 MCU General Purpose Input/Output (GPIO)

Figure 1-4 shows the MCU GPIO that can be interfaced with external hardware such as sensors. When using the on-board accelerometers, shunts must be installed at PTB0, PTB1, and PTB7, which corresponds to pins 1 and 2, 3 and 4, 11 and 12, of J105, to connect the accelerometer ICs to the MCU. For user defined applications, these shunts can be removed and other hardware attached to the GPIO pins.

1.3.7 BDM Port

Header J101 is a BDM port for use with a P&E BDM-Multilink cable which is available from Metrowerks. The BDM cable is used with CodeWarrior™ Development Studio for the HCS08 to program the MCU flash memory as well as performing in-circuit debugging. See Figure 1-4 for the position of pin 1. The red lead of the BDM cable must align to pin 1 of J101.

When using the parallel port version of the BDM cable, the BDM pod should be powered with a 2 - 5 V negative center contact power supply or the SARD should be powered by a power supply through J106. A 9 V battery is not capable of sourcing the current required by the parallel BDM pod during programming and debug.

1.4 Applications and Programming Information

1.4.1 Accelerometer Application Demo

The SARD comes pre-programmed with the accelerometer demo software. Consult the “*Accelerometer Demonstration Quick Start Guide*”, document number AN2762/D for installation and startup instructions. The receiver is connected to a PC COM port via an RS232 cable. The 9 V battery needs to be installed on the battery terminals or a power supply must be connected to J106 and the on/off switch turned on. Start the accelerometer GUI software, available from our website, and choose the COM port you are using in the dialog box. Install the 9 V battery on the transmitter and turn it on. On the PC screen you can select various ways to display the accelerometer data. One popular way is the cursor mode where you can watch the cursor position move as the transmitter is moved.

1.4.2 Programming the SARD (User Defined Software)

A BDM programmer is used to load the MCU flash memory. Alternatively, the Sensor Applications Reference Design (SARD) Embedded Bootloader software, described in the, *Sensor Applications Reference Design (SARD) User's Guide*, document number MC13192FLUG/D, can be installed and the SARD can be programmed through the RS-232 port.

Appendix A SARD Board Layout and Bill of Materials

Figure A-1 shows the SARD printed circuit board layout.

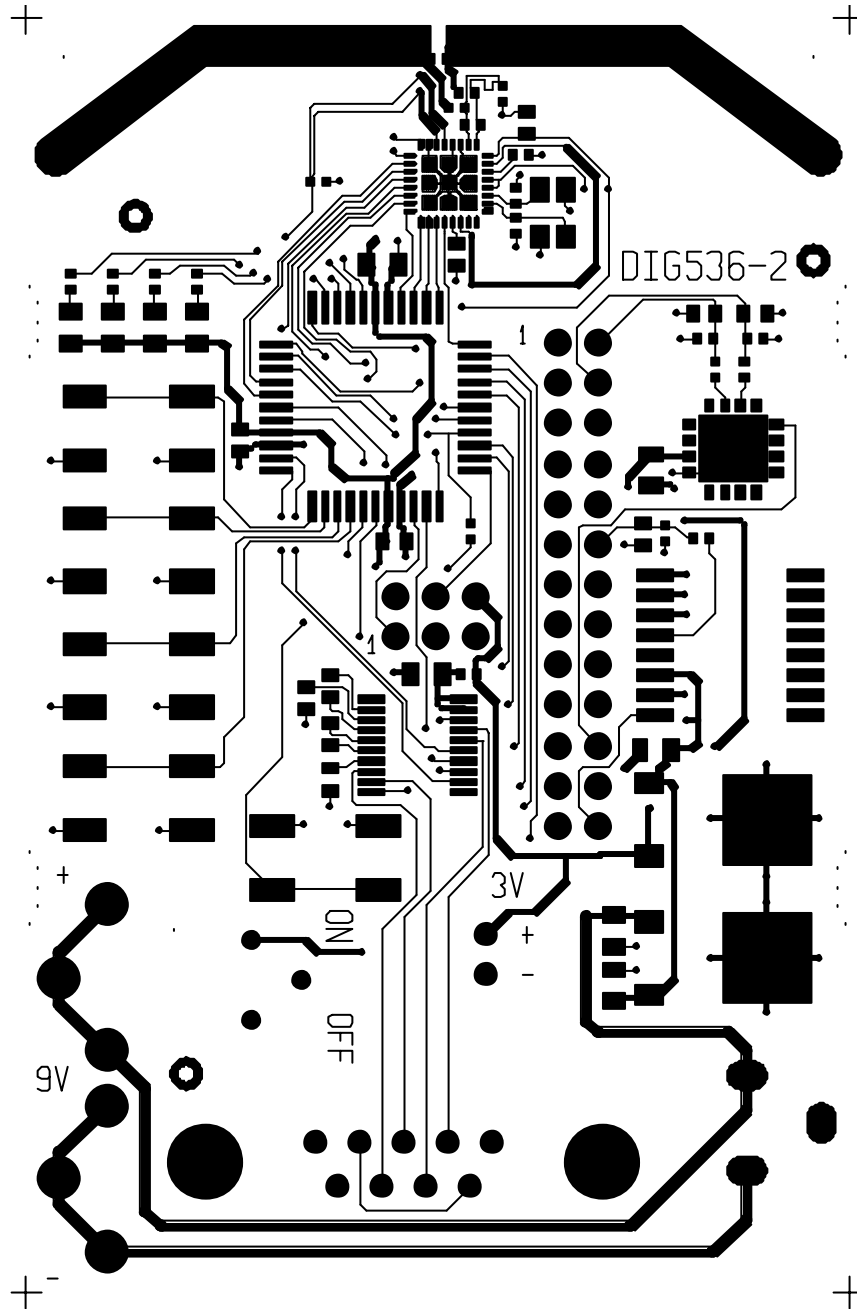


Figure A-1. PCB Layout (Top View)

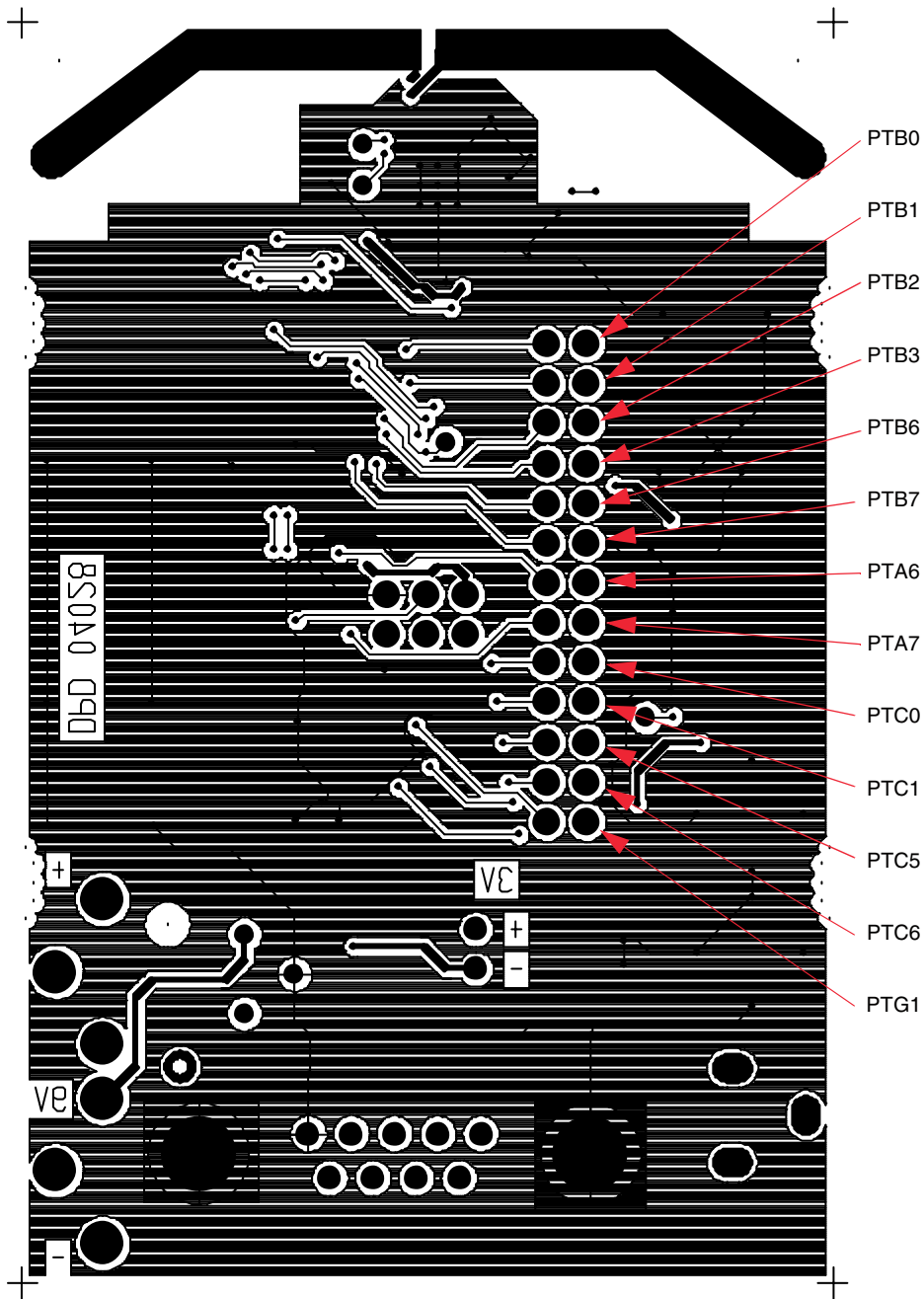


Figure A-2. PCB Layout (Bottom View)

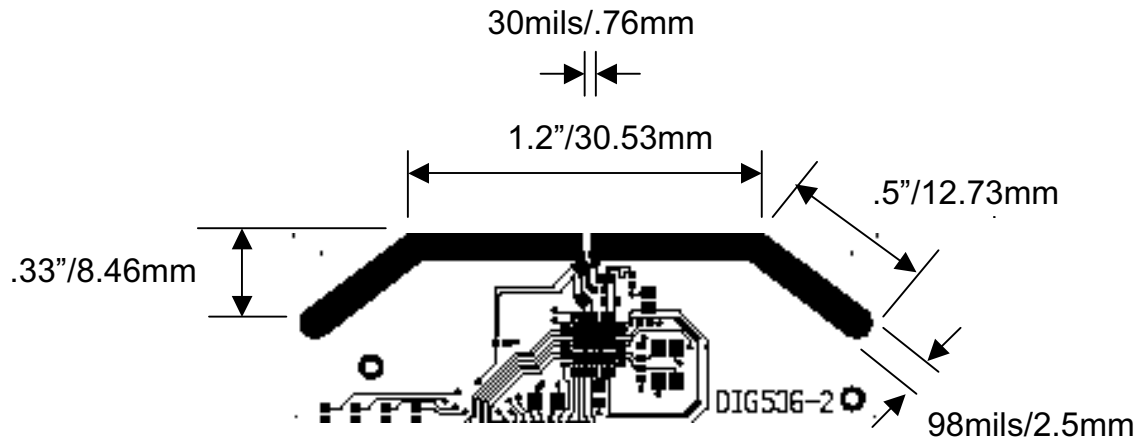


Figure A-3. Printed Circuit Board Antenna Dimensions

Table A-1. Bill of Materials (BOM)

Item	Qty	Part Number	Value	Rating	Tolerance	Mfg.	Mfg. Part Number	Reference ID
1	1	96000310104	(Label) 26x13 mm Test Bar Code	-	-	Digianswer	96000310100	BarCode1 01
2	11	50620710001	100 nf	16V	10% X7R	Murata	GRM188R71 C104KA01D	C101, C102, C103, C109, C110, C111, C112, C119, C120, C124, C129
3	3	50610422001	220 pf	50V	10% X7R	ROHM	MCH155C221 KK	C104, C107, C108
4	2	50210310000	10 pf	50V	5% NPO	Murata	GRP1555C1H 100JD01E	C105, C106
5	2	50630810001	1.0 µf	10V	± 10% X7R	Murata	GRM21BR71 A105KA01L	C113, C117
6	0	50630810001	1.0 µf	10V	± 10% X7R	Murata	GRM21BR71 A105KA01L	C123 (not mounted)
7	3	50630847001	4.7 µf	6.3V	± 10% X5R	Murata	GRM21BR60 J475KA11K	C114, C115, C116
8	2	50210318000	18 pf	50V	± 5% NPO	Philips	2222 869 15189	C126, C127
9	1	50210215000	1.5 pf	50V	± 0.25pf NPO	Murata	GRP1555C1H 1R5CZ01E	C128
10	4	41100017001	Green LED			Citizen	CL 170G CD T	D101, D102, D103, D104
11	1	35501319200	MC13192			Motorola	MC13192	IC101
12	1	33100000801	MC9SO8GT 60			Motorola	MC9SO8GT60 CFB	IC102
13	1	31100331800	MAX3318E	-40 to +85 °C		MAXIM	MAX3318EE UP	IC103
14	1	35300626000	MMA6261Q	-20 to +85 °C		Motorola	MMA6261QR 2	IC104

Freescale Semiconductor, Inc.

Table A-1. Bill of Materials (BOM)

Item	Qty	Part Number	Value	Rating	Tolerance	Mfg.	Mfg. Part Number	Reference ID
15	1	35300126000	MMA1260D	-40 to +105 °C		Motorola	MMA1260D	IC106
16	1	34000295000	LP2950CDT -3.0			National	LP2950CDT 3.0	IC108
17	1	34000295001	LP2950CDT -5.0			National	LP2950CDT 5.0	IC109
18	1	20030400600	2x3 pin			AMP	826632-3	J101
19	1	20010500905	9 pin female angle			AMP	747844-5	J102
20	1	20030400600	2 pin			AMP	0-826629-2	J103
21	1	20030402600	2x13 pin			Samtec	MTSW-113-0 7-G-D-240	J105
22	1	20110500204	DC			Digi-Key	CP-102A-ND	J106
23	1	20110500100	9V Holder and Connector - Male			Keystone	Cat. No. 593	J107
24	1	20110500101	9V Holder and Connector - Female			Keystone	Cat. No. 594	J108
25	1	71000536020	DIG536-2			Digianswer	DIG536-2 FR4 0.76 mm	PCB101
26	4	61100422000	220 R	62.5m W/25V	5%	YAGEO	RCO2221JR	R101, R102, R103, R104
27	0	61100422000	220 R	62.5m W/25V	5%	YAGEO	RCO2221JR (not mounted)	R106
28	1	62100747000	479 K	62.5m W/25V	1%	ROHM	MCR01MZSF 4703	R105
29	1	61100310000	10 R	62.5m W/25V	5%	YAGEO	RC02100JR	R107
30	3	61100510000	1.0 K	62.5m W/25V	5%	YAGEO	RC02102JR	R108, R109, R112
31	0	61100510000	1.0 K	62.5m W/25V	5%	YAGEO	RC02102JR (Not mounted)	R114, R116

Table A-1. Bill of Materials (BOM)

Item	Qty	Part Number	Value	Rating	Tolerance	Mfg.	Mfg. Part Number	Reference ID
32	1	61100510000	1.5 K	62.5m W/25V	5%	YAGEO	RC02152JR	R113
33	5	24000600100	Switch SPST SMD			ALPS	SKHUAD	S101, S102, S103, S104, S106
34	1	23010400102	Switch			ALPS	SSSS210800	S105
35	1	58130916004	16.000 MHz	20 ppm	20 ppm	KDS	DSX321G	x101