

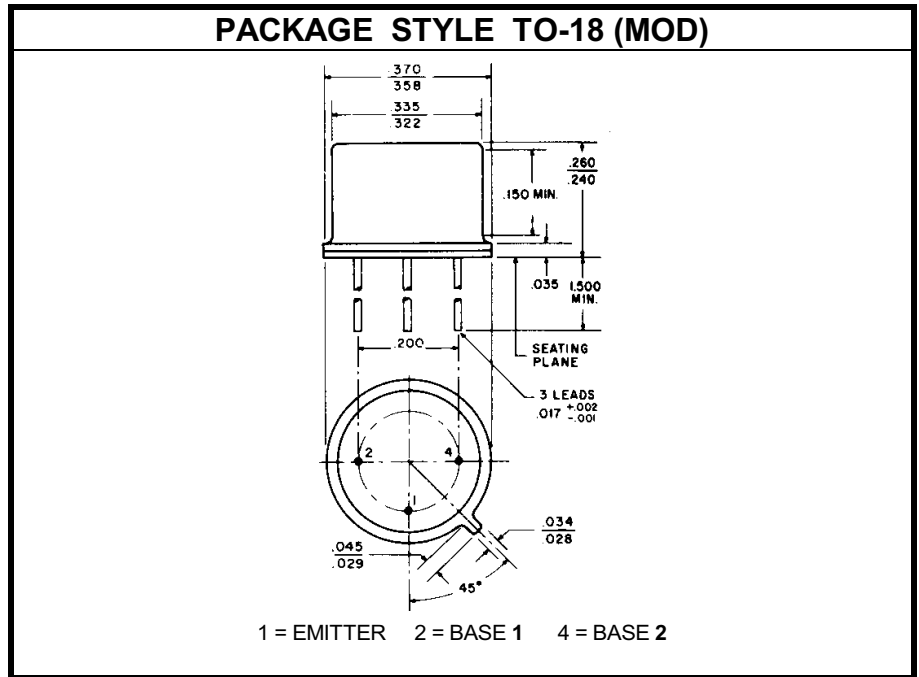
UNIJUNCTION TRANSISTOR

DESCRIPTION:

The **2N1671** is a Unijunction Transistor Used in General Purpose Pulse, Timing, Sense and Trigger Applications.

MAXIMUM RATINGS

I_C	2.0 A (PULSED)
V_{CE}	30 V
P_{DISS}	450 mW @ T _C = 25 °C
T_J	-65 °C to +140 °C
T_{STG}	-65 °C to +150 °C
θ_{JC}	255 °C/W


CHARACTERISTICS T_C = 25 °C

SYMBOL	TEST CONDITIONS	MINIMUM	TYPICAL	MAXIMUM	UNITS
η	V _{B2B1} = 10 V	0.47		0.62	---
r_{BB}	V _{B2B1} = 3.0 V	4.7		9.1	KΩ
V_{EB1(SAT)}	V _{B2B1} = 10 V I _E = 50 mA			5.0	V
I_{B2 (MOD)}	V _{B2B1} = 10 V I _E = 50 mA	6.8		22	mA
I_{B2EO}	V _{B2B1} = 30 V I _{B1} = 0			12	μA
I_P	V _{B2B1} = 25 V			25	μA
I_V	V _{B2B1} = 20 V R _{B2} = 100 Ω	8.0			mA