



2W005G THRU 2W10G

SINGLE PHASE 2.0 AMPS. GLASS PASSVLATED BRIDGE RECTIFIERS

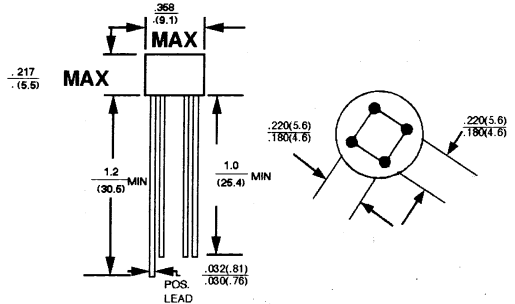


FEATURES

- * High surge current capability
- * Ideal for printed circuit board
- * Reliable low cost construction technique results in inexpensive product

VOLTAGE RANGE
50 to 1000 Volts
CURRENT
2.0 Amperes

WOB



Dimensions in inches and (millimeters)

MAXIMUM RATINGS AND ELECTRICAL CHARACTERISTICS

Rating. at 25°C ambient temperature unless otherwise specified.
Single phase, half wave, 60 Hz, resistive or inductive load.
For capacitive load, derate current by 20%

TYPE NUMBER	SYMBOLS	2W 005G	2W 01G	2W 02G	2W 04G	2W 06G	2W 08G	2W 10G	UNITS
Maximum Recurrent Peak Reverse Voltage	V_{RRM}	50	100	200	400	600	800	1000	V
Maximum RMS Bridge Input Voltage	V_{RMS}	35	70	140	280	420	560	700	V
Maximum D. C Blocking Voltage	V_{DC}	50	100	200	400	600	800	1000	V
Maximum Average Forward Rectified Current @ $T_A = 50^\circ C$	$I_{F(AV)}$	2.0							A
Peak Forward Surge Current, 8.3 ms single half sine-wave superimposed on rated load(JEDEC method)	I_{FSM}	50							A
Maximum Forward Voltage Drop per element at @ 1A	V_F	1.10							V
Maximum Reverse Current at Rated @ $T_A = 25^\circ C$ D. C. Blocking Voltage per element @ $T_A = 125^\circ C$	I_R	10 500							μA μA
Operating Temperature Range	T_J	- 55 to + 150							$^\circ C$
Storage Temperature Range	T_{STG}	- 55 to + 150							$^\circ C$

RATINGS AND CHARACTERISTIC CURVES (2W005G THRU 2W10G)

FIG. 1 - MAXIMUM NON-REPETITIVE PEAK FORWARD SURGE CURRENT - PER ELEMENT

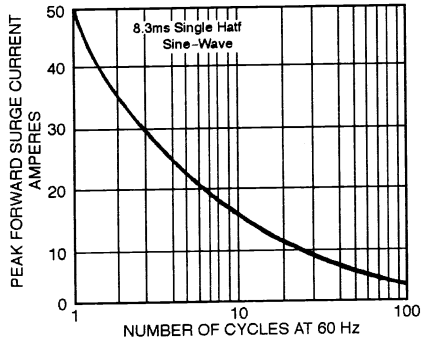


FIG. 2 - FORWARD DERATING CURVE OUTPUT RECTIFIED CURRENT

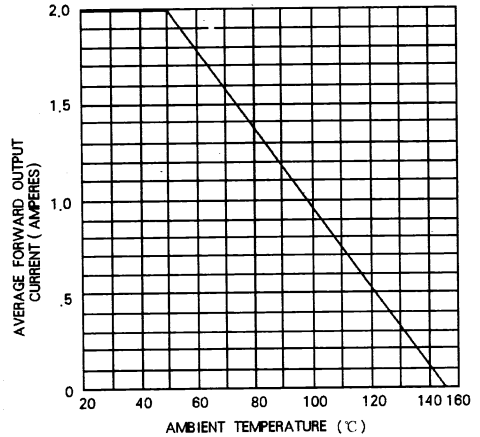


FIG. 3 - TYPICAL FORWARD CHARACTERISTICS - PER ELEMENT

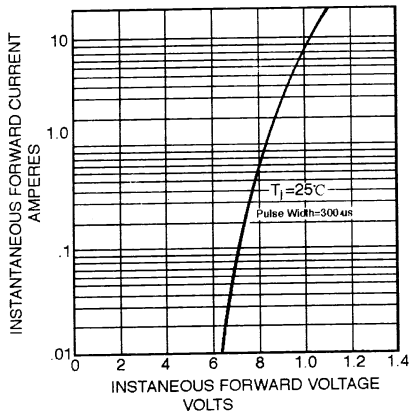


FIG. 4 - TYPICAL REVERSE CHARACTERISTICS - PER ELEMENT

