

---

# REALTEK

## FLAT PANEL DISPLAY CONTROLLER

### RTD2020

---

### *Product Brief*

This document contains introductory information pertaining to the Realtek RTD2020 Flat Panel Display Controller. Because there is proprietary and confidential information contained in the complete specifications, this brief is offered to those interested in the chip. For a more detailed description of the device, please contact your Realtek sales representative.

<b>1. Features</b> .....	<b>2</b>
<b>2. General Description</b> .....	<b>3</b>
<b>3. Block Diagram</b> .....	<b>4</b>
<b>4. Pin Assignments</b> .....	<b>5</b>
<b>5. Pin Descriptions</b> .....	<b>6</b>
5.1 ADC .....	6
5.2 PLL.....	6
5.3 Control Interface .....	7
5.4 Digital Input .....	8
5.5 Display Port.....	8
5.6 Miscellaneous Interface.....	9
5.7 DDC Channel .....	9
5.8 Power & Ground .....	9
5.9 MCU Interface.....	10

# 1. Features

## General

- Integrated Spread-Spectrum DCLK PLL
- Integrated 8-bit triple-channel 140MHz ADC/PLL
- Integrated programmable timing controller
- Integrated microcontroller compatible with the standard 8032
- 24 General-purpose input/outputs (GPIOs)
- Embedded fully functional multi-language OSD support
- Embedded DDC supports DDC1, DDC2B, and DDC/CI
- Supports ISP functionality on DDC channel
- 3 Embedded programmable PWM
- Zoom scaling up and down
- Embedded Pattern Generator
- No external memory required
- Requires only one crystal to generate all timing

## Analog RGB Input Interface

- Supports up to 140MHz (SXGA @ 75Hz)
- Supports Sync On Green (SOG) and de-composite sync modes
- On-chip high-performance PLLs

## Digital Input Interface

- Supports 24-bit pixel digital input up to 160MHz
- Supports 12-bit DVO input
- Supports 16/24-bit YUV422/444 video format input
- Supports 8-bit video format input
- Built-in YUV to RGB color space converter & de-interlace
- Capture window auto position & auto phase tracking capability

## Auto Detection /Auto Calibration

- Input format detection
- Compatibility with standard VESA mode and support for user-defined mode
- Smart engine for Phase and Image position calibration

## Scaling

- Fully programmable zoom ratios
- Independent horizontal/vertical scaling
- Advanced zoom algorithm provides high image quality
- Sharpness/Smooth filter enhancement

## Color Processor

- Digital brightness and contrast adjustments
- Gamma correction
- Dithering logic for 18-bit panel color depth enhancement

## Output Interface

- Fully programmable, built-in display timing generator
- 1 and 2-pixel/clock panel support, up to 140MHz
- Pin swap, odd/even swap and red/blue group swap
- Programmable TCON function support
- Reduced EMI and Power saving features

## Host Interface

- Supports 3/4 pins MCU serial bus interface
- Support parallel bus interface while using internal MCU

## Embedded OSD

- 12\*18 dot font per character
- Embedded 256 characters and symbols including 16 multi-color symbols
- User font RAM, which allows programming of 128 special symbols
- 7 background colors and 8 character colors
- Programmable width and height control
- 4 background windows
- Selectable shadow color for windows and characters
- Intensity, blinking effects
- Fade-in/out effect
- Frame shadowing and independent row shadowing
- Frame bordering and independent row bordering
- 4 channel 8-bits PWM output, and selectable PWM clock frequency
- Row-to-Row spacing to maintain constant display height
- Window alpha-blending effect

## Power & Technology

- 2.5V/3.3V power supply
- 0.25μm CMOS process; 208-pin PQFP package

## 2. General Description

The Realtek RTD2020 is a highly-integrated single chip IC controller solution for producing real time, top quality digital video and computer graphic images on LCD monitor/flat panel displays, such as XGA LCD monitors. LCD monitors and flat panel displays provide a sharp, flicker free display while saving space and energy for desktop PC applications. The RTD2020 provides an ideal interface between industry standard digital graphics controllers and a wide variety of LCD panel devices. Flat panel devices using the RTD2020 can support all incoming VESA modes and interface to any TFT LCD device, up to SXGA (1280x1024) resolution.

For increased flexibility, the RTD2020 supports both analog and digital interface inputs. The embedded 8-bit triple-channel 140MHz high-quality Analog to Digital Converter (ADC) and PLL support up to a 1280x1024 75Hz RGB analog input signal. The digital interface can support Transmission Minimized Differential Signaling (TMDS) receiver or Video-Decoder or DVO digital output signals up to 160MHz.

The RTD2020 features an embedded On-Screen Display (OSD) engine. This OSD enables either character based or bit map based menu display. Through this menu, display parameters, such as brightness and contrast, can be controlled, and information on resolution and frequency, can be displayed. The embedded display pattern generator is a function for panel testing.

Processing 24-bit RGB or 16-bit YUV input data streams, and conversion of input VGA signals to high resolution output, the RTD2020 implements a sophisticated scaling algorithm. This feature allows the RTD2020 to perform horizontal and vertical interpolation or replication and up & down image scaling, based on programmable parameters, to create images of the highest quality.

The built-in advanced filtering engine enables independent vertical and horizontal zoom/shrink, and, through enhancement of individual pixels, enhances image sharpness, and provides superb visual quality. This allows appropriate sized display of crisp, sharp text and smooth, clear graphics, taking full advantage of LCD flat panel technology.

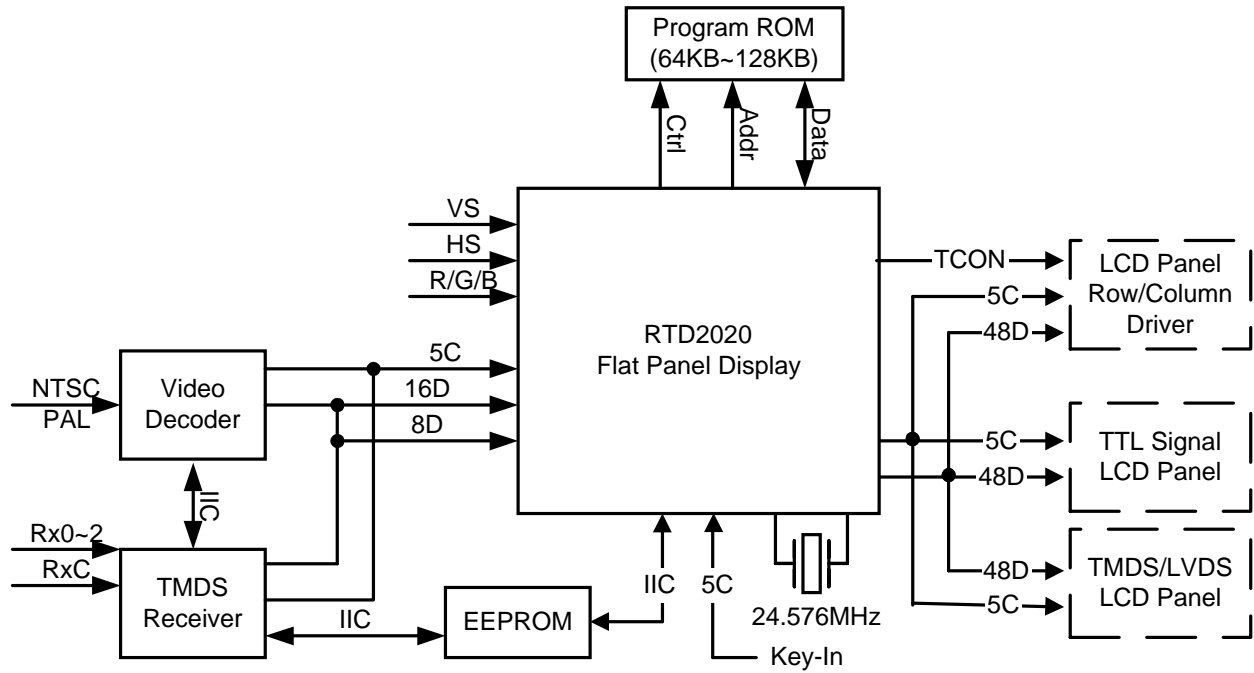
Also featured are enhanced color processing functions, including gamma correction and dithering logic. Brightness, contrast and gamma correction can be programmed through the internal gamma correction lookup tables. Full control of output panel data is obtained by color mapping input RGB data. The 8-bit/color pixel path offers up to 16.7 million color support for 24-bit TFT LCD panels. 18-bit LCD panels are also supported through spatial and temporal dither algorithms.

Increased integration in the RTD2020 includes components such as an 8032 compatible micro controller, and DDC RAM to provide monitor information the PC through the DDC1/DDC2B protocol. Internal System Programming (ISP) is accomplished through the DDC serial bus, supporting enhanced DDC-communication from PC to monitor, such as DDC/CI is also supported.

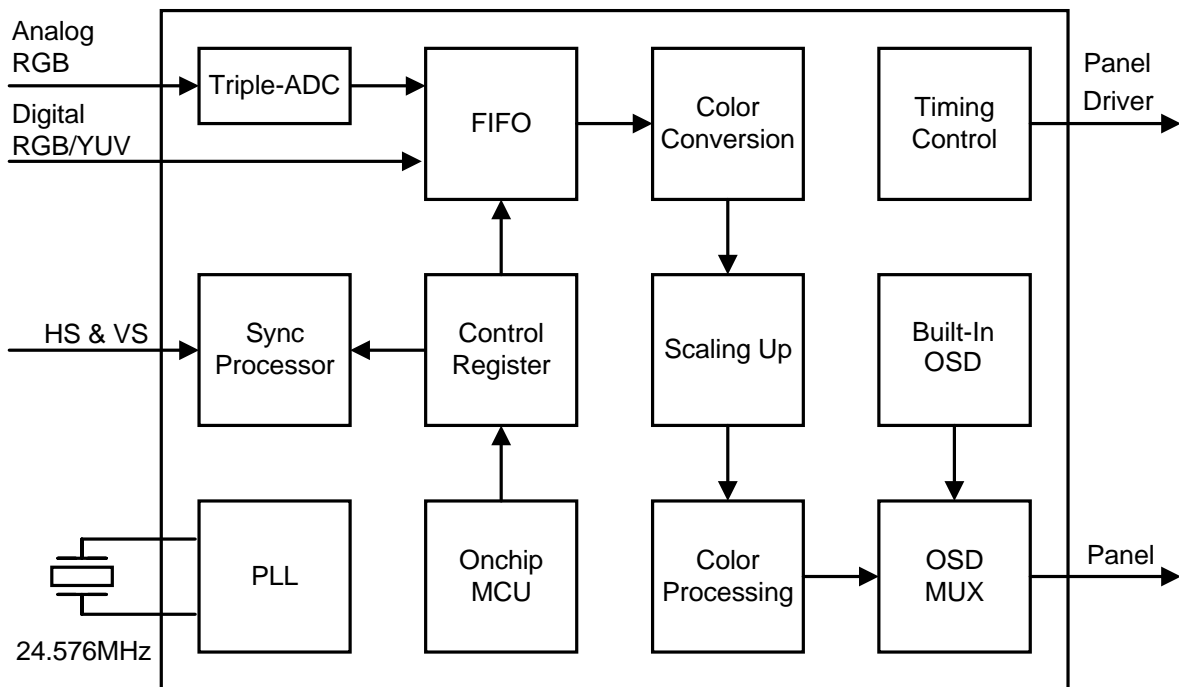
Finally, the Timing-Controller (TCON) generates the control signals for LCD-panel rather than LCD-monitor, and the embedded spread-spectrum technology reduces EMI effects.

All these features make the RTD2020 is the optimum solution for superior-quality image display.

### 3. Block Diagram



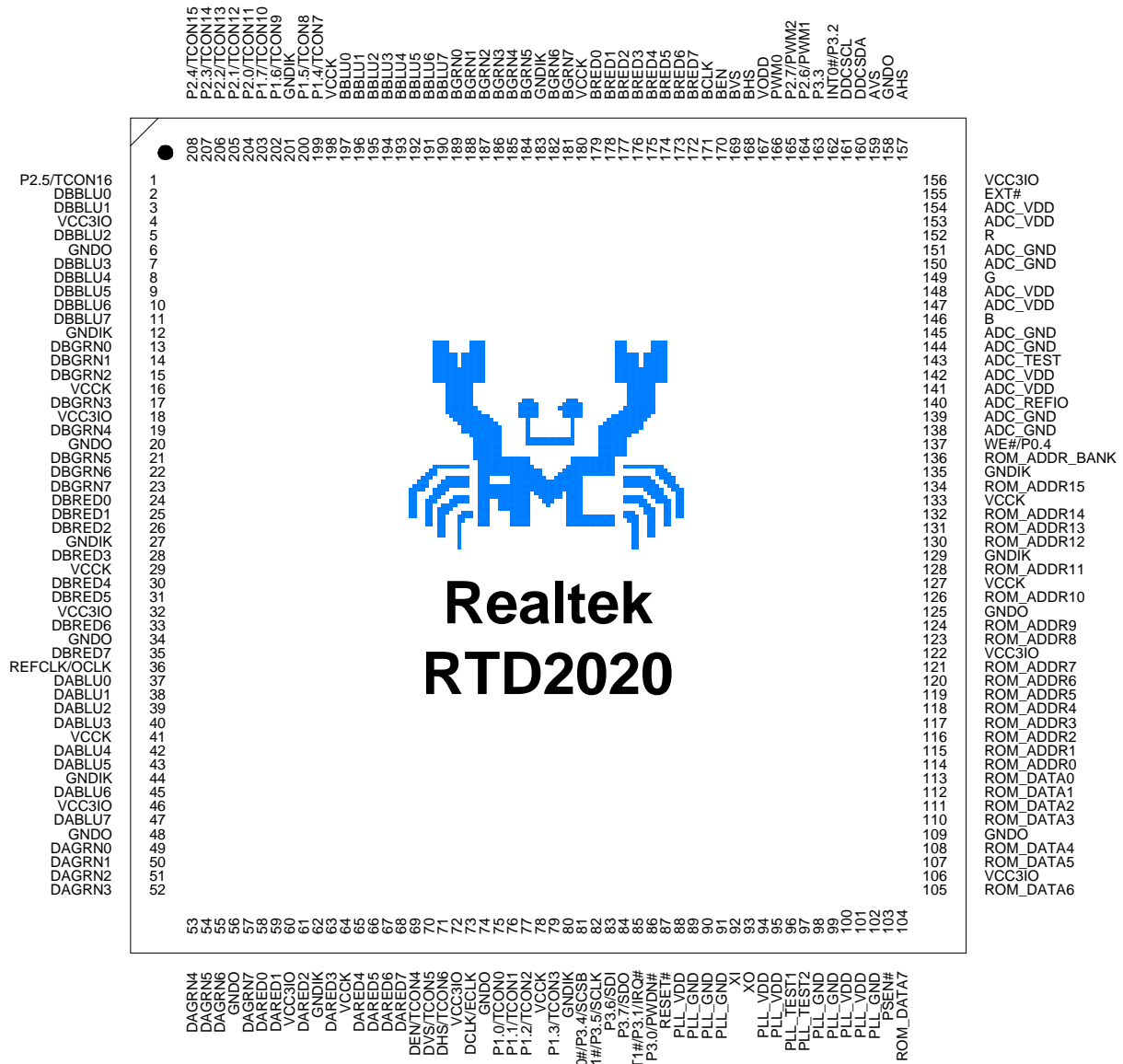
*Application System Block Diagram*



Flat Panel Display -- RTD2020

*Chip Functional Block Diagram*

# 4. Pin Assignments



**RTD2020 Pin-Out Diagram**

## 5. Pin Descriptions

In order to reduce pin count, and therefore size and cost, some pins have multiple functions. In those cases, the functions are separated with a “/” symbol. Refer to the Pin Assignment diagram for a graphical representation.

**A = Analog**      **P = Power**  
**I = Input**      **G = Ground**  
**O = Output**

### 5.1 ADC

Name	Type	Pin No	Description
ADC_REFIO	AI	140	ADC Reference Pad
ADC_TEST	AIO	143	ADC Test Pin / SOG
B	AI	146	Analog Input from BLUE Channel
G	AI	149	Analog Input from GREEN Channel
R	AI	152	Analog Input from RED Channel
ADC_VDD	AP	141,142 147,148 153,154	ADC Analog Power
ADC_GND	AG	138,139 144,145 150,151	ADC Analog Ground
			<b>Total: 17 Pins</b>

### 5.2 PLL

Name	Type	Pin No	Description
XI	AI	92	Reference Clock Input
XO	AO	93	Reference Clock Output
PLL_TEST1	AIO	96	Test Pin 1
PLL_TEST2	AIO	97	Test Pin 2
PLL_VDD	AP	88,94 95,100 101	PLL Analog Power
PLL_GND	AG	89,90 91,98 99,102	PLL Analog Ground
			<b>Total: 15 Pins</b>

### 5.3 Control Interface

Name	Type	Pin No	Description
(EXT# =0): SCSB (EXT# =1): GPIO_P3.4	I I/O	81	<b>Serial Control I/F Chip Select</b> <b>GPIO_P3.4 / T0#</b>
(EXT# =0): SCLK (EXT# =1): GPIO_P3.5	I I/O	82	<b>Serial Control I/F Clock</b> <b>GPIO_P3.5 / T1#</b>
(EXT# =0): SDI (EXT# =1): GPIO_P3.6	I I/O	83	<b>Serial Control I/F Data in</b> <b>GPIO_P3.6</b>
(EXT# =0): SDO (EXT# =1): GPIO_P3.7	O I/O	84	<b>Serial Control I/F Data out</b> <b>GPIO_P3.7</b>
(EXT# =0): IRQ# (EXT# =1): GPIO_P3.1	O I/O	85	<b>Controller's IRQ# Output;</b> <b>GPIO_P3.1 / INT#1</b>
(EXT# =0): PWDN# (EXT# =1): GPIO_P3.0	I I/O	86	<b>PowerDown# for Controller</b> <b>GPIO_P3.0</b>
RESET#	I	87	<b>(EXT#=0): RESET# for Controller;</b> <b>(EXT#=1): RESET# for MCU</b>
			<b>Total: 7 Pins</b>

## 5.4 Digital Input

Name	Type	Pin No	Description
AHS	I	158	VGA-port Horizontal Sync
AVS	I	160	VGA-port Vertical Sync
VODD	I	167	Video ODD Signal
BHS	I	168	VGB-port Horizontal Sync
BVS	I	169	VGB-port Vertical Sync
BENA	I	170	VGB-port Input Data Enable
BCLK	I	171	VGB-port Input Clock
BRED/YIN [7:0] / DVODATA [11:4] / VIDEO8	I	172,173 174,175 176,177 178,179	VGB-port Input Data (Red/Y)
BGRN [7:0] / DVODATA [3:0]	I	181,182 184,185 186,187 188,189	VGB-port Input Data (Green)
BBLU/UVIN [7:0]	I	190,191 192,193 194,195 196,197	VGB-port Input Data (Blue/UV)
			<b>Total: 31 Pins</b>

## 5.5 Display Port

Name	Type	Pin No	Description
DCLK	O	73	Display clock; / TCON_ECLK
DHS	O	71	Display Horizontal Sync; / TCON_6
DVS	O	70	Display Vertical Sync; / TCON_5
DEN	O	69	Display Data Enable; / TCON_4
DARED [7:0]	O	68, 67, 66 65, 63, 61 59, 58	Display A-port RED Data
DAGRN [7:0]	O	57, 55, 54 53, 52, 51 50, 49	Display A-port GREEN Data
DABLU [7:0]	O	47, 45, 43 42, 40, 39 38, 37	Display A-port BLUE Data
DBRED [7:0]	O	35, 33, 31 30, 28, 26 25, 24	Display B-port RED Data
DBGRN [7:0]	O	23, 22, 21 19, 17, 15 14, 13	Display B-port GREEN Data
DBBLU [7:0]	O	11, 10, 9, 8 7, 5, 3, 2	Display B-port BLUE Data
			<b>Total: 52 Pins</b>



## 5.6 Miscellaneous Interface

Name	Type	Pin No	Description
REFCLK	IO	36	In/out Test Pin for DCLK; / TCON_OCLK
PWM_0	O	166	PWM_0 Output
			<b>Total: 2 Pins</b>

## 5.7 DDC Channel

Name	Type	Pin No	Description
DDCSDA	I	156	DDC Serial Control I/F Data Input
	O		DDC Serial Control I/F Data Output
DDCSCL	I	161	DDC Serial Control I/F Clock
			<b>Total: 2 Pins</b>

## 5.8 Power & Ground

Name	Type	Pin No	Description
3.3V Power	P	4, 18 32, 46 60, 72 106,122 157	<b>VCC3IO: 9</b>
3.3V Ground	G	6, 20 34, 48 56, 74 109,125 159	<b>GNDO: 9</b>
2.5V Power	P	16, 29 41, 64 78,127 133,180 198	<b>VCCK: 9</b>
2.5V Ground	G	12, 27 44, 62 80,129 135,183 201	<b>GNDIK: 9</b>
			<b>Total: 36 Pins</b>

## 5.9 MCU Interface

Name	I/O	Pin No	Description
PSEN#	O	103	Program Load Enable
ROM_DATA [7:0]	IO	104,105,107 108,110,111 112,113	ROM Data Input
ROM_ADDR [15:9]	O I	134,132,131 130,128,126 124	ROM Address Output DDC_CA latch
ROM_ADDR [8:0]	O	123,121,120 119,118,117 116,115,114	ROM Address Output
ROM_ADDR_BA NK	O	136	XDATA/PROG# Bank Select
GPIO_P0.4	I/O	137	GPIO_P0.4 / WR#
EXT#	I	155	External MCU, Internal MCU Disable
GPIO_P1.0	I/O	75	GPIO_P1.0 / TCON_0
GPIO_P1.1	I/O	76	GPIO_P1.1 / TCON_1
GPIO_P1.2	I/O	77	GPIO_P1.3 / TCON_2
GPIO_P1.3	I/O	79	GPIO_P1.3 / TCON_3
GPIO_P1.4	I/O	199	GPIO_P1.4 / TCON_7
GPIO_P1.5	I/O	200	GPIO_P1.5 / TCON_8
GPIO_P1.6	I/O	202	GPIO_P1.6 / TCON_9
GPIO_P1.7	I/O	203	GPIO_P1.7 / TCON_10
GPIO_P2.0	I/O	204	GPIO_P2.0 / TCON_11
GPIO_P2.1	I/O	205	GPIO_P2.1 / TCON_12
GPIO_P2.2	I/O	206	GPIO_P2.2 / TCON_13
GPIO_P2.3	I/O	207	GPIO_P2.3 / TCON_14
GPIO_P2.4	I/O	208	GPIO_P2.4 / TCON_15
GPIO_P2.5	I/O	1	GPIO_P2.5 / TCON_16
GPIO_P2.6	I/O	164	GPIO_P2.6 / PWM1
GPIO_P2.7	I/O	165	GPIO_P2.7 / PWM2
(EXT# =0): PWDN#	I I/O	Share	PowerDown# for Controller GPIO_P3.0
(EXT# =1): GPIO_P3.0			
(EXT# =0): IRQ#	O	Share	Controller's IRQ# output;
(EXT# =1): GPIO_P3.1	I/O		GPIO_P3.1 / INT1#
GPIO_P3.2	I/O	162	GPIO_P3.2 / INT0#
GPIO_P3.3	I/O	163	GPIO_P3.3
(EXT# =0): SCSB	I	Share	Serial control I/F chip select
(EXT# =1): GPIO_P3.4	I/O		GPIO_P3.4 / T0#
(EXT# =0): SCLK	I	Share	Serial control I/F clock
(EXT# =1): GPIO_P3.5	I/O		GPIO_P3.5 / T1#
(EXT# =0): SDI	I	Share	Serial control I/F data in
(EXT# =1): GPIO_P3.6	I/O		GPIO_P3.6
(EXT# =0): SDO	O	Share	Serial control I/F data out
(EXT# =1): GPIO_P3.7	I/O		GPIO_P3.7
			<b>Total: 46 pins (6 share)</b>

---

**Realtek Semiconductor Corp.****Headquarters**

1F, No. 2, Industry East Road IX, Science-based  
Industrial Park, Hsinchu, 300, Taiwan, R.O.C.

Tel : 886-3-5780211 Fax : 886-3-5776047

WWW: [www.realtek.com.tw](http://www.realtek.com.tw)

---