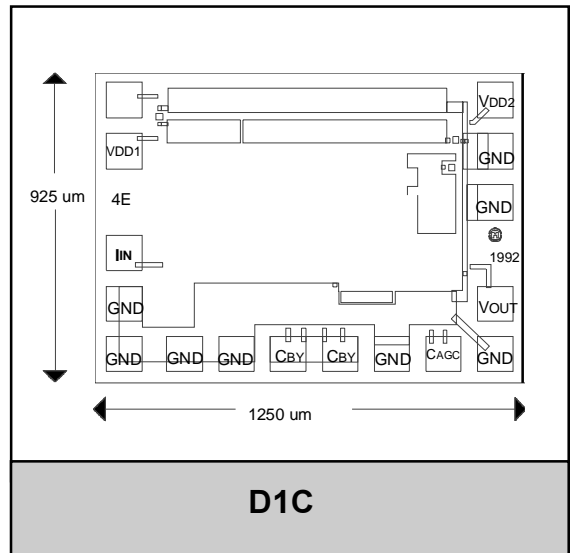


FEATURES

- Single +5 Volt Supply
- Automatic Gain Control
- -31 dBm Sensitivity
- 0 dBm Optical Overload
- 1100 MHz Bandwidth

APPLICATIONS

- SONET OC-24 (1 Gb/s) Receiver
- Low Noise RF Amplifier
- BISDN
- HIPPI



PRODUCT DESCRIPTION

The ANADIGICS ATA12001 is a 5V low noise transimpedance amplifier with AGC designed to be used in 1Gb/s fiber optic links. The device is used in conjunction with a photodetector (PIN diode or avalanche photodiode) to convert an optical signal

into an output voltage. The ATA12001 offers a bandwidth of 1100MHz and a dynamic range of 31dB. It is manufactured in a GaAs MESFET process and is available in bare die form.

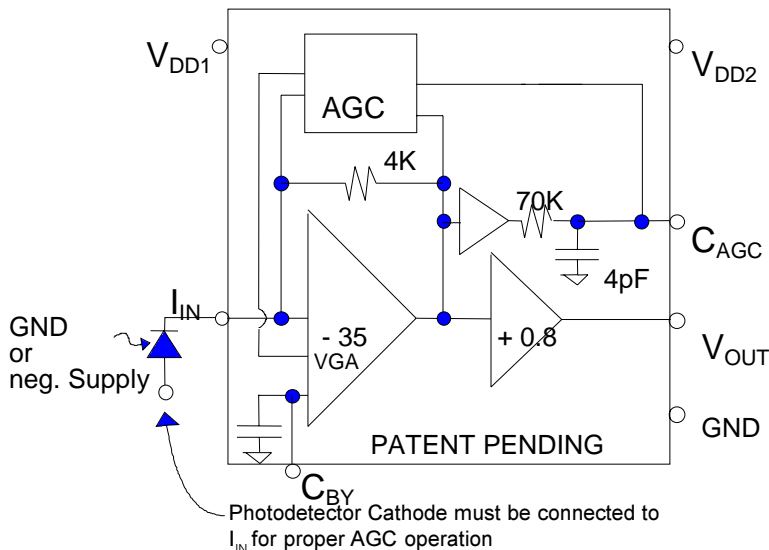


Figure 1: Equivalent Circuit

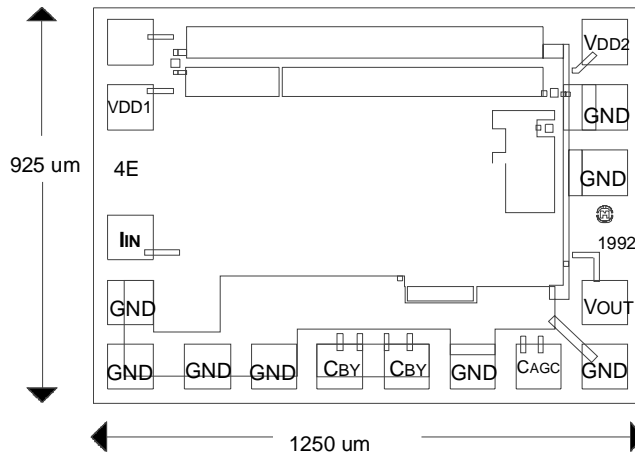


Figure 2: Bonding Pad Layout

Table 1: ATA12001 Pad Description

PAD	DESCRIPTION	COMMENT
V_{DD1}	V_{DD1}	Positive supply for input gain stage
V_{DD2}	V_{DD2}	Positive supply for second gain stage
I_{IN}	TIA Input Current	Connect detector cathode for proper operation
V_{OUT}	TIA Output Voltage	Requires external DC block
C_{AGC}	External AGC Capacitor	$70K * C_{AGC} = AGC RC Time Constant$
C_{BY}	Input Gain Stage Bypass Capacitor	$>56 pF$

ELECTRICAL CHARACTERISTICS

Table 2: Absolute Maximum Ratings

V_{DD1}	7.0 V
V_{DD2}	7.0 V
I_{IN}	5 mA
T_A	Operating Temp. - 40 °C to 125 °C
T_S	Storage Temp. - 65 °C to 150 °C

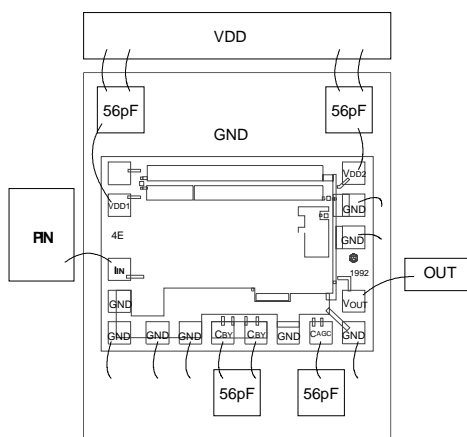
Stresses in excess of the absolute ratings may cause permanent damage. Functional operation is not implied under these conditions. Exposure to absolute ratings for extended periods of time may adversely affect reliability.

Table 3: Electrical Specifications ⁽¹⁾
 $(T_A = 25^\circ\text{C}, V_{DD} = +5.0\text{V} \pm 10\%, C_{\text{DIODE}} + C_{\text{STRAY}} = 0.5 \text{ pF}, \text{Det. cathode to } I_{IN})$

PARAMETER	MIN	TYP	MAX	UNIT
Transresistance ($R_L = \infty, I_{DC} < 500\text{nA}$)		3.5		$\text{K}\Omega$
Transresistance ($R_L = 50\Omega$) ⁽¹⁾	1.2	1.4		$\text{K}\Omega$
Bandwidth -3dB	900	1100		MHz
Input Resistance ⁽²⁾		100		Ω
Output Resistance	30	50	60	Ω
Supply Current	15	30	45	mA
Input Offset Voltage	1.4	1.6	1.9	Volts
Output Offset Voltage		1.8		Volts
AGC Threshold (I_{IN}) ⁽³⁾	100	150		μA
Optical Overload ⁽⁴⁾	-3	0		dBm
Input Noise Current ⁽⁵⁾		120	170	nA
AGC Time Constant ⁽⁶⁾		16		μsec
Offset Voltage Drift		± 1		$\text{mV}/^\circ\text{C}$
Optical Sensitivity ⁽⁷⁾	-29	-31		dBm
Operating Voltage Range	+ 4.5	+ 5.0	+ 6.0	Volts
Operating Temperature Range	- 40		85	$^\circ\text{C}$

Notes:

- $f = 50\text{MHz}$
- Measured with I_{in} below AGC Threshold. During AGC, input impedance will decrease proportionally to I_{in} .
- Defined as the I_{in} where Transresistance has decreased by 50%.
- See note on "Indirect Measurement of Optical Overload."
- See note on "Measurement of Input Referred Noise Current."
- $C_{AGC} = 220 \text{ pF}$
- Parameter is guaranteed (not tested) by design and characterization data @ 1.2 Gb/s, assuming detector responsivity of 0.9.

**Figure 3: ATA 12001 Typical Bonding Diagram**

APPLICATION INFORMATION

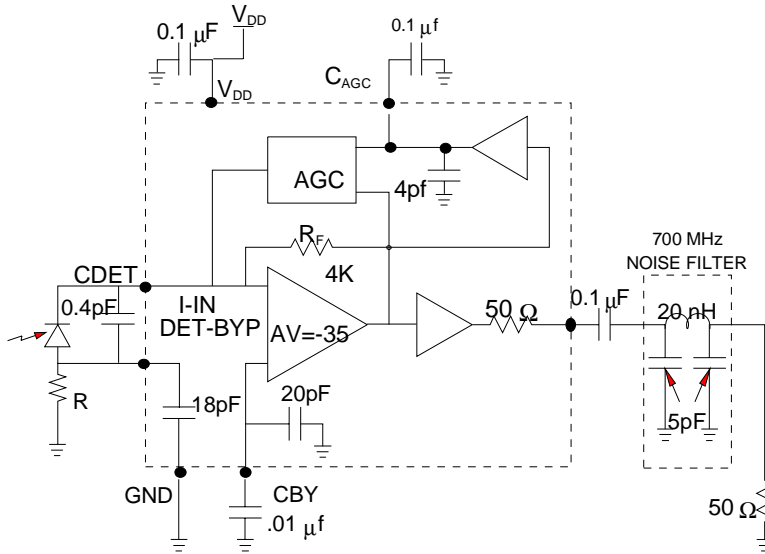


Figure 4: Typical Application HIPPI 1 Gb/s

Power Supplies and General Layout Considerations

The ATA12001D1C may be operated from a positive supply as low as + 4.5 V and as high as + 6.0 V. Below + 4.5 V, bandwidth, overload and sensitivity will degrade, while at + 6.0 V, bandwidth, overload and sensitivity improve (see “Bandwidth vs. Temperature” curves). Use of surface mount (preferably MIM type capacitors), low inductance power supply bypass capacitors ($\geq 56\text{pF}$) are essential for good high frequency and low noise performance. The power supply bypass capacitors should be mounted on or connected to a good low inductance ground plane.

General Layout Considerations

Since the gain stages of the transimpedance amplifier have an open loop bandwidth in excess of 1.5 GHz, it is essential to maintain good high frequency layout practices. To prevent oscillations, a low inductance RF ground plane should be made available for power supply bypassing. Traces that can be made short should be made short, and the utmost care should be taken to maintain very low capacitance at the photodiode-TIA interface (I_{IN}), as

excess capacitance at this node will cause a degradation in bandwidth and sensitivity (see Bandwidth vs. C_T curves).

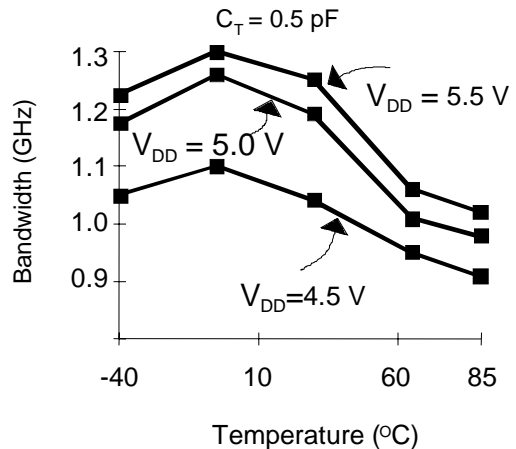
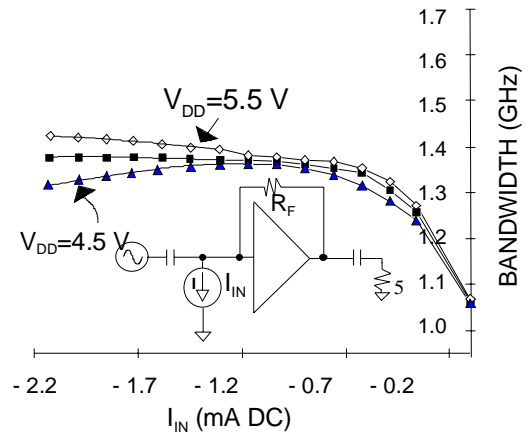
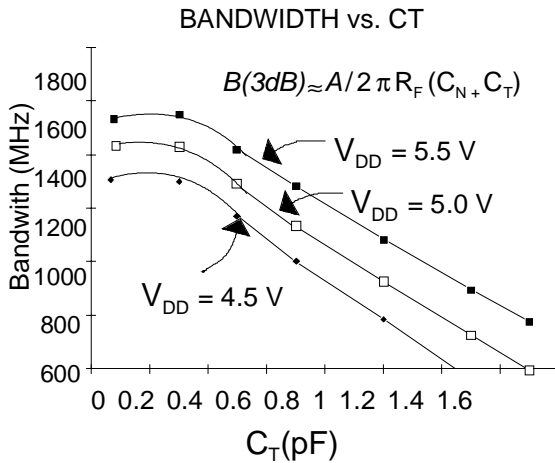


Figure 4: Bandwidth vs. Temperature



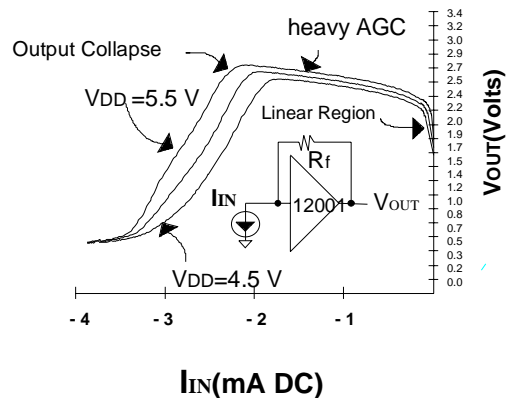
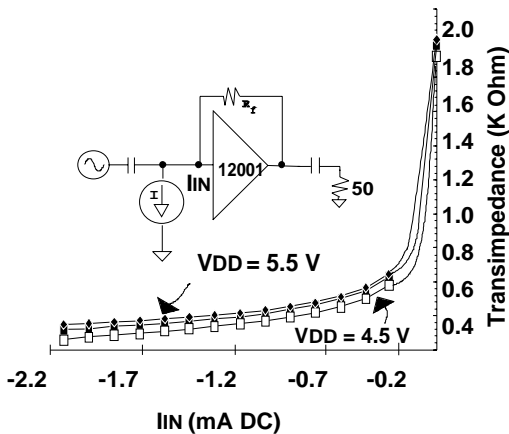
Note: All performance curves are typical @ $T_A = 25^\circ\text{C}$ unless otherwise noted.

I_{IN} Connection

(refer to the equivalent circuit diagram) Bonding the detector cathode to I_{IN} (and thus drawing current from the ATA12001) improves the dynamic range. Although the detector may be used in the reverse direction for input currents not exceeding 25 μA, the specifications for optical overload will not be met.

V_{OUT} Connection

The output pad should be connected via a coupling capacitor to the next stage of the receiver channel (filter or decision circuits), as the output buffers are not designed to drive a DC coupled 50 ohm load (this would require an output bias current of approximately 36 mA to maintain a quiescent 1.8 Volts across the output load). If V_{OUT} is connected to a high input impedance decision circuit (>500 ohms), then a coupling capacitor may not be required, although caution should be exercised since DC offsets of the photo detector/TIA combination may cause clipping of subsequent gain or decision circuits.



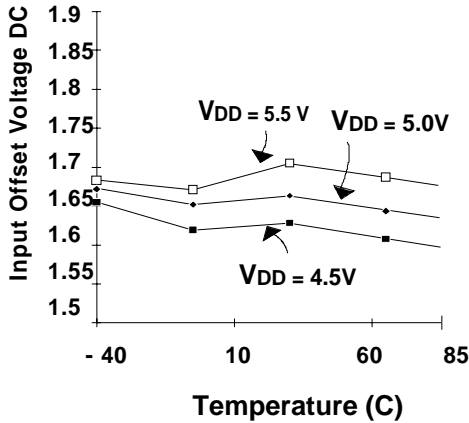


Figure 9: Input Offset Voltage vs. Temperature

C_{BY} Connection

The C_{BY} pad must be connected via a low inductance path to a surface mount capacitor of at least 56 pF (additional capacitance can be added in paralle with the 56 pF or 220 pF capacitors to improve low frequency response and noise performance). Referring to the equivalent circuit diagram and the typical bonding diagram, it is critical that the connection from C_{BY} to the bypass capacitor use two bond wires for low inductance, since any high frequency impedance at this node will be fed back to the open loop amplifier with a resulting loss of transimpedance bandwidth. Two pads are provided for this purpose.

Sensitivity and Bandwidth

In order to guarantee sensitivity and bandwidth performance, the TIA is subjected to a comprehensive series of tests at the die sort level (100% testing at 25 °C) to verify the DC parametric performance and the high frequency performance (i.e. adequate |S₂₁|) of the amplifier. Acceptably high |S₂₁| of the internal gain stages will ensure low amplifier input capacitance and hence low input referred noise current. Transimpedance sensitivity and bandwidth are then guaranteed by design and correlation with RF and DC die sort test results.

ndirect Measurement of Optical Overload

Optical overload can be defined as the maximum optical power above which the BER (bit error rate) increases beyond 1 error in 10¹⁰ bits. The ATA12001D1C is 100% tested at die sort by a DC measurement which has excellent correlation with an PRBS optical overload measurement. The measurement consists of sinking a negative current

(see V_{OUT} vs I_{IN} figure) from the TIA and determining the point of output voltage collapse. Also the input node virtual ground during “heavy AGC” is checked to verify that the linearity (i.e. pulse width distortion) of the amplifier has not been compromised.

Measurement of Input Referred Noise Current

The “Input Noise Current” is directly related to sensitivity . It can be defined as the output noise voltage (V_{out}), with no input signal, (including a 1 GHz lowpass filter at the output of the TIA) divided by the AC transresistance.

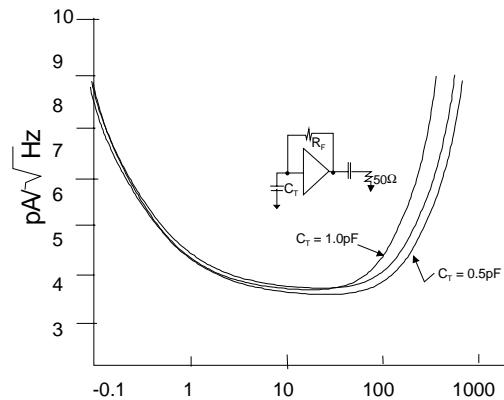


Figure 10: Input Referred Noise Spectral Density

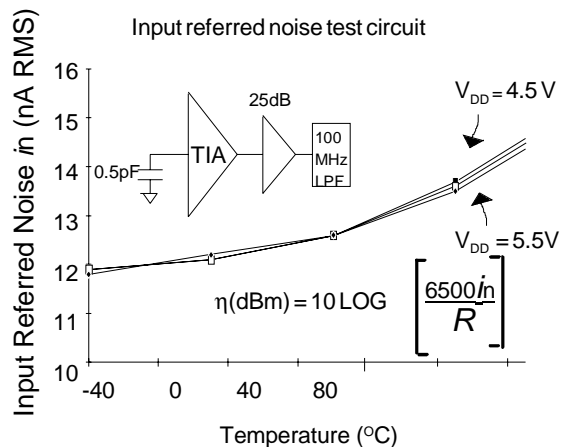


Figure 11: Input Referred Noise vs Temperature

AGC Capacitor

It is important to select an external AGC capacitor of high quality and appropriate size. The ATA12001D1C has an on-chip 70 KW resistor with a shunt 4.5 pF capacitor to ground. Without external capacitance the chip will provide an AGC time constant of 315 nS. For the best performance in a typical OC-24 SONET receiver, a minimum AGC capacitor of 56pF is recommended. This will provide the minimum amount of protection against pattern sensitivity and pulse width distortion on repetitive data sequences during high average optical power conditions. Conservative design practices should be followed when selecting an AGC capacitor, since unit to unit variability of the internal time constant and various data conditions can lead to data errors if the chosen value is too small.

Phase Response

At frequencies below the 3dB bandwidth of the device, the transimpedance phase response is characteristic of a single pole transfer function (as shown in the Phase vs Frequency curve). The output impedance is essentially resistive up to 1200 MHz.

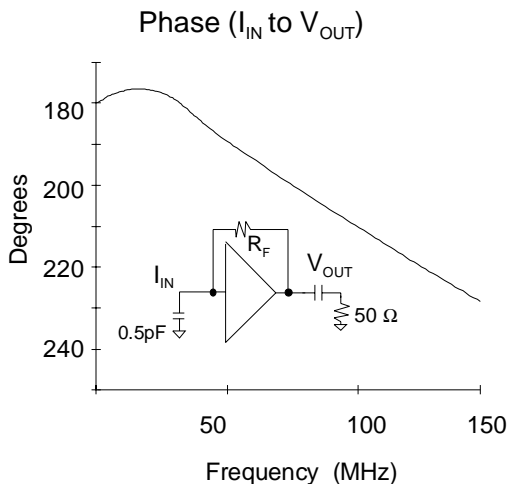


Figure 12: Phase (I_{IN} to V_{OUT})

ORDERING INFORMATION

PART NUMBER	PACKAGE OPTION	PACKAGE DESCRIPTION
ATA12001D1C	D1C	Die

ANADIGICS, Inc.

141 Mount Bethel Road

Warren, New Jersey 07059, U.S.A

Tel: +1 (908) 668-5000

Fax: +1 (908) 668-5132

<http://www.anadigics.com>Mktg@anadigics.com**IMPORTANT NOTICE**

ANADIGICS, Inc. reserves the right to make changes to its products or to discontinue any product at any time without notice. The product specifications contained in Advanced Product Information sheets and Preliminary Data Sheets are subject to change prior to a product's formal introduction. Information in Data Sheets have been carefully checked and are assumed to be reliable; however, ANADIGICS assumes no responsibilities for inaccuracies. ANADIGICS strongly urges customers to verify that the information they are using is current before placing orders.

WARNING

ANADIGICS products are not intended for use in life support appliances, devices, or systems. Use of an ANADIGICS product in any such application without written consent is prohibited.