

R/G/B VIDEO AMPLIFIER

The KA2140B is a very high frequency video amplifier system with an OSD interface, intended to be used in monitor with high resolution up to 1280 × 1024. It contains 3 matched R/G/B video Amplifiers with Blank signal and provides a flexible interfacing to DC controlled adjustment system.

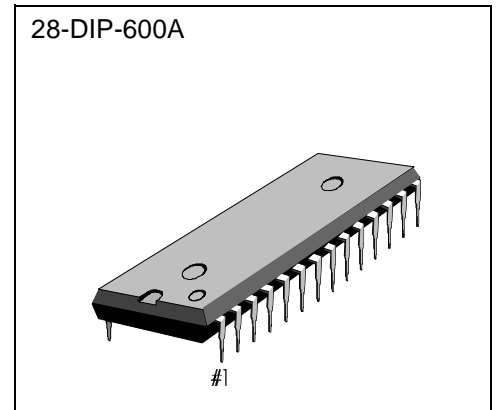
FUNCTIONS

- R/G/B Video Amplifier
- OSD Interface
- Contrast/OSD Contrast/SUB Contrast Control
- Brightness Control
- Blank/Clamp Gate
- Video Clamp

FEATURES

- 3 - Channel R/G/B Video Amplifier, 130MHz Bandwidth
- TTL OSD Input, 50MHz Bandwidth
- DC Contrast Control range: -38dB
- DC SUB Contrast Control range: -11dB
- Capable of 7.5V_{PP} Output Swing Range
- Video/OSD high speed Switch

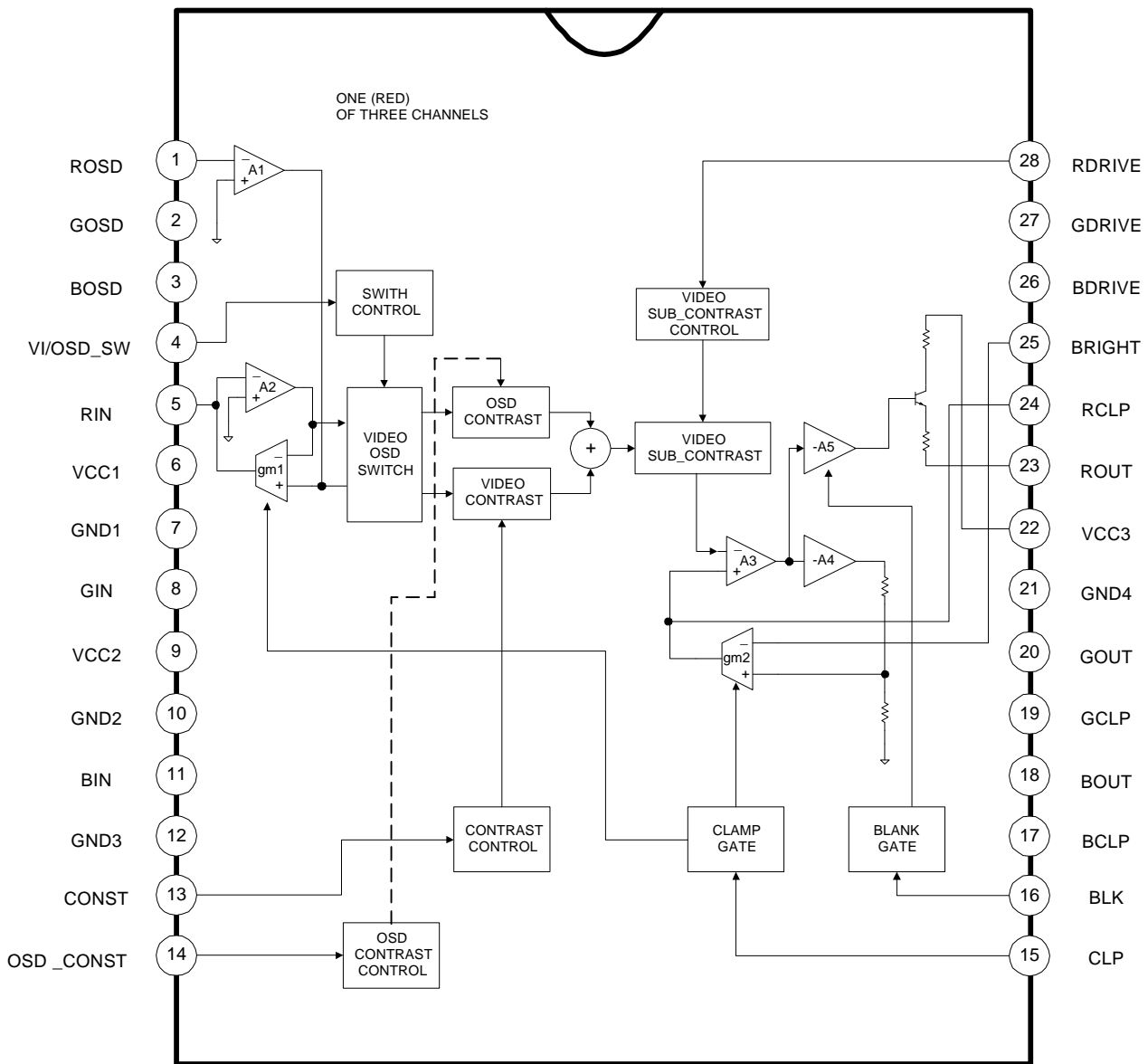
28-DIP-600A



ORDERING INFORMATION

Device	Package	Operating Temperature
KA2140B	28-DIP	-25 °C ~ +80 °C

BLOCK DIAGRAM



PIN CONFIGURATIONS

Table 1. Pin Configurations

Pin No	Symbol	I/O	Configurations
1	ROSD	I	Red OSD Input
2	GOSD	I	Green OSD Input
3	BOSD	I	Blue OSD Input
4	VI/OSD_SW	I	Video or OSD Switch
5	RIN	I	Red Video Input
6	V _{CC1}	-	V _{CC} (Normal)
7	GND1	-	Ground 1
8	GIN	I	Green Video Input
9	V _{CC2}	-	V _{CC} (Normal)
10	GND2	-	Ground 2
11	BIN	I	Blue Video Input
12	GND3	-	Ground 3
13	CONST	I	Contrast Control
14	OSD_CONST	I	OSD Contrast Control
15	GCLP	I	Clamp Gate Signal Input
16	BLK	I	Blank Gate Signal Input
17	BCLP	-	Blue Clamp Cap
18	BOUT	O	Blue Clamp Video Output
19	GCLP	-	Green Clamp Cap
20	GOUT	O	Green Video Output
21	GND4	-	Ground 4
22	V _{CC3}	-	V _{CC} (Output Part)
23	ROUT	O	Red Video Output
24	RCLP	-	Red Clamp Cap
25	BRIGHT	I	Brightness Control
26	BDRIVE	I	Blue Gain Control
27	GDRIVE	I	Green Gain Control
28	RDRIVE	I	Red Gain Control