

**LB1862****Fan Motor Single-Phase Full-Wave Driver****Overview**

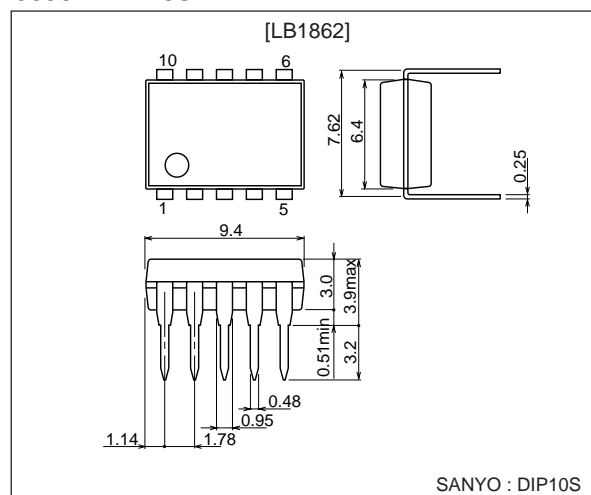
Single-phase full-wave drive design and a compact package make this IC optimal for small fans (especially CPU cooling fans). Low switching noise and effective motor drive are further advantages.

Features

- Support for 5V/12V dual power supply voltage
- Built-in regenerative circuit allows use of reverse-connection protection diode
- Built-in Hall amplifier with hysteresis (supports core without auxiliary electrode)
- Built-in lockup protection and automatic recovery circuits
- Latch-type lockup detection output (RD) is Low during rotation and High during stop
- Hall bias pin and start/stop pin allow reduced current drain in standby mode
- Built-in thermal protection circuit

Package Dimensions

unit: mm

3098B-DIP10S**Specifications****Absolute Maximum Ratings at Ta = 25°C**

Parameter	Symbol	Conditions	Ratings	Unit
Maximum supply voltage	V_{CC} max		17	V
Maximum output current	I_{OUT} max		0.8	A
Maximum output withstand voltage	V_{OUT} max		17	V
RD maximum output withstand voltage	V_R max		17	V
RD maximum output current	I_R max		5	mA
HB maximum output current	I_B max		10	mA
ST maximum input voltage	V_{ST} max		15	V
Allowable power dissipation	P_d max		1.0	W
Operating temperature	T_{opr}		-30 to +85	°C
Storage temperature	T_{stg}		-55 to +150	°C

- Any and all SANYO products described or contained herein do not have specifications that can handle applications that require extremely high levels of reliability, such as life-support systems, aircraft's control systems, or other applications whose failure can be reasonably expected to result in serious physical and/or material damage. Consult with your SANYO representative nearest you before using any SANYO products described or contained herein in such applications.
- SANYO assumes no responsibility for equipment failures that result from using products at values that exceed, even momentarily, rated values (such as maximum ratings, operating condition ranges, or other parameters) listed in products specifications of any and all SANYO products described or contained herein.

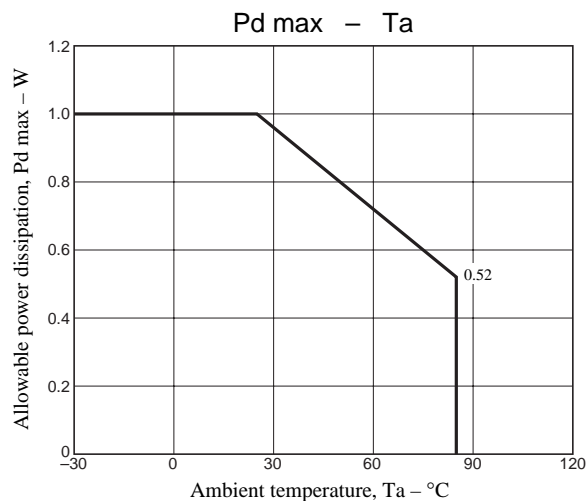
LB1862

Allowable Operating Ranges at Ta = 25°C

Parameter	Symbol	Conditions	Ratings	Unit
Power supply voltage	V_{CC}		3.8 to 16.8	V
ST input High level voltage	ST_H		3 to 14	V
ST input Low level voltage	ST_L		-0.3 to +0.4	V
Hall input common mode input voltage range	V_{ICM}		0.2 to $V_{CC}-1.5$	V

Electrical Characteristics at Ta = 25°C, VCC = 5V

Parameter	Symbol	Conditions	Ratings			Unit
			min	typ	max	
Circuit current	I_{CC}	In drive mode (CT = [L], ST = [L])		6.5	9.1	mA
		In lockup protection mode (CT = [H], ST = [L])		2.2	3.1	mA
		In standby mode (ST = [H])		110	150	μ A
Lockup detection capacitor charge current	I_{CT1}		1.9	2.8	3.7	μ A
Capacitor discharge current	I_{CT2}		0.32	0.46	0.60	μ A
Capacitor charge/discharge current ratio	R_{CT}	$R_{CT} = I_{CT1}/I_{CT2}$	5.0	6.0	7.0	
CT charge voltage	V_{CT1}		2.55	2.75	2.95	V
CT discharge voltage	V_{CT2}		1.6	1.8	2.0	V
Output Low level voltage	V_{OL}	$I_O = 200$ mA		0.2	0.3	V
Output High level voltage	V_{OH}	$I_O = 200$ mA	3.9	4.1		V
Hall input sensitivity	V_{HN}	Zero peak value (Including offset and hysteresis)		7	15	mV
RD output pin Low voltage	V_{RD}	$I_{RD} = 5$ mA		0.1	0.3	V
RD output pin leakage current	I_{RD_L}	$V_{RD} = 15$ V			30	μ A
HB output Low voltage	V_{HBL}	$I_{HB} = 5$ mA		1.0	1.3	V
ST pin input current	I_{ST}	$V_{ST} = 5$ V		75	100	μ A



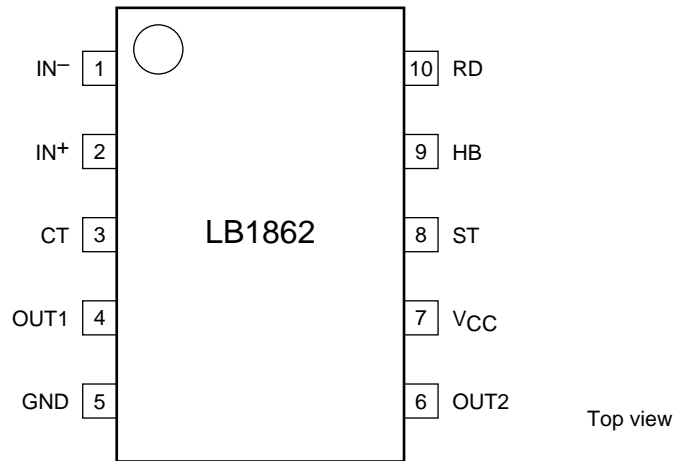
LB1862

Truth Table

ST	IN ⁻	IN ⁺	CT	OUT1	OUT2	RD	HB	Mode
H	–	–	–	off	off	off	off	Standby
L	H	L	L	H	L	L	L	Rotating
	L	H		L	H			
			H	off	off	off	L	Lockup protection activated

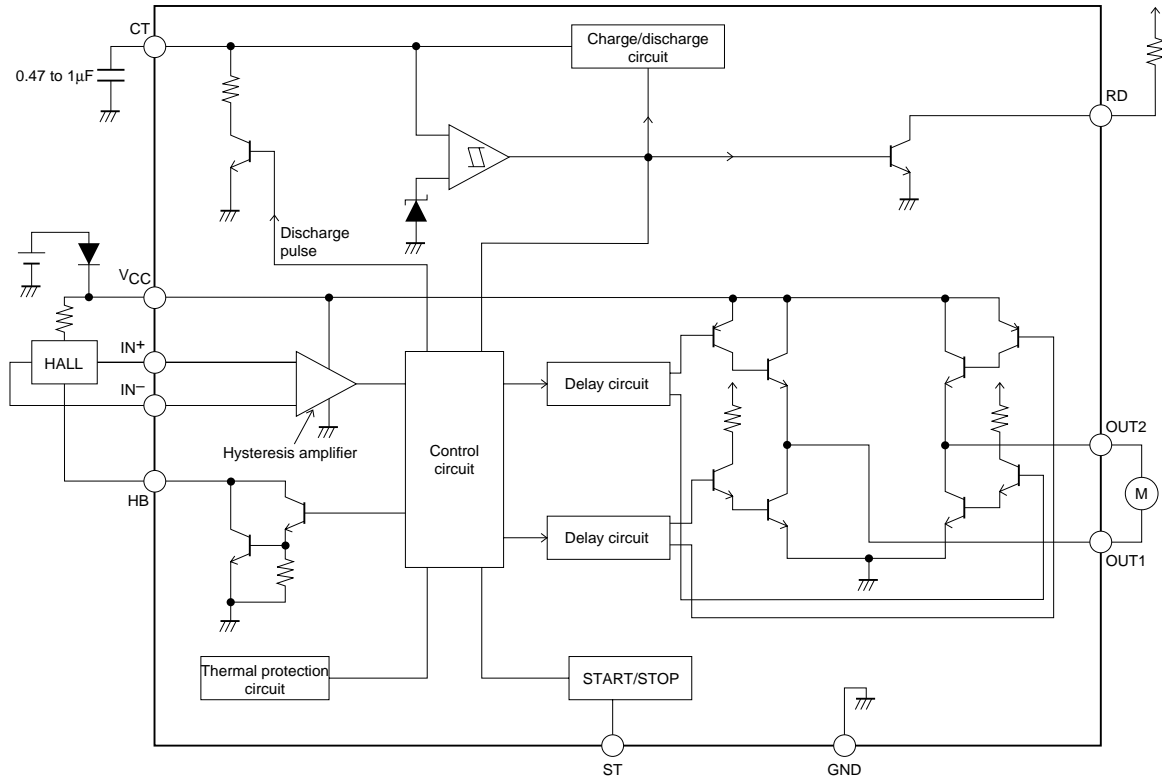
Latch-type RD output is Low during rotation and High during stop.

Pin Assignment



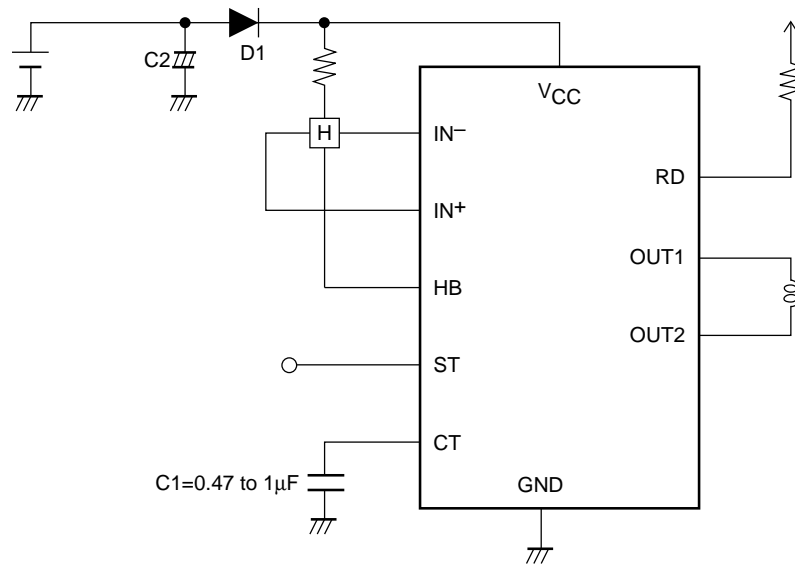
A12476

Block Diagram



A12478

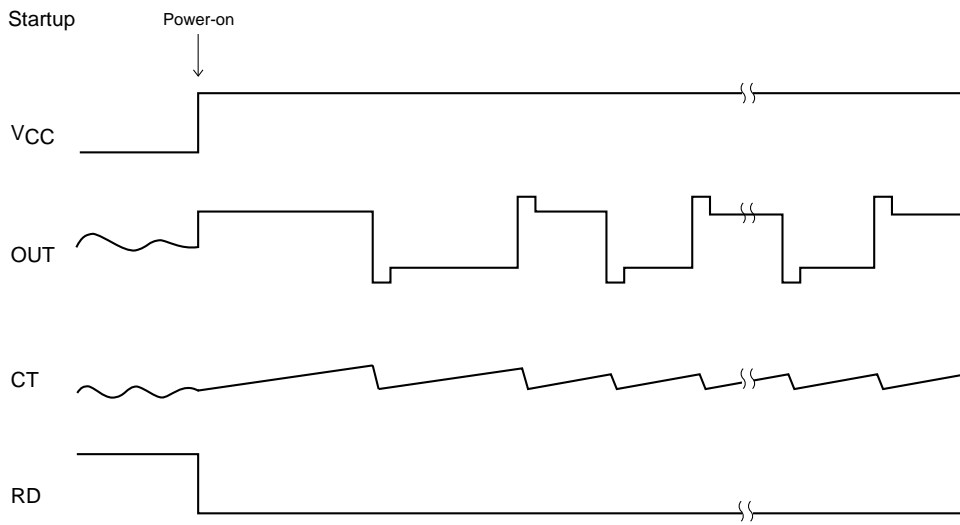
Sample Application Circuit



A12477

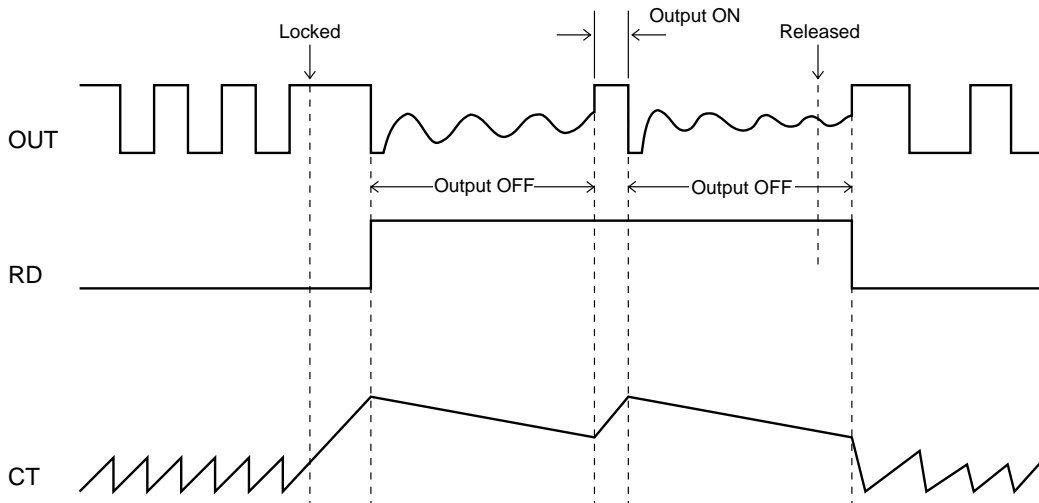
- (1) D1 is used to prevent IC destruction caused by reverse-connection. It can be omitted if no problems are expected.
- (2) C2 would not be required for the internal fan PCB but required for the power supply line in order to reduce the power line impedance and pass the regenerative current because a motor is basically an inductive load and it has a possibility of large current when the power is first applied or in other cases.
- (3) When CT is not used, it should be connected to ground.
- (4) When RD, ST, and HB are not used, they should be left open or connected to ground.

Startup

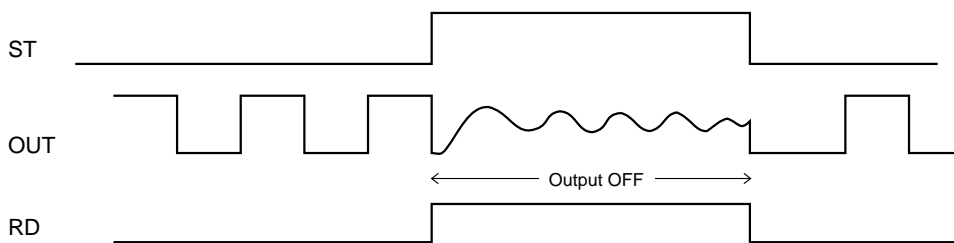


A12479

Lockup protection/automatic recovery



Start/stop



A12480

Design reference(1) V_{CC} pin

Power supply pin for control block and motor drive.

Accepts a wide operation voltage range from 3.8 to 16.8V, for 5V/12V dual power supply support.

(2) OUT1, OUT2 pins

Single-phase coil output pins.

Bipolar drive output with upper side inverted and lower side single output. Built-in regenerative circuit regenerates kickback current between lower side NPN outputs when a diode is used for protection against IC destruction caused by reverse connection.

(3) IN^- , IN^+ pins

Hall input signal pins

The Hall signal is amplified into a square wave by the Hall amplifier with hysteresis characteristics of ± 3.5 mV (typ.). The Hall input signal amplitude should be 70 mV or more.

(4) CT pin

This pin serves for connecting a capacitor between CT and GND.

The capacitor determines the characteristics of the built-in lockup protection circuit for preventing coil burnout in the case of motor restraint. Once normal motor load is restored, the automatic recovery circuit resets itself.

Changing the capacitance alters the lockup detection time.

When a 0.47 μ F capacitor is connected between CT and GND

Lockup detection time	: approx. 0.5s
Lockup protection time/automatic recovery time	: approx. 0.16s (output ON) approx. 1s (output OFF)

When not using lockup protection function, this pin should be connected to ground.

(5) RD pin

Open-collector output pin that is Low during rotation and OFF when lockup is detected.

The output is a latch type which stays OFF also when the automatic recovery circuit has restored drive mode, unless the rotation actually resumes.

(6) ST pin and HB pin

ST pin : When input to this pin is High, motor drive is stopped (OUT is high impedance).

At this time, RD output indicates lockup protection mode OFF.

HB pin : Hall bias switching pin. At ST pin High input, Hall bias is cut off to reduce current drain in fan standby mode.

If not used, both pins should be open.

(7) Thermal protection circuit

When internal temperature T_j of IC reaches 180°C, output current limiter is activated to protect against damage.

- Specifications of any and all SANYO products described or contained herein stipulate the performance, characteristics, and functions of the described products in the independent state, and are not guarantees of the performance, characteristics, and functions of the described products as mounted in the customer's products or equipment. To verify symptoms and states that cannot be evaluated in an independent device, the customer should always evaluate and test devices mounted in the customer's products or equipment.
- SANYO Electric Co., Ltd. strives to supply high-quality high-reliability products. However, any and all semiconductor products fail with some probability. It is possible that these probabilistic failures could give rise to accidents or events that could endanger human lives, that could give rise to smoke or fire, or that could cause damage to other property. When designing equipment, adopt safety measures so that these kinds of accidents or events cannot occur. Such measures include but are not limited to protective circuits and error prevention circuits for safe design, redundant design, and structural design.
- In the event that any or all SANYO products(including technical data, services) described or contained herein are controlled under any of applicable local export control laws and regulations, such products must not be exported without obtaining the export license from the authorities concerned in accordance with the above law.
- No part of this publication may be reproduced or transmitted in any form or by any means, electronic or mechanical, including photocopying and recording, or any information storage or retrieval system, or otherwise, without the prior written permission of SANYO Electric Co., Ltd.
- Any and all information described or contained herein are subject to change without notice due to product/technology improvement, etc. When designing equipment, refer to the "Delivery Specification" for the SANYO product that you intend to use.
- Information (including circuit diagrams and circuit parameters) herein is for example only ; it is not guaranteed for volume production. SANYO believes information herein is accurate and reliable, but no guarantees are made or implied regarding its use or any infringements of intellectual property rights or other rights of third parties.

This catalog provides information as of October, 1999. Specifications and information herein are subject to change without notice.