

MSM5116160D/DSL**1,048,576-Word × 16-Bit DYNAMIC RAM : FAST PAGE MODE TYPE****DESCRIPTION**

The MSM5116160D/DSL is a 1,048,576-word × 16-bit dynamic RAM fabricated in Oki's silicon-gate CMOS technology. The MSM5116160D/DSL achieves high integration, high-speed operation, and low-power consumption because Oki manufactures the device in a quadruple-layer polysilicon/double-layer metal CMOS process. The MSM5116160D/DSL is available in a 42-pin plastic SOJ or 50/44-pin plastic TSOP. The MSM5116160DSL (the self-refresh version) is specially designed for lower-power applications.

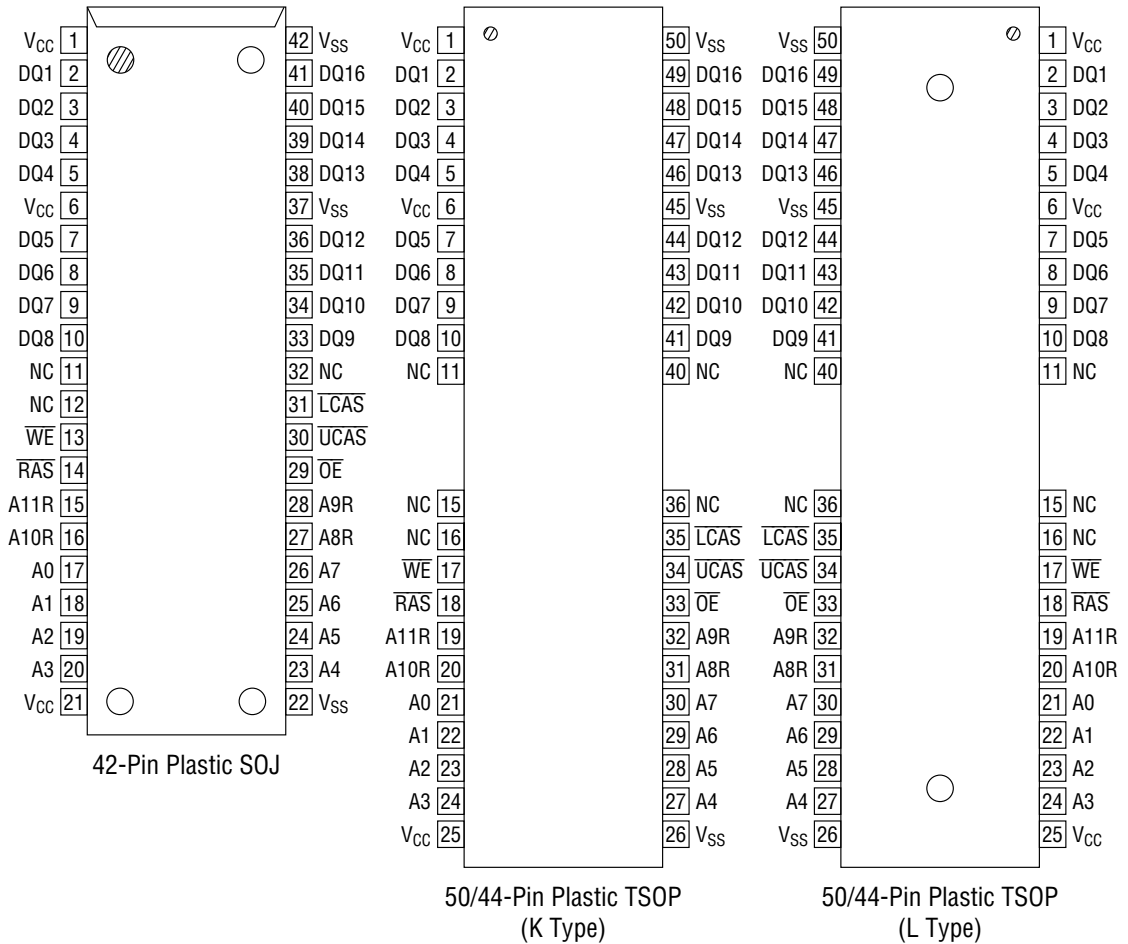
FEATURES

- 1,048,576-word × 16-bit configuration
 - Single 5 V power supply, ±10% tolerance
 - Input : TTL compatible, low input capacitance
 - Output : TTL compatible, 3-state
 - Refresh : 4096 cycles/64 ms, 4096 cycles/128 ms (SL version)
 - Fast page mode, read modify write capability
 - $\overline{\text{CAS}}$ before $\overline{\text{RAS}}$ refresh, hidden refresh, $\overline{\text{RAS}}$ -only refresh capability
 - $\overline{\text{CAS}}$ before $\overline{\text{RAS}}$ self-refresh capability (SL version)
 - Package options:
 - 42-pin 400 mil plastic SOJ (SOJ42-P-400-1.27) (Product : MSM5116160D/DSL-xxJS)
 - 50/44-pin 400 mil plastic TSOP (TSOPII50/44-P-400-0.80-K) (Product: MSM5116160D/DSL-xxTS-K)
 - (TSOPII50/44-P-400-0.80-L) (Product: MSM5116160D/DSL-xxTS-L)
- xx indicates speed rank.

PRODUCT FAMILY

| Family | Access Time (Max.) | | | | Cycle Time (Min.) | Power Dissipation | |
|--------------------|--------------------|-----------------|------------------|------------------|-------------------|-------------------|--------------------------------|
| | t _{RAC} | t _{AA} | t _{CAC} | t _{OEA} | | Operating (Max.) | Standby (Max.) |
| MSM5116160D/DSL-50 | 50 ns | 25 ns | 13 ns | 13 ns | 90 ns | 495 mW | 5.5 mW/ 1.1 mW (SL version) |
| MSM5116160D/DSL-60 | 60 ns | 30 ns | 15 ns | 15 ns | 110 ns | 468 mW | |
| MSM5116160D/DSL-70 | 70 ns | 35 ns | 20 ns | 20 ns | 130 ns | 440 mW | |

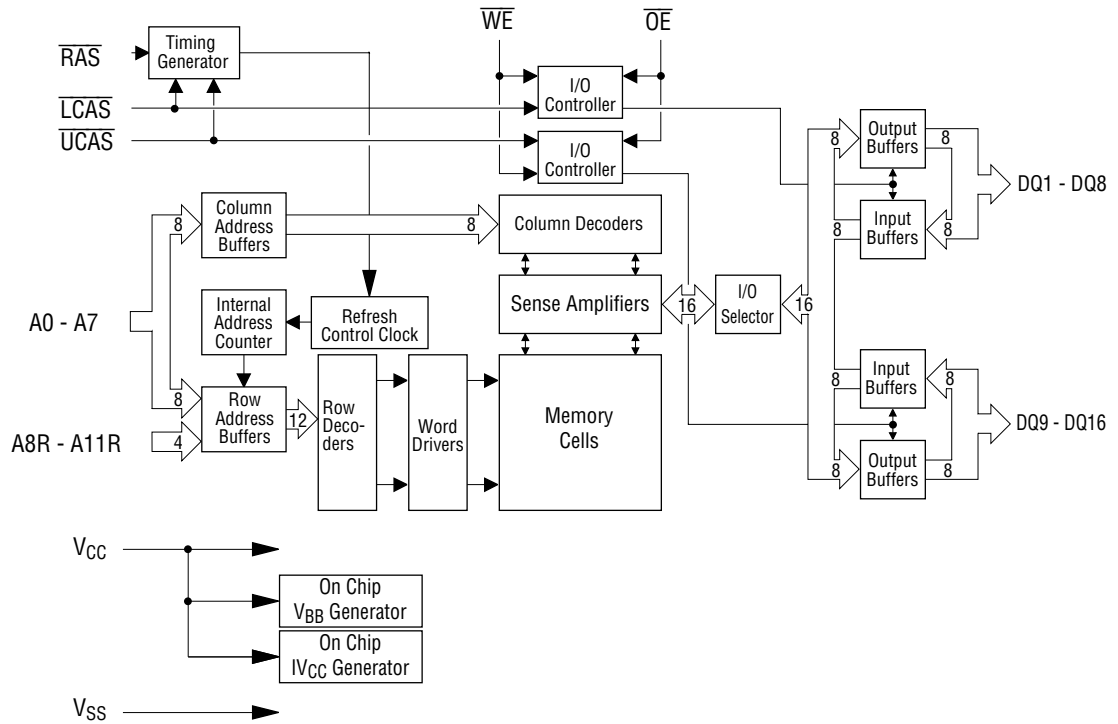
PIN CONFIGURATION (TOP VIEW)



| Pin Name | Function |
|--------------------------|----------------------------------|
| A0 - A7, A8R - A11R | Address Input |
| $\overline{\text{RAS}}$ | Row Address Strobe |
| $\overline{\text{LCAS}}$ | Lower Byte Column Address Strobe |
| $\overline{\text{UCAS}}$ | Upper Byte Column Address Strobe |
| DQ1 - DQ16 | Data Input/Data Output |
| $\overline{\text{OE}}$ | Output Enable |
| $\overline{\text{WE}}$ | Write Enable |
| V _{CC} | Power Supply (5 V) |
| V _{SS} | Ground (0 V) |
| NC | No Connection |

Note : The same power supply voltage must be provided to every V_{CC} pin, and the same GND voltage level must be provided to every V_{SS} pin.

BLOCK DIAGRAM



FUNCTION TABLE

| Input Pin | | | | | DQ Pin | | Function Mode |
|-----------|------|------|----|----|------------------|------------------|------------------|
| RAS | LCAS | UCAS | WE | OE | DQ1 - DQ8 | DQ9 - DQ16 | |
| H | * | * | * | * | High-Z | High-Z | Standby |
| L | H | H | * | * | High-Z | High-Z | Refresh |
| L | L | H | H | L | D _{OUT} | High-Z | Lower Byte Read |
| L | H | L | H | L | High-Z | D _{OUT} | Upper Byte Read |
| L | L | L | H | L | D _{OUT} | D _{OUT} | Word Read |
| L | L | H | L | H | D _{IN} | Don't Care | Lower Byte Write |
| L | H | L | L | H | Don't Care | D _{IN} | Upper Byte Write |
| L | L | L | L | H | D _{IN} | D _{IN} | Word Write |
| L | L | L | H | H | High-Z | High-Z | — |

*: "H" or "L"

ELECTRICAL CHARACTERISTICS

Absolute Maximum Ratings

| Parameter | Symbol | Rating | Unit |
|---|-------------------|------------------------|------|
| Voltage on Any Pin Relative to V_{SS} | V_{IN}, V_{OUT} | -0.5 to $V_{CC} + 0.5$ | V |
| Voltage on V_{CC} Supply Relative to V_{SS} | V_{CC} | -0.5 to 7 | V |
| Short Circuit Output Current | I_{OS} | 50 | mA |
| Power Dissipation | P_D^* | 1 | W |
| Operating Temperature | T_{opr} | 0 to 70 | °C |
| Storage Temperature | T_{stg} | -55 to 150 | °C |

*: $T_a = 25^\circ\text{C}$

Recommended Operating Conditions

($T_a = 0^\circ\text{C}$ to 70°C)

| Parameter | Symbol | Min. | Typ. | Max. | Unit |
|----------------------|----------|-------------|------|---------------------|------|
| Power Supply Voltage | V_{CC} | 4.5 | 5.0 | 5.5 | V |
| | V_{SS} | 0 | 0 | 0 | V |
| Input High Voltage | V_{IH} | 2.4 | — | $V_{CC} + 0.5^{*1}$ | V |
| Input Low Voltage | V_{IL} | -0.5^{*2} | — | 0.8 | V |

- Notes : *1. The input voltage is $V_{CC} + 2.0\text{V}$ when the pulse width is less than 20 ns (the pulse width is with respect to the point at which V_{CC} is applied).
 *2. The input voltage is $V_{SS} - 2.0\text{V}$ when the pulse width is less than 20 ns (the pulse width is with respect to the point at which V_{SS} is applied).

Capacitance

($V_{CC} = 5\text{V} \pm 10\%$, $T_a = 25^\circ\text{C}$, $f = 1\text{MHz}$)

| Parameter | Symbol | Typ. | Max. | Unit |
|--|-----------|------|------|------|
| Input Capacitance (A0 - A7, A8R - A11R) | C_{IN1} | — | 5 | pF |
| Input Capacitance ($\overline{\text{RAS}}$, $\overline{\text{LCAS}}$, $\overline{\text{UCAS}}$, $\overline{\text{WE}}$, $\overline{\text{OE}}$) | C_{IN2} | — | 7 | pF |
| Output Capacitance (DQ1 - DQ16) | $C_{I/O}$ | — | 7 | pF |

DC Characteristics

($V_{CC} = 5\text{ V} \pm 10\%$, $T_a = 0^\circ\text{C}$ to 70°C)

| Parameter | Symbol | Condition | MSM5116160 D/DSL-50 | | MSM5116160 D/DSL-60 | | MSM5116160 D/DSL-70 | | Unit | Note |
|--|------------|--|------------------------|----------|---------------------------|------|------------------------|------|---------------|------------|
| | | | Min. | Max. | Min. | Max. | Min. | Max. | | |
| | | | Output High Voltage | V_{OH} | $I_{OH} = -5.0\text{ mA}$ | 2.4 | V_{CC} | 2.4 | | |
| Output Low Voltage | V_{OL} | $I_{OL} = 4.2\text{ mA}$ | 0 | 0.4 | 0 | 0.4 | 0 | 0.4 | V | |
| Input Leakage Current | I_{LI} | $0\text{ V} \leq V_I \leq 6.5\text{ V}$; All other pins not under test = 0 V | -10 | 10 | -10 | 10 | -10 | 10 | μA | |
| Output Leakage Current | I_{LO} | DQ disable $0\text{ V} \leq V_O \leq V_{CC}$ | -10 | 10 | -10 | 10 | -10 | 10 | μA | |
| Average Power Supply Current (Operating) | I_{CC1} | $\overline{\text{RAS}}$, $\overline{\text{CAS}}$ cycling, $t_{RC} = \text{Min.}$ | — | 90 | — | 85 | — | 80 | mA | 1, 2 |
| Power Supply Current (Standby) | I_{CC2} | $\overline{\text{RAS}}$, $\overline{\text{CAS}} = V_{IH}$ | — | 2 | — | 2 | — | 2 | mA | 1 |
| | | $\overline{\text{RAS}}$, $\overline{\text{CAS}}$ | — | 1 | — | 1 | — | 1 | μA | 1, 5 |
| | | $\geq V_{CC} - 0.2\text{ V}$ | — | 200 | — | 200 | — | 200 | μA | 1, 5 |
| Average Power Supply Current ($\overline{\text{RAS}}$ -only Refresh) | I_{CC3} | $\overline{\text{RAS}}$ cycling, $\overline{\text{CAS}} = V_{IH}$, $t_{RC} = \text{Min.}$ | — | 90 | — | 85 | — | 80 | mA | 1, 2 |
| Power Supply Current (Standby) | I_{CC5} | $\overline{\text{RAS}} = V_{IH}$, $\overline{\text{CAS}} = V_{IL}$, DQ = enable | — | 5 | — | 5 | — | 5 | mA | 1 |
| Average Power Supply Current ($\overline{\text{CAS}}$ before $\overline{\text{RAS}}$ Refresh) | I_{CC6} | $\overline{\text{RAS}}$ cycling, $\overline{\text{CAS}}$ before $\overline{\text{RAS}}$ | — | 90 | — | 85 | — | 80 | mA | 1, 2 |
| Average Power Supply Current (Fast Page Mode) | I_{CC7} | $\overline{\text{RAS}} = V_{IL}$, $\overline{\text{CAS}}$ cycling, $t_{PC} = \text{Min.}$ | — | 85 | — | 80 | — | 75 | mA | 1, 3 |
| Average Power Supply Current (Battery Backup) | I_{CC10} | $t_{RC} = 125\ \mu\text{s}$, $\overline{\text{CAS}}$ before $\overline{\text{RAS}}$, $t_{RAS} \leq 1\ \mu\text{s}$ | — | 400 | — | 400 | — | 400 | μA | 1, 4, 5 |
| Average Power Supply Current ($\overline{\text{CAS}}$ before $\overline{\text{RAS}}$ Self-Refresh) | I_{CC8} | $\overline{\text{RAS}} \leq 0.2\text{ V}$, $\overline{\text{CAS}} \leq 0.2\text{ V}$ | — | 300 | — | 300 | — | 300 | μA | 1, 5 |

- Notes :
- I_{CC} Max. is specified as I_{CC} for output open condition.
 - The address can be changed once or less while $\overline{\text{RAS}} = V_{IL}$.
 - The address can be changed once or less while $\overline{\text{CAS}} = V_{IH}$.
 - $V_{CC} - 0.2\text{ V} \leq V_{IH} \leq V_{CC} + 0.5\text{ V}$, $-0.5\text{ V} \leq V_{IL} \leq 0.2\text{ V}$.
 - SL version.

AC Characteristics (1/2)

(V_{CC} = 5 V ±10%, T_a = 0°C to 70°C) Note 1, 2, 3

| Parameter | Symbol | MSM5116160 D/DSL-50 | | MSM5116160 D/DSL-60 | | MSM5116160 D/DSL-70 | | Unit | Note |
|--|-------------------|---------------------------------|-----------------|------------------------|---------|------------------------|---------|------|---------|
| | | Min. | Max. | Min. | Max. | Min. | Max. | | |
| | | Random Read or Write Cycle Time | t _{RC} | 90 | — | 110 | — | | |
| Read Modify Write Cycle Time | t _{RWC} | 131 | — | 155 | — | 185 | — | ns | |
| Fast Page Mode Cycle Time | t _{PC} | 35 | — | 40 | — | 45 | — | ns | |
| Fast Page Mode Read Modify Write Cycle Time | t _{PRWC} | 76 | — | 85 | — | 100 | — | ns | |
| Access Time from $\overline{\text{RAS}}$ | t _{RAC} | — | 50 | — | 60 | — | 70 | ns | 4, 5, 6 |
| Access Time from $\overline{\text{CAS}}$ | t _{CAC} | — | 13 | — | 15 | — | 20 | ns | 4, 5 |
| Access Time from Column Address | t _{AA} | — | 25 | — | 30 | — | 35 | ns | 4, 6 |
| Access Time from $\overline{\text{CAS}}$ Precharge | t _{CPA} | — | 30 | — | 35 | — | 40 | ns | 4, 12 |
| Access Time from $\overline{\text{OE}}$ | t _{OEA} | — | 13 | — | 15 | — | 20 | ns | 4 |
| Output Low Impedance Time from $\overline{\text{CAS}}$ | t _{CLZ} | 0 | — | 0 | — | 0 | — | ns | 4 |
| $\overline{\text{CAS}}$ to Data Output Buffer Turn-off Delay Time | t _{OFF} | 0 | 13 | 0 | 15 | 0 | 20 | ns | 7 |
| $\overline{\text{OE}}$ to Data Output Buffer Turn-off Delay Time | t _{OEZ} | 0 | 13 | 0 | 15 | 0 | 20 | ns | 7 |
| Transition Time | t _T | 3 | 50 | 3 | 50 | 3 | 50 | ns | 3 |
| Refresh Period | t _{REF} | — | 64 | — | 64 | — | 64 | ms | |
| Refresh Period (SL version) | t _{REF} | — | 128 | — | 128 | — | 128 | ms | 15 |
| $\overline{\text{RAS}}$ Precharge Time | t _{RP} | 30 | — | 40 | — | 50 | — | ns | |
| $\overline{\text{RAS}}$ Pulse Width | t _{RAS} | 50 | 10,000 | 60 | 10,000 | 70 | 10,000 | ns | |
| $\overline{\text{RAS}}$ Pulse Width (Fast Page Mode) | t _{RASP} | 50 | 100,000 | 60 | 100,000 | 70 | 100,000 | ns | |
| $\overline{\text{RAS}}$ Hold Time | t _{RSH} | 13 | — | 15 | — | 20 | — | ns | |
| $\overline{\text{RAS}}$ Hold Time referenced to $\overline{\text{OE}}$ | t _{ROH} | 13 | — | 15 | — | 20 | — | ns | |
| $\overline{\text{CAS}}$ Precharge Time (Fast Page Mode) | t _{CP} | 7 | — | 10 | — | 10 | — | ns | 14 |
| $\overline{\text{CAS}}$ Pulse Width | t _{CAS} | 13 | 10,000 | 15 | 10,000 | 20 | 10,000 | ns | |
| $\overline{\text{CAS}}$ Hold Time | t _{CSH} | 50 | — | 60 | — | 70 | — | ns | |
| $\overline{\text{CAS}}$ to $\overline{\text{RAS}}$ Precharge Time | t _{CRP} | 5 | — | 5 | — | 5 | — | ns | 12 |
| $\overline{\text{RAS}}$ Hold Time from $\overline{\text{CAS}}$ Precharge | t _{RHCP} | 30 | — | 35 | — | 40 | — | ns | 12 |
| $\overline{\text{RAS}}$ to $\overline{\text{CAS}}$ Delay Time | t _{RCD} | 17 | 37 | 20 | 45 | 20 | 50 | ns | 5 |
| $\overline{\text{RAS}}$ to Column Address Delay Time | t _{RAD} | 12 | 25 | 15 | 30 | 15 | 35 | ns | 6 |
| Row Address Set-up Time | t _{ASR} | 0 | — | 0 | — | 0 | — | ns | |
| Row Address Hold Time | t _{RAH} | 7 | — | 10 | — | 10 | — | ns | |
| Column Address Set-up Time | t _{ASC} | 0 | — | 0 | — | 0 | — | ns | 11 |
| Column Address Hold Time | t _{CAH} | 7 | — | 10 | — | 15 | — | ns | 11 |
| Column Address to $\overline{\text{RAS}}$ Lead Time | t _{RAL} | 25 | — | 30 | — | 35 | — | ns | |
| Read Command Set-up Time | t _{RCS} | 0 | — | 0 | — | 0 | — | ns | 11 |
| Read Command Hold Time | t _{RCH} | 0 | — | 0 | — | 0 | — | ns | 8, 11 |
| Read Command Hold Time referenced to $\overline{\text{RAS}}$ | t _{RRH} | 0 | — | 0 | — | 0 | — | ns | 8 |

AC Characteristics (2/2)

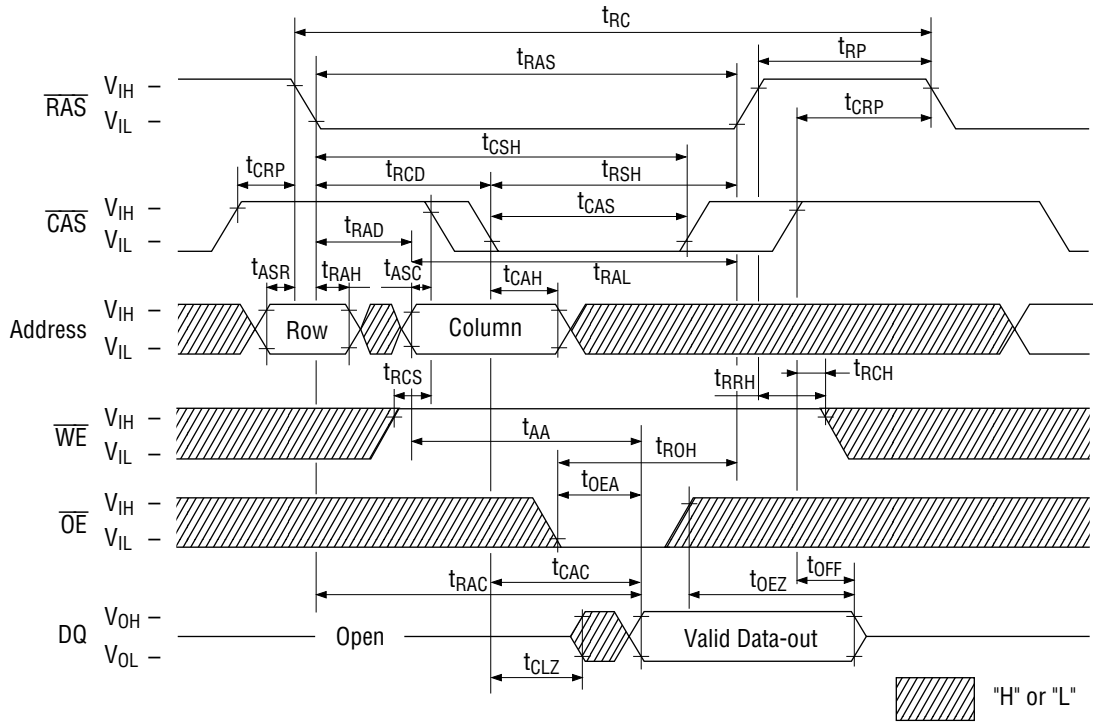
(V_{CC} = 5 V ±10%, T_a = 0°C to 70°C) Note 1, 2, 3

| Parameter | Symbol | MSM5116160 D/DSL-50 | | MSM5116160 D/DSL-60 | | MSM5116160 D/DSL-70 | | Unit | Note |
|---|--|------------------------|------|------------------------|------|------------------------|------|------|--------|
| | | Min. | Max. | Min. | Max. | Min. | Max. | | |
| Write Command Set-up Time | t _{WCS} | 0 | — | 0 | — | 0 | — | ns | 9, 11 |
| Write Command Hold Time | t _{WCH} | 7 | — | 10 | — | 15 | — | ns | 11 |
| Write Command Pulse Width | t _{WP} | 7 | — | 10 | — | 10 | — | ns | |
| \overline{OE} Command Hold Time | t _{OE\overline{H}} | 13 | — | 15 | — | 20 | — | ns | |
| Write Command to \overline{RAS} Lead Time | t _{RWL} | 13 | — | 15 | — | 20 | — | ns | |
| Write Command to \overline{CAS} Lead Time | t _{CWL} | 13 | — | 15 | — | 20 | — | ns | 13 |
| Data-in Set-up Time | t _{DS} | 0 | — | 0 | — | 0 | — | ns | 10, 11 |
| Data-in Hold Time | t _{DH} | 7 | — | 10 | — | 15 | — | ns | 10, 11 |
| \overline{OE} to Data-in Delay Time | t _{OED} | 13 | — | 15 | — | 20 | — | ns | |
| \overline{CAS} to \overline{WE} Delay Time | t _{CWD} | 36 | — | 40 | — | 50 | — | ns | 9 |
| Column Address to \overline{WE} Delay Time | t _{AWD} | 48 | — | 55 | — | 65 | — | ns | 9 |
| \overline{RAS} to \overline{WE} Delay Time | t _{RWD} | 73 | — | 85 | — | 100 | — | ns | 9 |
| \overline{CAS} Precharge \overline{WE} Delay Time | t _{CPWD} | 53 | — | 60 | — | 70 | — | ns | 9 |
| \overline{CAS} Active Delay Time from \overline{RAS} Precharge | t _{RPC} | 5 | — | 5 | — | 5 | — | ns | 11 |
| \overline{RAS} to \overline{CAS} Set-up Time (\overline{CAS} before \overline{RAS}) | t _{CSR} | 10 | — | 10 | — | 10 | — | ns | 11 |
| \overline{RAS} to \overline{CAS} Hold Time (\overline{CAS} before \overline{RAS}) | t _{CHR} | 10 | — | 10 | — | 10 | — | ns | 12 |
| \overline{RAS} Pulse Width (\overline{CAS} before \overline{RAS} Self-Refresh) | t _{RASS} | 100 | — | 100 | — | 100 | — | μs | 15 |
| \overline{RAS} Precharge Time (\overline{CAS} before \overline{RAS} Self-Refresh) | t _{RPS} | 90 | — | 110 | — | 130 | — | ns | 15 |
| \overline{CAS} Hold Time (\overline{CAS} before \overline{RAS} Self-Refresh) | t _{CHS} | -50 | — | -50 | — | -50 | — | ns | 15 |

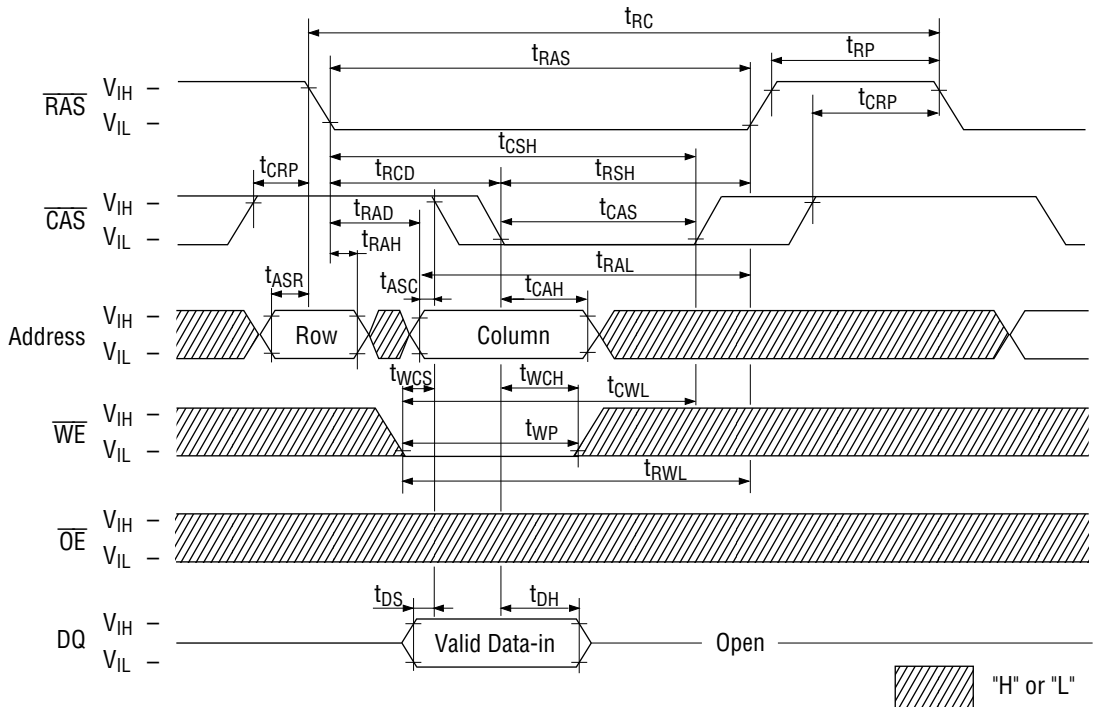
- Notes:
1. A start-up delay of 200 μ s is required after power-up, followed by a minimum of eight initialization cycles ($\overline{\text{RAS}}$ -only refresh or $\overline{\text{CAS}}$ before $\overline{\text{RAS}}$ refresh) before proper device operation is achieved.
 2. The AC characteristics assume $t_T = 5$ ns.
 3. V_{IH} (Min.) and V_{IL} (Max.) are reference levels for measuring input timing signals. Transition times (t_T) are measured between V_{IH} and V_{IL} .
 4. This parameter is measured with a load circuit equivalent to 2 TTL loads and 100 pF.
 5. Operation within the t_{RCD} (Max.) limit ensures that t_{RAC} (Max.) can be met. t_{RCD} (Max.) is specified as a reference point only. If t_{RCD} is greater than the specified t_{RCD} (Max.) limit, then the access time is controlled by t_{CAC} .
 6. Operation within the t_{RAD} (Max.) limit ensures that t_{RAC} (Max.) can be met. t_{RAD} (Max.) is specified as a reference point only. If t_{RAD} is greater than the specified t_{RAD} (Max.) limit, then the access time is controlled by t_{AA} .
 7. t_{OFF} (Max.) and t_{OEZ} (Max.) define the time at which the output achieves the open circuit condition and are not referenced to output voltage levels.
 8. t_{RCH} or t_{RRH} must be satisfied for a read cycle.
 9. t_{WCS} , t_{CWD} , t_{RWD} , t_{AWD} and t_{CPWD} are not restrictive operating parameters. They are included in the data sheet as electrical characteristics only. If $t_{WCS} \geq t_{WCS}$ (Min.), then the cycle is an early write cycle and the data out will remain open circuit (high impedance) throughout the entire cycle. If $t_{CWD} \geq t_{CWD}$ (Min.), $t_{RWD} \geq t_{RWD}$ (Min.), $t_{AWD} \geq t_{AWD}$ (Min.) and $t_{CPWD} \geq t_{CPWD}$ (Min.), then the cycle is a read modify write cycle and data out will contain data read from the selected cell; if neither of the above sets of conditions is satisfied, then the condition of the data out (at access time) is indeterminate.
 10. These parameters are referenced to the $\overline{\text{UCAS}}$ and $\overline{\text{LCAS}}$, leading edges in an early write cycle, and to the $\overline{\text{WE}}$ leading edge in an $\overline{\text{OE}}$ control write cycle, or a read modify write cycle.
 11. These parameters are determined by the falling edge of either $\overline{\text{UCAS}}$ or $\overline{\text{LCAS}}$, whichever is earlier.
 12. These parameters are determined by the rising edge of either $\overline{\text{UCAS}}$ or $\overline{\text{LCAS}}$, whichever is later.
 13. t_{CWL} should be satisfied by both $\overline{\text{UCAS}}$ and $\overline{\text{LCAS}}$.
 14. t_{CP} is determined by the time both $\overline{\text{UCAS}}$ and $\overline{\text{LCAS}}$ are high.
 15. Only SL version.

TIMING WAVEFORM

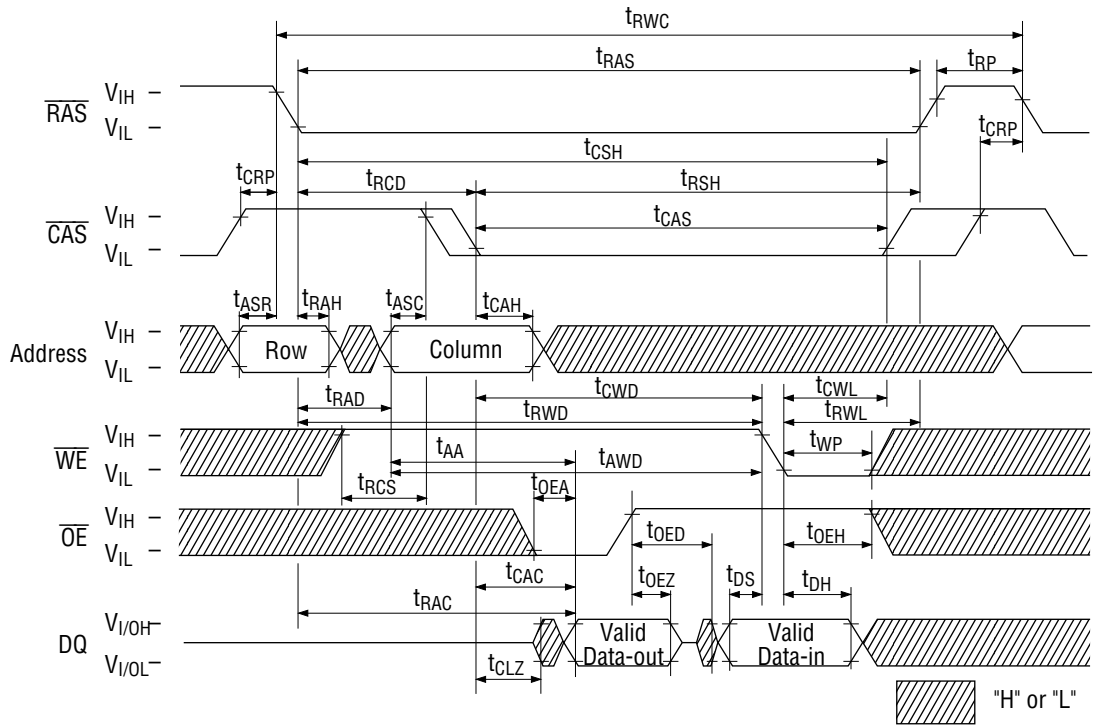
Read Cycle



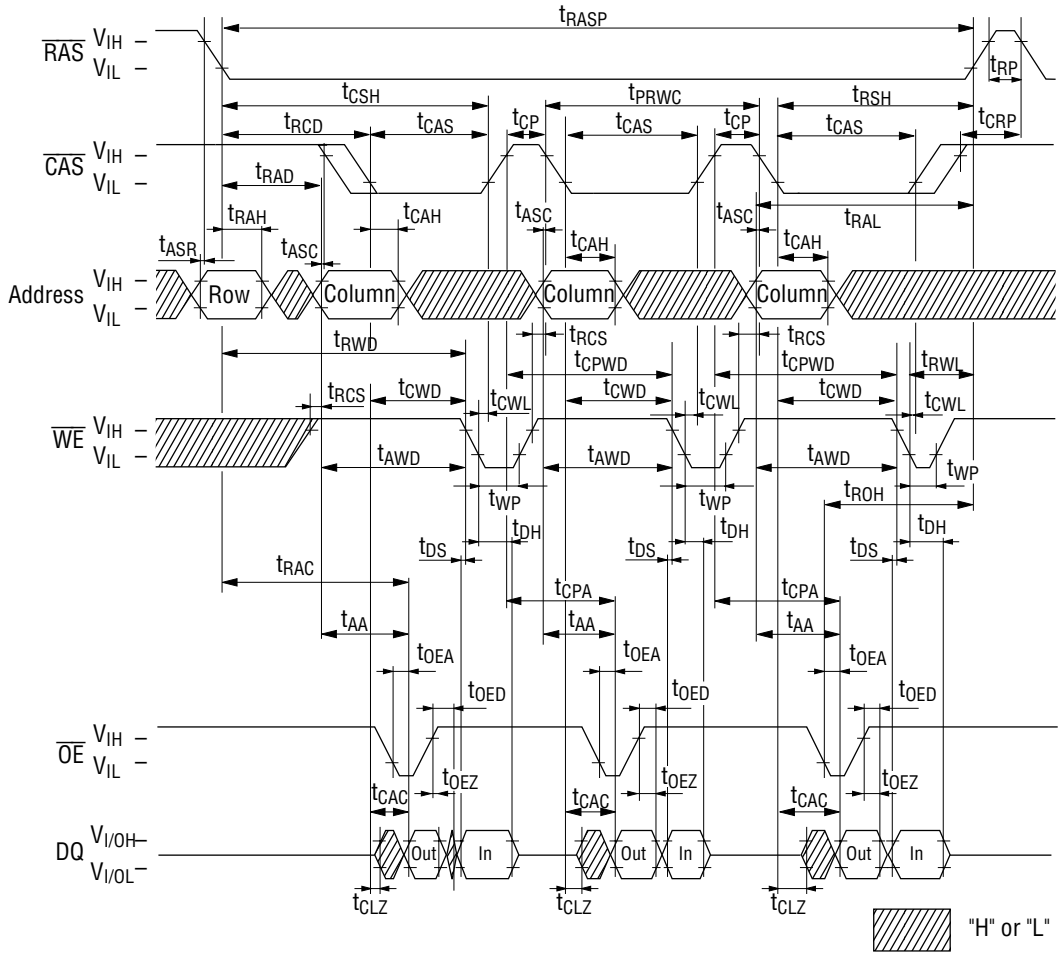
Write Cycle (Early Write)



Read Modify Write Cycle

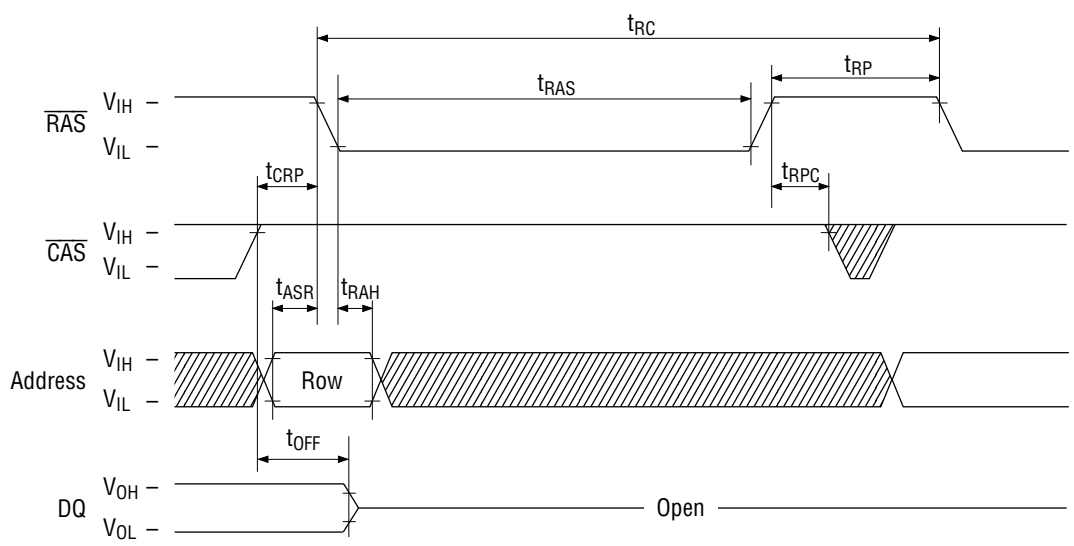


Fast Page Mode Read Modify Write Cycle



"H" or "L"

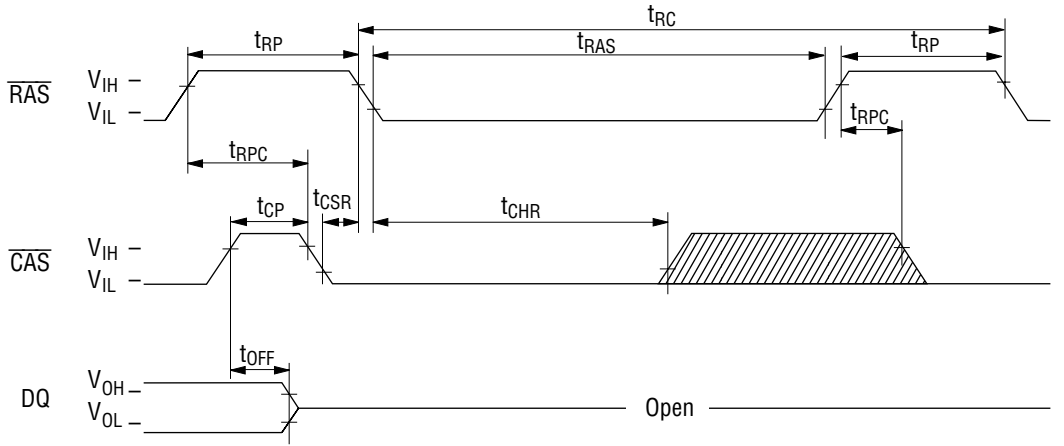
RAS-Only Refresh Cycle

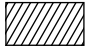


Note: \overline{WE} , \overline{OE} = "H" or "L"

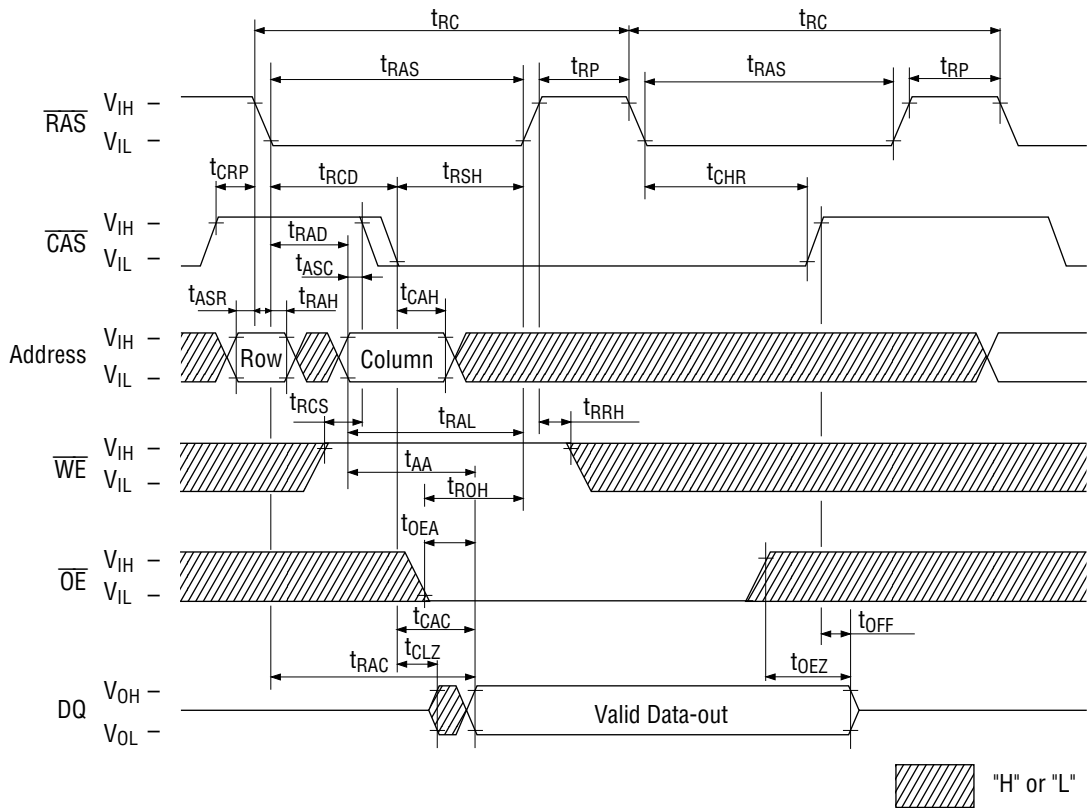
"H" or "L"

CAS before RAS Refresh Cycle



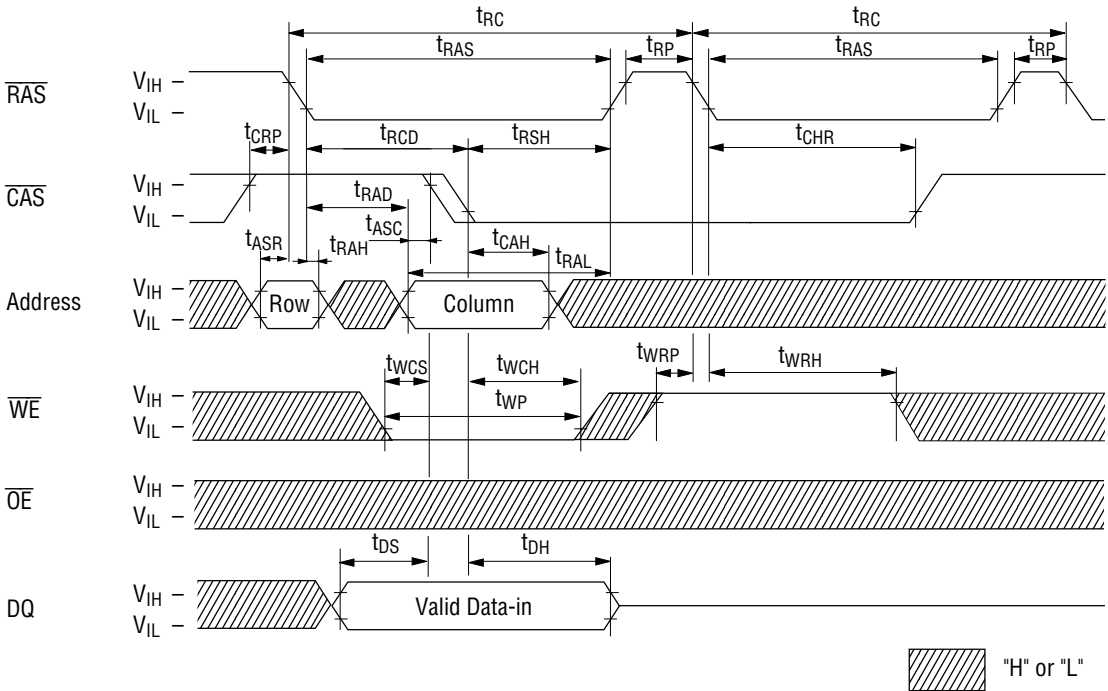
Note: \overline{WE} , \overline{OE} , Address = "H" or "L"  "H" or "L"

Hidden Refresh Read Cycle

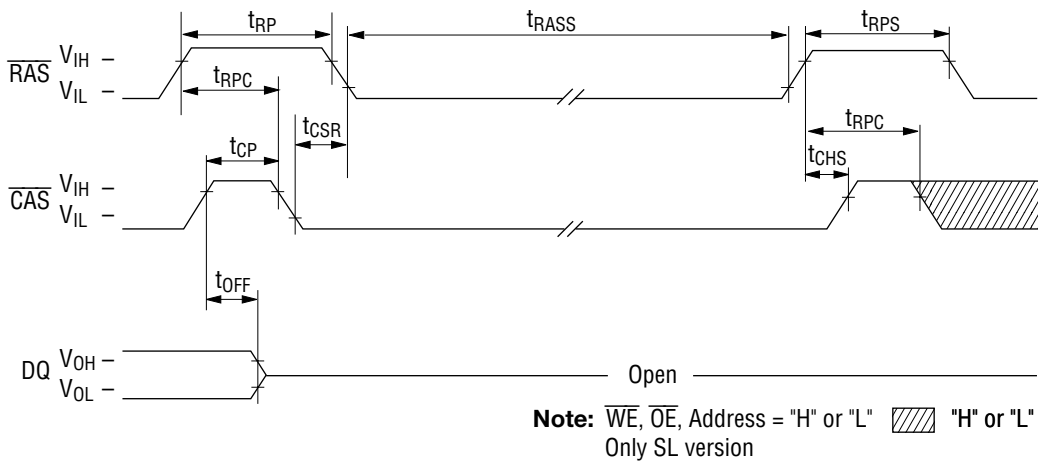


 "H" or "L"

Hidden Refresh Write Cycle

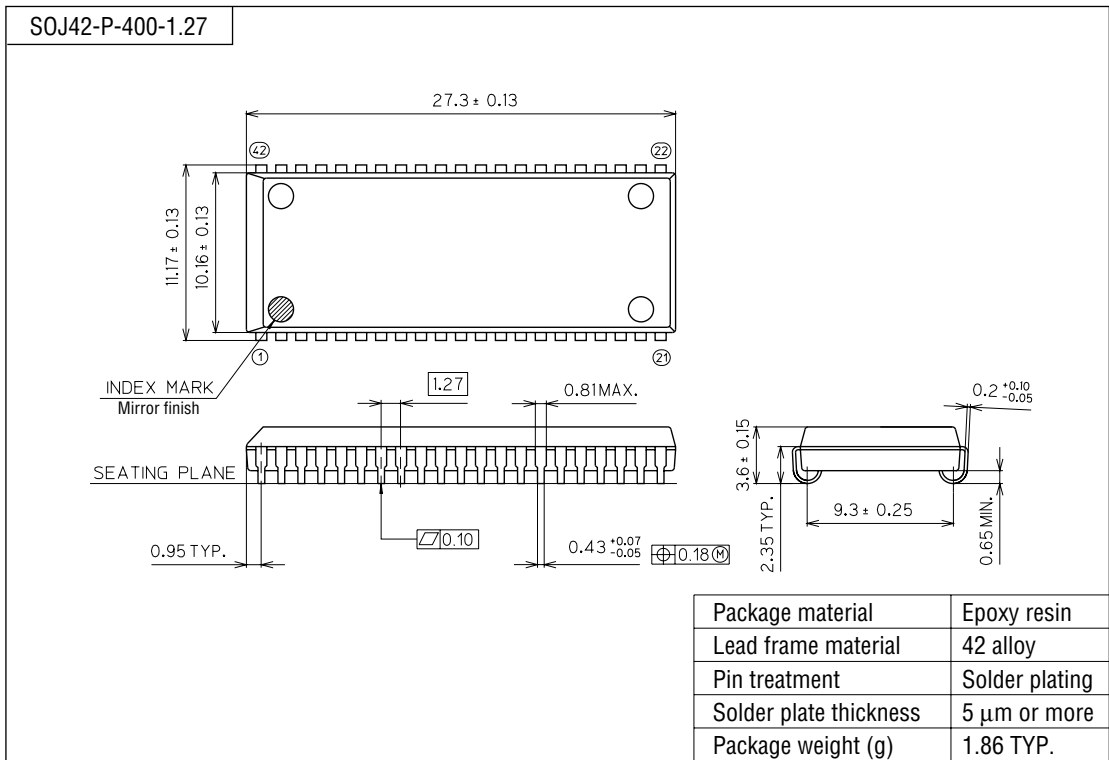


CAS before RAS Self-Refresh Cycle



PACKAGE DIMENSIONS

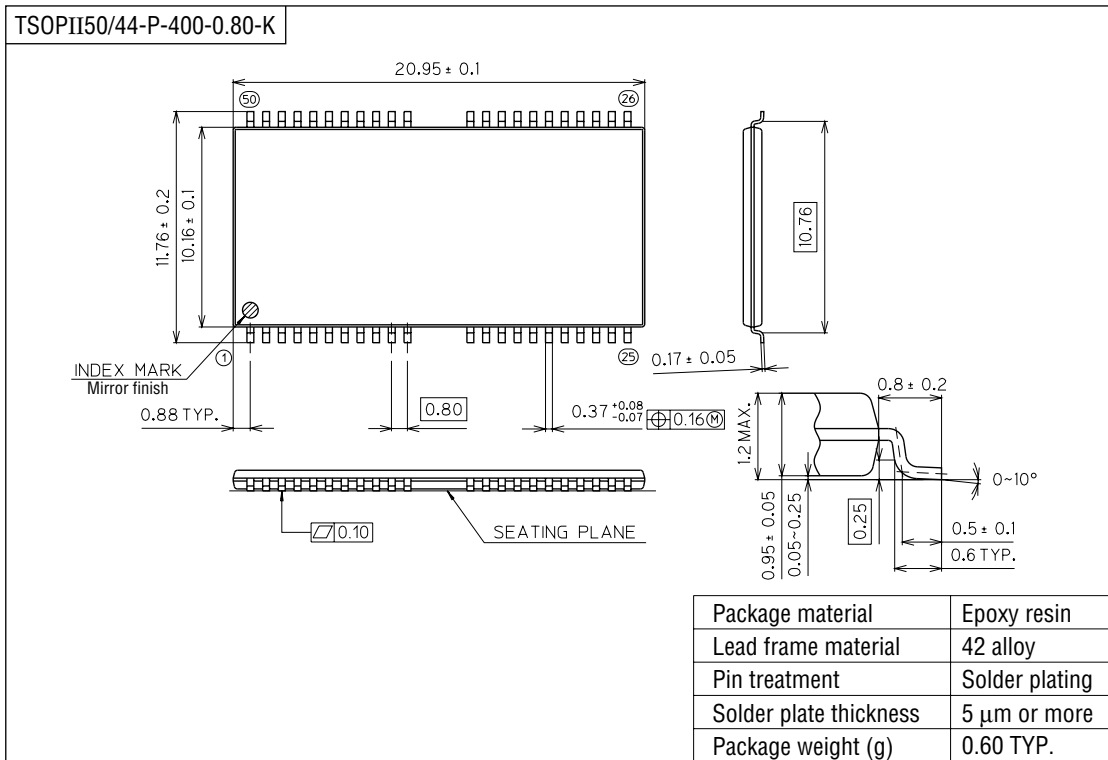
(Unit : mm)



Notes for Mounting the Surface Mount Type Package

The SOP, QFP, TSOP, TQFP, LQFP, SOJ, QFJ (PLCC), SHP, and BGA are surface mount type packages, which are very susceptible to heat in reflow mounting and humidity absorbed in storage. Therefore, before you perform reflow mounting, contact Oki's responsible sales person on the product name, package name, pin number, package code and desired mounting conditions (reflow method, temperature and times).

(Unit : mm)



Notes for Mounting the Surface Mount Type Package

The SOP, QFP, TSOP, TQFP, LQFP, SOJ, QFJ (PLCC), SHP, and BGA are surface mount type packages, which are very susceptible to heat in reflow mounting and humidity absorbed in storage. Therefore, before you perform reflow mounting, contact Oki's responsible sales person on the product name, package name, pin number, package code and desired mounting conditions (reflow method, temperature and times).

NOTICE

1. The information contained herein can change without notice owing to product and/or technical improvements. Before using the product, please make sure that the information being referred to is up-to-date.
2. The outline of action and examples for application circuits described herein have been chosen as an explanation for the standard action and performance of the product. When planning to use the product, please ensure that the external conditions are reflected in the actual circuit, assembly, and program designs.
3. When designing your product, please use our product below the specified maximum ratings and within the specified operating ranges including, but not limited to, operating voltage, power dissipation, and operating temperature.
4. Oki assumes no responsibility or liability whatsoever for any failure or unusual or unexpected operation resulting from misuse, neglect, improper installation, repair, alteration or accident, improper handling, or unusual physical or electrical stress including, but not limited to, exposure to parameters beyond the specified maximum ratings or operation outside the specified operating range.
5. Neither indemnity against nor license of a third party's industrial and intellectual property right, etc. is granted by us in connection with the use of the product and/or the information and drawings contained herein. No responsibility is assumed by us for any infringement of a third party's right which may result from the use thereof.
6. The products listed in this document are intended for use in general electronics equipment for commercial applications (e.g., office automation, communication equipment, measurement equipment, consumer electronics, etc.). These products are not authorized for use in any system or application that requires special or enhanced quality and reliability characteristics nor in any system or application where the failure of such system or application may result in the loss or damage of property, or death or injury to humans. Such applications include, but are not limited to, traffic and automotive equipment, safety devices, aerospace equipment, nuclear power control, medical equipment, and life-support systems.
7. Certain products in this document may need government approval before they can be exported to particular countries. The purchaser assumes the responsibility of determining the legality of export of these products and will take appropriate and necessary steps at their own expense for these.
8. No part of the contents contained herein may be reprinted or reproduced without our prior permission.
9. MS-DOS is a registered trademark of Microsoft Corporation.

Copyright 1999 Oki Electric Industry Co., Ltd.