

# DATA SHEET

Part No.	AN15526A
Package Code No.	T0220 - 7A

SEMICONDUCTOR COMPANY  
MATSUSHITA ELECTRIC INDUSTRIAL CO., LTD.

## Contents

■ Overview .....	3
■ Features .....	3
■ Applications .....	3
■ Package .....	3
■ Application Circuit .....	4
■ Block Diagram .....	6
■ Pin Descriptions .....	6
■ Absolute Maximum Ratings .....	7
■ Operating Supply Voltage Range .....	7

# AN15526A

## Silicon Monolithic Bipolar IC

### ■ Overview

AN15526A are ICs for CRT vertical deflection output. AN15526A can directly drive a deflection coil with saw wave output from a signal processing IC.

With its maximum output current of 2.4 A[p-p], AN15526A are suitable for the use of driving of 32 inch to 36 inch monitors.

### ■ Features

- Vertical output circuit
- Built-in pump up circuit
- Built-in thermal protection circuit
- Absolute maximum rating 80 V
- Maximum output current 2.4 A[p-p]

### ■ Applications

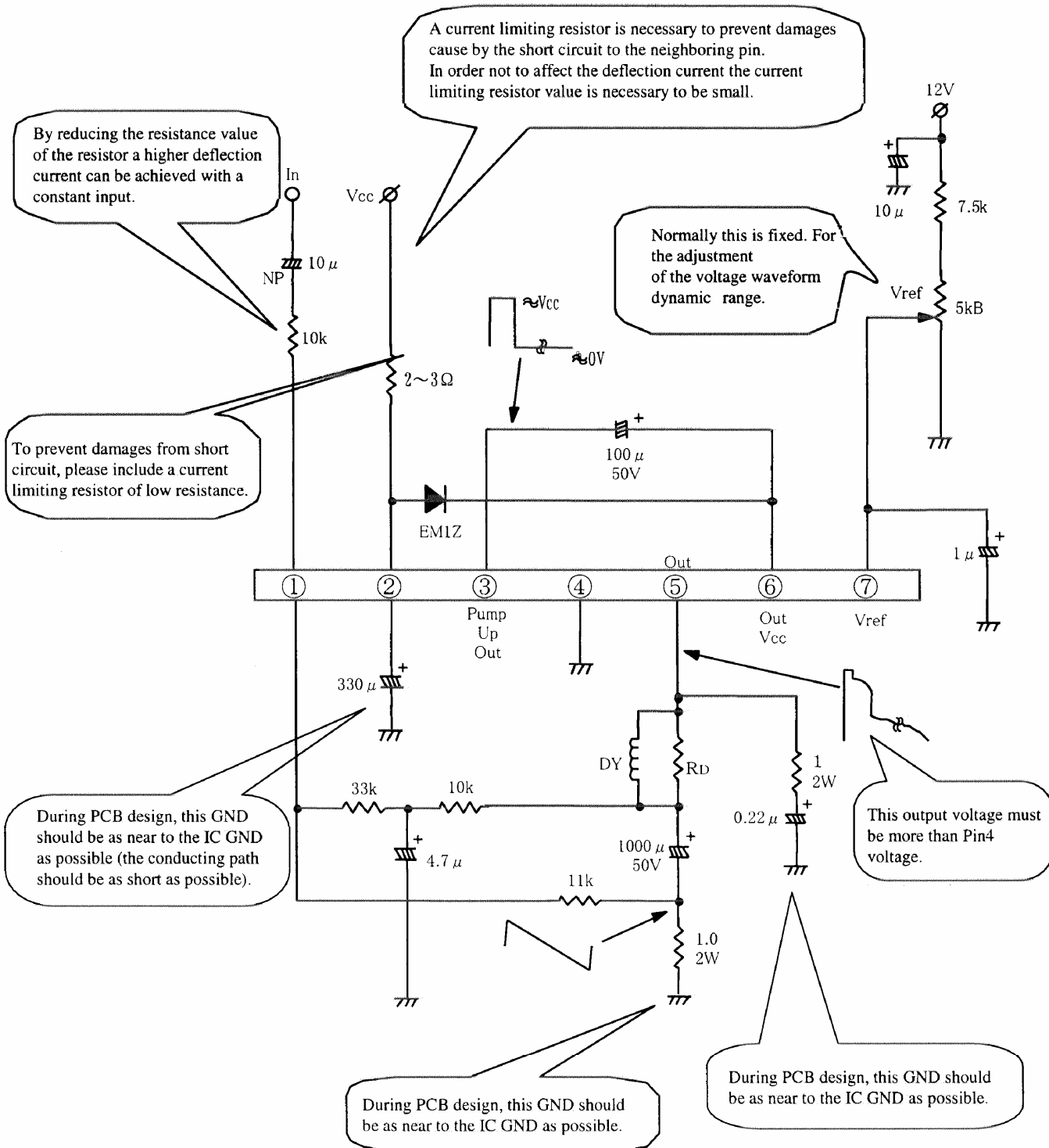
- CRT vertical output
- TV sets and displays

### ■ Package

- T0220 - 7pin plastic package with Fin

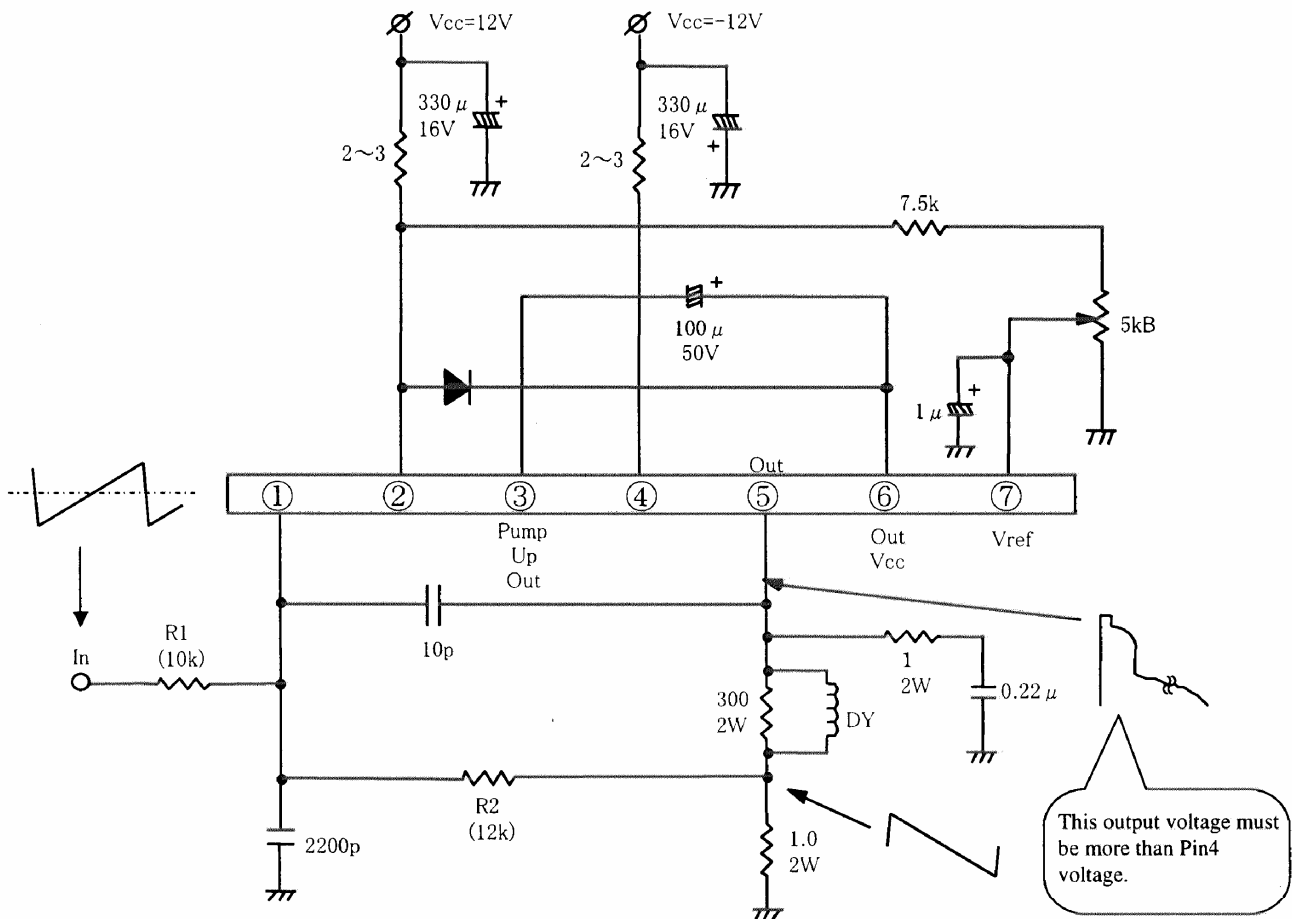
■ Application Circuit

- AC Coupling



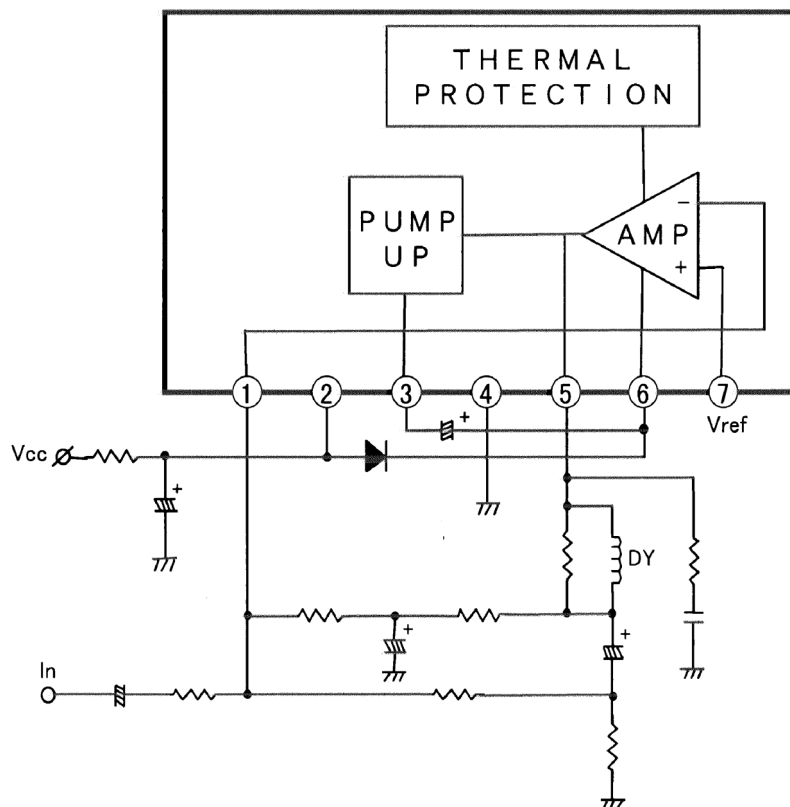
■ Application Circuit ( continued )

- DC Coupling



In order to get required gain, it is necessary to adjust the R1 and R2.

### ■ Block Diagram



### ■ Pin Descriptions

Pin No.	Pin name
1	Inverting input
2	Power supply
3	Pump - up output
4	GND
5	Vertical output
6	Vertical output power supply
7	Non - inverting input

### ■ Absolute Maximum Ratings

No.	Parameter	Symbol	Rating	Unit	Note
1	Storage temperature	$T_{stg}$	-55 to +150	°C	*1
2	Operating ambient temperature	$T_{opr}$	-20 to +70	°C	*1
3	Operating ambient atmospheric pressure	$P_{opr}$	$1.013 \times 10^5 \pm 0.61 \times 10^5$	Pa	
4	Operating constant gravity	$G_{opr}$	9 810	m/S <sup>2</sup>	
5	Operating shock	$S_{opr}$	4 900	m/S <sup>2</sup>	
6	Supply voltage	$V_{CC2}$	40	V	
7	Supply current	$I_{CC2}$	360	mA	
8	Power dissipation	$P_D$	1.5	W	*2
9	Circuit voltage	$V_{5-4}, V_{6-4}$	0	80	V
10	Circuit voltage	$V_{7-4}, V_{1-4}$	0	$V_{2-4}$	V
11	Circuit current	$I_5, I_3$	-1.5	1.5	A[0-p]

Note ) 1 : Except for the operating ambient temperature and storage temperature, all ratings are for  $T_a = 25^\circ\text{C}$

2 : The power dissipation shall be at  $T_a = 70^\circ\text{C}$  in free air, without heat sink. ( refer to sheet no. 13,17 )

### ■ Operating Supply Voltage Range

Operating supply voltage range	$V_{CC2}$	12 V to 35 V
Deflection output current	$I_{5p-p}$	to 2.4 A[p-p]