

# FX809 FFSK Modem

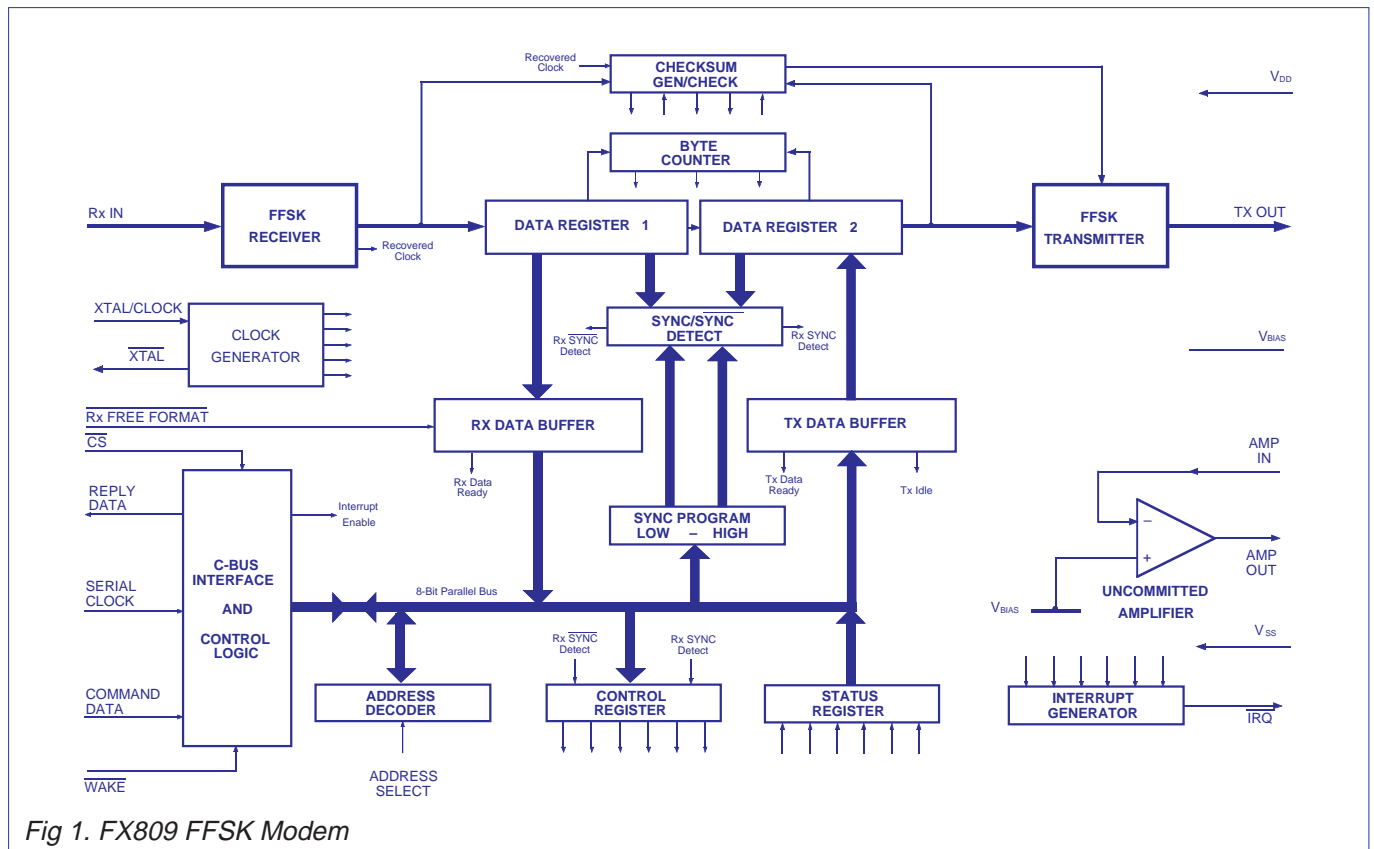


Fig 1. FX809 FFSK Modem

## Brief Description

An intelligent, half-duplex, FFSK/MSK modem which operates under "C-BUS" control. In addition this modem provides software selectable checksum generation and error checking, in accordance with MPT1327.

The FX809, using Interrupt and Status Register procedures, performs the functions described below:

### In Tx mode the FX809 will:

- (a) Accept from the host and transmit, 8-bit bytes of data as instructed (Preamble, Sync, Address and data).  
(b) internally calculate and insert a 2 byte checksum based upon the preceeding 6 bytes of data, or  
(c) disable the internal checksum generator and continuously transmit the data supplied.
- Transmit 1 hang-bit and go to Tx Idle when all loaded data bytes have been transmitted.

### In Rx mode the FX809 will:

- Detect and achieve bit synchronization within 16 bits.
- (a) Search and detect the user-programmed Sync (or its opposite logic sense) Word and achieve frame synchronization. Data will then be output in 8-bit bytes via the Rx Data Buffer.

(b) Use the received checksum to calculate the presence of any errors, setting the Status Register accordingly.

- Make the incoming data directly available, via the Rx Data Buffer (Rx Freeformat), overriding synchronization requirements.

The FX809 achieves Rx input timing by recovering an Rx clock from the incoming data stream. Output tones are timed to the internally generated transmit clock. Filter, register clocks and transmit FFSK tone frequencies are derived internally from the external Xtal or clock pulse input.

For compliance with the MPT 1327 Signalling Specification a 4.032MHz Xtal or clock input will be required.

*NOTE: All information contained in this data sheet is specified using a 4.032 MHz Xtal, 1200 bps baud rate, Mark and Space frequencies 1200 Hz and 1800 Hz.*

The FX809 is a low-power 5-volt integrated circuit, incorporating "Powersave" modes to further reduce power requirements.

An uncommitted amplifier is provided on chip for general purpose applications within DBS 800.

The FX809 is available in 24-pin cerdip DIL and 24-pin/lead plastic SMD packages.

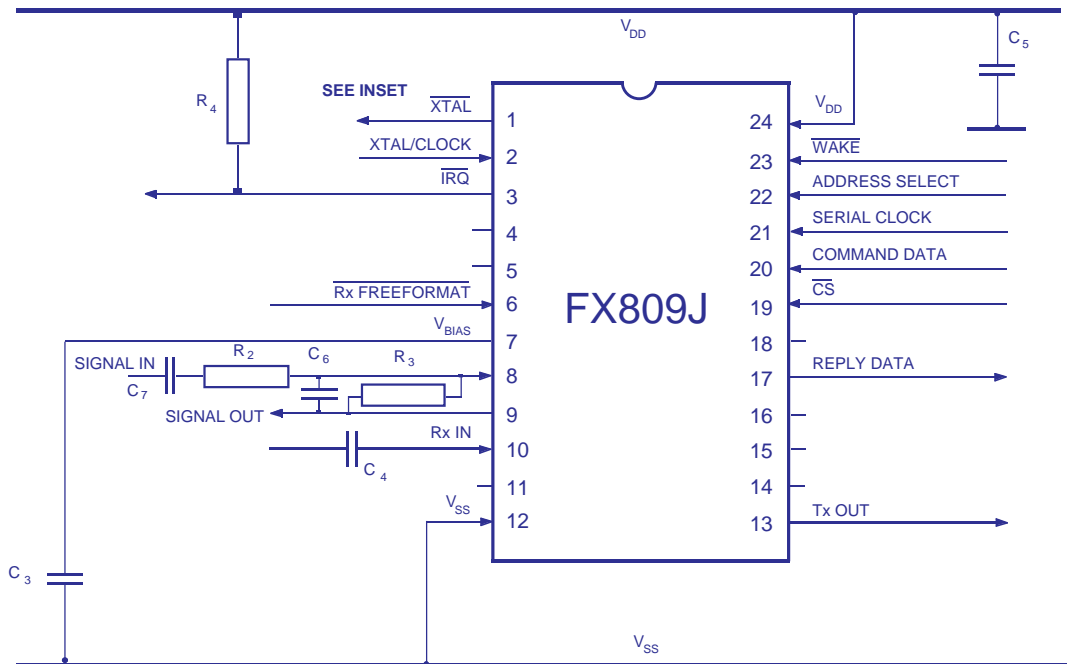
## Pin Number Function

FX809 J/LG/LS							
1	<p><b>Xtal:</b> The output of the on-chip clock oscillator. External components are required at this input when a Xtal input is used. See Figure 2, INSET.</p>						
2	<p><b>Xtal/Clock:</b> The input to the on-chip clock oscillator inverter. A Xtal or externally derived clock should be connected here. See Figure 2, INSET.</p>						
3	<p><b>Interrupt Request (IRQ):</b> The output of this pin indicates an interrupt condition to the <math>\mu</math>Controller, by going to a logic "0." This is a "wire-or able" output, enabling the connection of up to 8 peripherals to 1 interrupt port on the <math>\mu</math>Controller. This pin has a low-impedance pulldown to logic "0" when active and a high-impedance when inactive. The system IRQ line requires a 'pull-up' resistor to <math>V_{DD}</math>.</p> <p>The conditions that cause interrupts are indicated in the Status Register and are shown below:</p> <table data-bbox="496 685 1386 745"> <tr> <td>Tx Idle</td> <td>Rx Data Ready</td> <td>Tx Data Ready</td> </tr> <tr> <td>Rx SYNC Detect</td> <td></td> <td>Rx SYNC Detect</td> </tr> </table> <p>Interrupt outputs can be disabled by bit 3 of the Control Register.</p>	Tx Idle	Rx Data Ready	Tx Data Ready	Rx SYNC Detect		Rx SYNC Detect
Tx Idle	Rx Data Ready	Tx Data Ready					
Rx SYNC Detect		Rx SYNC Detect					
4	<p>No Internal connection.</p>						
5	<p>No Internal connection.</p>						
6	<p><b>Rx Freeformat:</b> Used in the Rx mode, this input, when a logic "0," allows received data to be read from the Rx Data Buffer via the Reply Data line without having to achieve byte synchronization (SYNC/SYNC) first. Data will continue to be available after this input goes to a logic "1" until either a SYNC or SYNC Prime bit is set or the the modem set to Tx mode. When held at a logic "1" the modem operates normally. This pin has an internal <math>1M\Omega</math> pullup resistor.</p> <p><b>NOTE:</b> If this input is held at a logic "0" in the Tx mode, the Rx Data Ready bit in the Status Register may occasionally be set, but not cause an interrupt. If this input is a logic "0" when going into the Rx mode, an Rx Data Ready interrupt may be generated immediately, in this case the first byte of Rx data should be ignored.</p>						
7	<p><b><math>V_{BIAS}</math>:</b> The internal circuitry bias line, held at <math>V_{DD}/2</math> this pin must be decoupled to <math>V_{SS}</math> by capacitor <math>C_3</math>, see Figure 2.</p>						
8	<p><b>Amp In:</b> The inverting input to the on-chip uncommitted amplifier .</p>						
9	<p><b>Amp Out:</b> The output of the on-chip uncommitted amplifier.</p>						
10	<p><b>Rx In:</b> The 1200 baud, 1200Hz/1800Hz, received FFSK signal input. The input signal to this pin must be a.c. coupled via capacitor <math>C_4</math>, see Figure 2.</p>						
11	<p>No Internal connection.</p>						
12	<p><b><math>V_{SS}</math>:</b> Negative Supply (GND).</p>						

## Pin Number    Function

FX809 J/LG/LS																
13	<p><b>Tx Out:</b> The 1200 baud, 1200Hz/1800Hz FFSK Tx output. When not transmitting data the output impedance of this pin is high. On power-up, this output can be any level, a General Reset command is required to ensure that this output attains <math>V_{BIAS}</math> initially.</p>															
14	No Internal connection.															
15	No Internal connection.															
16	No Internal connection.															
17	<p><b>Reply Data:</b> The "C-BUS", serial data output to the <math>\mu</math>Controller. The transmission of Reply Data bytes is synchronized to the Serial Clock under the control of the Chip Select input. This 3-state output is held at high impedance when not sending data to the <math>\mu</math>Controller. See Timing Diagrams and System Support Document, Document 2.</p>															
18	No Internal connection.															
19	<p><b>Chip Select (CS):</b> The "C-BUS" data loading control function, this input is provided by the <math>\mu</math>Controller. Data transfer sequences are initiated, completed or aborted by the CS signal. See Timing Diagrams and System Support Document, Document 2.</p>															
20	<p><b>Command Data:</b> The "C-BUS," serial data input from the <math>\mu</math>Controller. Data is loaded to this device in 8-bit bytes, MSB (B7) first, and LSB (B0) last, synchronized to the Serial Clock. See Timing Diagrams and System Support Document, Document 2.</p>															
21	<p><b>Serial Clock:</b> The "C-BUS," serial clock input. This clock, produced by the <math>\mu</math>Controller, is used for transfer timing of commands and data to and from the FFSK Modem. See Timing Diagrams and System Support Document, Document 2.</p>															
22	<p><b>Address Select:</b> This pin enables two FX809 devices to be used on the same "C-BUS," providing full-duplex operation. When at a logic "1" Address/Command bytes (with the exception of a General Reset) must have bit 3 set to a logic "1" to address this device. See Tables 1 and 2.</p>															
23	<p><b>Wake:</b> This input can be used to reactivate the FX809 from the 'Powersave' condition. The device will be in a 'Powersave' condition when both this pin and bit 2 of the Control Register are set to a logic "1." Recovery from Powersave is achieved by putting either the Wake pin or the Powersave bit in the Control Register to a logic "0." This allows FX809 activation by the <math>\mu</math>Controller or an external signal, such as R.S.S.I. or Carrier Detect.</p> <table border="1" data-bbox="475 1336 969 1484" style="margin-left: auto; margin-right: auto;"> <thead> <tr> <th style="text-align: center;">Powersave (CR bit 2)</th> <th style="text-align: center;">Wake</th> <th style="text-align: center;">FX809 Condition</th> </tr> </thead> <tbody> <tr> <td style="text-align: center;">1</td> <td style="text-align: center;">1</td> <td style="text-align: center;">Powersave</td> </tr> <tr> <td style="text-align: center;">0</td> <td style="text-align: center;">1</td> <td style="text-align: center;">Enabled</td> </tr> <tr> <td style="text-align: center;">1</td> <td style="text-align: center;">0</td> <td style="text-align: center;">Enabled</td> </tr> <tr> <td style="text-align: center;">0</td> <td style="text-align: center;">0</td> <td style="text-align: center;">Enabled</td> </tr> </tbody> </table>	Powersave (CR bit 2)	Wake	FX809 Condition	1	1	Powersave	0	1	Enabled	1	0	Enabled	0	0	Enabled
Powersave (CR bit 2)	Wake	FX809 Condition														
1	1	Powersave														
0	1	Enabled														
1	0	Enabled														
0	0	Enabled														
24	<p><math>V_{DD}</math>: Positive supply rail. A single +5-volt power supply is required. Levels and voltages within the FFSK Modem are dependant upon this supply.</p> <p><b>NOTE:</b> Pins 4, 5, 11, 14, 15, 16 and 18 may be connected to <math>V_{SS}</math> to improve screening.</p>															

# External Components



Component	Value
R <sub>1</sub>	= 1.0MΩ
R <sub>2</sub>	Note 1
R <sub>3</sub>	100kΩ
R <sub>4</sub>	22.0kΩ
C <sub>1</sub>	33.0pF
C <sub>2</sub>	33.0pF
C <sub>3</sub>	1.0μF
C <sub>4</sub>	0.1μF
C <sub>5</sub>	1.0μF
C <sub>6</sub>	33.0pF
C <sub>7</sub>	Note 1
X <sub>1</sub>	4.032MHz

**Note 1:**  
R<sub>2</sub>, R<sub>3</sub> and C<sub>7</sub> form the gain components for the signal; R<sub>3</sub> should be chosen as required by the signal input level.

Fig.2 External Components

Tolerance: R = ±10% C = ±20%

# Modem Performance

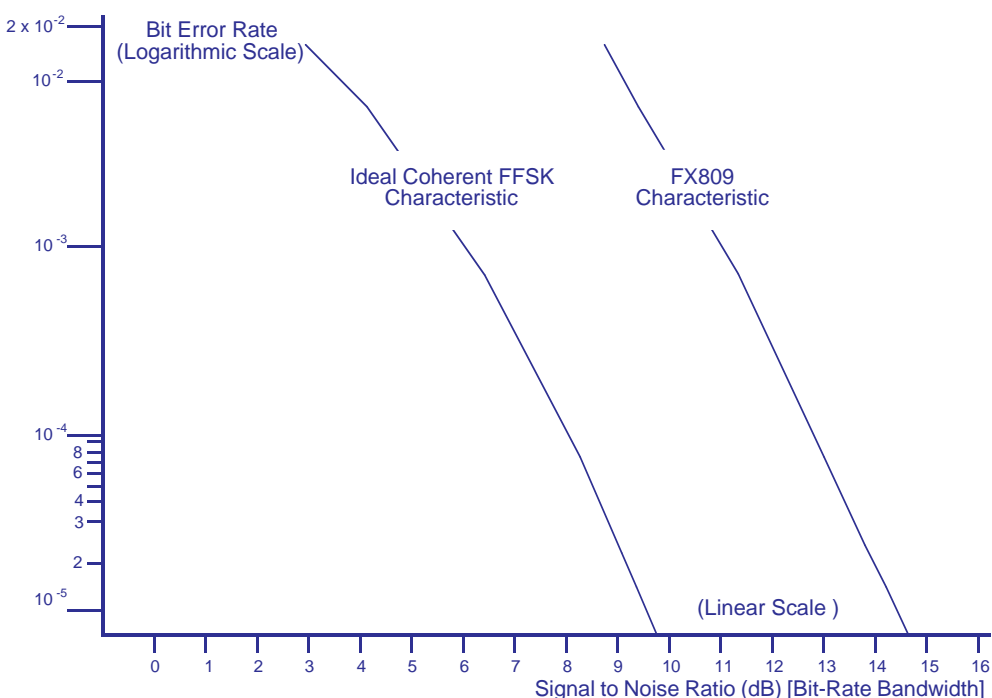


Fig.3 Bit Error Rate vs Signal-to-Noise Ratio

## Controlling Protocol

Control of the functions within the FX809 FFSK Modem is by a group of Address/Commands (A/Cs) and appended data to and from the system  $\mu$ Controller via "C-BUS." Provision is made to address 2 separate FFSK Modems. The use of these instructions is detailed in the following paragraphs and tables.

Command Assignment	Address/Command (A/C) Byte			Notes
	Hex	MSB	Binary LSB	
General Reset	01	0 0 0 0	0 0 0 1	Control Register bits set to logic "0"
Write to Control Register	40	0 1 0 0	0 0 0 0 +	1 byte instruction to Control Reg.
Read Status Register	41	0 1 0 0	0 0 0 1 +	1 byte reply from Status Reg.
Read Rx Data Buffer	42	0 1 0 0	0 0 1 0 +	1 byte of data from Rx Data Buffer
Write to Tx Data Buffer	43	0 1 0 0	0 0 1 1 +	1 byte of data to Tx Data Buffer
Write to SYNC Program	44	0 1 0 0	0 1 0 0 +	2 bytes of SYNC Word to SYNC Prog. Reg.

*Table 1 Modem No.1 "C-Bus" Address/Commands – (Address Select input at a logic "0")*

## Address/Commands

Instruction and data transactions to and from the FX809 consist of an Address/Command (A/C) byte followed by either:

- (i) a further instruction or data, or
- (ii) a Status or Rx data Reply.

Control and configuration is by writing instructions from the  $\mu$ Controller to the Control Register [40<sub>H</sub>, (48<sub>H</sub>)].

Reporting of FX809 configurations is by reading the Status Register [(41<sub>H</sub>, (49<sub>H</sub>)]. Instructions and data are transferred, via "C-BUS," in accordance with the timing information given in Figure 4.

Data for transmission as FFSK is sent to the Tx Data Buffer via the Command Data line. Received data is read from the Rx Data Buffer via the Reply Data line.

Instruction and data transactions to and from this device are preceded by the relevant Address/Command (A/C).

"C-BUS" allocations for the FX809 are shown in Tables 1 and 2.

A complete list of DBS 800 "C-BUS" Address/Command allocations is published in the System Support Document, Document 2.

Command Assignment	Address/Command (A/C) Byte			Notes
	Hex	MSB	Binary LSB	
General Reset	01	0 0 0 0	0 0 0 1	Control Register bits set to logic "0"
Write to Control Register	48	0 1 0 0	1 0 0 0 +	1 byte instruction to Control Reg.
Read Status Register	49	0 1 0 0	1 0 0 1 +	1 byte reply from Status Reg.
Read Rx Data Buffer	4A	0 1 0 0	1 0 1 0 +	1 byte of data from Rx Data Buffer
Write to Tx Data Buffer	4B	0 1 0 0	1 0 1 1 +	1 byte of data to Tx Data Buffer
Write to SYNC Program	4C	0 1 0 0	1 1 0 0 +	2 bytes of SYNC Word to SYNC Prog. Reg.

*Table 2 Modem No.2 "C-Bus" Address/Commands – (Address Select input at a logic "1")*

## Address Select

This input allows, using the correct addressing, 2 FFSK Modems on the same BUS.

When operating in a system employing 2 FFSK Modems, 1 FFSK Modem is designated No.1 and requires its Address Select input to be held at a logic "0", and the second FFSK Modem (No. 2) requires its Address Select input to be held at logic "1."

All "C-BUS" transactions with Modem 1 will use Address/Command allocations 40<sub>H</sub> to 44<sub>H</sub> (Table 1) and transactions with Modem 2 will use 48<sub>H</sub> to 4C<sub>H</sub> (Table 2).

For explanation purposes further descriptions in this publication of FX809 FFSK Modem internal register functions will deal primarily with FFSK Modem No. 1 (Address Select at logic "0").

## Controlling Protocol...

“Write to Control Register” This ‘Write Only’ register directs the modem's operation.

Setting	Control Bits
<b>MSB</b> <b>Bit 7</b>	<b>Transmitted First</b> Not used Set to "0"
<b>6</b>	Not used Set to "0"
<b>5</b>	<b>SYNC Prime</b>
<b>0</b>	Primed
<b>1</b>	Primed
<b>4</b>	<b>SYNC Prime</b>
<b>0</b>	Primed
<b>1</b>	Primed
<b>3</b>	<b>Interrupt Enable</b>
<b>0</b>	Disable
<b>1</b>	Enable
<b>2</b>	<b>Powersave</b>
<b>0</b>	Normal Operation
<b>1</b>	Powersave
<b>1</b>	<b>Checksum Enable</b>
<b>0</b>	Disable
<b>1</b>	Enable
<b>0</b>	<b>Rx/Tx Mode</b>
<b>0</b>	Rx
<b>1</b>	Tx

Table 3 Control Register

**SYNC Prime** When set, this bit enables SYNC Word detection.  
Cleared on a successful SYNC Word detection.

**SYNC Prime** When set, this bit enables SYNC Word detection.  
Cleared on a successful SYNC Word detection.

**Interrupt Enable** When set, this bit allows interrupts to be output by the FX809 on the IRQ line.

**Powersave** Used in conjunction with the Wake input (see Pin Functions) to control the Powersave state of the FX809.

**Checksum Enable** When set:

**In Tx:** a 2-byte checksum is generated and transmitted after every 6 bytes transmitted.

**In Rx:** After every 8 received bytes (6 information + 2 checksum) the checksum word is checked. If the checksum is correct, the Rx Checksum True bit in the Status Register is set to a logic "1."

When this bit is a logic "0" no checksums are generated or checked.

**NOTE:** Checksum operation is inhibited during the SYNC/SYNC search period.

### “Read Rx Data Buffer”

MSB							LSB
7	6	5	4	3	2	1	0
<b>Rx Data Buffer</b>							

### Rx Data Buffer

This “Read Only” register contains the last byte of data received from the Data Register. Received Bit 7 (MSB) first.

### “Write to Tx Data Buffer”

MSB							LSB
7	6	5	4	3	2	1	0
<b>Tx Data Buffer</b>							

### Tx Data Buffer

This “Write Only” register contains the next byte of data to be transmitted. Bit 7 (MSB) will be transmitted first.

### “Write to Sync Program”

MSB	Byte 1				Byte 0				LSB						
15	14	13	12	11	10	9	8	7	6	5	4	3	2	1	0
<b>SYNC High</b>								<b>SYNC Low</b>							

### SYNC Program

This “Write Only” register is loaded with the required Sync Word. This word (or its opposite logic sense, SYNC) is compared with the received synchronization word. If the required SYNC Word is less than 16 bits, the remaining bits must be programmed as preamble (10101010..etc.) bit 15 (MSB) is loaded first.

## Controlling Protocol...

“Read Status Register” This ‘Read Only’ register will indicate the source of FX809 interrupts ( $\overline{\text{IRQ}}$ 's).

Reading		Status Bits
<b>MSB</b>		<b>Received First</b>
<b>Bit 7</b>		Undefined
0		“0” or,
1		“1”
<b>6</b>		Undefined
0		“0” or,
1		“1”
<b>5</b>		<b>Rx SYNC Detect</b>
0		SYNC
1		
<b>4</b>		<b>Rx SYNC Detect</b>
0		SYNC
1		
<b>3</b>		<b>Tx Idle</b>
0		Idle
1		
<b>2</b>		<b>Tx Data Ready</b>
0		Tx Data Ready
1		
<b>1</b>		<b>Rx Checksum True</b>
0		True
1		
<b>0</b>		<b>Rx Data Ready</b>
0		Rx Data Ready
1		

Table 4 Status Register

### Rx Checksum True

Set and an Interrupt generated by successful comparison of the received and self generated checksums.

Cleared by (i) reading the Status Register and the Rx Data Buffer,  
(ii) Rx/Tx being taken to logic “1.”

### Rx SYNC Detect

Set and an Interrupt generated when the correct SYNC Word is detected (if SYNC Prime is set).

Cleared by (i) reading the Status Register,  
(ii) Setting Rx/Tx to logic “1.”

### Rx SYNC Detect

Set and an Interrupt generated when the correct SYNC Word is detected (if SYNC Prime is set).

Cleared by (i) reading the Status Register,  
(ii) Setting Rx/Tx to logic “1.”

### Tx Idle

Set and an Interrupt generated when all loaded Tx data and 1 ‘hang-bit’ have been transmitted.

Cleared by (i) writing to the Tx Data Buffer,  
(ii) Setting Rx/Tx to logic “0.”

### Tx Data Ready

Set and an Interrupt generated indicating that a byte of data should be written to the Tx Data Buffer.

Cleared by (i) reading the Status Register and writing a byte of data to the TX Data Buffer,  
(ii) Setting Rx/Tx to logic “0.”

### Rx Data Ready

Set and an Interrupt generated, indicating that the Rx Data Buffer is full, a byte of data is to be read from the Rx Data Buffer, this must be read within 8 bit periods.

Cleared by (i) reading the Status Register and the Rx Data Buffer,  
(ii) Setting Rx/Tx to logic “1.”

## Interrupt Requests ( $\overline{\text{IRQ}}$ )

The conditions that cause interrupts to be output (if enabled by the Control Register) from the FX809 are:

<b>Tx Idle</b>	<b>Rx Data Ready</b>
<b>Tx Data Ready</b>	<b>Rx SYNC Detect</b>
<b>Rx SYNC Detect</b>	

To ascertain the cause of the interrupt the Status Register should be read.

Interrupts are cleared:

- (i) by a read of the Status Register, or
- (ii) by changing the state of the Rx/Tx bit.

## General Reset

Upon Power-Up, the bits in the FX809 Modem registers and buffers will be random (either “0” or “1”). The General Reset command (01<sub>h</sub>) will “reset” all microcircuits on the “C-BUS” and has the following effect on the FX809:

All bits in the Control Register will be set to logic “0.”  
The Tx Out output will be set to  $V_{\text{BIAS}}$ .

**NOTE:** That the Status Register, Rx Data Buffer, Tx Data Buffer and Sync Program register are not affected by the General Reset command.

# "C-BUS" Timing Information

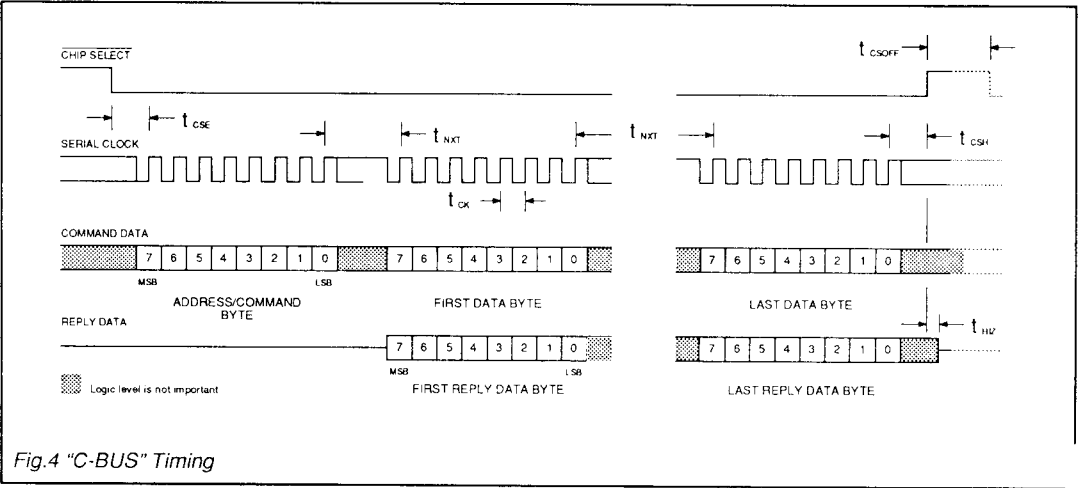


Fig.4 "C-BUS" Timing

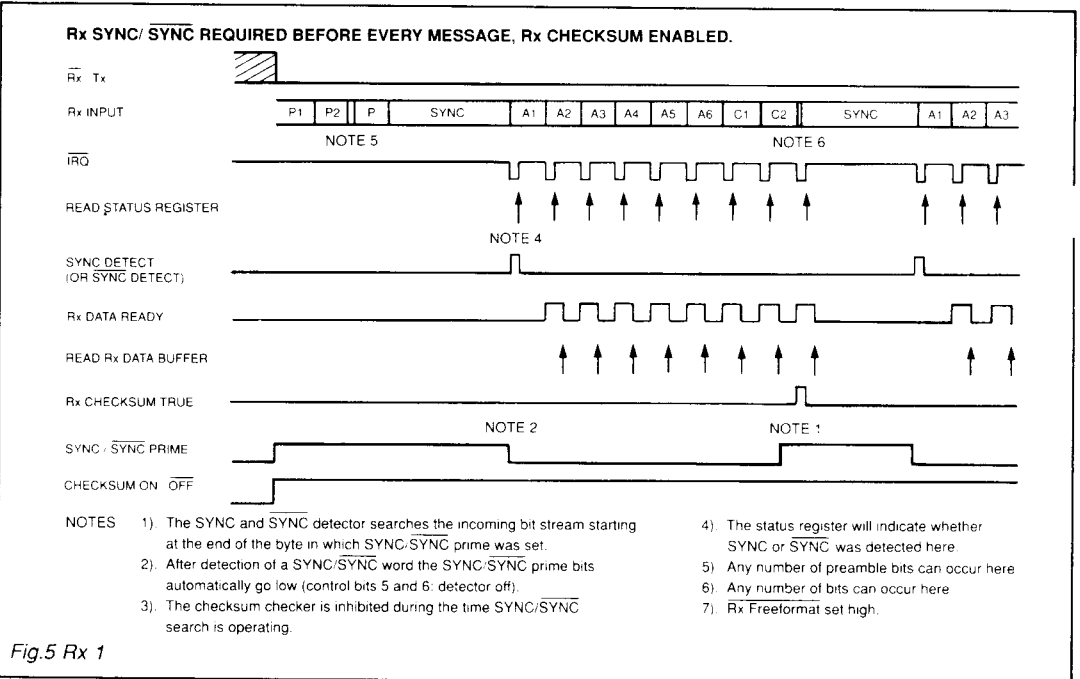
## "C-BUS" Timing – Figure 4

Parameter	Min.	Max.	Unit
$t_{CSE}$	2.0	—	$\mu$ S
$t_{CSH}$	4.0	—	$\mu$ S
$t_{HIZ}$	—	2.0	$\mu$ S
$t_{CSOFF}$	2.0	—	$\mu$ S
$t_{NXT}$	4.0	—	$\mu$ S
$t_{CK}$	2.0	—	$\mu$ S

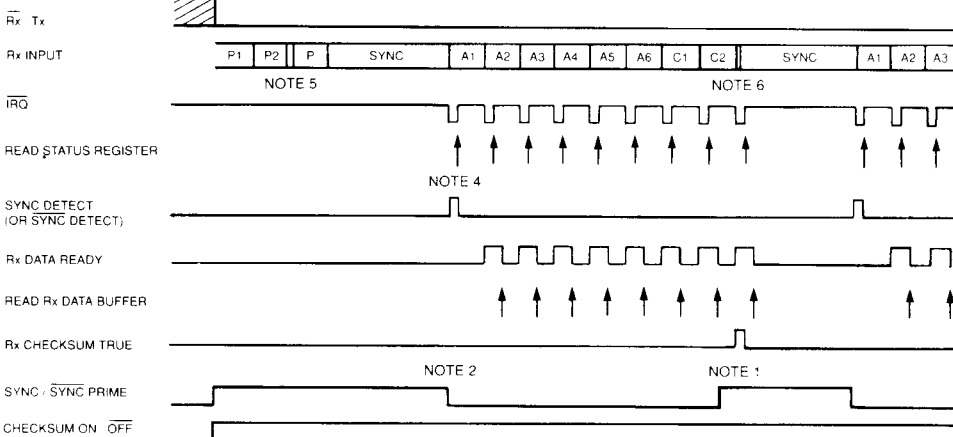
## Notes

- (1) Depending on the command, 1 or 2 bytes of Command Data is transmitted to the peripheral MSB (bit7) first, LSB (bit0) last. Reply Data is read from the peripheral MSB (bit7) first, LSB (bit0) last.
- (2) Data is clocked into and out of the peripheral on the rising Serial Clock edge.
- (3) Loaded commands are acted upon at the end of each command.
- (4) To allow for differing  $\mu$ Controller serial interface formats "C-BUS" compatible ICs are able to work with either polarity Serial Clock pulses.

# Modem Timing Information



**Rx SYNC/ SYNC REQUIRED BEFORE EVERY MESSAGE, Rx CHECKSUM ENABLED.**



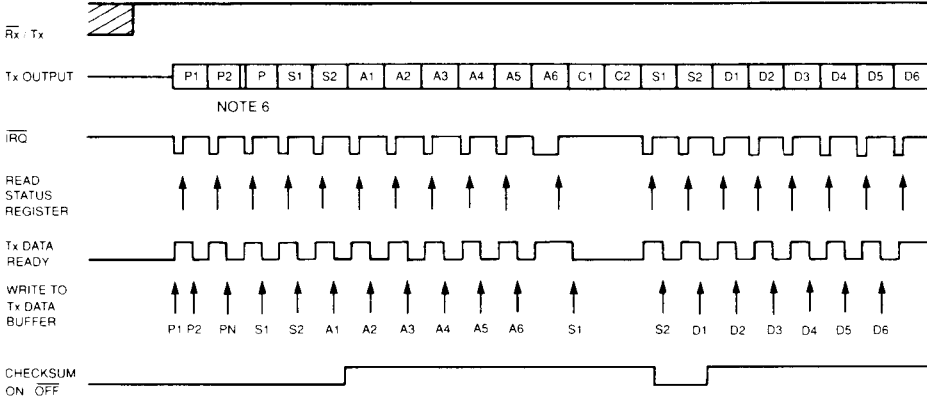
- NOTES
- 1). The SYNC and SYNC detector searches the incoming bit stream starting at the end of the byte in which SYNC-SYNC prime was set.
  - 2). After detection of a SYNC/SYNC word the SYNC/SYNC prime bits automatically go low (control bits 5 and 6: detector off).
  - 3). The checksum checker is inhibited during the time SYNC/SYNC search is operating.
  - 4). The status register will indicate whether SYNC or SYNC was detected here.
  - 5). Any number of preamble bits can occur here.
  - 6). Any number of bits can occur here.
  - 7). Rx Freeformat set high.

Fig.5 Rx 1



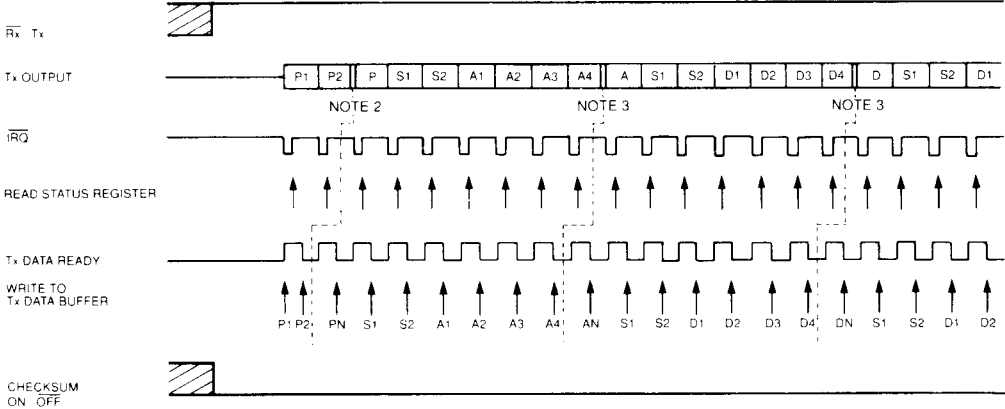
# Tx Timing Information

## (a) Tx MORE THAN ONE MESSAGE, SYNC BEFORE EVERY MESSAGE, Tx CHECKSUM ENABLED.



- NOTES
- 1). Preamble and SYNC bytes are loaded as data from the  $\mu$ C.
  - 2). The Tx output will be held at bias level when no data is being transmitted.
  - 3). Tx byte synchronisation is established by the loading of the first preamble byte from the  $\mu$ C.
  - 4). Checksum must be turned off during preamble and SYNC words.
  - 5). When  $\overline{Rx}/Tx$  is low Tx output is at bias.
  - 6). Any number of preamble bytes can occur here.

## (b) Tx MORE THAN ONE MESSAGE, Tx CHECKSUM NOT ENABLED.

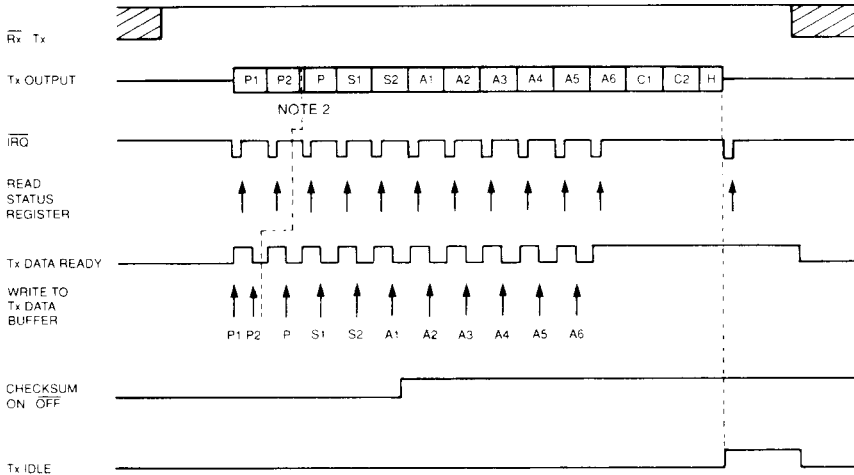


- NOTES
- 1). Preamble, SYNC words and checksums are supplied by the  $\mu$ C in this format as data bytes.
  - 2). Any number of preamble bytes can occur here.
  - 3). Any number of address/data bytes can occur here.

Fig.6 Tx Timing

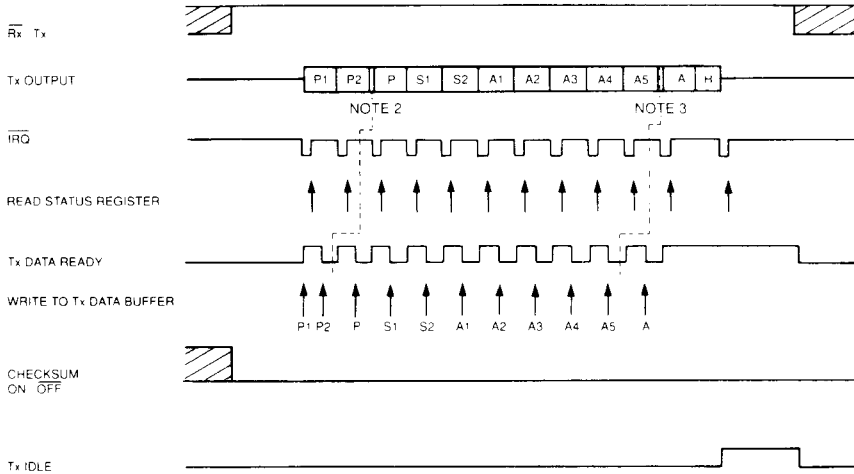
# Tx Timing Information ...

## (a) Tx ONE MESSAGE, Tx CHECKSUM ENABLED.



- NOTES
- 1). H is the "Hangover" bit (Logic 1) appended to the transmitted message before transmission is terminated.
  - 2). Any number of preamble bytes can occur here.
  - 3). Transmission terminates after C1, C2 and H. Termination occurs when no further data bytes are written to the Tx data buffer.

## (b) Tx ONE MESSAGE, Tx CHECKSUM NOT ENABLED.



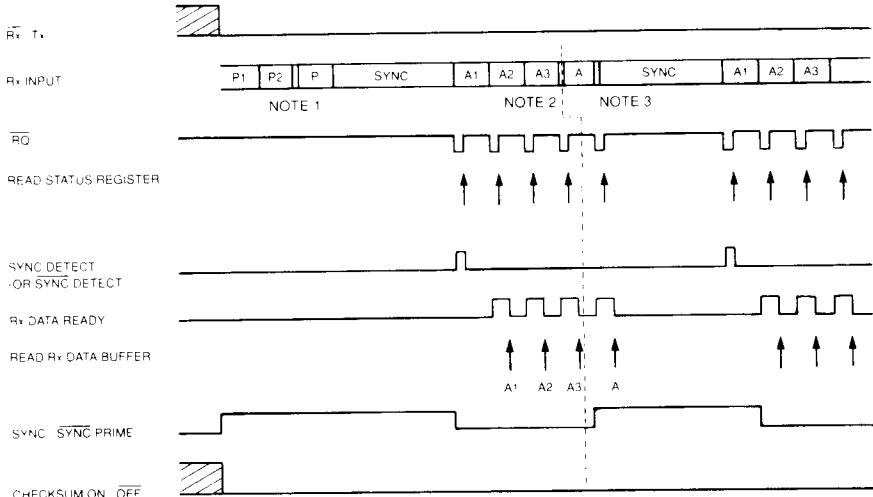
- NOTES
- 1). H is the "Hangover" bit (Logic 1) appended to the transmitted message before transmission is terminated.
  - 2). Any number of preamble bytes can occur here.
  - 3). Any number of address/data bytes can occur here.
  - 4). Transmission terminates when no more data bytes are loaded into the Tx data buffer.

- NOTES
- |                          |   |
|--------------------------|---|
| i). A - Address bytes    | v). P - Preamble bytes  |
| ii). C - Checksum bytes. | vi).  - Don't care state  |
| iii). D - Data bytes     | vii). Tx only - In Tx, Preamble and SYNC are loaded as data from the microcontroller. |
| iv). H - Hang bit.       |   |

Fig.7 Tx Timing

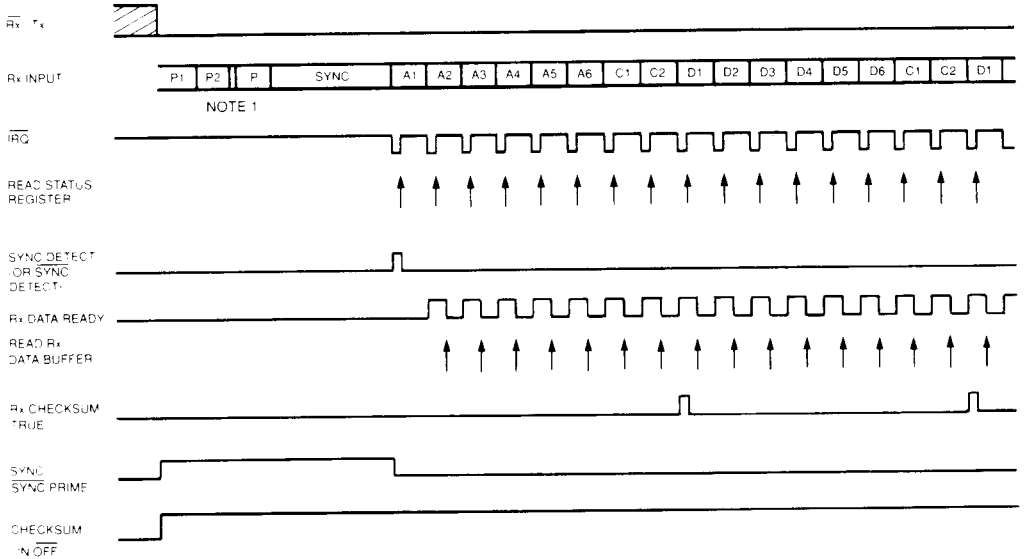
# Rx Timing Information

(a) Rx SYNC SYNC REQUIRED BEFORE EVERY MESSAGE, Rx CHECKSUM NOT ENABLED.



- NOTES
- 1) Any number of preamble bits can occur here.
  - 2) Any number of address-data bytes can occur here.
  - 3) Any number of bits can occur here.
  - 4) Rx Freeformat set high.

(b) RX ADDITIONAL DATA FOLLOWS INITIAL ADDRESS (6 DATA & 2 CHECKSUM BYTES) DATA, RX CHECKSUM ENABLED.



- NOTES
- 1) Any number of preamble bits can occur here.
  - 2) Rx Freeformat set high.

- NOTES
- i) A - Address bytes
  - ii) C - Checksum bytes
  - iii) D - Data bytes
  - iv) H - Hang bit
  - v) P - Preamble bytes
  - vi) - Don't care state
  - vii) Tx only - In Tx, Preamble and SYNC are loaded as data from the microcontroller

Fig.8 Rx Timing

## Specification

### Absolute Maximum Ratings

Exceeding the maximum rating can result in device damage. Operation of the device outside the operating limits is not implied.

Supply voltage	-0.3 to 7.0V
Input voltage at any pin (ref $V_{SS} = 0V$ )	-0.3 to ( $V_{DD} + 0.3V$ )
Sink/source current (supply pins)	+/- 30mA
(other pins)	+/- 20mA
Total device dissipation @ $T_{AMB} 25^{\circ}C$	800mW Max.
Derating	10mW/ $^{\circ}C$
Operating temperature range: <b>FX809J</b>	-40 $^{\circ}C$ to +85 $^{\circ}C$ (cerdip)
<b>FX809LG/LS</b>	-40 $^{\circ}C$ to +85 $^{\circ}C$ (plastic)
Storage temperature range: <b>FX809J</b>	-55 $^{\circ}C$ to +125 $^{\circ}C$ (cerdip)
<b>FX809LG/LS</b>	-40 $^{\circ}C$ to +85 $^{\circ}C$ (plastic)

### Operating Limits

All device characteristics are measured under the following conditions unless otherwise specified:

$V_{DD} = 5.0V$ .  $T_{AMB} = 25^{\circ}C$ . Xtal/Clock  $f_0 = 4.032MHz$ . Audio Level 0dB ref: = 308mVrms @ 1kHz.

Bit Rate = 1200bp/s.

Characteristics	See Note	Min.	Typ.	Max.	Unit
<b>Static Values</b>					
Supply Voltage		4.5	5.0	5.5	V
Supply Current					
Enabled		–	5.0	–	mA
Powersave		–	2.0	–	mA
<b>Dynamic Values</b>					
<b>Digital Interface</b>					
Input Logic "1"	1	3.5	–	–	V
Input Logic "0"	1	–	–	1.5	V
Output Logic "1" ( $I_{OH} = -120\mu A$ )	2	4.6	–	–	V
Output Logic "0" ( $I_{OL} = 360\mu A$ )	2, 3	–	–	0.4	V
Digital Input Current					
$V_{IN} =$ Logic "1" or "0"	1	–	–	1.0	$\mu A$
Digital Input Capacitance	1	–	–	7.5	pF
Tri-state "Off" Leakage Current	8	-4.0	–	4.0	$\mu A$
<b>Analogue Impedances</b>					
Rx Input		100	–	–	k $\Omega$
Tx Output					
Transmitting Data		–	6.0	10.0	k $\Omega$
Not Transmitting Data		–	1.0	–	M $\Omega$
<b>On-Chip Xtal Oscillator</b>					
$R_{IN}$		10.0	–	–	M $\Omega$
$R_{OUT}$		5.0	–	15.0	k $\Omega$
Gain		–	15.0	–	dB
Frequency	4	–	4.032	–	MHz
<b>Receiver</b>					
Signal Input Levels	5	-9.0	-2.0	10.5	dB
Bit Error Rate					
at 12dB SNR		–	7.0	–	$10^{-4}$
at 20dB SNR		–	1.0	–	$10^{-8}$
Synchronization at 12dB SNR	6				
Probability of Bit 8 being correct		–	99.0	–	%
Probability of Bit 16 beng correct		–	99.5	–	%

## Specification...

Characteristics	See Note	Min.	Typ.	Max.	Unit
<b>Dynamic Values .....</b>					
<b>Transmitter</b>					
Output Level		-	0	-	dB
Output Level Variation		-1.0	-	1.0	dB
Output Distortion		-	3.0	5.0	%
3rd Harmonic Distortion		-	2.0	3.0	%
Logic "1" Frequency	7	-	1200	-	Hz
Logic "0" Frequency	7	-	1800	-	Hz
Isochronous Distortion					
1200Hz – 1800Hz		-	25.0	40.0	µs
1800Hz – 1200Hz		-	20.0	40.0	µs
<b>Uncommitted Amplifier</b>					
Bandwidth		-	200	-	kHz
Gain		-	50.0	-	dB
Input Impedance		1.0	-	-	MΩ
Output Impedance		-	-	10.0	kΩ

### Notes

1. Device control pins; Serial Clock, Command Data, Wake and CS.
2. Reply Data output.
3. IRQ output.
4. For baud rate specified (1200 baud).
5. Signal-to-Noise Ratio = 50dB.
6. The response time is measured using a 10101010.....101 signal input pattern at 230mVrms (-2.5dB) with no noise.
7. Dependant upon Xtal tolerance.
8.  $\overline{\text{IRQ}}$  and Reply Data outputs, for  $V_{SS} < V_{OUT} < V_{DD}$ .

### Generation

The checksum generator takes the 48 bits from the 6 bytes loaded into the Tx Data Buffer and divides them modulo-2, by the generating polynomial:-

$$X^{15} + X^{14} + X^{13} + X^{11} + X^4 + X^2 + 1$$

It then takes the 15-bit remainder from the polynomial divider, inverts the last bit and appends an EVEN parity bit generated from the initial 48 bits and the 15 bit remainder (with the last bit inverted). This 16-bit word is used as the "Checksum."

### Checking

The checksum checker does two things:

It takes the first 63 bits of a received message, inverts bit 63, and divides them modulo-2, by the generating polynomial:-

$$X^{15} + X^{14} + X^{13} + X^{11} + X^4 + X^2 + 1$$

The 15 bits remaining in the polynomial divider are checked for all zero.

Secondly, it generates an EVEN parity bit from the first 63 bits of a received message and compares this bit with the received parity bit (bit 64).

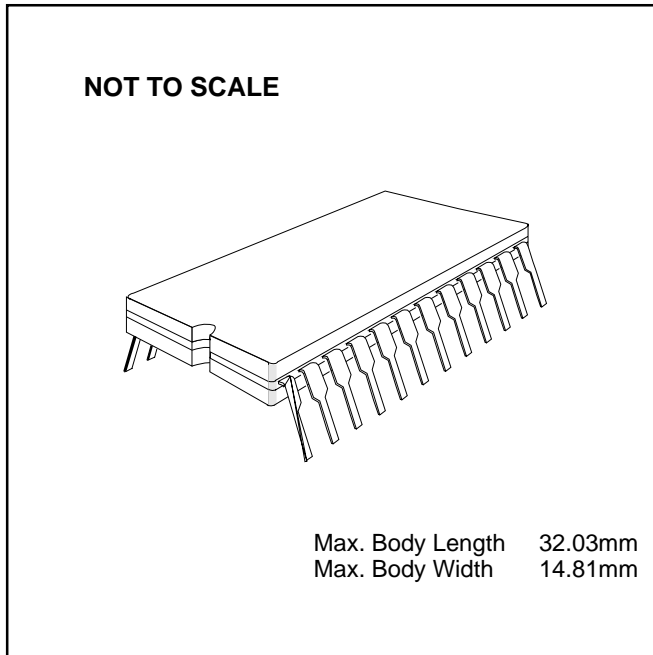
If the 15 bits in the polynomial divider are all zero, and the two parity bits are equal, then the Rx Checksum True bit (Status Register bit-1) is set.

## Package Outlines

The FX809 is available in the package styles outlined below. Mechanical package diagrams and specifications are detailed in Section 10 of this document.

Pin 1 identification marking is shown on the relevant diagram and pins on all package styles number anti-clockwise when viewed from the top.

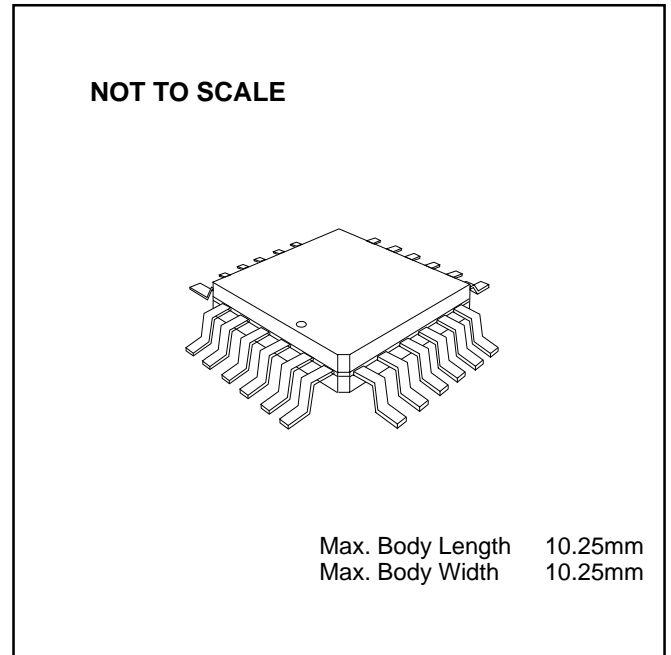
**FX809J** 24-pin cerdip DIL (J4)



## Handling Precautions

The FX809 is a CMOS LSI circuit which includes input protection. However precautions should be taken to prevent static discharges which may cause damage.

**FX809LG** 24-pin quad plastic encapsulated bent and cropped (L1)



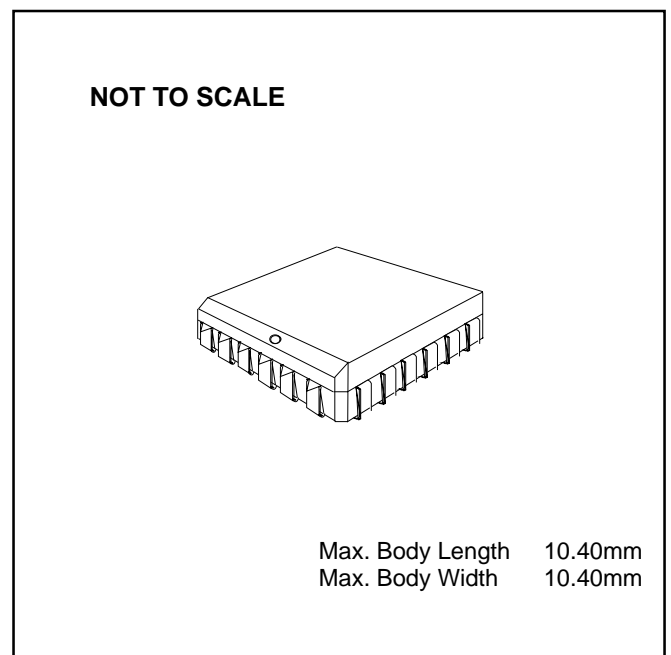
## Ordering Information

**FX809J** 24-pin cerdip DIL (J4)

**FX809LG** 24-pin encapsulated bent and cropped (L1)

**FX809LS** 24-lead plastic leaded chip carrier (L2)

**FX809LS** 24-lead plastic leaded chip carrier (L2)





**CML Microcircuits**

COMMUNICATION SEMICONDUCTORS

## CML Product Data

In the process of creating a more global image, the three standard product semiconductor companies of CML Microsystems Plc (*Consumer Microcircuits Limited (UK)*, *MX-COM, Inc (USA)* and *CML Microcircuits (Singapore) Pte Ltd*) have undergone name changes and, whilst maintaining their separate new names (*CML Microcircuits (UK) Ltd*, *CML Microcircuits (USA) Inc* and *CML Microcircuits (Singapore) Pte Ltd*), now operate under the single title **CML Microcircuits**.

These companies are all 100% owned operating companies of the CML Microsystems Plc Group and these changes are purely changes of name and do not change any underlying legal entities and hence will have no effect on any agreements or contacts currently in force.

### CML Microcircuits Product Prefix Codes

Until the latter part of 1996, the differentiator between products manufactured and sold from MXCOM, Inc. and Consumer Microcircuits Limited were denoted by the prefixes MX and FX respectively. These products use the same silicon etc. and today still carry the same prefixes. In the latter part of 1996, both companies adopted the common prefix: CMX.

This notification is relevant product information to which it is attached.

Company contact information is as below:



**CML Microcircuits  
(UK) Ltd**

COMMUNICATION SEMICONDUCTORS

Oval Park, Langford, Maldon,  
Essex, CM9 6WG, England  
Tel: +44 (0)1621 875500  
Fax: +44 (0)1621 875600  
uk.sales@cmlmicro.com  
www.cmlmicro.com



**CML Microcircuits  
(USA) Inc.**

COMMUNICATION SEMICONDUCTORS

4800 Bethania Station Road,  
Winston-Salem, NC 27105, USA  
Tel: +1 336 744 5050,  
0800 638 5577  
Fax: +1 336 744 5054  
us.sales@cmlmicro.com  
www.cmlmicro.com



**CML Microcircuits  
(Singapore) Pte Ltd**

COMMUNICATION SEMICONDUCTORS

No 2 Kallang Pudding Road, 09-05/  
06 Mactech Industrial Building,  
Singapore 349307  
Tel: +65 7450426  
Fax: +65 7452917  
sg.sales@cmlmicro.com  
www.cmlmicro.com