

DATA SHEET

OKI

ML54051

NAND Flash Memory Controller

PRELIMINARY

SECOND EDITION

ISSUE DATE : JAN. 1999

NOTICE

1. The information contained herein can change without notice owing to product and/or technical improvements. Before using the product, please make sure that the information being referred to is up-to-date.
2. The outline of action and examples for application circuits described herein have been chosen as an explanation for the standard action and performance of the product. When planning to use the product, please ensure that the external conditions are reflected in the actual circuit, assembly, and program designs.
3. When designing your product, please use our product below the specified maximum ratings and within the specified operating ranges including, but not limited to, operating voltage, power dissipation, and operating temperature.
4. Oki assumes no responsibility or liability whatsoever for any failure or unusual or unexpected operation resulting from misuse, neglect, improper installation, repair, alteration or accident, improper handling, or unusual physical or electrical stress including, but not limited to, exposure to parameters beyond the specified maximum ratings or operation outside the specified operating range.
5. Neither indemnity against nor license of a third party's industrial and intellectual property right, etc. is granted by us in connection with the use of the product and/or the information and drawings contained herein. No responsibility is assumed by us for any infringement of a third party's right which may result from the use thereof.
6. The products listed in this document are intended for use in general electronics equipment for commercial applications (e.g., office automation, communication equipment, measurement equipment, consumer electronics, etc.). These products are not authorized for use in any system or application that requires special or enhanced quality and reliability characteristics nor in any system or application where the failure of such system or application may result in the loss or damage of property, or death or injury to humans. Such applications include, but are not limited to, traffic and automotive equipment, safety devices, aerospace equipment, nuclear power control, medical equipment, and life-support systems.
7. Certain products in this document may need government approval before they can be exported to particular countries. The purchaser assumes the responsibility of determining the legality of export of these products and will take appropriate and necessary steps at their own expense for these.
8. No part of the contents contained herein may be reprinted or reproduced without our prior permission.
9. MS-DOS is a registered trademark of Microsoft Corporation.

Copyright 1999 Oki Electric Industry Co., Ltd.

Table of Contents

1. FEATURES	2
2. BLOCK DIAGRAM	2
3. PIN SPECIFICATIONS	3
3.1 Host Interface (PCMCIA)	3
3.2 NAND Flash Memory Interface	4
3.3 External SRAM Interface	5
3.4 Extended Bus Interface	5
3.5 Other Interfaces	5
3.6 Power Supply	6
3.7 Pin Totals	6
3.8 Pin Configuration	7
4. FUNCTIONS	8
5. SECTOR FORMATTER AND SEQUENCER	9
5.1 Data Formats	9
5.1.1 Data Format Within Sector	9
5.1.2 Data Format Within Port	10
5.1.3 Substitute Management Information Format	11
5.2 Write Sector Commands	12
5.2.1 Dual Port Control	12
5.2.2 Block Control	12
5.3 Substitute Processing (Defect Management)	13
5.3.1 Substitute Management Information Format Processing	13
5.3.1.1 Sector Management	13
5.3.1.2 Substitute Management Information Management	14
5.4 Generation of Substitute Management Information	14
5.5 Substitute Processing	15
5.6 Substitute Destination Detection Processing	16
6. ATA REGISTERS	17
6.1 Memory Mapped Configuration	17
6.2 I/O Mapped 16 Contiguous Registers Configuration	18
6.3 Primary I/O Mapped Configuration	18
6.4 Secondary I/O Mapped Configuration	19
6.5 True IDE Mapped Configuration	19
6.6 ATA Registers	20
6.6.1 Data Register (Write/Read)	20
6.6.2 Error Register (Read Only)	20
6.6.3 Feature Register (Write Only)	20
6.6.4 Sector Count Register (Write/Read)	20
6.6.5 Sector Number Register (Write/Read)	21
6.6.6 Cylinder Low Register (Write/Read)	21
6.6.7 Cylinder High Register (Write/Read)	21
6.6.8 Drive Head Register (Write/Read)	21
6.6.9 Status Register & Alternate Status Register (Read Only)	22
6.6.10 Device Control Register (Write Only)	22
6.6.11 Command Register (Write Only)	22

7. PCMCIA INTERFACE	23
7.1 ATA Commands (Standard).....	23
7.2 Commands for CompactFlash.....	24
7.3 Vendor-Unique Commands.....	24
7.4 Card Information Structure.....	24
7.5 Identify Information.....	24
7.6 Number of Installed Memory Chips and CHS Structure.....	25
7.7 Modes.....	27
7.7.1 Memory Mapped.....	27
7.7.2 I/O Mapped 16 Contiguous Registers.....	27
7.7.3 Primary I/O Mapped.....	27
7.7.4 Secondary I/O Mapped.....	27
7.7.5 True IDE.....	27
8. CHIP MODES	28
8.1 Types.....	28
8.2 Settings.....	28
8.3 Pin Assignment.....	28
9. ELECTRICAL CHARACTERISTICS	29
9.1 Absolute Maximum Ratings.....	29
9.2 Recommended Operating Conditions.....	29
9.3 DC Characteristics.....	29
10. BUS SPECIFICATIONS	30
10.1 I/O Mode.....	30
10.2 Bus Timing Specifications.....	30
10.3 Power ON/OFF, Reset, Busy Timing.....	30
11. PACKAGE DIMENSIONS	31
12. APPLICATION EXAMPLES	32

ML54051

NAND Flash Memory Controller

The ML54051 is a controller that integrates into a single chip a host interface that conforms to PCMCIA, an interface to a buffer used for data transfer, the necessary functions to control NAND memory, and a microcontroller.

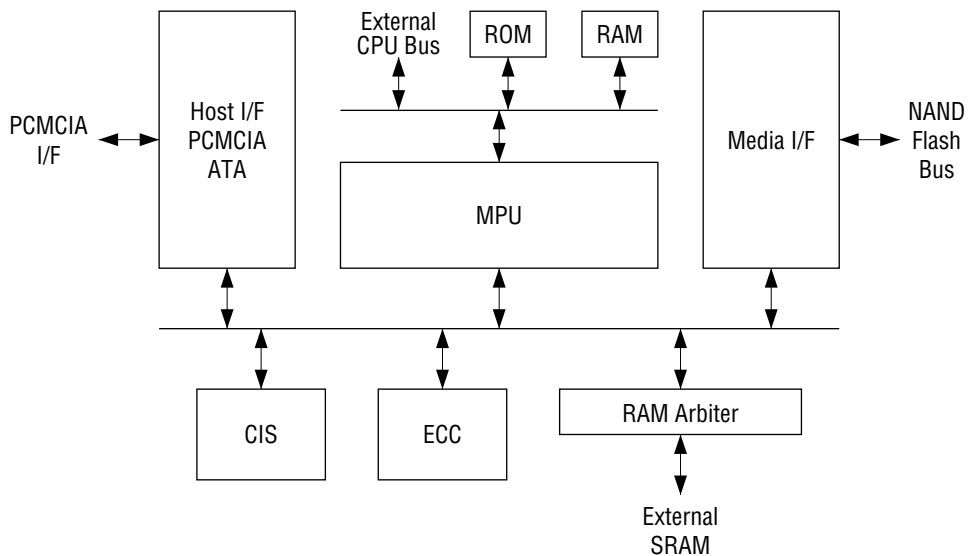
Internal 256 byte RAM is provided for storage of the card information structure (CIS). Also, 128KB of SRAM may be connected as a buffer for data transfer.

A maximum of 16 chips of 64 Mbit or larger NAND flash memory can be controlled when the chip is used as stand-alone. If a decoder circuit is externally added, a maximum of 64 chips can be controlled.

1. FEATURES

- Single chip controller with internal microcontroller (min. 4 cycles/instruction execution)
 - Operating voltage: 3.3 V, Interface voltage: 3.3 V/5 V
 - Internal 256B RAM for card information structure (CIS) storage
 - Conforms to PC card standard - PC card ATA specification
 - Auto-sleep mode support
 - True IDE Mode support
 - ECC system by BCH code (3-bit random error correction is possible for user data and ECC data)
 - Substitute control function (defect management function)
 - Debug mode support
 - External buffer (128KB SRAM) control is possible
 - High-speed operation via dual port bus control
 - Low power consumption due to single chip controller
 - Control of multiple NAND flash memories (64MB to 512MB) is possible
- Chip stand-alone : 16 pcs max.
 Chip and external decoder circuit : 64 pcs max.
 144-pin LQFP package (LQFP144-P-2020-0.50-K)

2. BLOCK DIAGRAM



3. PIN SPECIFICATIONS

Refer to Section 12, “Application Examples” for specific connection examples.

3.1 Host Interface (PCMCIA)

Signal Name	Type	Pin Count	Description
ha [10:0]	I	11	Address bus (A10 is MSB, A0 is LSB)
hd [15:0]	B	16	Data bus (D15 is MSB, D0 is LSB)
hcen [2:1]	I	2	Card enable signal (hcen1 controls even addresses and hcen2 controls odd addresses. The combination of ha0, hcen1 and hcen2 allows even/odd addresses to be accessed by hd[7:0].)
hiordn	I	1	I/O read signal (control signal to read data from ATA registers)
hiowrn	I	1	I/O write signal (control signal to write data to ATA registers)
hoen	I	1	Output enable signal
hwen	I	1	Write enable signal
hregn	I	1	Register select & I/O Enable signal
hirqn	O	1	Interrupt request signal (when the card is configured as an I/O card)
hstschgn	O	1	Card status change signal (signal to change the status of the configuration status register)
hinpackn	O	1	Input port acknowledge signal (acknowledge signal during I/O read)
hiois16n	O	1	16-bit address enable signal (when the card is configured as an I/O card, this signal indicates that 16-bit addresses are enabled)
hwaitn	O	1	Wait signal
hspkr	B	1	Audio digital waveform signal
hrst	I	1	Reset signal
hcseln	I/(O)	1	Cable select signal (used only in True IDE Mode, GND: Master, X: Slave)

Total 42 pins

* In an external CPU connection mode, hcseln functions as a control signal (xint) for the extended bus.

I: Input, O: Output, B: Bidirectional

3.2 NAND Flash Memory Interface

Signal Name	Type	Pin Count	Description
maio [7:0]	B	8	Port A I/O bus
macle	0	1	Port A command latch enable signal (signal to control latching of an operation command into a device)
maale	0	1	Port A address latch enable signal (signal to control latching of an address or input data into a device)
maren	0	1	Port A read enable signal
mawen	0	1	Port A write enable signal (signal to latch data into a device)
marbn	I	1	Port A ready/busy signal (signal to check internal status of device)
mbio [7:0]	B	8	Port B I/O bus
mbcle	0	1	Port B command latch enable signal (signal to control latching of an operation command into a device)
mbale	0	1	Port B address latch enable signal (signal to control latching of an address or input data into a device)
mbren	0	1	Port B read enable signal
mbwen	0	1	Port B write enable signal (signal to latch data into a device)
mbrbn	I	1	Port B ready/busy signal (signal to check internal status of device)
mctl	I	1	Chip enable signal mode select (mcen[7:0] control)
mcen [7:0]	0	8	Chip enable signals mct1 = 0 : Chip enable signal mct1 = 1 : Chip select and chip enable signals
mwpn	0	1	Write protect signal (signal to forcibly prohibit write and erase operations)

Total 36 pins

- * mcen[7:0] performs 2 types of operations depending upon the mctl signal.
If mctl = 0, mcen[7:0] functions as the chip enable signals.
If mctl = 1, mcen[5:1] functions as the chip select signals and mcen[0] functions as the chip enable signal.
In the latter case, mcen[5:1] and mcen[0] must be connected to an external decoder and mcen[7:6] are not used.
- * In an external CPU connection mode, mctl and mcen[7:6] function as control signals (xpsen, xrst, xclk, respectively) for the extended bus.

3.3 External SRAM Interface

Signal Name	Type	Pin Count	Description
ra [16:0]	0	17	Address bus for external SRAM
rd [7:0]	B	8	Data bus for external SRAM
rren	0	1	Read enable signal for external SRAM
rwen	0	1	Write enable signal for external SRAM
rcen	0	1	Chip enable signal for external SRAM

Total 28 pins

3.4 Extended Bus Interface

The extended bus interface is a signal line for the ML54051's internal microcontroller. The extended bus interface is used for purposes such as debugging.

Signal Name	Type	Pin Count	Description
xah [15:8]	B	8	Address bus for extended bus
xad [7:0]	B	8	Address/data bus for extended bus
xrd	B	1	Read signal for extended bus
xwr	B	1	Write signal for extended bus
xale	B	1	Address latch enable signal for extended bus
xpsen	I	(1)	Program store enable signal for extended bus
xint	0	(1)	Interrupt signal for extended bus
xrst	0	(1)	Reset signal for extended bus
xclk	0	(1)	Clock signal for extended bus

Total 19 pins

- * In an external ROM connection mode, xah, xad, xrd, xwr, and xale are used to connect to external ROM.

3.5 Other Interfaces

Signal Name	Type	Pin Count	Description
txd/pcfg [0]	B	1	Serial data I/O and chip mode setting
rxid/pcfg [1]	I	1	
porn	I	1	Power-on-reset signal (connect to power monitor circuit)
xin	I	1	Clock I/O (connect a crystal oscillator between xin and xout)
xout	0	1	

Total 5 pins

- * The chip mode is determined depending upon the status of pcfg[1:0] when the porn signal rises.
 - pcfg[1:0] = 11 : Normal mode
 - pcfg[1:0] = 01 : External CPU connection mode
 - pcfg[1:0] = 10 : External ROM connection mode
 - pcfg[1:0] = 00 : Test mode (normally not used)

3.6 Power Supply

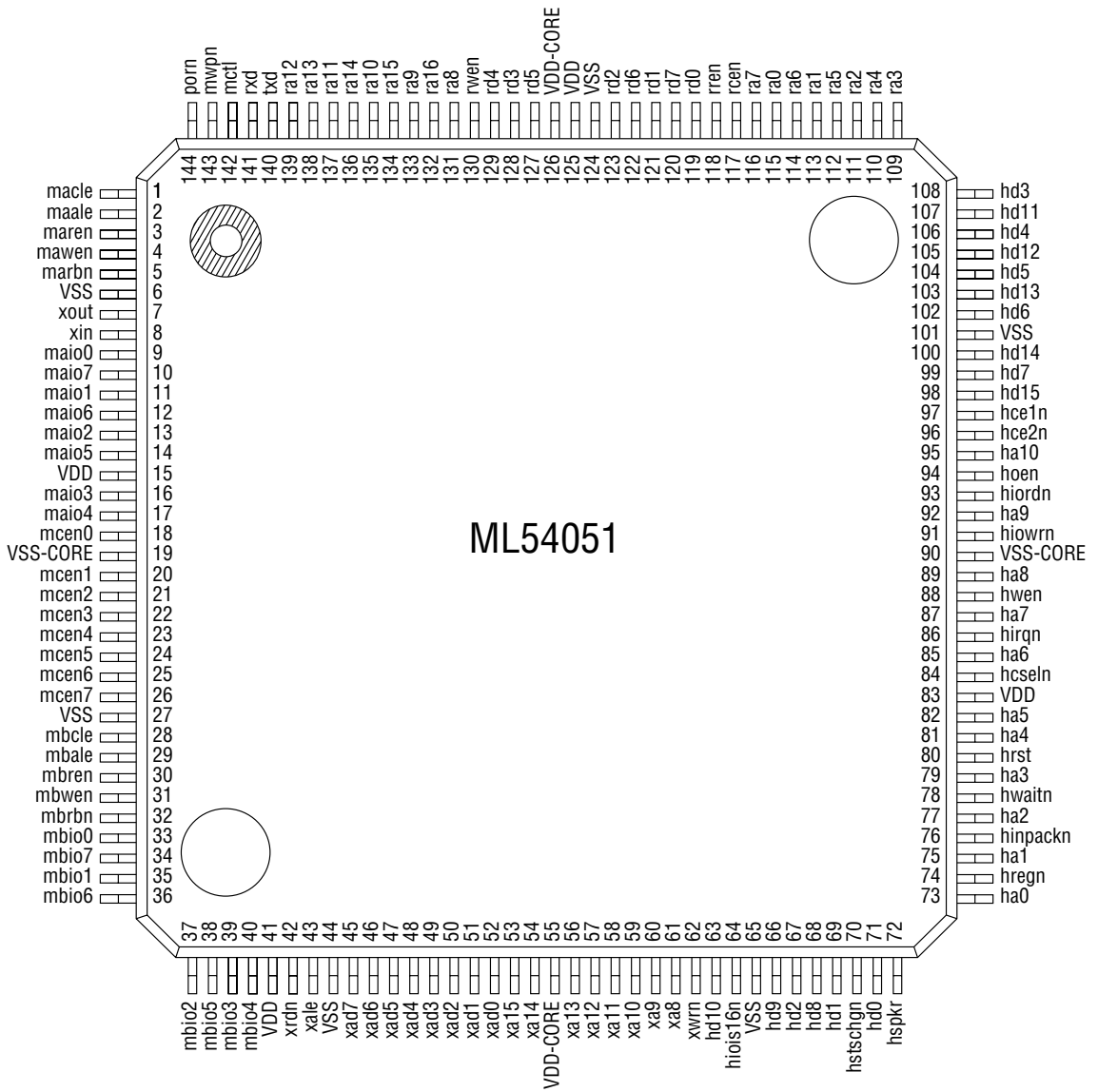
Signal Name	Type	Pin Count	Description
VDD-CORE	DC	2	Power supply for core
VSS-CORE	DC	2	
VDD	DC	4	Power supply for I/O pad
VSS	DC	6	

Total 14 pins

3.7 Pin Totals

Host Interface	42
NAND Flash Memory Interface	36
External SRAM Interface	28
Extended Bus Interface	19
Other Interfaces	5
Power Supply	14
Total	144

3.8 Pin Configuration



144-Pin Plastic LQFP

4. FUNCTIONS

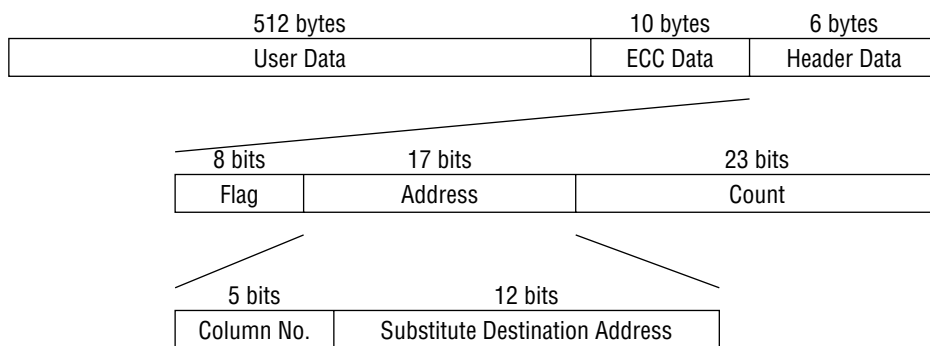
- (1) Sector Formatter and Sequencer
The sector formatter and sequencer control the logical format of the NAND flash memory and efficiently perform defect management (substitute processing).
- (2) PCMCIA Interface
The PCMCIA interface conforms to PCMCIA-ATA specification. Since True IDE Mode is also supported, the general usefulness of this interface is increased.
- (3) Chip Modes
An external ROM connection mode for the ML54051's internal microcontroller and an external CPU connection mode are supported. With these modes, evaluation can be performed efficiently.
- (4) Auto-Sleep Mode
If there is no access from the host over a specific period of time, operation automatically transfers to the sleep mode.
- (5) Dual Port Bus Control Mode
When erasing data or writing the same data, two port buses (Port A, Port B) can be utilized simultaneously for high-speed operation.

5. SECTOR FORMATTER AND SEQUENCER

5.1 Data Formats

5.1.1 Data Format Within Sector

User data, ECC data and Header data are stored at the top of the sector first. ECC data contains the ECC information for user data and ECC data. Since the same flag data is stored in all pages (sectors) within the same block, the validity of flag data of the specified page can be verified by comparing it to the flag data of another page. For this reason, ECC information is not provided for the header data.



Flag ... page (sector) status

- FFh: Good (normal data storage)
- F0h: Bad (uncorrectable error, before substitution)
- 0Fh: Change (substitution completed)
- Other than above: Null (abnormal)

Address ... block address (supports up to 4096 blocks: 512 Mbits)

- Column No. : supports up to column number 31 (00h to 1Fh)
- Substitute destination address: block address within spare area
- Supports up to 4096 blocks (512 Mbits)
- Value to be stored in substitute destination address, substitute source address
 - Normal data = block address
 - Substitute destination sector = substitute source address
 - Substitute source sector = substitute destination address

Count... number of writes (supports up to 8,388,607 writes)

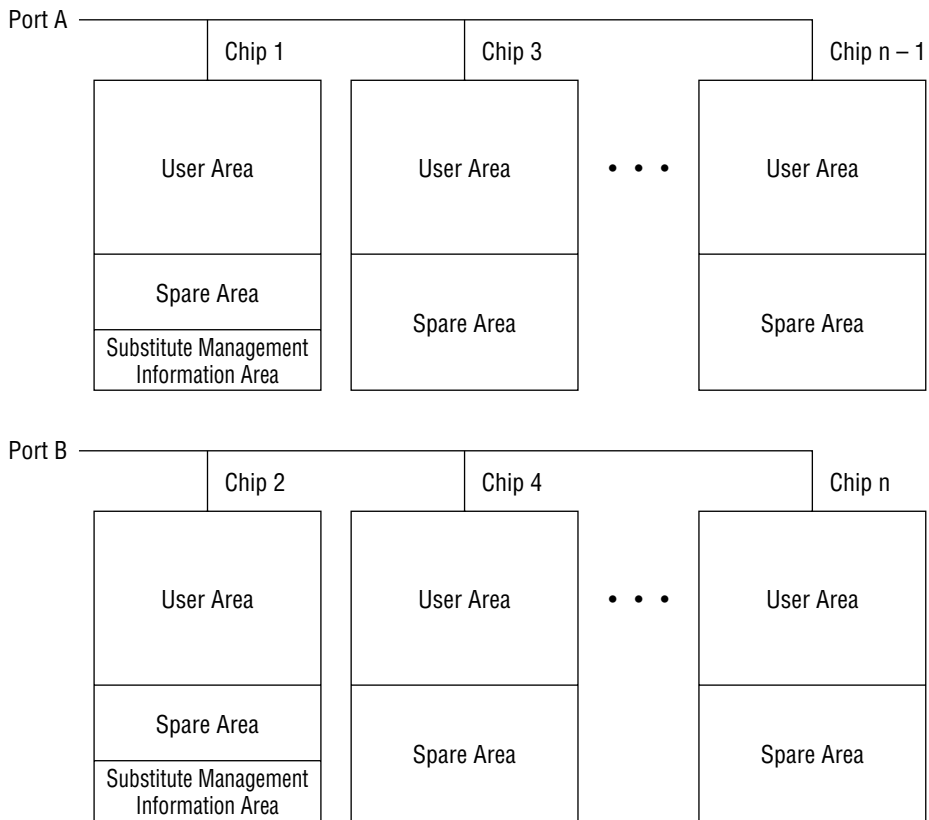
A substitute process is performed to a block that reaches the number of writes previously set.

5.1.2 Data Format Within Port

Each chip is partitioned into a user area to store user data, a spare area to transfer data in defective sectors, and a substitute management information area to keep sector transfer information. The port views this configuration as a single chip.

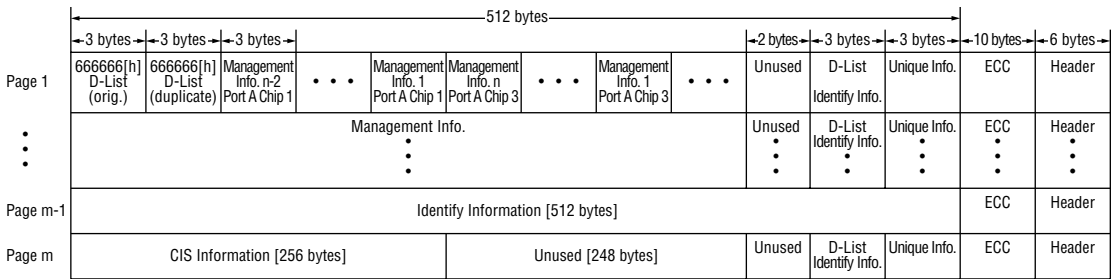
Substitute processing is performed in block units, not in sector units. If the process is performed in sector units, a single block will have data from various addresses at random, which delays the substitute processing.

A substitute management information is made per port; while a copy of substitute management information is reserved as a back-up.



5.1.3 Substitute Management Information Format

The location of management information itself specifies a substitute destination. And an original sector locations is identified by a column number and a block address to be stored in a management information. Please note that a substitute management information cannot be transferred to other chips.



- Management Information (3 bytes)
Stores substitute origin information

7 bits	5 bits	12 bits	
Blank	Column No.	Address of an original block to be substituted	Column No. : 0 to 31

The following values have unique meanings.

55 55 55 [h]	Reconstructed D-List Block Registered Position
66 66 66 [h]	Spare Block for D-List Use
0F 0F 0F [h]	Error Occurred D-List Block/Unusable Spare Block
FF FF FF [h]	Usable/Unused Spare Block

- D-List Identify Information (3 bytes)
Indicates that the sector is valid (fixed values: 4Fh, 4Bh, 49h)
- Unique Information (3 bytes)
During the low level format, stores total number of chips, chip number, and individual memory type information

1 byte	1 byte	1 byte
Total No. of Chips	Chip No.	Individual Memory Type Info.

Total No. of chips: The number of chips connected to the ML54051 (1 to 64)
 Chip No. : The chip number that contains the substitute management information (0 or 1)
 Individual memory type info. : Number of blocks per chip (4 bits) and number of pages per block (4 bits)

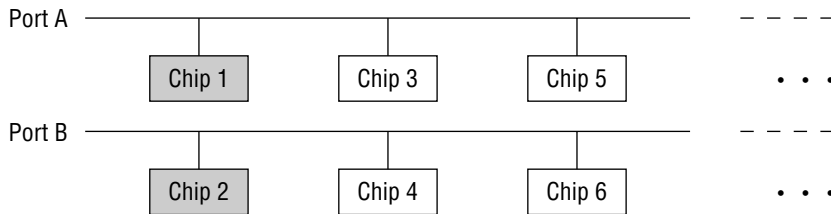
Memory Capacity	Number of Blocks Per Chip	Number of Pages Per Block
64 Mbit	1[h] (1024 Block)	0[h] (16 Page)
128 Mbit		1[h] (32 Page)
256 Mbit	2[h] (2048 Block)	
512 Mbit	4[h] (4096 Block)	

5.2 Write Sector Commands

Two methods are reserved for a faster access.

5.2.1 Dual Port Control

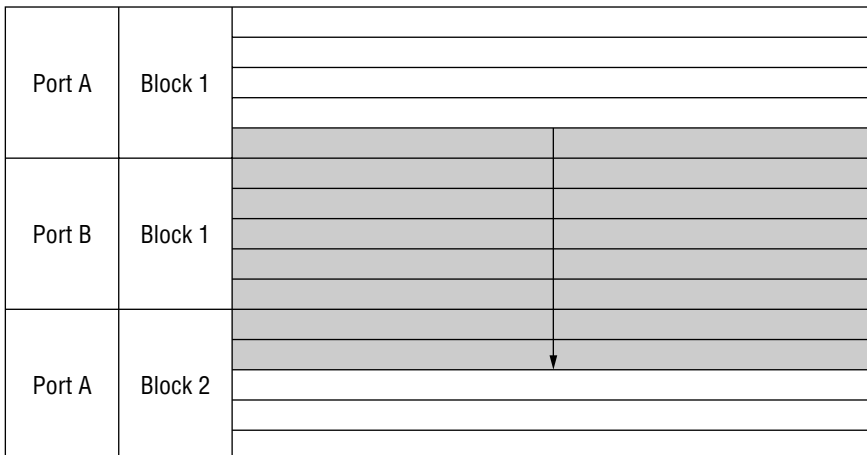
By controlling Port A and Port B independently, 2 chips can be accessed simultaneously when erasing data or writing the same data, which doubles the access time.



5.2.2 Block Control

When the host requests a write that includes Block 1 of Port B, if it is unnecessary to save the stored data, a block read will not be performed for the shaded section of the diagram below, which saves read time.

This is enabled by making use of NAND flash memory characteristics to erase data in a unit of a block.



5.3 Substitute Processing (Defect Management)

Substitute processing (defect management) is made through the following four processes in block units.

1. Substitute management information format processing : Information management of defective sector addresses, substitute destination addresses, etc.
2. Substitute management information generation processing : Generates substitute management information for entire card during low level format
3. Substitute processing : Replaces a defective sector with a normal sector
4. Substitute destination detection : Detects substitute destination of defective sector that was substituted

5.3.1 Substitute Management Information Format Processing

See section 5.1, "Data Formats", for the data formats of defective sector information and transfer destination information to be stored.

5.3.1.1 Sector Management

A header section is read before reading or writing data. A flag of a header section indicates if a sector is normal.

(1) User area

Flag	Read	Write
FFh	The specified sector is accessed.	The specified sector is accessed.
0Fh	The substitute destination obtained by substitute destination detection processing is accessed.	The substitute destination obtained by substitute destination detection processing is accessed.
F0h	An uncorrectable error (UNC) is returned and processing is aborted.	The substitute destination obtained by substitute processing is accessed.
Other values	The substitute destination is detected from the substitute management information and the substitute destination is accessed. If the substitute destination cannot be detected, a substitute processing error (DWF) is returned and processing is aborted.	The substitute destination is detected from the substitute management information and the substitute destination is accessed. If the substitute destination cannot be detected, the substitute destination obtained by substitute processing is accessed.

Note: Because the user area is controlled in block units, the flag values of all sectors are the same within a block.

(2) Spare area

Flag	Read	Write
FFh	The specified sector is accessed.	The specified sector is accessed.
0Fh	—	—
F0h	An uncorrectable error (UNC) is returned and processing is aborted.	The block is labeled as a BAD block. Substitute processing is performed again to change the substitute destination.
Other values	An uncorrectable error (UNC) is returned and processing is aborted.	The substitute destination is detected from the substitute management information and the substitute destination is accessed. If the substitute destination cannot be detected, the substitute destination obtained by substitute processing is accessed.

Note: The same flag control is performed in spare areas and user areas.

(3) D-List area

Flag	Read	Write
FFh	The specified sector is accessed.	The specified sector is accessed.
Other values	Substitute management information (duplicate) is used as the new substitute management information (original). Substitute management information (duplicate) is written to another block and used as new substitute management information (duplicate). When the Flag of the substitute management information (duplicate) is not equal to FFh, substitute management information is reconstructed.	Substitute management information (duplicate) is used as the new substitute management information (original). Substitute management information (duplicate) is written to another block and used as new substitute management information (duplicate). When the Flag of the substitute management information (duplicate) is not equal to FFh, substitute management information is reconstructed.

5.3.1.2 Substitute Management Information Management

In accordance with section 5.1.3, “Substitute Management Information Format”, substitute management information is arranged beginning at the rear of the spare area.

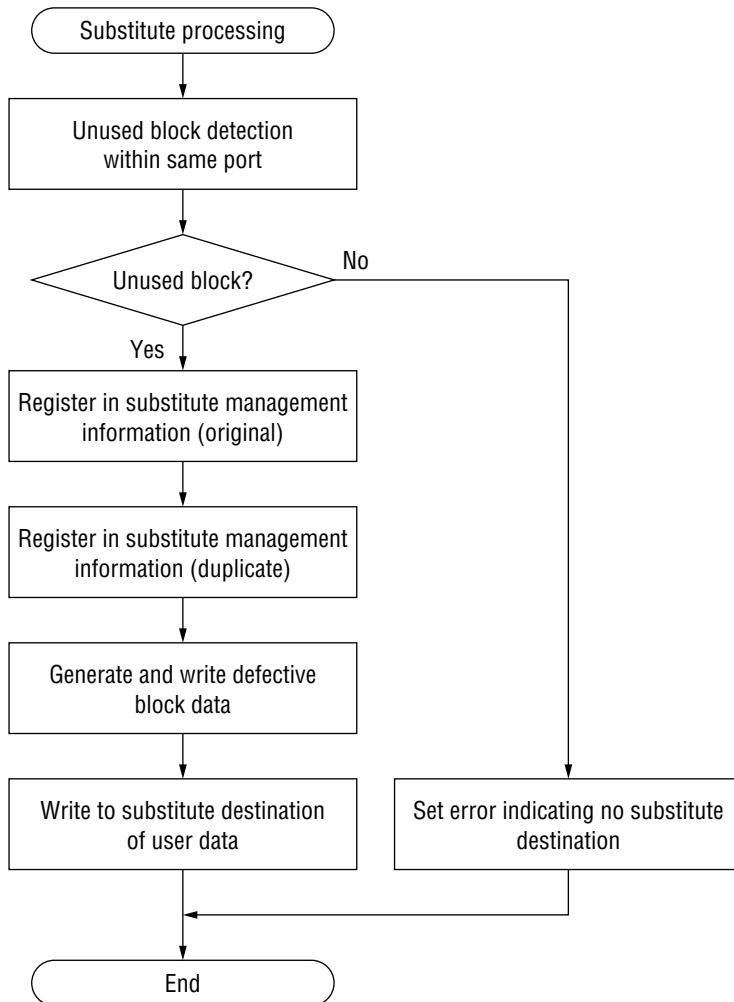
If two pieces of substitute management information cannot be read correctly, the substitute source is read from the address of the header section in each sector of a substituted block within the spare area, a substitute management information is reconstructed.

5.4 Generation of Substitute Management Information

Substitute management information is generated in all chips. An issue of Low Level Format command as one of the vendor-unique commands initiates a scanning on memories, and defective block locations in spare area and in user area are identified and substitute correspondance is registered as a default setting of a substitute management information.

5.5 Substitute Processing

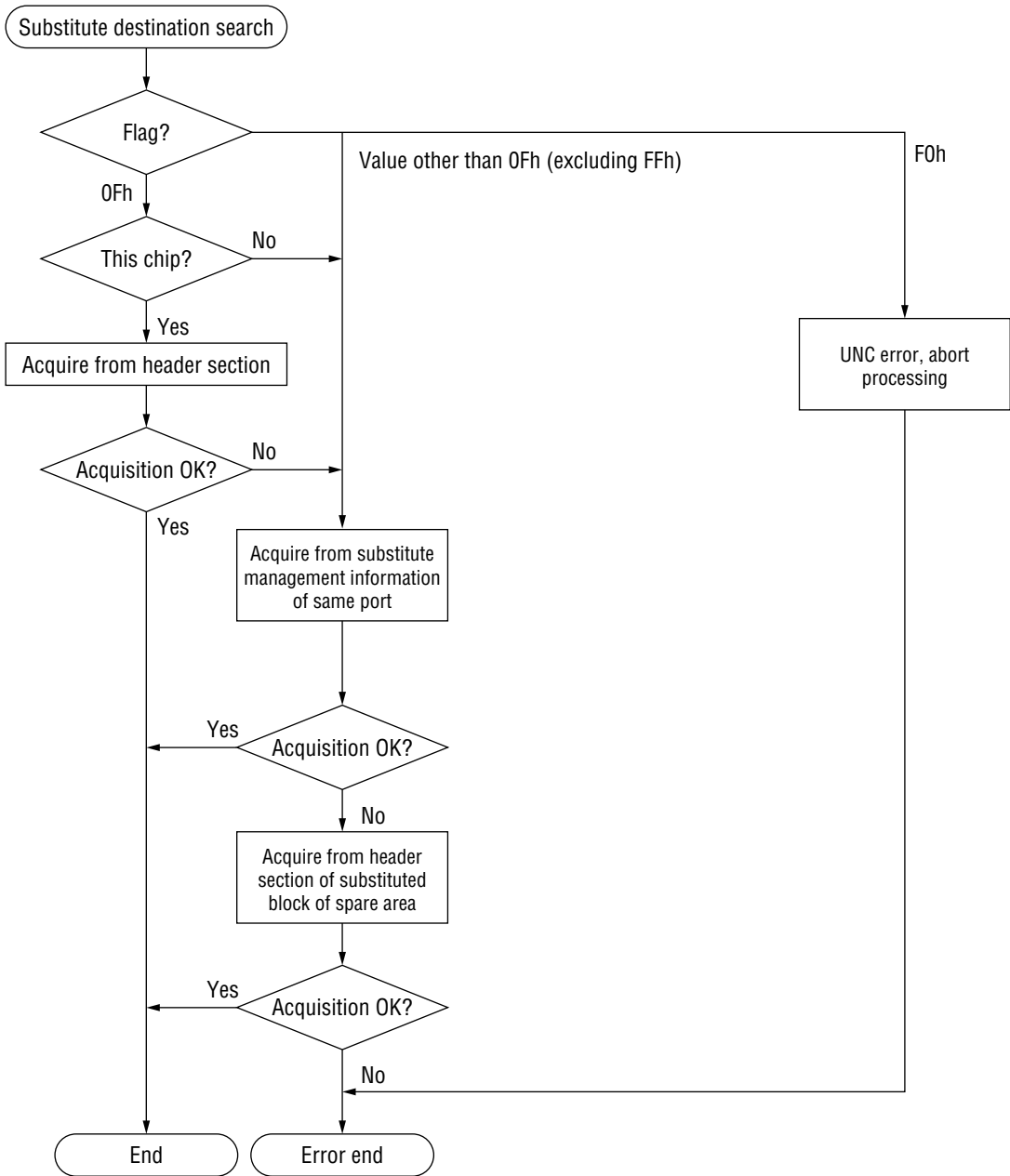
When a defective sector is found in a user area, the user area block containing the defective sector will be substituted with another normal block of the spare area.



Defective block data: Index to show a block contains a defective sector(s). This index is stored in the header section of a block.

5.6 Substitute Destination Detection Processing

If the sector accessed in the user area is defective and has already been substituted, the substitute destination is detected.



6. ATA REGISTERS

When a mode such as memory mode or I/O mode is configured, the host must use different addresses for access.

6.1 Memory Mapped Configuration

-CE1	-CE2	-REG	A10	A9-A4	A3-A0	Read (-OE = L)		Write (-WE = L)	
0	0	1	0	*	(000x)	16-bit Data	D15 : D0	16-bit Data	D15 : D0
0	1	1	0	*	0h	8-bit Data	D7 : D0	8-bit Data	D7 : D0
0	1	1	0	*	1h	Error	D7 : D0	Features	D7 : D0
1	0	1	0	*	(000x)	Error	D15 : D8	Features	D15 : D8
0	1	1	0	*	2h	Sector Count	D7 : D0	Sector Count	D7 : D0
0	1	1	0	*	3h	Sector Number	D7 : D0	Sector Number	D7 : D0
1	0	1	0	*	(001x)	Sector Number	D15 : D8	Sector Number	D15 : D8
0	1	1	0	*	4h	Cylinder Low	D7 : D0	Cylinder Low	D7 : D0
0	1	1	0	*	5h	Cylinder High	D7 : D0	Cylinder High	D7 : D0
1	0	1	0	*	(010x)	Cylinder High	D15 : D8	Cylinder High	D15 : D8
0	1	1	0	*	6h	Drive/Head	D7 : D0	Drive/Head	D7 : D0
0	1	1	0	*	7h	Status	D7 : D0	Command	D7 : D0
1	0	1	0	*	(011x)	Status	D15 : D8	Command	D15 : D8
0	0	1	0	*	(100x)	Duplicate Data	D15 : D0	Duplicate Data	D15 : D0
0	1	1	0	*	8h	Duplicate Even	D7 : D0	Duplicate Even	D7 : D0
0	1	1	0	*	9h	Duplicate Odd	D7 : D0	Duplicate Odd	D7 : D0
1	0	1	0	*	(100x)	Duplicate Odd	D15 : D8	Duplicate Odd	D15 : D8
0	1	1	0	*	Dh	Duplicate Error	D7 : D0	Duplicate Features	D7 : D0
1	0	1	0	*	(110x)	Duplicate Error	D15 : D8	Duplicate Features	D15 : D8
0	1	1	0	*	Eh	Alternate Status	D7 : D0	Device Control	D7 : D0
0	1	1	0	*	Fh	Drive Address	D7 : D0	Not Used	
1	0	1	0	*	(111x)	Drive Address	D15 : D8	Not Used	
0	0	1	1	*	*	16-bit Data	D15 : D0	16-bit Data	D15 : D0
0	1	1	1	*	(xxx0)	Even Data	D7 : D0	Even Data	D7 : D0
0	1	1	1	*	(xxx1)	Odd Data	D7 : D0	Odd Data	D7 : D0
1	0	1	1	*	*	Odd Data	D15 : D8	Odd Data	D15 : D8

* Don't care

6.2 I/O Mapped 16 Contiguous Registers Configuration

-CE1	-CE2	-REG	A9-A4	A3-A0	Read (-IORD = L)		Write (-IOWR = L)	
0	0	0	*	0h	16-bit Data	D15 : D0	16-bit Data	D15 : D0
0	1	0	*	0h	8-bit Data	D7 : D0	8-bit Data	D7 : D0
0	1	0	*	1h	Error	D7 : D0	Features	D7 : D0
1	0	0	*	(000x)	Error	D15 : D8	Features	D15 : D8
0	1	0	*	2h	Sector Count	D7 : D0	Sector Count	D7 : D0
0	1	0	*	3h	Sector Number	D7 : D0	Sector Number	D7 : D0
1	0	0	*	(001x)	Sector Number	D15 : D8	Sector Number	D15 : D8
0	1	0	*	4h	Cylinder Low	D7 : D0	Cylinder Low	D7 : D0
0	1	0	*	5h	Cylinder High	D7 : D0	Cylinder High	D7 : D0
1	0	0	*	(010x)	Cylinder High	D15 : D8	Cylinder High	D15 : D8
0	1	0	*	6h	Drive/Head	D7 : D0	Drive/Head	D7 : D0
0	1	0	*	7h	Status	D7 : D0	Command	D7 : D0
1	0	0	*	(011x)	Status	D15 : D8	Command	D15 : D8
0	0	0	*	8h	Duplicate Data	D15 : D0	Duplicate Data	D15 : D0
0	1	0	*	8h	Duplicate Even	D7 : D0	Duplicate Even	D7 : D0
0	1	0	*	9h	Duplicate Odd	D7 : D0	Duplicate Odd	D7 : D0
1	0	0	*	(100x)	Duplicate Odd	D15 : D8	Duplicate Odd	D15 : D8
0	1	0	*	Dh	Duplicate Error	D7 : D0	Duplicate Features	D7 : D0
1	0	0	*	(110x)	Duplicate Error	D15 : D8	Duplicate Features	D15 : D8
0	1	0	*	Eh	Alternate Status	D7 : D0	Device Control	D7 : D0
0	1	0	*	Fh	Drive Address	D7 : D0	Not Used	
1	0	0	*	(111x)	Drive Address	D15 : D8	Not Used	

* Don't care

6.3 Primary I/O Mapped Configuration

-CE1	-CE2	-REG	A9-A0	Read (-IORD = L)		Write (-IOWR = L)	
0	0	0	1F0h	16-bit Data	D15 : D0	16-bit Data	D15 : D0
0	1	0	1F0h	8-bit Data	D7 : D0	8-bit Data	D7 : D0
0	1	0	1F1h	Error	D7 : D0	Features	D7 : D0
1	0	0	1F0h/1F1h	Error	D15 : D8	Features	D15 : D8
0	1	0	1F2h	Sector Count	D7 : D0	Sector Count	D7 : D0
0	1	0	1F3h	Sector Number	D7 : D0	Sector Number	D7 : D0
1	0	0	1F2h/1F3h	Sector Number	D15 : D8	Sector Number	D15 : D8
0	1	0	1F4h	Cylinder Low	D7 : D0	Cylinder Low	D7 : D0
0	1	0	1F5h	Cylinder High	D7 : D0	Cylinder High	D7 : D0
1	0	0	1F4h/1F5h	Cylinder High	D15 : D8	Cylinder High	D15 : D8
0	1	0	1F6h	Drive/Head	D7 : D0	Drive/Head	D7 : D0
0	1	0	1F7h	Status	D7 : D0	Command	D7 : D0
1	0	0	1F6h/1F7h	Status	D15 : D8	Command	D15 : D8
0	1	0	3F6h	Alternate Status	D7 : D0	Device Control	D7 : D0
0	1	0	3F7h	Drive Address	D7 : D0	Not Used	
1	0	0	3F6h/3F7h	Drive Address	D15 : D8	Not Used	

6.4 Secondary I/O Mapped Configuration

-CE1	-CE2	-REG	A9-A0	Read (-IORD = L)		Write (-IOWR = L)	
0	0	0	170h	16-bit Data	D15 : D0	16-bit Data	D15 : D0
0	1	0	170h	8-bit Data	D7 : D0	8-bit Data	D7 : D0
0	1	0	171h	Error	D7 : D0	Features	D7 : D0
1	0	0	170h/171h	Error	D15 : D8	Features	D15 : D8
0	1	0	172h	Sector Count	D7 : D0	Sector Count	D7 : D0
0	1	0	173h	Sector Number	D7 : D0	Sector Number	D7 : D0
1	0	0	172h/173h	Sector Number	D15 : D8	Sector Number	D15 : D8
0	1	0	174h	Cylinder Low	D7 : D0	Cylinder Low	D7 : D0
0	1	0	175h	Cylinder High	D7 : D0	Cylinder High	D7 : D0
1	0	0	174h/175h	Cylinder High	D15 : D8	Cylinder High	D15 : D8
0	1	0	176h	Drive/Head	D7 : D0	Drive/Head	D7 : D0
0	1	0	177h	Status	D7 : D0	Command	D7 : D0
1	0	0	176h/177h	Status	D15 : D8	Command	D15 : D8
0	1	0	376h	Alternate Status	D7 : D0	Device Control	D7 : D0
0	1	0	377h	Drive Address	D7 : D0	Not Used	
1	0	0	376h/377h	Drive Address	D15 : D8	Not Used	

6.5 True IDE Mapped Configuration

• Command Block Register

-CE1	-CE2	-REG	A9-A3	A2-A0	Read (-IORD = L)		Write (-IOWR = L)	
0	1	0	*	0h	16-bit Data	D15 : D0	16-bit Data	D15 : D0
0	1	0	*	1h	Error	D7 : D0	Features	D7 : D0
0	1	0	*	2h	Sector Count	D7 : D0	Sector Count	D7 : D0
0	1	0	*	3h	Sector Number	D7 : D0	Sector Number	D7 : D0
0	1	0	*	4h	Cylinder Low	D7 : D0	Cylinder Low	D7 : D0
0	1	0	*	5h	Cylinder High	D7 : D0	Cylinder High	D7 : D0
0	1	0	*	6h	Drive/Head	D7 : D0	Drive/Head	D7 : D0
0	1	0	*	7h	Status	D7 : D0	Command	D7 : D0
0	0	0	*	(xxx)	Not Used		Not Used	

* Don't care

• Control Block Register

-CE1	-CE2	-REG	A9-A3	A2-A0	Read (-IORD = L)		Write (-IOWR = L)	
1	1	0	*	(xxx)	High Impedance		Not Used	
1	0	0	*	(0xx)	High Impedance		Not Used	
1	0	0	*	(10x)	High Impedance		Not Used	
1	0	0	*	6h	Alternate Status	D17 : D0	Device Control	D7 : D0
1	0	0	*	7h	Drive Address	D7 : D0	Not Used	

* Don't care

6.6 ATA Registers

ATA registers realize functions of the PC Card ATA Specifications.

6.6.1 Data Register (Write/Read)

This 16-bit or 8-bit register is used in the transfer of data blocks between the internal data buffer and the host. Data can be transferred via consecutive 16-bit or 8-bit accesses to the data register.

6.6.2 Error Register (Read Only)

Additional information regarding the cause of a processing error in the previously executed command is indicated. If the error bit of the status register has been set, the host must examine this register.

D7	D6	D5	D4	D3	D2	D1	D0
BBK	UNC	0	IDNF	0	ABRT	0	AMNF

BBK : This bit is set when a Bad Block is detected.

UNC : This bit is set when an Uncorrectable Error is encountered.

IDNF : The requested sector ID is in error or cannot be found.

ABRT : This bit is set if the command has been aborted or when an invalid command has been issued.

AMNF: This bit is set in case of a general error.

6.6.3 Feature Register (Write Only)

This register is used to write information related to commands.

D7	D6	D5	D4	D3	D2	D1	D0
Feature Bytes							

6.6.4 Sector Count Register (Write/Read)

This register is used to specify the number of sectors or address of logical blocks to be processed by a command. By reading this register after a command has been completed, the host can check the number of sectors not processed by the command.

D7	D6	D5	D4	D3	D2	D1	D0
Sector Count							

6.6.5 Sector Number Register (Write/Read)

This register is used to specify the sector number or logical block address where processing by the command will begin. By reading this register after a command has been completed, the host can check the sector number or logical block address processed by the command.

D7	D6	D5	D4	D3	D2	D1	D0
Sector Number/LBA7-LBA0							

6.6.6 Cylinder Low Register (Write/Read)

This register is used to specify the lower cylinder number or the logical block address where processing by the command will begin. By reading this register after a command has been completed, the host can check the last lower cylinder number or logical block address that was processed by the command.

D7	D6	D5	D4	D3	D2	D1	D0
Cylinder Low/LBA15-LBA8							

6.6.7 Cylinder High Register (Write/Read)

This register is used to specify the upper cylinder number or the logical block address where processing by the command will begin. By reading this register after a command has been completed, the host can check the last upper cylinder number or logical block address that was processed by the command.

D7	D6	D5	D4	D3	D2	D1	D0
Cylinder High/LBA23-LBA16							

6.6.8 Drive Head Register (Write/Read)

This register is used to specify the head number or the logical block address where processing by the command will begin. By reading this register after a command has been completed, the host can check the last upper head number or logical block address that was processed by the command.

D7	D6	D5	D4	D3	D2	D1	D0
1	LBA	1	DRV#	HS3/LBA27	HS2/LBA26	HS1/LBA25	HS0/LBA24

LBA: 1: LBA (logical block address) mode
 0: CHS address mode

DRV#: card number 0: drive 0 is selected
 1: drive 1 is selected

If the value of the Drive# bit of the socket copy register matches the value of this bit, this controller will execute the command.

6.6.9 Status Register & Alternate Status Register (Read Only)

This register indicates the internal status of the controller. When the host reads this register, the controller clears pending interrupt requests. However, even if the alternate status register is read, interrupts requests will not be cleared.

D7	D6	D5	D4	D3	D2	D1	D0
BUSY	RDY	DWF	DSC	DRQ	CORR	IDX	ERR

- BUSY: This bit is set in the following cases:
 - from the time when the host writes a command to the command register until processing of the command is completed
 - when hardware and software resets have been executed from the host
- RDY: This bit indicates Drive Ready.
- DWF: This bit is set when an error related to substitute processing occurs during access to the internal flash memory. If this bit is set, commands that follow may not execute properly.
- DSC: This bit is always set to 1.
- DRQ: During execution of a command that involves data transfer, this bit is set once the transfer preparations are made.
- CORR: This bit indicates that a correctable error has occurred during access to flash memory.
- IDX: This bit is always set to 0.
- ERR: This bit is set when an error occurs during command execution. Detailed information is set in the error register.

6.6.10 Device Control Register (Write Only)

This register is used to control interrupt requests from the card and to specify software reset.

D7	D6	D5	D4	D3	D2	D1	D0
		X		1	SRST	-IEN	0

- SRST: While this bit is 1, the controller is in the reset state.
- IEN: 1: Interrupt signal mask, 0: Interrupt signal non-mask

6.6.11 Command Register (Write Only)

This register is used to set the command code.

D7	D6	D5	D4	D3	D2	D1	D0
Command Code							

7. PCMCIA INTERFACE

7.1 ATA Commands (Standard)

Supported ATA commands are listed below.

Command	Code	FR	SC	SN	CY	DH	C/R/W
Check Power Mode	98h, E5h	—	—	—	—	○	C
Execute Drive Diagnostic	90h	—	—	—	—	○	C
Format Track	50h	—	○	—	○	○	W
Identify Drive	ECh	—	—	—	—	○	R
Idle	97h, E3h	—	○	—	—	○	C
Idle Immediate	95h, E1h	—	—	—	—	○	C
Initialize Drive Parameters	91h	—	○	—	—	○	C
Read Buffer	E4h	—	—	—	—	○	R
Read Long Sector	22h, 23h	—	—	○	○	○	R
Read Multiple	C4h	—	○	○	○	○	R
Read Sector (s)	20h, 21h	—	○	○	○	○	R
Read Verify Sector (s)	40h, 41h	—	○	○	○	○	C
Recalibrate	1xh	—	—	—	—	○	C
Seek	7xh	—	—	○	○	○	C
Set Features	EFh	○	—	—	—	○	C
Set Multiple Mode	C6h	—	○	—	—	○	C
Set Sleep Mode	99h, E6h	—	—	—	—	○	C
Standby	96h, E2h	—	—	—	—	○	C
Standby Immediate	94h, E0h	—	—	—	—	○	C
Write Buffer	E8h	—	—	—	—	○	W
Write Long Sector	32h, 33h	—	—	○	○	○	W
Write Multiple	C5h	—	○	○	○	○	W
Write Sector (s)	30h, 31h	—	○	○	○	○	W

FR: Features register

SC: Sector count register

SN: Sector number register

CY: Cylinder register

DH: Drive/head register

C/R/W: C - Control, R - Read, W - Write

○ : modified, valid — : invalid

7.2 Commands for CompactFlash

Supported CompactFlash commands are listed below.

Command	Code	FR	SC	SN	CY	DH	C/R/W
Request Sense	03h	—	—	—	—	○	C
Erase Sector (s)	C0h	—	○	○	○	○	C
Translate Sector	87h	—	○	○	○	○	R
Wear Level	F5h	—	—	—	—	○	C
Write Multiple w/o Erase	CDh	—	○	○	○	○	W
Write Sector (s) w/o Erase	38h	—	○	○	○	○	W

7.3 Vendor-Unique Commands

Vendor-unique commands can be executed by writing “FFh” data to the command register when a value from the below chart has been written to the feature register.

Command	Code	FR	Description	C/R/W
Low Level Format	FFh	Undefined	Initialization of substitute information, all sectors	C
Change Information	FFh	Undefined	Change CIS/Identify information	W
Change Physical Cylinder	FFh	Undefined	Set maximum value of physical cylinder	C
Read All	FFh	Undefined	Read 528 bytes of the specified page	R
Un Lock	FFh	Undefined	Vendor-unique commands that follow are valid	C

Change Physical Cylinder: Sets the maximum value of the user area that is accessible from the host. For details, refer to section 7.6, “Number of Installed Memory Chips and CHS Structure.”

7.4 Card Information Structure

The desired card information structure (CIS) can be stored by the change information command.

7.5 Identify Information

The desired identify information can be stored by the change information command.

7.6 Number of Installed Memory Chips and CHS Structure

NAND flash memory is erased in block units. Since block erasing is also performed during a 1-page (sector) write, efficiency is increased during write operations by serially addressing sectors within the same block.

The CHS structure and number of installed memory chips when using 64, 128, 256 and 512 Mbit memory are listed below (where C is the default value). The C value of the CHS address can be set by the change physical cylinder command (a vendor-unique command).

• 64 Mbit Memory

Capacity	No. of Chips	CHS			LBA Max. (Hex)
		C	H	S	
8	1	1000	1	16	16000 (3E80)
16	2	1000	1	32	32000 (7D00)
32	4	1000	2	32	64000 (FA00)
48	6	1000	3	32	96000 (17700)
64	8	1000	4	32	128000 (1F400)
80	10	1000	5	32	160000 (27100)
96	12	1000	6	32	192000 (2EE00)
112	14	1000	7	32	224000 (36B00)
128	16	1000	8	32	256000 (3E800)
144	18	1000	9	32	288000 (46500)
160	20	1000	10	32	320000 (4E200)

• 128 Mbit Memory

Capacity	No. of Chips	CHS			LBA Max. (Hex)
		C	H	S	
16	1	1000	1	32	32000 (7D00)
32	2	1000	1	64	64000 (FA00)
64	4	1000	2	64	128000 (1F400)
96	6	1000	3	64	192000 (2EE00)
128	8	1000	4	64	256000 (3E800)
160	10	1000	5	64	320000 (4E200)
192	12	1000	6	64	384000 (5DC00)
224	14	1000	7	64	448000 (6D600)
256	16	1000	8	64	512000 (7D000)
288	18	1000	9	64	576000 (8CA00)
320	20	1000	10	64	640000 (9C400)

• 256 Mbit Memory

Capacity	No. of Chips	CHS			LBA Max. (Hex)
		C	H	S	
32	1	1000	2	32	64000 (FA00)
64	2	1000	2	64	128000 (1F400)
128	4	1000	4	64	256000 (3E800)
192	6	1000	6	64	384000 (5DC00)
256	8	1000	8	64	512000 (7D000)
320	10	1000	10	64	640000 (9C400)
384	12	1000	12	64	768000 (BB800)
448	14	1000	14	64	896000 (DAC00)
512	16	1000	16	64	1024000 (FA000)
576	18	—	—	—	1152000 (119400)
640	20	—	—	—	1280000 (138800)

• 512 Mbit Memory

Capacity	No. of Chips	CHS			LBA Max. (Hex)
		C	H	S	
64	1	1000	4	32	128000 (1F400)
128	2	1000	4	64	256000 (3E800)
256	4	1000	8	64	512000 (7D000)
384	6	1000	12	64	768000 (BB800)
512	8	1000	16	64	1024000 (FA000)
640	10	—	—	—	1280000 (138800)
768	12	—	—	—	1536000 (177000)
896	14	—	—	—	1792000 (1B5800)
1024	16	—	—	—	2048000 (1F4000)
1152	18	—	—	—	2304000 (232800)
1280	20	—	—	—	2560000 (271000)

7.7 Modes

7.7.1 Memory Mapped

In the memory mapped mode, ATA registers appear in the 0 to 2K window of common memory space.

7.7.2 I/O Mapped 16 Contiguous Registers

In the I/O mapped 16 contiguous registers mode, contiguous ATA registers appear in I/O space.

7.7.3 Primary I/O Mapped

In the primary I/O mapped mode, ATA registers appear in 1F0h to 1F7h and 3F6h to 3F7h of the standard I/O address space.

7.7.4 Secondary I/O Mapped

In the secondary I/O mapped mode, ATA registers appear in 170h to 177h and 376h to 377h of the standard I/O address space.

7.7.5 True IDE

This mode is compatible with True IDE Mode.

8. CHIP MODES

8.1 Types

There are four types of chip modes. Note that default pin assignments change depending upon the chip mode.

- Normal Mode
This mode is normally used.
- External ROM Connection Mode
This mode is used for connection to external ROM.
- External CPU Connection Mode
This mode is used for debugging. When this mode is activated, the internal microcontroller does not operate.
- Test Mode
This mode is used for testing. The test mode is not normally used.

8.2 Settings

Chip modes are determined by the status of `pcfg[1:0]` when the power-on-reset signal (`porn` signal) rises.

<code>pcfg [1 : 0] = 11</code>	Normal Mode
<code>pcfg [1 : 0] = 01</code>	External CPU Connection Mode
<code>pcfg [1 : 0] = 10</code>	External ROM Connection Mode
<code>pcfg [1 : 0] = 00</code>	Test Mode

8.3 Pin Assignment

Interface	Signal Name	Normal		External ROM Connection		External CPU Connection	
Extended Bus	<code>xah [15 : 8]</code>	(Low-Level)	0	<code>xah [15 : 8]</code>	I/O	<code>xah [15 : 8]</code>	I/O
Extended Bus	<code>xad [7 : 0]</code>	(Low-Level)	0	<code>xad [7 : 0]</code>	I/O	<code>xad [7 : 0]</code>	I/O
Extended Bus	<code>xrd</code>	(Low-Level)	0	<code>xrd</code>	0	<code>xrd</code>	I
Extended Bus	<code>xwr</code>	(Low-Level)	0	<code>xwr</code>	0	<code>xwr</code>	I
Extended Bus	<code>xale</code>	(Low-Level)	0	<code>xale</code>	0	<code>xale</code>	I
Host	<code>hcseln</code>	<code>hcseln</code>	I	<code>hcseln</code>	I	<code>xint</code>	0
NAND Flash	<code>xpsenn</code>	<code>mctl</code>	I	<code>mctl</code>	I	<code>xpsenn</code>	I
NAND Flash	<code>xrst</code>	<code>mcen [7]</code>	0	<code>mcen [7]</code>	0	<code>xrst</code>	0
NAND Flash	<code>xclk</code>	<code>mcen [6]</code>	0	<code>mcen [6]</code>	0	<code>xclk</code>	0

9. ELECTRICAL CHARACTERISTICS

9.1 Absolute Maximum Ratings

Parameter		Symbol	Condition	Rating	Unit
Power Supply Voltage		V_{DD}	$T_j = 25^\circ\text{C}$ The standard is $V_{SS} = 0\text{ V}$	-0.3 to +4.6	V
Input Voltage	Normal Buffer	V_I		-0.3 to $V_{DD} + 0.3$	
	5 V Tolerant Buffer			-0.3 to +6.0	
Output Voltage	Normal Buffer	V_O		-0.3 to $V_{DD} + 0.3$	
	5 V Tolerant Buffer			-0.3 to +6.0	
Input Current	Normal Buffer	I_I		-10 to +10	mA
	5 V Tolerant Buffer			-6 to +6	
Storage Temperature		Tstg		-65 to +150	$^\circ\text{C}$

9.2 Recommended Operating Conditions

Parameter	Symbol	Range	Unit
Power Supply Voltage	V_{DD}	3.0 to 3.6	V
Operating Temperature	T_j	-40 to +85	$^\circ\text{C}$

9.3 DC Characteristics

($V_{DD} = 3.0$ to 3.6 V , $V_{SS} = 0\text{ V}$, $T_j = -40$ to $+85^\circ\text{C}$)

Parameter	Symbol	Condition	Rating			Unit
			Min.	Typ.	Max.	
High Level Input Voltage	V_{IH}	TTL normal input	2.0	—	$V_{DD} + 0.3$	V
		5 V tolerant input	2.0	—	5.5	
Low Level Input Voltage	V_{IL}	—	-0.3	—	+0.8	
Schmitt Trigger Threshold Voltage	V_{t+}	—	—	1.5	2.0	
	V_{t-}	—	0.7	1.0	—	
	ΔV_t	$V_{t+} - V_{t-}$	0.4	0.5	—	
High Level Output Voltage	V_{OH}	$I_{OH} = -100\ \mu\text{A}$	$V_{DD} - 0.2$	—	—	
		$I_{OL} = 2, 4, 8\ \text{mA}$	2.4	—	—	
Low Level Output Voltage	V_{OL}	$I_{OH} = -100\ \mu\text{A}$	—	—	0.2	
		$I_{OL} = 2, 4, 8\ \text{mA}$	—	—	0.4	
High Level Input Current	I_{IH}	$V_{IH} = V_{DD}$	—	0.01	1	μA
Low Level Input Current	I_{IL}	$V_{IL} = V_{SS}$	-1	+0.01	—	
		(50 k Ω pull-up)	-170	-66	-15	
Output Leakage Current	I_{OZH}	$V_{OL} = V_{DD}$	—	0.01	1	
		$V_{OL} = V_{SS}$	-1	-0.01	—	
	I_{OZL}	(50 k Ω pull-up)	-170	-66	-15	
Standby Power Supply Current	I_{DDS}	Output open	-10	—	+10	

Note 1 : Listed values are for a normal buffer and a 5 V tolerant buffer unless otherwise specified.

Note 2 : Typical values are indicated for a typical condition at $V_{DD} = 3.3\text{ V}$ and $T_j = 25^\circ\text{C}$.

10. BUS SPECIFICATIONS

10.1 I/O Mode

The I/O mode conforms to PCMCIA-ATA and IDE specifications.

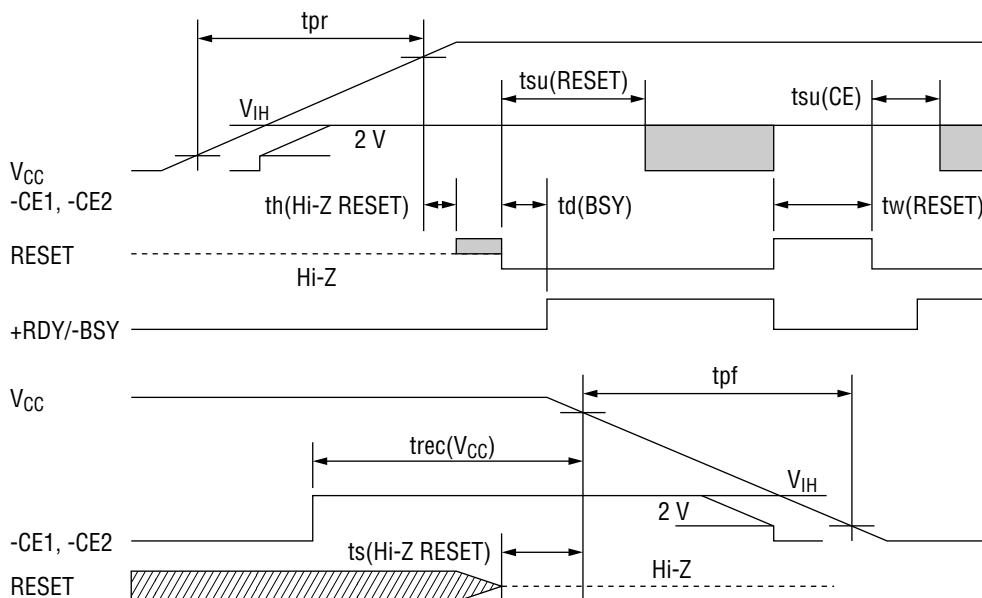
10.2 Bus Timing Specifications

Bus timing conforms to PCMCIA-ATA, IDE and NAND flash memory specifications.

10.3 Power ON/OFF, Reset, Busy Timing

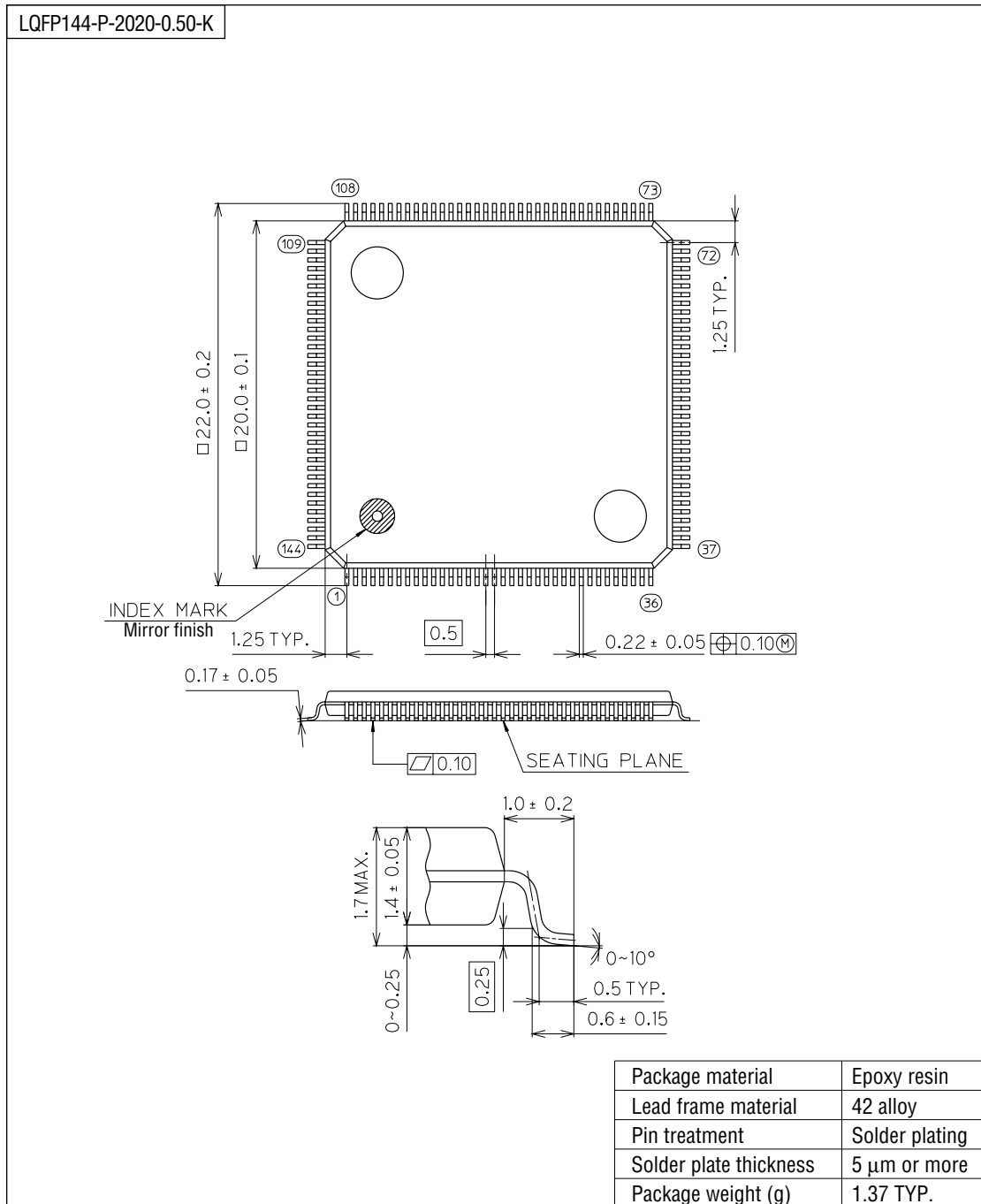
Parameter	Symbol	Condition	Specified Value		
			Min.	Max.	Unit
-CE Signal Level	V_I (CE)	$0\text{ V} \leq V_{CC} < 2.0\text{ V}$	0	V_I Max.	V
		$2.0\text{ V} \leq V_{CC} < V_{IH}$	$V_{CC} - 0.1$	V_I Max.	
		$V_{IH} \leq V_{CC}$	V_{IH}	V_I Max.	
Reset Setup Time	t_{su} (RESET)	—	TBD		ms
Ready Release Delay Time	t_d (BSY)	—	TBD		ms
-CE Recovery Time	t_{rec} (V_{CC})	—	TBD		ms
V_{CC} Rise Time	t_{pr}	$10\% \rightarrow (V_{CC} + 5\%) 90\% *1$	TBD		ms
V_{CC} Fall Time	t_{pf}	$(V_{CC} - 5\%) 90\% \rightarrow 10\% *1$	TBD		ms
Reset Width	t_w (RESET)	—	TBD		ms
	t_h (Hi-Z RESET)	—	TBD		ms
	t_s (Hi-Z RESET)	—	TBD		ms

*1: t_{pr} and t_{pf} are defined as the time of the “straight-line change from 10% to 90% of V_{CC} ”, and vice-versa. Even if the rise and fall waveforms are non-linear, the maximum slope of the waveform must meet these specifications.



11. PACKAGE DIMENSIONS

(Unit : mm)

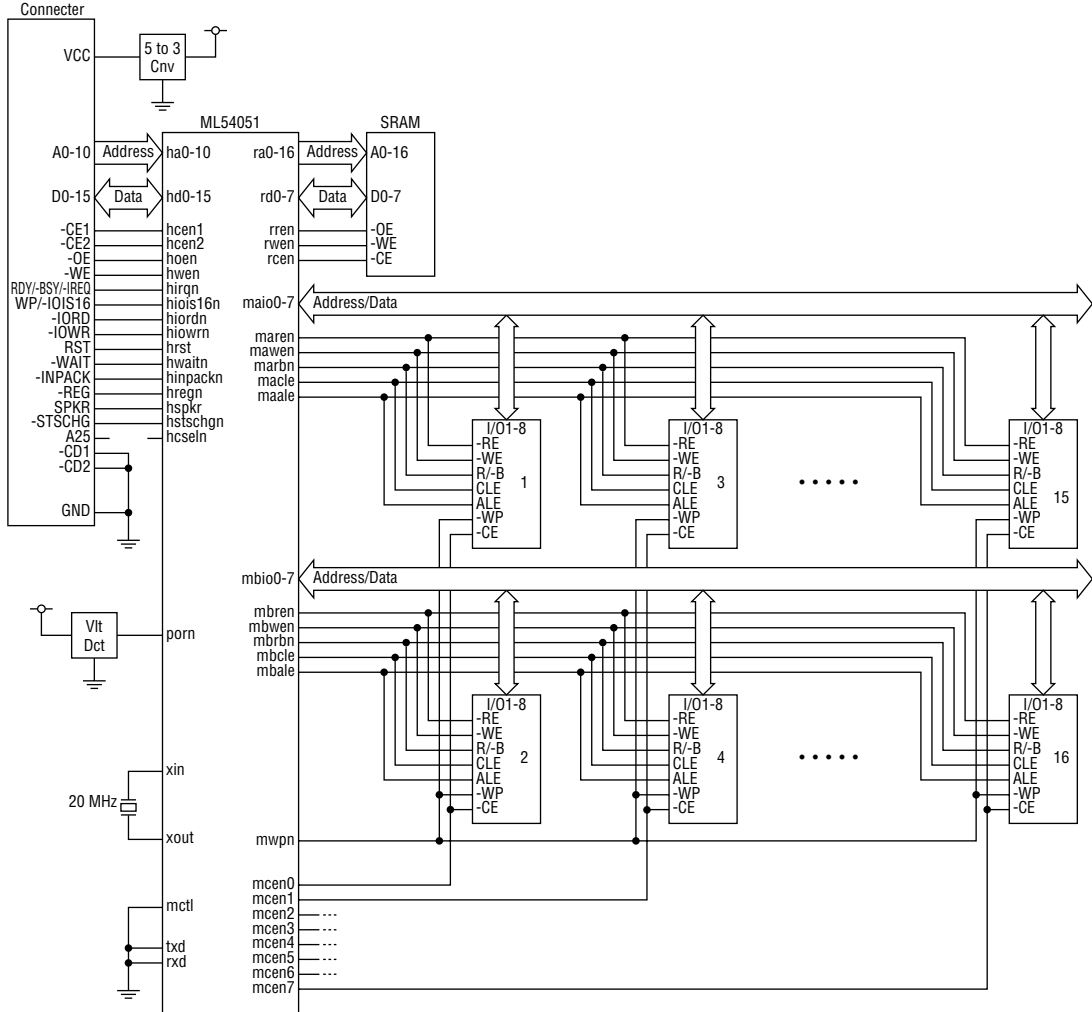


Notes for Mounting the Surface Mount Type Package

The SOP, QFP, TSOP, SOJ, QFJ (PLCC), SHP and BGA are surface mount type packages, which are very susceptible to heat in reflow mounting and humidity absorbed in storage. Therefore, before you perform reflow mounting, contact Oki's responsible sales person for the product name, package name, pin number, package code and desired mounting conditions (reflow method, temperature and times).

12. APPLICATION EXAMPLES

Stand-Alone Chip



Chip and External Decoder Circuit

