
MSM63V89C

1,048,576-Word x 1-Bit Solid-State Recorder Data Register

GENERAL DESCRIPTION

The MSM63V89C is a solid-state recorder data register in 1,048,576 words x 1 bit configuration.

The MSM63V89C has a built-in internal address generator circuit allowing continuous serial read/write operation by single external clock input. The internal address is automatically incremented by one by read/write operation.

Address designation in units of 1024 words in the direction of words is possible by an external serial address input.

The built-in refresh timer and refresh counter have eliminated the need of an external refresh circuit and realized a low power consumption.

26/20-pin plastic TSOP is used as the package and the operating temperature range is between 0°C and 70°C.

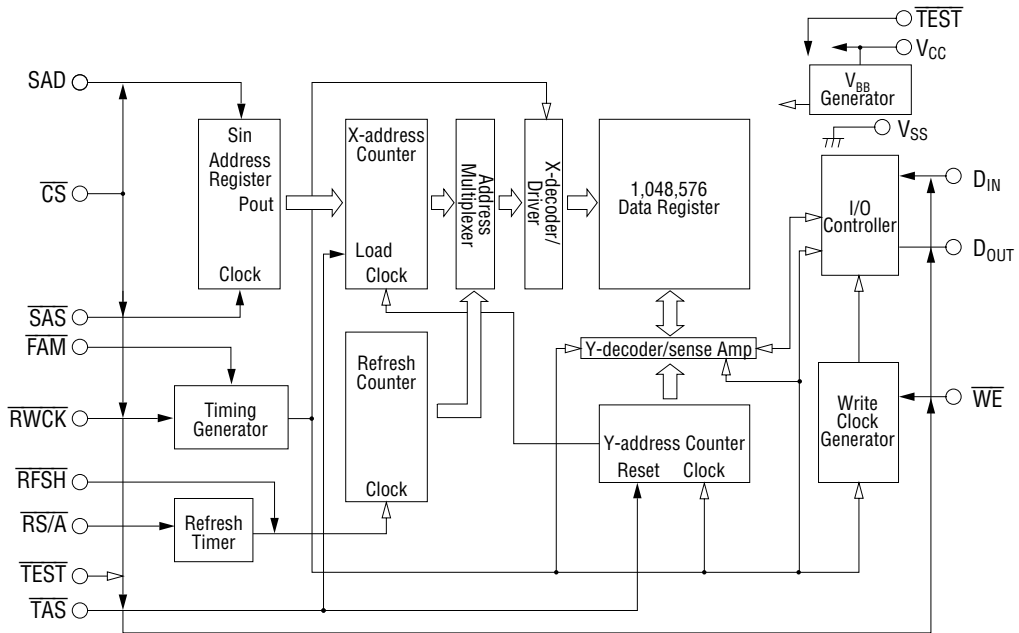
The MSM63V89C is suitable for storing large capacity data with battery backup. A solid state recording and playback system can easily be constructed in combination with OKI's voice synthesizer ICs.

FEATURES

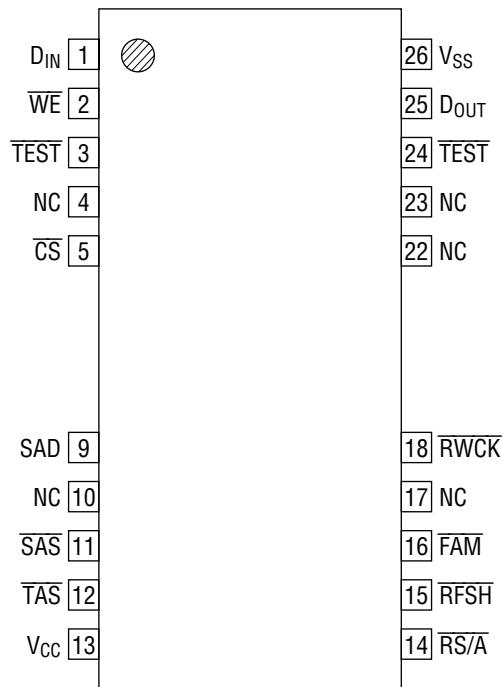
- Configuration: 1,048,576 x 1 bit
- Serial access operation:

Serial access time	1.5 μ s (3.0 μ s)
Serial read/write cycle time	2.0 μ s (4.0 μ s)
Fast mode read/write cycle time	0.4 μ s (0.4 μ s)
Times in parentheses indicate ones in self-refresh mode.	
- Low current consumption: 50 μ A max. (for data holding, $V_{CC}=3.0$ V)
- Wide operating supply voltage range: Single 2.7 to 3.6V
- Auto-refresh/self-refresh changeable
- Package:
 - 26/20-pin plastic TSOP (TSOPII26/20-P-300-1.27-K) (Product name: MSM63V89CTS-K)

BLOCK DIAGRAM



PIN CONFIGURATION (TOP VIEW)



NC : No connection

26/20-pin plastic TSOP

PIN DESCRIPTIONS

Pin	Symbol	Description
1	D _{IN}	Data input
2	\overline{WE}	Write enable
3, 24	\overline{TEST}	Test input
5	\overline{CS}	Chip select
9	SAD	Serial address data
11	\overline{SAS}	Serial address strobe
12	\overline{TAS}	Transfer address strobe
13	V _{CC}	Power supply (3.3 V)
14	$\overline{RS/A}$	Auto-Refresh/Self-Refresh Select
15	\overline{RFSH}	Refresh Clock Input
16	\overline{FAM}	Fast Access Mode Select
18	\overline{RWCK}	Read/write clock
25	D _{OUT}	Data output
26	V _{SS}	Ground (0 V)

ABSOLUTE MAXIMUM RATINGS

Parameter	Symbol	Condition	Rating	Unit
Terminal Voltage	V_T	$T_a = 25^\circ\text{C}$, relative to V_{SS}	-1.0 to +7.0	V
Output Short-Circuit Current	I_{OS}	$T_a = 25^\circ\text{C}$	50	mA
Power Dissipation	P_D	$T_a = 25^\circ\text{C}$	1	W
Operating Temperature	T_{op}	—	0 to 70	$^\circ\text{C}$
Storage Temperature	T_{STG}	—	-55 to +150	$^\circ\text{C}$

RECOMMENDED OPERATING CONDITIONS

(Ta = 0 to 70°C)

Parameter	Symbol	Min.	Typ.	Max.	Unit
Supply Voltage	V_{CC}	2.7	3.3	3.6	V
Supply Voltage	V_{SS}	0	0	0	V
"H" Input Voltage	V_{IH}	$V_{CC} - 0.5$	V_{CC}	$V_{CC} + 0.5$	V
"L" Input Voltage	V_{IL}	-0.5	0	+0.5	V

ELECTRICAL CHARACTERISTICS**DC Characteristics**(V_{CC} = 2.7 V to 3.6 V, Ta = 0 to 70°C)

Parameter	Symbol	Condition	Min.	Max.	Unit
"H" Output Voltage	V_{OH}	$I_{OH} = -0.5 \text{ mA}$	$V_{CC} - 0.5$	—	V
"L" Output Voltage	V_{OL}	$I_{OL} = 0.5 \text{ mA}$	—	0.4	V
Input Leakage Current	I_{LI}	$V_I = 0 \text{ V to } V_{CC}$	-1	+1	μA
Output Leakage Current	I_{LO}	$V_O = 0 \text{ V to } V_{CC}$	-1	+1	μA
Supply Current (in operating state)	I_{CC1}	$V_{CC} = 3 \text{ V}$, $t_{RWC} = 2 \mu\text{s}$	—	3	mA
Supply Current (in standby state)	I_{CC2}	$V_{CC} = 3 \text{ V}$	—	50	μA
Supply Current (FAM)	I_{CC3}	$V_{CC} = 3 \text{ V}$, $t_{RWC} = 0.4 \mu\text{s}$	—	10	mA

AC Characteristics

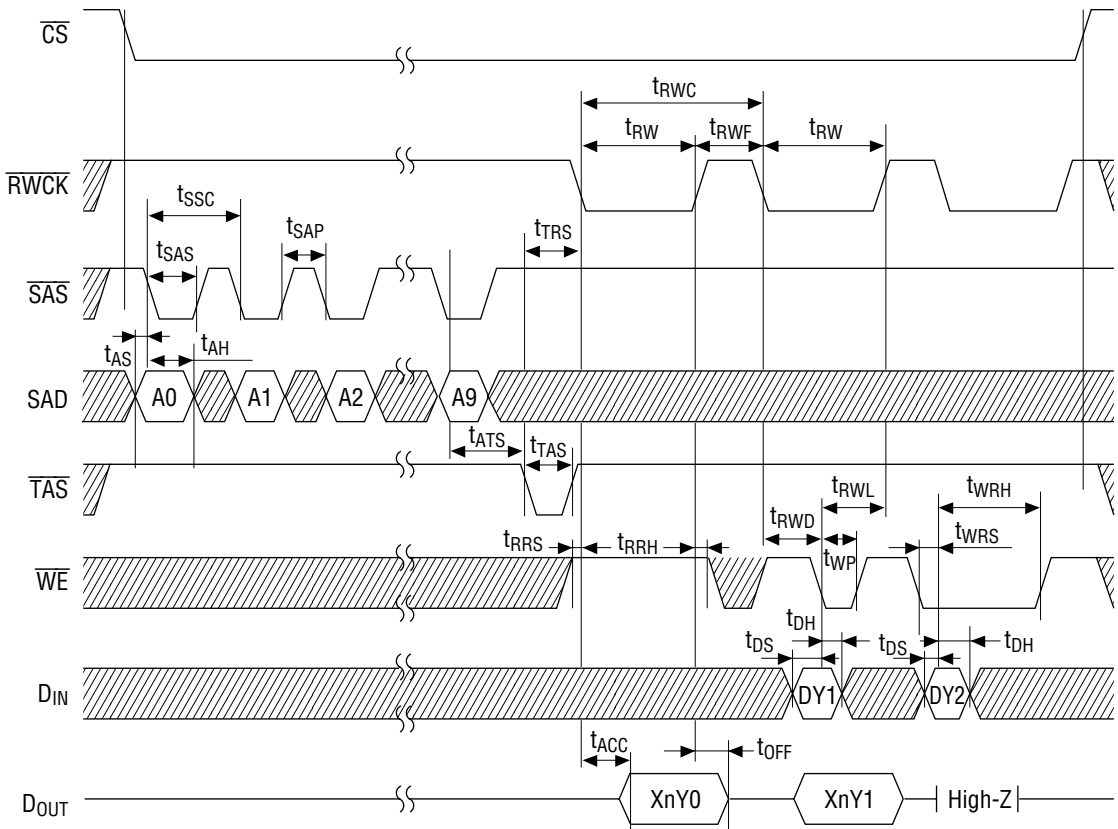
(V_{CC} = 2.7 V to 3.6 V, T_a = 0 to 70°C)

Parameter	Symbol	MSM63V89C-SELF		MSM63V89C-AUTO		Unit
		Min.	Max.	Min.	Max.	
Refresh Cycle	t _{REF}	—	—	—	100	ms
Read/Write Cycle Time	t _{RWC}	4,000	—	2,000	—	ns
Access Time	t _{ACC}	—	3,000	—	1,500	ns
Output Turn-off Delay Time	t _{OFF}	0	50	0	50	ns
Input Signal Rise/Fall Time	t _T	3	50	3	50	ns
RWCK Precharge Time	t _{RWP}	1,000	—	500	—	ns
RWCK Pulse Width	t _{RW}	3,000	10,000	1,500	10,000	ns
SAS Cycle Time	t _{SSC}	100	—	100	—	ns
SAS Pulse Width	t _{SAS}	50	—	50	—	ns
SAS Precharge Time	t _{SAP}	50	—	50	—	ns
Address Setup Time	t _{AS}	0	—	0	—	ns
Address Hold Time	t _{AH}	50	—	50	—	ns
TAS Setup Time	t _{ATS}	50	—	50	—	ns
TAS to RWCK Setup Time	t _{TRS}	50	—	50	—	ns
TAS Pulse Width	t _{TAS}	50	—	50	—	ns
Read Command Setup Time	t _{RRS}	0	—	0	—	ns
Read Command Hold Time	t _{RRH}	50	—	50	—	ns
Write Command Setup Time	t _{WRS}	0	—	0	—	ns
Write Command Hold Time	t _{WRH}	50	—	50	—	ns
Write Command Pulse Width	t _{WP}	50	—	50	—	ns
WE to RWCK Lead Time	t _{RWL}	50	—	50	—	ns
Data Setup Time	t _{DS}	0	—	0	—	ns
Data Hold Time	t _{DH}	50	—	50	—	ns
RWCK to WE Delay Time	t _{RWD}	100	—	100	—	ns
RFSH Setup Time	t _{RFS}	—	—	500	—	ns
RFSH Precharge Time	t _{RFP}	—	—	500	—	ns
RFSH Pulse Width	t _{RF}	—	—	1,500	10,000	ns
RFSH RWCK Precharge Time	t _{RRP}	—	—	500	—	ns
Fast Mode Cycle Time	t _{FC}	400	—	400	—	ns
Fast RWCK Mode Access Time	t _{FAC}	—	300	—	300	ns
Fast RWCK Precharge Time	t _{FCP}	100	—	100	—	ns
Fast Mode RWCK Pulse Width	t _{FR}	300	—	300	—	ns
Fast Mode Setup Time	t _{FS}	0	—	0	—	ns
Fast Mode Hold Time	t _{FH}	50	—	50	—	ns
Fast Mode Width	t _{FCC}	4,000	100,000	2,000	100,000	ns
Slow Mode Setup Time	t _{SS}	0	—	0	—	ns
Slow Mode Hold Time	t _{SH}	50	—	50	—	ns

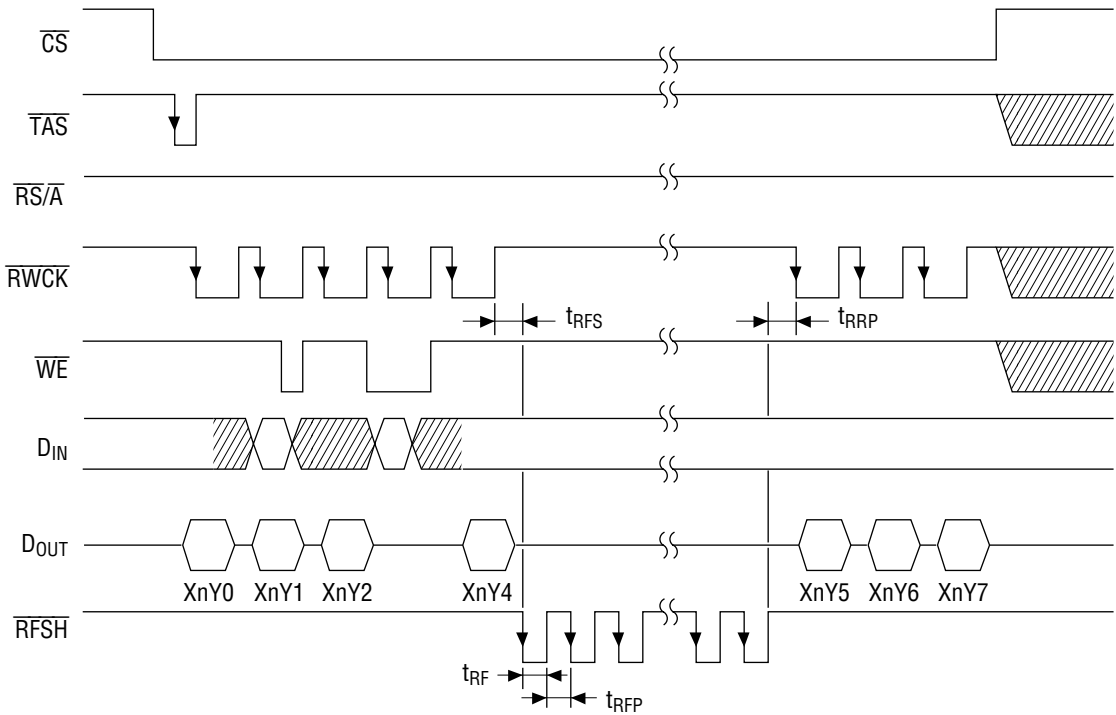
Note: Switching to the fast mode should be made satisfying the timings of t_{FS} and t_{SS} at the "L" level of RWCK.

TIMING DIAGRAMS

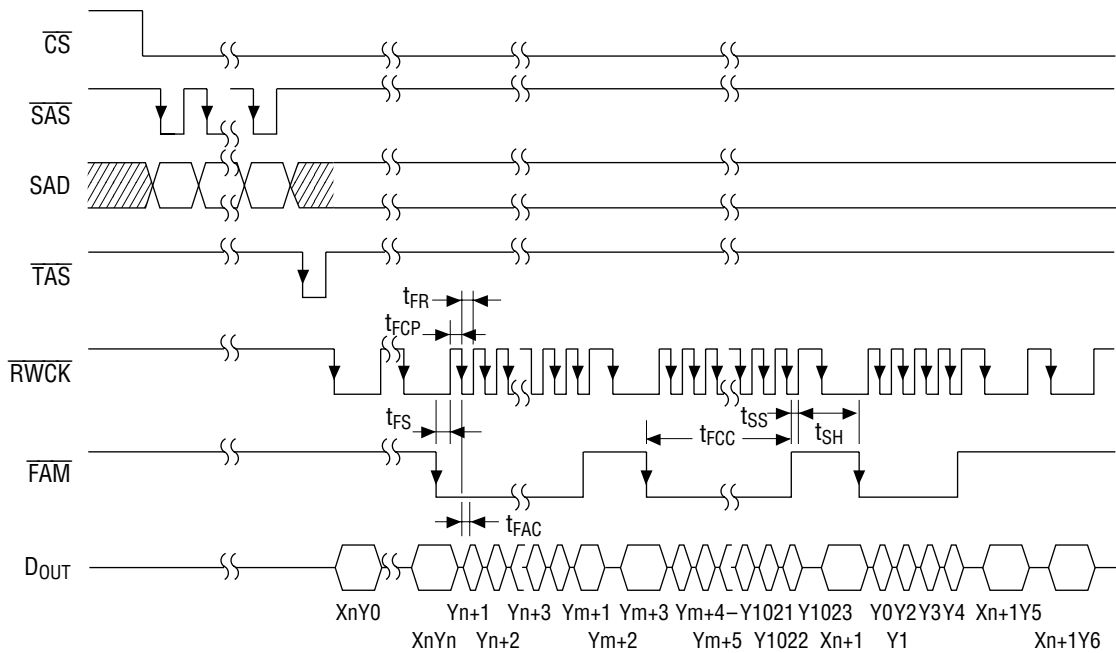
Read/Write/Read Modify Write Cycle



Auto-Refresh Mode



Fast Access Mode



FUNCTIONAL DESCRIPTION

Serial Address Input (SAD)

Pin for inputting the start address for read/write. Address data can be input in units of 1024 words. The 1,024 address data can be input as 10-bit (A0-A9) serial from the SAD pin.

Serial Address Strobe ($\overline{\text{SAS}}$)

Pin for the clock used to store the serial address data into the internal register.

Address Transfer Strobe ($\overline{\text{TAS}}$)

Input pin for setting the serial address data stored in the address register to the internal address counter.

When the $\overline{\text{TAS}}$ falls, the Y address is set to address 0.

Read/Write Clock ($\overline{\text{RWCK}}$)

Input pin for the data register information read/write clock.

Internal operation starts at the falling edge of $\overline{\text{RWCK}}$. The information in the data register is output to the DOUT pin in the read mode, and the information at the DIN pin is written into the data register in the write mode. The internal address counter is automatically incremented when $\overline{\text{RWCK}}$ falls.

Write Enable ($\overline{\text{WE}}$)

Input pin for selecting the read mode, write mode or read modify write mode.

The read mode is set when $\overline{\text{WE}}$ is "H", and the write mode is set when $\overline{\text{WE}}$ is "L". When $\overline{\text{WE}}$ falls from "H" to "L" while $\overline{\text{RWCK}}$ is active, the read modify write mode is set.

Data Input (D_{IN})

Input pin for write data.

The information at the data input pin is stored at the falling edge of $\overline{\text{RWCK}}$ in the write mode, and at the falling edge of $\overline{\text{WE}}$ in the read modify write mode.

Data Output (D_{OUT})

The data output pin is always kept in the high impedance state when $\overline{\text{RWCK}}$ or $\overline{\text{CS}}$ is kept at "H". When "H" or "L" information is read in the read operation, the output pin is set to "H" to "L" and holds the read information until $\overline{\text{RWCK}}$ is again set to "H". In the early write mode the output pin maintains the high impedance state, so I/O common operation by connecting D_{IN} and D_{OUT} is possible.

Self/Auto Refresh Select ($\overline{\text{RS/A}}$)

Pin for selecting a refresh mode in order to retain memory cell data.

If the $\overline{\text{RS/A}}$ pin is set to "L" level, the self-refresh mode is selected and no external refresh control is required. If the $\overline{\text{RS/A}}$ pin is set to "H" level, the auto-refresh mode is selected and refresh operation is required to retain memory cell data.

Refresh Clock Input ($\overline{\text{RFSH}}$)

Input pin for controlling the external refresh when the auto refresh mode is selected. When the auto-refresh mode is selected, 1024 refresh operations are required within 100ms via the $\overline{\text{RFSH}}$ pin while the $\overline{\text{RWCK}}$ is at "H" level.

Fast Access Mode Select ($\overline{\text{FAM}}$)

Pin for fast read/write operations. Fast read/write is possible by keeping the $\overline{\text{FAM}}$ pin at "L" level. The fast access mode is set or released by inputting "L" level or "H" level to the $\overline{\text{FAM}}$ pin when the $\overline{\text{RWCK}}$ pin is at "L" level, and when t_{FS} and t_{SS} are satisfied.

When 1024-word data access is complete, be sure to insert a normal cycle in order to increment the X address.

Chip Select ($\overline{\text{CS}}$)

Input pin for disabling all input and output pins. This pin enables parallel use of multiple MSM63V89Cs by connecting the data input and output pins.

Test ($\overline{\text{TEST}}$)

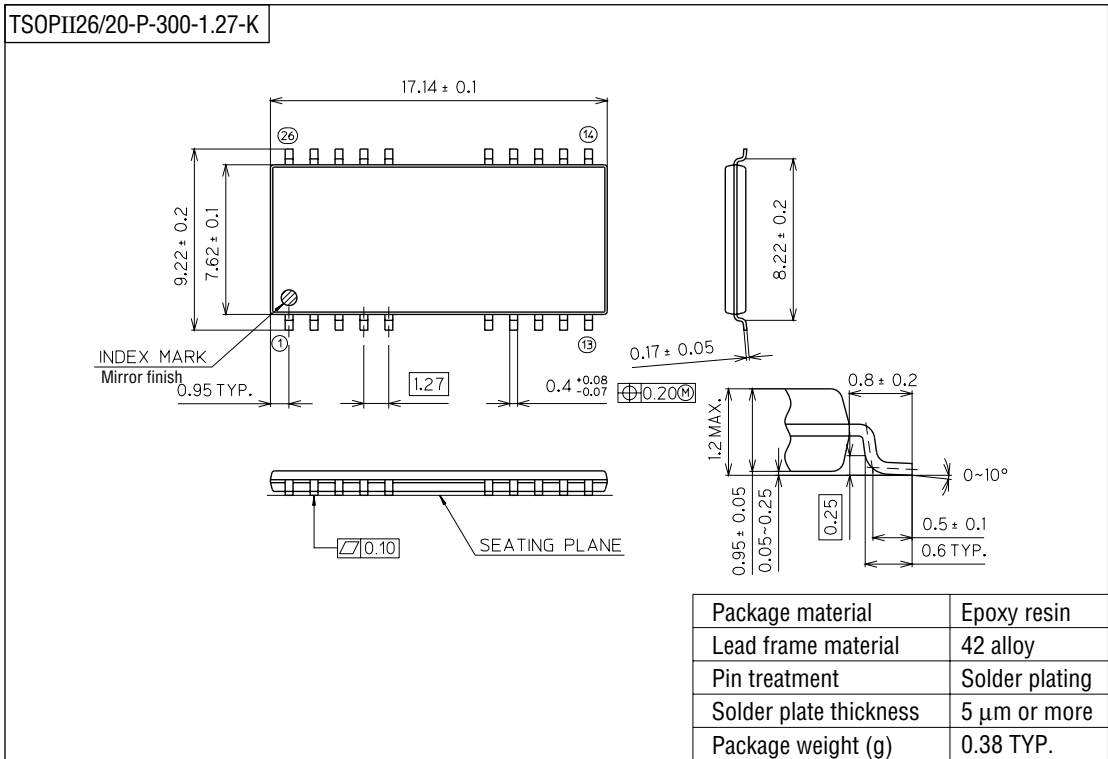
The $\overline{\text{TEST}}$ pin is fixed to "H" level.

Turning the power ON

To stabilize the device, it is required to pause for over 100 μs after the V_{CC} reaches the specified voltage. Then it is needed to add eight or more $\overline{\text{RWCK}}$ cycles (read cycles or pseudo data write cycles).

PACKAGE DIMENSIONS

(Unit : mm)



Notes for Mounting the Surface Mount Type Package

The SOP, QFP, TSOP, TQFP, LQFP, SOJ, QFJ (PLCC), SHP, and BGA are surface mount type packages, which are very susceptible to heat in reflow mounting and humidity absorbed in storage. Therefore, before you perform reflow mounting, contact Oki's responsible sales person on the product name, package name, pin number, package code and desired mounting conditions (reflow method, temperature and times).

NOTICE

1. The information contained herein can change without notice owing to product and/or technical improvements. Before using the product, please make sure that the information being referred to is up-to-date.
2. The outline of action and examples for application circuits described herein have been chosen as an explanation for the standard action and performance of the product. When planning to use the product, please ensure that the external conditions are reflected in the actual circuit, assembly, and program designs.
3. When designing your product, please use our product below the specified maximum ratings and within the specified operating ranges including, but not limited to, operating voltage, power dissipation, and operating temperature.
4. Oki assumes no responsibility or liability whatsoever for any failure or unusual or unexpected operation resulting from misuse, neglect, improper installation, repair, alteration or accident, improper handling, or unusual physical or electrical stress including, but not limited to, exposure to parameters beyond the specified maximum ratings or operation outside the specified operating range.
5. Neither indemnity against nor license of a third party's industrial and intellectual property right, etc. is granted by us in connection with the use of the product and/or the information and drawings contained herein. No responsibility is assumed by us for any infringement of a third party's right which may result from the use thereof.
6. The products listed in this document are intended for use in general electronics equipment for commercial applications (e.g., office automation, communication equipment, measurement equipment, consumer electronics, etc.). These products are not authorized for use in any system or application that requires special or enhanced quality and reliability characteristics nor in any system or application where the failure of such system or application may result in the loss or damage of property, or death or injury to humans. Such applications include, but are not limited to, traffic and automotive equipment, safety devices, aerospace equipment, nuclear power control, medical equipment, and life-support systems.
7. Certain products in this document may need government approval before they can be exported to particular countries. The purchaser assumes the responsibility of determining the legality of export of these products and will take appropriate and necessary steps at their own expense for these.
8. No part of the contents contained herein may be reprinted or reproduced without our prior permission.
9. MS-DOS is a registered trademark of Microsoft Corporation.

Copyright 1999 Oki Electric Industry Co., Ltd.