

### 4 Channels Gigabit Transformers

#### Feature

- ◆ Designed to meet IR 235°C Peak Requirement.
- ◆ Primary inductance 350μH min. with 8mA DC bias.
- ◆ Designed to meet IEEE802.3ab Requirement.

#### Specifications @25°C

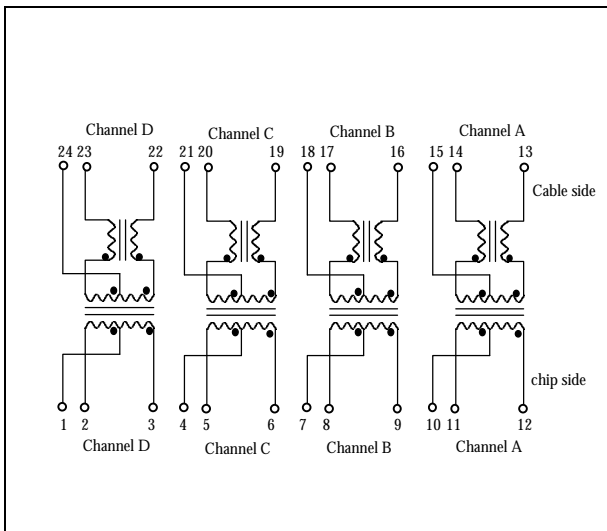
Parameter	Conditions	Min.	Typ	Max.	Unit
Turn ratio			1CT:1CT		
Lp (Note 1)	With 8mA <sub>dc</sub>	350			μH
Insertion loss	@1-100MHz			-1.0	dB
Return loss	@1-30MHz	16.0			dB
	@30-60MHz	Note 2			dB
	@60-80MHz	10			dB
Crosstalk	@30MHz		-40.0		dB
	@60MHz		-38.0		dB
	@100MHz		-33.0		dB
CDMRR	@0.1-32MHz		-42.0		dB
	@32-62MHz		-37.0		dB
	@62-100MHz		-33.0		dB
CCMRR	@0.1-100MHz		-30.0		dB
Voltage Isolation		1500			V <sub>rms</sub>

Note 1: over operating temperature 0-70°C

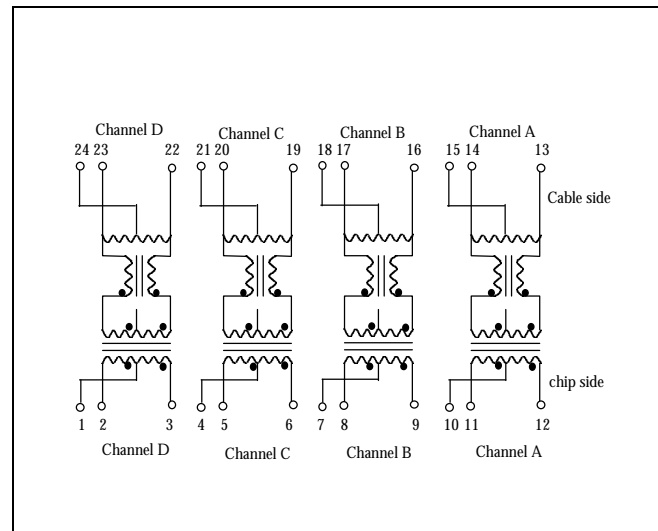
Note 2 : Greater than 16-20 log(f/30 MHz)dB

#### Schematic

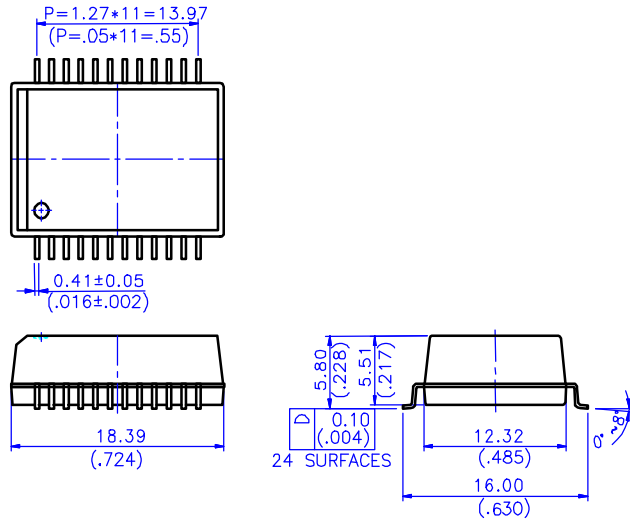
PG243001



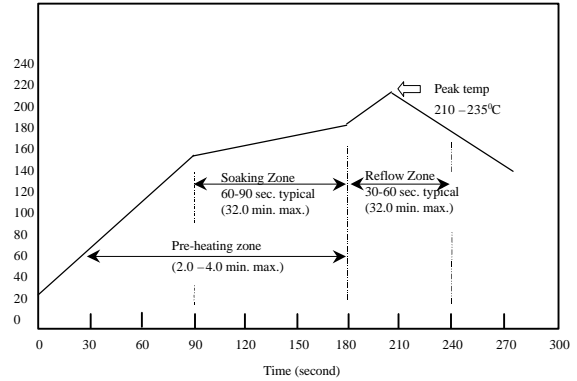
PG243002



**Dimension**

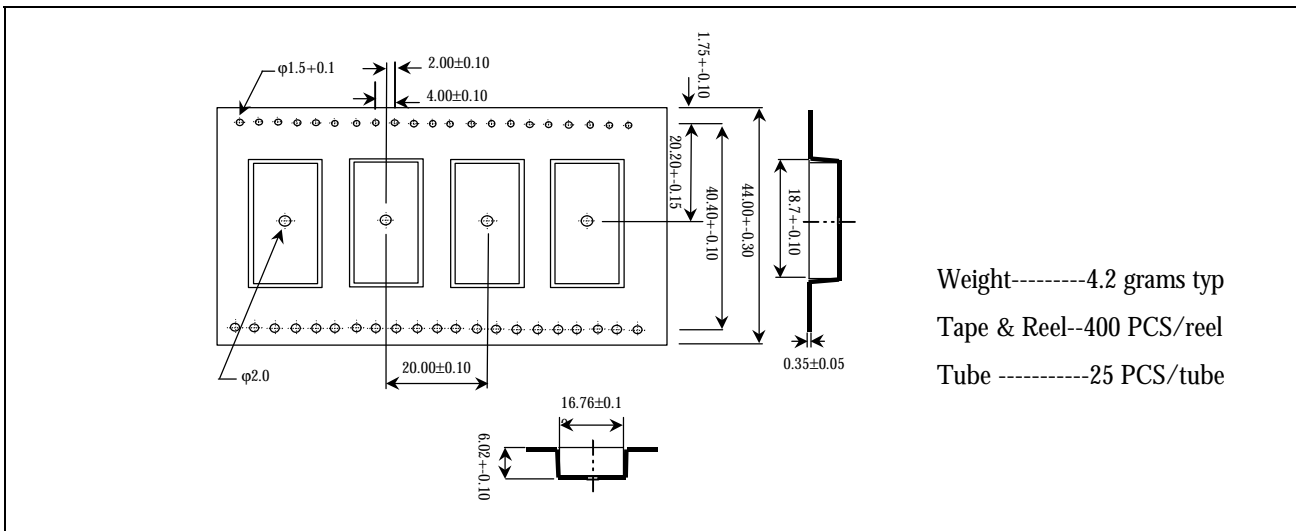


**Reflow Soldering Profile**



Unless otherwise specified, all tolerances are mm(inch)±0.25(0.010)

**Tape & Reel Applications**



**For More Information**

**Headquarters**

Taiwan :  
 Tel: 886-7-7458587  
 Fax: 886-7-7459120

**Asia**

Taiwan :  
 Tel: 886-2-27962878  
 Fax: 886-2-27912635  
 Email:dennis@ycl.com.tw

**USA**

Santa Clara :  
 Tel : (408)727-3827  
 Fax: (408)727-3857  
 Email: hegwood@ycl.com.tw

**EUROPE**

Paris :  
 Tel : (33)247443901  
 Fax : (33)247447806  
 Email:mab007@calva.net  
 Email:brbsarl@aol.com