

# MAXIM

## MAX5026 Evaluation Kit

### General Description

The MAX5026 evaluation kit (EV kit) provides a +30V output voltage from a +3V to +11V input source. It delivers up to 6mA output current, depending on the input voltage. The MAX5026 is a constant-frequency, pulse-width-modulating (PWM), current-mode step-up voltage converter with an internal power switch that operates at 500kHz. This EV kit demonstrates the low-noise performance of the device.

The MAX5026 EV kit is a fully assembled and tested surface-mount circuit board. With modifications, this EV kit can also be used to evaluate MAX5025/MAX5027/MAX5028. The EV kit can be used to evaluate other output voltages by changing the feedback resistors.

### Component List

DESIGNATION	QTY	DESCRIPTION
C1	1	4.7 $\mu$ F, 16V, X5R, 20% ceramic capacitor (1206) Taiyo Yuden EMK316BJ475ML
C2, C3	2	1 $\mu$ F, 50V, X7R, 10% ceramic capacitors (1210) Taiyo Yuden UMK325BJ105KH TDK C3225X7R1H105K Murata GRM42-2X7R105K050AD
C4, C5	0	Not installed, capacitor (1210)
L1	1	47 $\mu$ H $\pm$ 20% power inductor Toko A915BY-470M Sumida CDRH4D28-470
D1	1	0.5A, 40V Schottky diode (SOT23) Zetex ZHCS500
R1	1	147k $\Omega$ $\pm$ 1% resistor (0603)
R2	1	6.34k $\Omega$ $\pm$ 1% resistor (0603)
R3	1	100 $\Omega$ $\pm$ 5% resistor (0805)
U1	1	<b>MAX5026EUT (6-Pin SOT23)</b>
JU1	1	3-pin header (JU1)
J1	1	Oscilloscope jack
None	1	Shunt
None	1	MAX5026 PC board
None	1	MAX5026 EV kit data sheet
None	1	MAX5026 data sheet

### Features

- ◆ +3V to +11V Input Voltage Range (MAX5026/MAX5028)
- ◆ +4.5V to +11V Input Voltage Range (MAX5025/MAX5027)
- ◆ Output Voltage:  
Adjustable Output Voltage Up to +36V (MAX5025/MAX5026)  
+30V Fixed Output Voltage (MAX5027/MAX5028)
- ◆ Low Switching Noise
- ◆ 500kHz Switching Frequency
- ◆ Less than 1mVp-p High-Frequency Output Switching Ripple at 2mA Load
- ◆ Up to 6mA Output Current with +5V Input
- ◆ 6-Pin SOT23 Package
- ◆ Surface-Mount Construction
- ◆ Fully Assembled and Tested

### Ordering Information

PART	TEMP. RANGE	IC PACKAGE
MAX5026EVKIT	0°C to +70°C	6 SOT23-6

**Note:** To evaluate the MAX5025/MAX5027/MAX5028, request a MAX5025EUT/MAX5027EUT/MAX5028EUT free sample with the MAX5026EVKIT.

Evaluates: MAX5025-MAX5028

# MAX5026 Evaluation Kit

## Component Suppliers

SUPPLIER	PHONE	FAX	WEBSITE
Murata	770-436-1300	770-436-3030	www.murata.com
Sumida	847-545-6700	847-545-6720	www.sumida.com
Taiyo Yuden	800-348-2496	847-925-0899	www.t-yuden.com
TDK	847-803-6100	847-390-4405	www.tdk.com
Toko	847-297-0070	847-699-1194	www.tokoam.com
Zetex	631-543-7100	631-864-7630	www.zetex.com

**Note:** Please indicate that you are using the MAX5025-MAX5028 when contacting these component suppliers.

### Quick Start

The MAX5026 EV kit is a fully assembled and tested surface-mount board. Follow the steps below to verify board operation. **Do not turn on the power supply until all connections are completed.**

#### Evaluating MAX5026

- 1) Verify that there is a shunt across JU1 (SHDN) pins 1 and 2.
- 2) Connect a voltmeter and load (if any) to the VOUT pad (and/or plug an oscilloscope probe into the oscilloscope jack).
- 3) Connect a +3V to +11V power supply to the VIN pad. Connect the power-supply ground to the GND pad closest to VIN.
- 4) Turn on the power supply and verify that the output voltage is approximately +30V.

To evaluate other output voltages, refer to the *Evaluating Other Output Voltages* section.

### Detailed Description

#### Shutdown Function

The MAX5026 EV kit contains a boost converter. The circuit provides a +30V output with less than 2mVp-p high-frequency ripple from a +3V to +11V input voltage, and delivers up to 6mA. The setting of jumper JU1 selects the circuit operating modes. Table 1 shows the functions of jumper JU1.

#### Noise Performance

The MAX5026 EV kit is specifically designed for low-noise performance. An RC filter at the regulator's output reduces its noise further. To observe this filtered output, monitor the signal at oscilloscope jack J1. The high-frequency output ripple voltage is less than 1mVp-p at 2mA load current. Extra capacitor pads (C4 and C5) are provided for further noise reduction. To reduce low-frequency noise, add a 10 $\mu$ F electrolytic capacitor at

the pads labeled C5. Without the 10 $\mu$ F capacitor, the peak-to-peak low-frequency noise is about 20mV. The peak-to-peak low-frequency noise drops to 3mV when the 10 $\mu$ F capacitor is included.

#### Evaluating Other Output Voltages

The default output for the MAX5026 EV kit is +30V. To generate output voltages other than +30V with either the MAX5025EUT or MAX5026EUT, change feedback resistors R1 and R2. Limit the current through R1 and R2 to about 200 $\mu$ A.  $R1 = R2 [(V_{OUT} / 1.25V) - 1]$ .

#### Evaluating MAX5027/MAX5028

The MAX5026 EV kit can also be used to evaluate the MAX5027/MAX5028 boost converters with fixed +30V output. To evaluate MAX5027/MAX5028, remove the feedback resistors R1 and R2, short the two pads of R1, and replace the MAX5026EUT with a MAX5027EUT/MAX5028EUT.

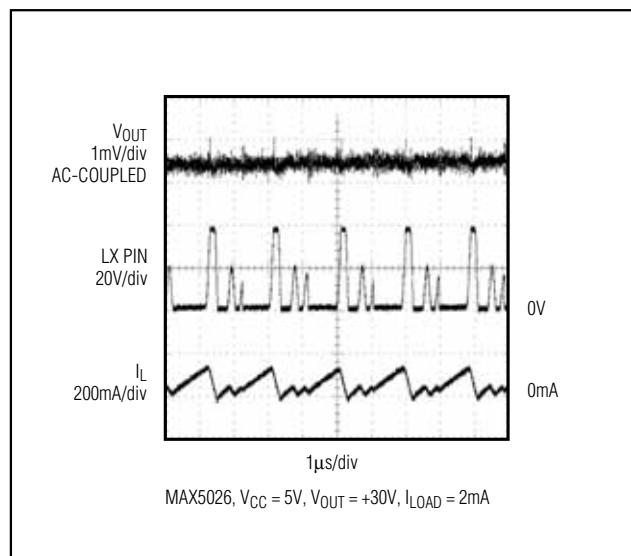


Figure 1. Medium-Load Switching Waveform with RC Filter

# MAX5026 Evaluation Kit

**Table 1. Jumper JU1 Functions**

SHUNT LOCATION	$\overline{\text{SHDN}}$ PIN	MAX5026 OUTPUT
1 and 2	Connected to VIN	MAX5026 enabled, $V_{\text{OUT}} = +30\text{V}$
2 and 3	Connected to GND	Shutdown mode, $V_{\text{OUT}} = V_{\text{IN}} - V_{\text{D}}$ , where $V_{\text{D}}$ is the diode forward-voltage drop
Open	Connected to $\overline{\text{SHDN}}$ pad	External logic signal enables or disables the MAX5026 output

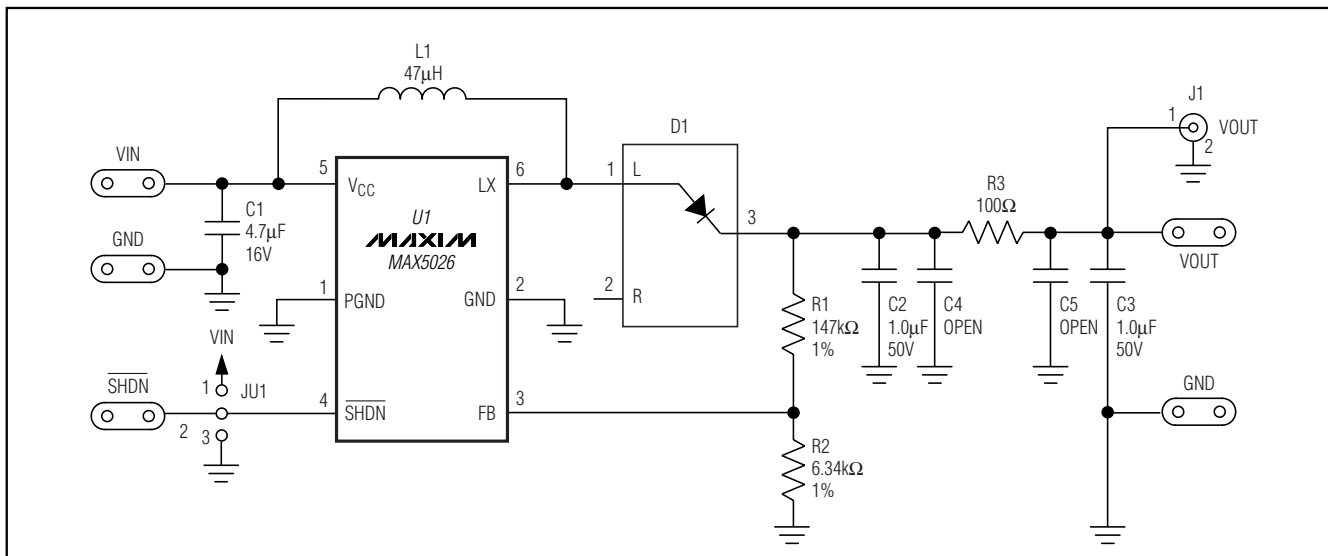


Figure 2. MAX5026 EV Kit Schematic

Evaluates: MAX5025-MAX5028

# MAX5026 Evaluation Kit

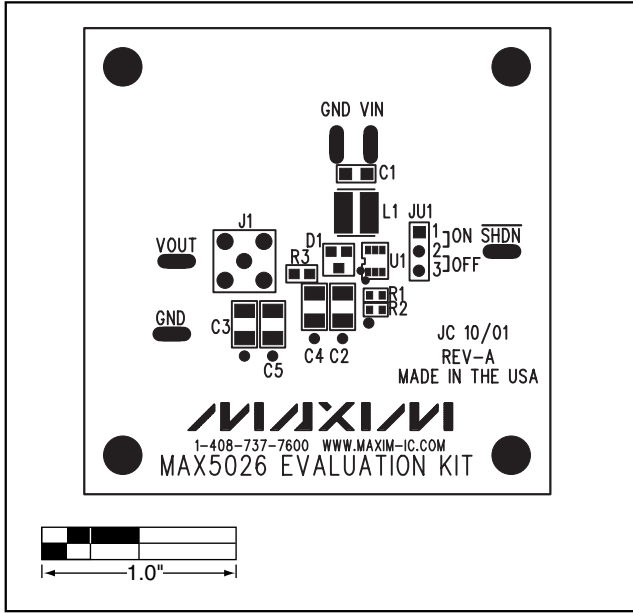


Figure 3. MAX5026 EV Kit Component Placement Guide—Top Silkscreen

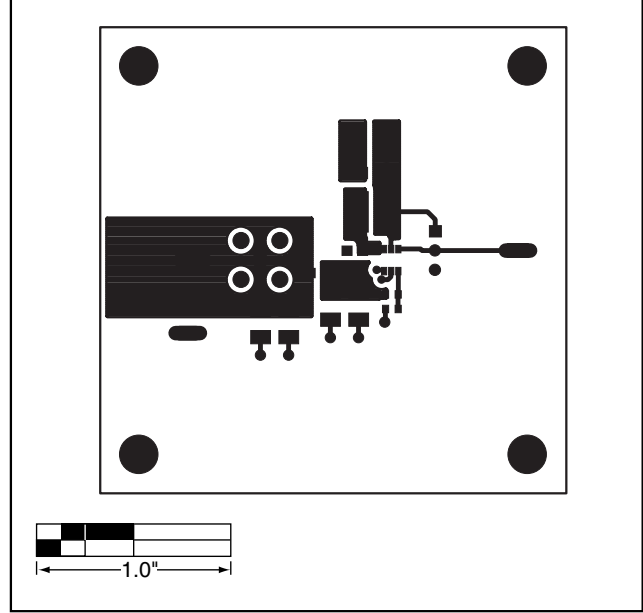


Figure 4. MAX5026 EV Kit PC Board Layout—Component Side

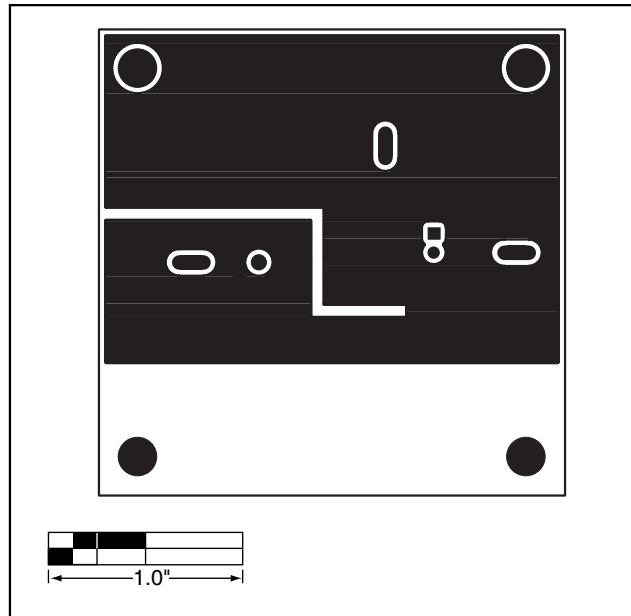


Figure 5. MAX5026 EV Kit PC Board Layout—Solder Side

Maxim cannot assume responsibility for use of any circuitry other than circuitry entirely embodied in a Maxim product. No circuit patent licenses are implied. Maxim reserves the right to change the circuitry and specifications without notice at any time.

4 **Maxim Integrated Products, 120 San Gabriel Drive, Sunnyvale, CA 94086 408-737-7600**