

MC14415

Quad Precision Timer/Driver

MC14415 quad timer/driver is constructed with complementary MOS enhancement mode devices. The output pulse width of each digital timer is a function of the input clock frequency. Once the proper input sequence is detected the output buffer is set (turned on), and after 100 clock pulses are counted, the output buffer is reset (turned off).

The MC14415 was designed specifically for application in high speed line printers to provide the critical timing of the hammer drivers, but may be used in many applications requiring precision pulse widths.

- Four Precision Digital Time Delays
- Schmitt Trigger Clock Conditioning
- NPN Bipolar Output Drivers
- Timing Disable Capability Using Inhibit Output
- Positive or Negative Edge Strobing on the Inputs
- Synchronous Polynomial Counters Used for Delay Counting

MAXIMUM RATINGS* (Voltages Referenced to V_{SS})

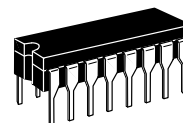
Rating	Symbol	Value	Unit
DC Supply Voltage MC14415FL, FP,DW MC14415VL, VP	V _{DD}	- 0.5 to + 18.0 - 0.5 to + 6.0	V
Input or Output Voltage (DC or Transient)	V _{in} , V _{out}	- 0.5 to V _{DD} + 0.5	V
Input Current (DC or Transient), per Pin	I _{in}	± 10	mA
Output Current (DC or Transient), per Pin	I _{out}	± 20	mA
Power Dissipation, per Package†	P _D	500	mW
Storage Temperature	T _{stg}	- 65 to + 150	°C
Lead Temperature (8-Second Soldering)	T _L	260	°C

* Maximum Ratings are those values beyond which damage to the device may occur.

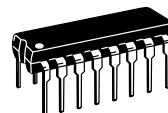
† Temperature Derating:

Plastic "P and D/DW" Packages: - 7.0 mW/°C From 65°C To 125°C

Ceramic "L" Packages: - 12 mW/°C From 100°C To 125°C



L SUFFIX
CERAMIC
CASE 620



P SUFFIX
PLASTIC
CASE 648



DW SUFFIX
SOIC
CASE 751G

ORDERING INFORMATION

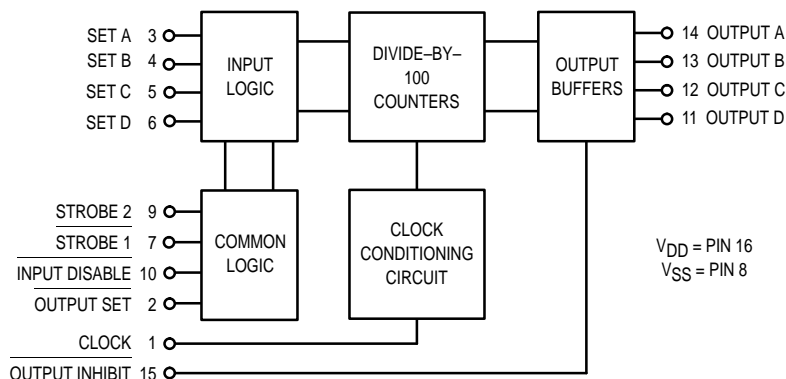
MC14415FP (3.0 V-18 V)	Plastic
MC14415VP (3.0 V-6.0 V)	Plastic
MC14415FL (3.0 V-18 V)	Ceramic
MC14415VL (3.0 V-6.0 V)	Ceramic
MC14415DW (3.0 V-18 V)	SOIC

T_A = - 55° to 125°C for all packages.

PIN ASSIGNMENT

CLOCK	1	16	V _{DD}
SET	2	15	INH
SET A	3	14	OUT A
SET B	4	13	OUT B
SET C	5	12	OUT C
SET D	6	11	OUT D
ST 1	7	10	DIS
V _{SS}	8	9	ST 2

BLOCK DIAGRAM



ELECTRICAL CHARACTERISTICS (Voltages Referenced to V_{SS})

Characteristic	Symbol	V _{DD} Vdc	- 55°C		25°C			125°C		Unit
			Min	Max	Min	Typ #	Max	Min	Max	
Output Voltage (No Load)	"0" Level V _{OL}	5.0	—	0.01	—	0	0.01	—	0.05	Vdc
		10	—	0.01	—	0	0.01	—	0.05	
		15	—	—	—	—	—	—	—	
	"1" Level V _{OH}	5.0	—	—	3.0	4.14	—	—	—	
		10	—	—	8.0	9.09	—	—	—	
		15	—	—	—	14.12	—	—	—	
Noise Immunity ($\Delta V_{out} \leq 1.5$ Vdc) ($\Delta V_{out} \leq 3.0$ Vdc) ($\Delta V_{out} \leq 4.5$ Vdc)	V _{NL}	5.0	1.5	—	1.5	2.25	—	1.4	—	Vdc
		10	3.0	—	3.0	4.50	—	2.9	—	
		15	—	—	—	6.75	—	—	—	
	V _{NH}	5.0	1.4	—	1.5	2.25	—	1.5	—	
		10	2.9	—	3.0	4.50	—	3.0	—	
		15	—	—	—	6.75	—	—	—	
Output Drive Voltage (NPN Driver) Source (I _{OH} = 0 mA) (I _{OH} = 5.0 mA) (I _{OH} = 10 mA) (I _{OH} = 15 mA)	V _{OH}	5.0	—	—	3.0	4.14	—	—	—	Vdc
			—	—	2.7	3.44	—	—	—	
			—	—	2.5	3.30	—	—	—	
			—	—	2.2	3.08	—	—	—	
	10	—	—	8.0	9.09	—	—	—	—	Vdc
		—	—	7.7	8.45	—	—	—		
		—	—	7.5	8.30	—	—	—		
		—	—	7.1	8.14	—	—	—		
	15	—	—	—	14.12	—	—	—	—	Vdc
		—	—	—	13.81	—	—	—	—	
		—	—	—	13.70	—	—	—	—	
		—	—	—	13.61	—	—	—	—	
Output Drive Current (V _{OL} = 0.4 Vdc) (V _{OL} = 0.5 Vdc) (V _{OL} = 1.5 Vdc)	Sink I _{OL}	5.0	0.23	—	0.2	0.78	—	0.16	—	mAdc
		10	0.60	—	0.5	2.0	—	0.40	—	
		15	—	—	—	7.8	—	—	—	
Input Leakage Current	I _{in}	15	—	± 0.3	—	± 0.00001	± 0.3	—	± 1.0	µAdc
Input Capacitance (V _{in} = 0)	C _{in}	—	—	—	—	5.0	—	—	—	pF
Quiescent Dissipation	P _Q	5.0	—	0.25	—	0.00005	0.25	—	3.5	mW
		10	—	1.0	—	0.00022	1.0	—	14	
		15	—	—	—	0.00050	—	—	—	
Power Dissipation** (Dynamic plus Quiescent) (C _L = 15 pF)	P _D	5.0	P _D (56 mW/MHz) f + P _Q							mW
		10	P _D (225 mW/MHz) f + P _Q							
		15	P _D (510 mW/MHz) f + P _Q							

#Data labelled "Typ" is not to be used for design purposes but is intended as an indication of the IC's potential performance.

**The formulas given are for the typical characteristics only.

This device contains protection circuitry to guard against damage due to high static voltages or electric fields. However, precautions must be taken to avoid applications of any voltage higher than maximum rated voltages to this high-impedance circuit. For proper operation, V_{in} and V_{out} should be constrained to the range V_{SS} ≤ (V_{in} or V_{out}) ≤ V_{DD}.

Unused inputs must always be tied to an appropriate logic voltage level (e.g., either V_{SS} or V_{DD}). Unused outputs must be left open.

SWITCHING CHARACTERISTICS* ($C_L = 15 \text{ pF}$, $T_A = 25^\circ\text{C}$)

Characteristic	Symbol	V _{DD} V _d c	Min	Typ #	Max	Unit
Output Rise Time $t_{TLH} = (2.0 \text{ ns/pF}) C_L + 10 \text{ ns}$ $t_{TLH} = (1.25 \text{ ns/pF}) C_L + 6 \text{ ns}$ $t_{TLH} = (1.10 \text{ ns/pF}) C_L + 3 \text{ ns}$	t_{TLH}	5.0 10 15	— — —	40 25 20	85 60 —	ns
Output Fall Time $t_{THL} = (1.5 \text{ ns/pF}) C_L + 47 \text{ ns}$ $t_{THL} = (0.75 \text{ ns/pF}) C_L + 24 \text{ ns}$ $t_{THL} = (0.55 \text{ ns/pF}) C_L + 17 \text{ ns}$	t_{THL}	5.0 10 15	— — —	70 35 25	150 80 —	ns
Turn-Off Delay Time $t_{PLH} = (2.7 \text{ ns/pF}) C_L + 560 \text{ ns}$ $t_{PLH} = (1.2 \text{ ns/pF}) C_L + 282 \text{ ns}$ $t_{PLH} = (0.91 \text{ ns/pF}) C_L + 286 \text{ ns}$	t_{PLH}	5.0 10 15	— — —	600 300 150	1200 600 —	ns
Turn-On Delay Time $t_{PHL} = (2.4 \text{ ns/pF}) C_L + 564 \text{ ns}$ $t_{PHL} = (1.0 \text{ ns/pF}) C_L + 285 \text{ ns}$ $t_{PHL} = (0.75 \text{ ns/pF}) C_L + 289 \text{ ns}$	t_{PHL}	5.0 10 15	— — —	600 300 150	1200 600 —	ns
Turn-On Delay Time (Inhibit to Output)	t_{PHL}	5.0 10 15	— — —	300 225 110	550 425 —	ns
Turn-Off Delay Time (Inhibit to Output)	t_{PLH}	5.0 10 15	— — —	300 225 110	550 425 —	ns
Input Pulse Coincidence (Figure 3)	PC _{min}	5.0 10 15	500 450 —	450 350 —	— — —	ns
Input Pulse Width (Figure 1)	t_{WH}	5.0 10 15	500 450 —	450 350 —	— — —	ns
Input Clock Frequency	f_{cl}	5.0 10 15	— — —	0.7 1.0 1.5	— — —	MHz
Clock Input Rise and Fall Times (Figure 1)	t_{TLH} , t_{THL}	5.0 10 15	— — —	— — —	15 5.0 4.0	μs

* The formulas given are for the typical characteristics only at 25°C.

#Data labelled "Typ" is not to be used for design purposes but is intended as an indication of the IC's potential performance.

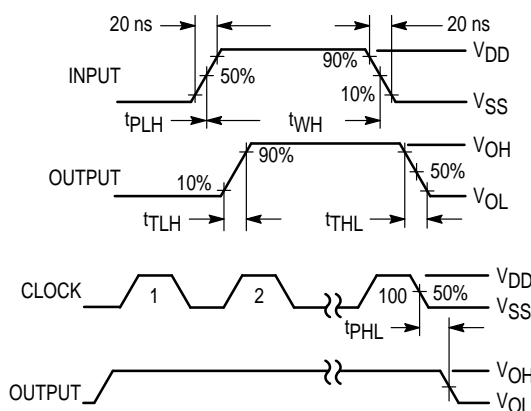
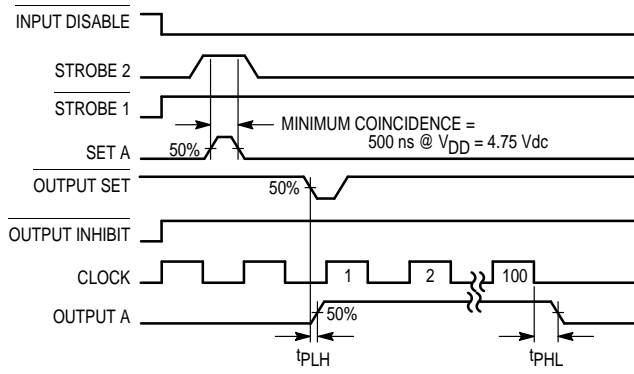
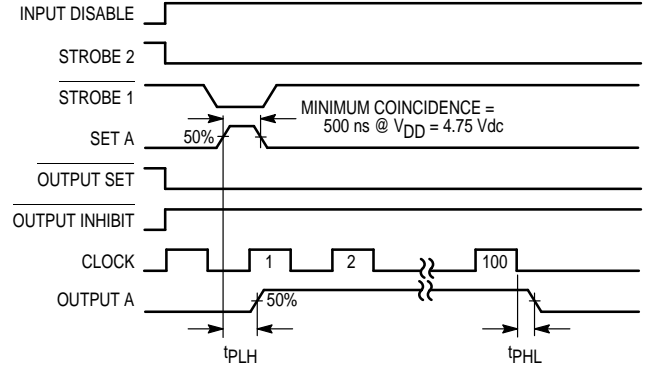


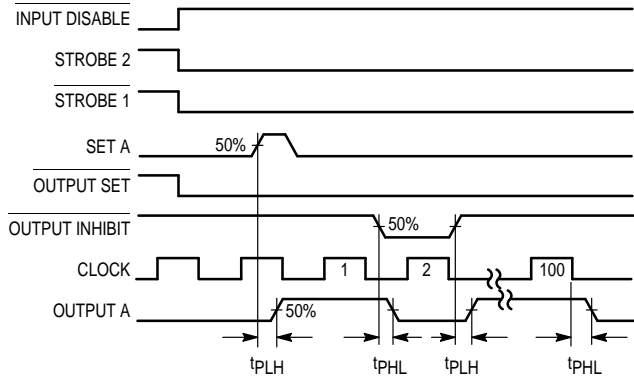
Figure 1. Switching Characteristics — Waveform Relationships



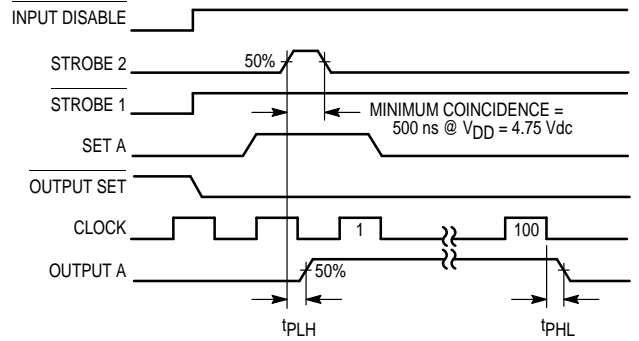
Mode 1: OUTPUT SET Initiates Time Delay



Mode 2: Set A Initiates Time Delay



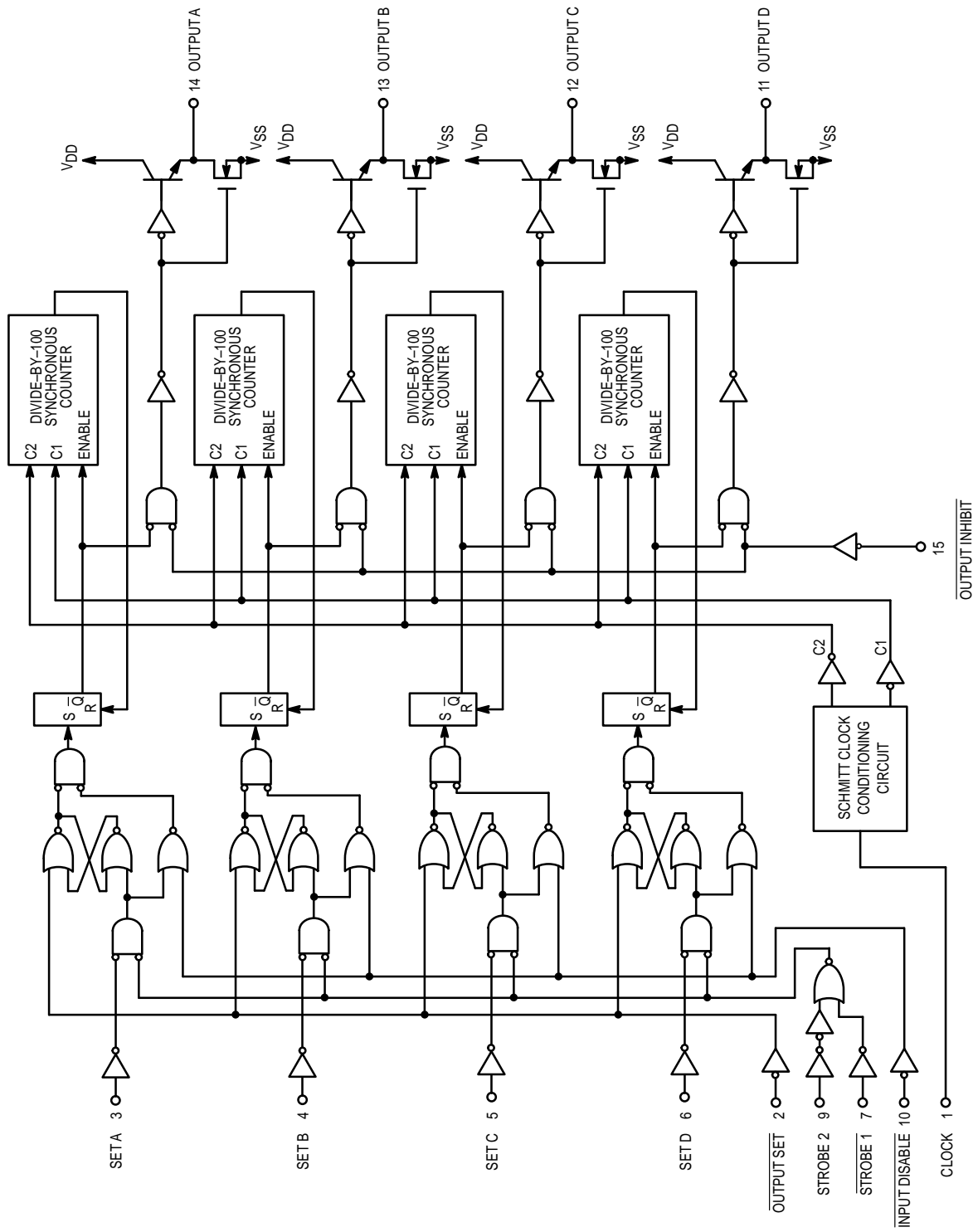
Mode 3: OUTPUT INHIBIT Disables Time Delay



Mode 4: Positive-Edge Strobe (ST2) Initiates Time Delay

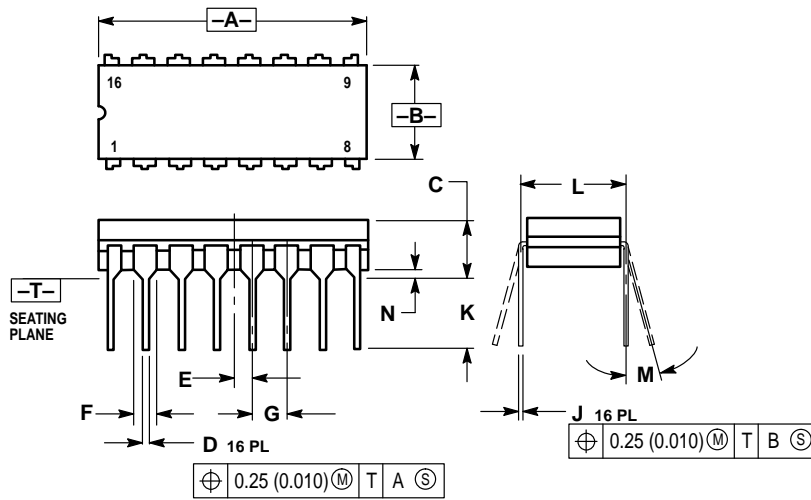
Figure 2. Typical Operation Modes and Functional Timing Diagram

LOGIC DIAGRAM



OUTLINE DIMENSIONS

L SUFFIX CERAMIC DIP PACKAGE CASE 620-10 ISSUE V

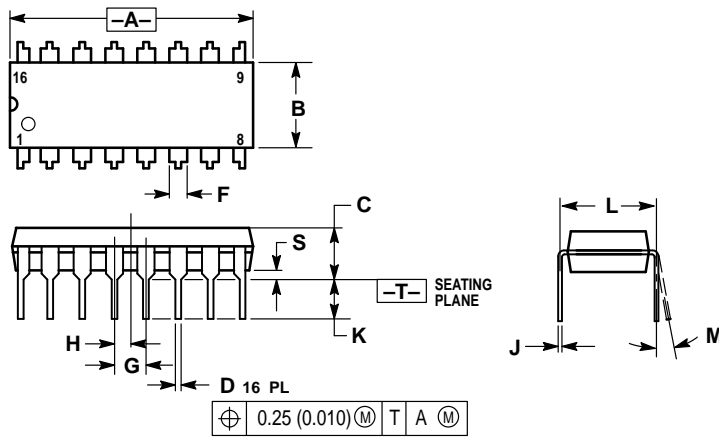


NOTES:

1. DIMENSIONING AND TOLERANCING PER ANSI Y14.5M, 1982.
2. CONTROLLING DIMENSION: INCH.
3. DIMENSION L TO CENTER OF LEAD WHEN FORMED PARALLEL.
4. DIMENSION F MAY NARROW TO 0.76 (0.030) WHERE THE LEAD ENTERS THE CERAMIC BODY.

DIM	INCHES		MILLIMETERS	
	MIN	MAX	MIN	MAX
A	0.750	0.785	19.05	19.93
B	0.240	0.295	6.10	7.49
C	—	0.200	—	5.08
D	0.015	0.020	0.39	0.50
E	0.050 BSC		1.27 BSC	
F	0.055	0.065	1.40	1.65
G	0.100 BSC		2.54 BSC	
H	0.008	0.015	0.21	0.38
K	0.125	0.170	3.18	4.31
L	0.300 BSC		7.62 BSC	
M	0°	15°	0°	15°
N	0.020	0.040	0.51	1.01

P SUFFIX PLASTIC DIP PACKAGE CASE 648-08 ISSUE R



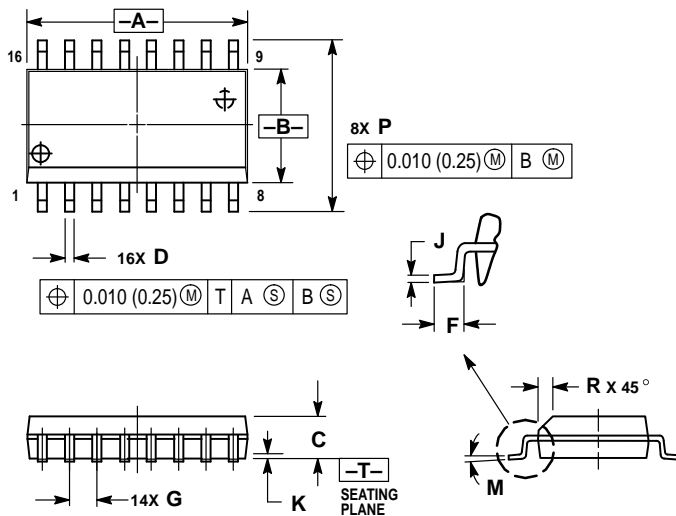
NOTES:

1. DIMENSIONING AND TOLERANCING PER ANSI Y14.5M, 1982.
2. CONTROLLING DIMENSION: INCH.
3. DIMENSION L TO CENTER OF LEADS WHEN FORMED PARALLEL.
4. DIMENSION B DOES NOT INCLUDE MOLD FLASH.
5. ROUNDED CORNERS OPTIONAL.

DIM	INCHES		MILLIMETERS	
	MIN	MAX	MIN	MAX
A	0.740	0.770	18.80	19.55
B	0.250	0.270	6.35	6.85
C	0.145	0.175	3.69	4.44
D	0.015	0.021	0.39	0.53
F	0.040	0.70	1.02	1.77
G	0.100 BSC		2.54 BSC	
H	0.050 BSC		1.27 BSC	
J	0.008	0.015	0.21	0.38
K	0.110	0.130	2.80	3.30
L	0.295	0.305	7.50	7.74
M	0°	10°	0°	10°
S	0.020	0.040	0.51	1.01

OUTLINE DIMENSIONS

DW SUFFIX PLASTIC SOIC PACKAGE CASE 751G-02 ISSUE A



- NOTES:
1. DIMENSIONING AND TOLERANCING PER ANSI Y14.5M, 1982.
 2. CONTROLLING DIMENSION: MILLIMETER.
 3. DIMENSIONS A AND B DO NOT INCLUDE MOLD PROTRUSION.
 4. MAXIMUM MOLD PROTRUSION 0.15 (0.006) PER SIDE.
 5. DIMENSION D DOES NOT INCLUDE DAMBAR PROTRUSION. ALLOWABLE DAMBAR PROTRUSION SHALL BE 0.13 (0.005) TOTAL IN EXCESS OF D DIMENSION AT MAXIMUM MATERIAL CONDITION.

DIM	MILLIMETERS		INCHES	
	MIN	MAX	MIN	MAX
A	10.15	10.45	0.400	0.411
B	7.40	7.60	0.292	0.299
C	2.35	2.65	0.093	0.104
D	0.35	0.49	0.014	0.019
F	0.50	0.90	0.020	0.035
G	1.27 BSC		0.050 BSC	
J	0.25	0.32	0.010	0.012
K	0.10	0.25	0.004	0.009
M	0°	7°	0°	7°
P	10.05	10.55	0.395	0.415
R	0.25	0.75	0.010	0.029

Motorola reserves the right to make changes without further notice to any products herein. Motorola makes no warranty, representation or guarantee regarding the suitability of its products for any particular purpose, nor does Motorola assume any liability arising out of the application or use of any product or circuit, and specifically disclaims any and all liability, including without limitation consequential or incidental damages. "Typical" parameters which may be provided in Motorola data sheets and/or specifications can and do vary in different applications and actual performance may vary over time. All operating parameters, including "Typicals" must be validated for each customer application by customer's technical experts. Motorola does not convey any license under its patent rights nor the rights of others. Motorola products are not designed, intended, or authorized for use as components in systems intended for surgical implant into the body, or other applications intended to support or sustain life, or for any other application in which the failure of the Motorola product could create a situation where personal injury or death may occur. Should Buyer purchase or use Motorola products for any such unintended or unauthorized application, Buyer shall indemnify and hold Motorola and its officers, employees, subsidiaries, affiliates, and distributors harmless against all claims, costs, damages, and expenses, and reasonable attorney fees arising out of, directly or indirectly, any claim of personal injury or death associated with such unintended or unauthorized use, even if such claim alleges that Motorola was negligent regarding the design or manufacture of the part. Motorola and are registered trademarks of Motorola, Inc. Motorola, Inc. is an Equal Opportunity/Affirmative Action Employer.

How to reach us:
USA/EUROPE/Locations Not Listed: Motorola Literature Distribution;
 P.O. Box 20912; Phoenix, Arizona 85036. 1-800-441-2447 or 602-303-5454

JAPAN: Nippon Motorola Ltd.; Tatsumi-SPD-JLDC, 6F Seibu-Butsuryu-Center,
 3-14-2 Tatsumi Koto-Ku, Tokyo 135, Japan. 03-81-3521-8315

MFAX: RMFAX0@email.sps.mot.com – TOUCHTONE 602-244-6609
INTERNET: http://Design-NET.com

ASIA/PACIFIC: Motorola Semiconductors H.K. Ltd.; 8B Tai Ping Industrial Park,
 51 Ting Kok Road, Tai Po, N.T., Hong Kong. 852-26629298

