

□ MN15G0202 , MN15G0402

Type	MN15G0202	MN15G0402
ROM (x8-bit)	2 K	4 K
RAM (x4-bit)	128	128
Package (Conventional Package)	SOP020-P-0300D *Lead-free (SOP020-P-0300)	
Number of Instructions	103	
Minimum Instruction Execution Time	0.5 μs at 1/4 frequency dividing (at 3.0 V to 5.5 V, 8 MHz) 1.0 μs at 1/4 frequency dividing (at 2.4 V to 5.5 V, 4 MHz) 2.0 μs at 1/8 frequency dividing (at 2.0 V to 5.5 V, 4 MHz)* * The lower limit for operation guarantee for EPROM built-in type is 2.3 V.	
Interrupts	• RESET • IRQ1 • IRQ2 • IRQ3	
Timer Counter	Timer counter 2 : 8-bit × 1 (pulse output, PWM output) Clock source 1/2, 1/8, 1/32, 1/128 of system clock; 1/1, 1/4, 1/16, 1/64 of OSC oscillation clock Timer counter 3 : 8-bit × 1 (pulse output, high-functional PWM output) Clock source 1/2 of system clock; 1/1, 1/2 ⁶ , 1/2 ¹⁴ of OSC oscillation clock Timer counter 2 can be cascade-connected. Watchdog timer	
I/O Pins	I/O	15 <ul style="list-style-type: none"> • Common use : 11 • Specified pull-up resistor available : 7 (software programmable) • Specified output architecture available : Nch open drain / push-pull : 11 (software programmable) • 4-ch. LED direct drive available (15 mA / 1.0 V)
A/D Inputs	10-bit × 4-ch. (with S/H)	
Zero-Cross Input	1	
Special Ports	Buzzer output (1 kHz, 2 kHz, 4 kHz : fosc = at 4 MHz)	
Notes	Auto-Reset circuit selectable (none, circuit 1, circuit 2) (mask option)	

Electrical Characteristics

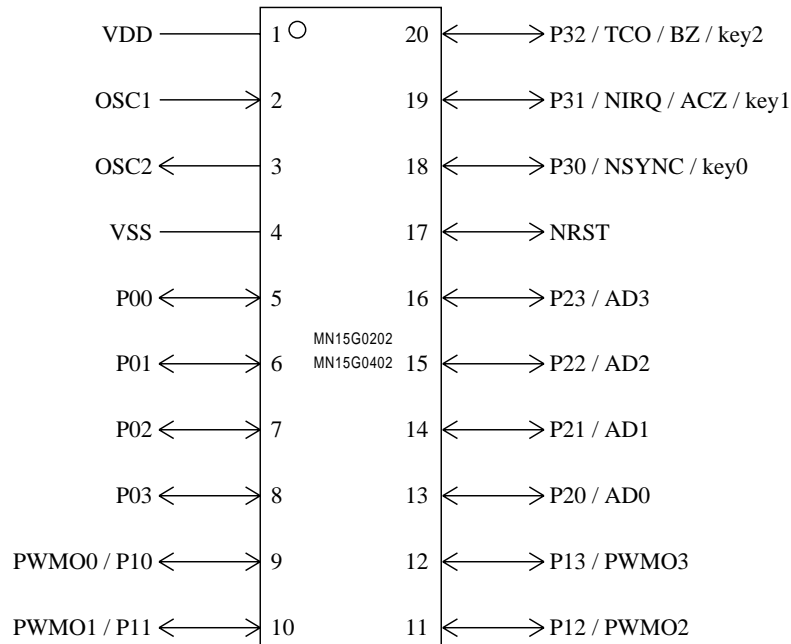
Supply current

Parameter	Symbol	Condition	Limit			Unit
			min	typ	max	
Operating supply current	IDD1	fosc = 8 MHz (1/8 dividing)		1.5	3.0	mA
	IDD2	fosc = 4 MHz (1/8 dividing)		1.2	2.5	mA
Supply current at HALT	IDD3	fosc = 4 MHz (1/8 dividing)		0.3	0.6	mA
Supply current at SOTP	IDD4	ACZ = 1/2 VDD, Ta = 25°C		3.0	10.0	μA
	IDD5	ACZ = 1/2 VDD, Ta = -40°C to +85°C			20.0	μA
	IDD6	Ta = 25°C			1.0	μA
	IDD7	Ta = -40°C to +85°C			5.0	μA
Auto reset current consumption	IDD8			4.0	8.0	μA

(Ta = -40°C to +85°C, VDD = 5.0 V, VSS = 0 V)

Pin Assignment

() : Conventional Package



SOP020-P-0300D *Lead-free
(SOP020-P-0300)

Support Tool

In-circuit Emulator	PX-ICE1500 + PX-PRB15G0202 / 0402-SOP020-P-0300	
EPROM Built-in Type	Type	MN15GP0402 [ES (Engineering Sample) available]
Note) • Because of a special writing system, only a particular writer model manufactured by Data I/O is applicable. • The mask option applies only to no auto reset circuit. (No other options are set.)	ROM (× 8-bit)	4 K
	RAM (× 4-bit)	128
	Minimum instruction execution time	0.5 μs at 1/4 frequency dividing (at 3.0 V to 5.5 V, 8 MHz) 1.0 μs at 1/4 frequency dividing (at 2.4 V to 5.5 V, 4 MHz) 2.0 μs at 1/8 frequency dividing (at 2.3 V to 5.5 V, 4 MHz)
	Package	SOP020-P-0300D *Lead-free
	(Conventional Package)	(SOP020-P-0300)

Request for your special attention and precautions in using the technical information and semiconductors described in this material

- (1) An export permit needs to be obtained from the competent authorities of the Japanese Government if any of the products or technologies described in this material and controlled under the "Foreign Exchange and Foreign Trade Law" is to be exported or taken out of Japan.
- (2) The technical information described in this material is limited to showing representative characteristics and applied circuits examples of the products. It neither warrants non-infringement of intellectual property right or any other rights owned by our company or a third party, nor grants any license.
- (3) We are not liable for the infringement of rights owned by a third party arising out of the use of the product or technologies as described in this material.
- (4) The products described in this material are intended to be used for standard applications or general electronic equipment (such as office equipment, communications equipment, measuring instruments and household appliances).
Consult our sales staff in advance for information on the following applications:
 - Special applications (such as for airplanes, aerospace, automobiles, traffic control equipment, combustion equipment, life support systems and safety devices) in which exceptional quality and reliability are required, or if the failure or malfunction of the products may directly jeopardize life or harm the human body.
 - Any applications other than the standard applications intended.
- (5) The products and product specifications described in this material are subject to change without notice for modification and/or improvement. At the final stage of your design, purchasing, or use of the products, therefore, ask for the most up-to-date Product Standards in advance to make sure that the latest specifications satisfy your requirements.
- (6) When designing your equipment, comply with the guaranteed values, in particular those of maximum rating, the range of operating power supply voltage, and heat radiation characteristics. Otherwise, we will not be liable for any defect which may arise later in your equipment.
Even when the products are used within the guaranteed values, take into the consideration of incidence of break down and failure mode, possible to occur to semiconductor products. Measures on the systems such as redundant design, arresting the spread of fire or preventing glitch are recommended in order to prevent physical injury, fire, social damages, for example, by using the products.
- (7) When using products for which damp-proof packing is required, observe the conditions (including shelf life and amount of time let standing of unsealed items) agreed upon when specification sheets are individually exchanged.
- (8) This material may be not reprinted or reproduced whether wholly or partially, without the prior written permission of Matsushita Electric Industrial Co., Ltd.