



# LB8632V

## Low-Voltage/Low-Saturation Camera Motor Driver

### Overview

The LB8632V is a general-purpose camera motor driver IC that supports low-saturation output and low-voltage drive and thus can be used in a wide range of applications. The LB8632V is a miniature thin form-factor IC that provides circuit structures and I/O logic that reduce development times and costs and support reduced lot sizes and end product diversity, despite increasing miniaturization and functionality in application products. Since the LB8632V supports low-voltage operation (starting from 1.2 V) in addition to low-saturation outputs, it provides characteristics that can withstand operation in low-voltage ranges even in 3 V popularly-priced cameras that do not include a step-up circuit. Since the LB8632V supports IIL, control logic can be optimized by using two ICs in parallel, thus allowing even more actuators to be driven with a small number of CPU output ports. Thus the LB8632V can also be used in 6 V top-of-the-line end products.

### Features

- 3, 6 V and a wide application range: from popularly priced models to top-of-the-line products  
The external transistors and the number of ICs (one or two) is determined by the number of IC required motors and actuators.  
Support for motor standby, forward, reverse and braking control for four motors using only five CPU port lines. This requires two external transistors and two ICs. The LB8632V also provides non-operating mode logic for the operating control signals (the IN input) so that ICs with other functions can be used on the same ports.
- Built-in 1 CH low-voltage drive low-saturation, forward/reverse motor drive

$I_O$  peak = 3.0 A maximum ( $t \leq 100$  ms: single shot, between OUT1 and OUT2)

$I_O$  DC = 1.0 A maximum

$V_O$  sat = 0.45 V typical (at  $I_O = 1$  A)

Operating voltage range:  $V_B = 1.2$  to  $7.5$  V ( $V_B = V_S = V_{DD}$  = battery voltage)

- Built-in low-voltage drive - 0.5 CH forward/reverse motor driver

Supports 1.5 CH bridge operation with the use of two external transistors. Also supports LED or solenoid drive with constant-current drive.

Operating voltage range:  $V_B = 1.2$  to  $7.5$  V ( $V_B = V_S = V_{DD}$  = battery voltage)

- Built-in regulator predriver

$V_{CC}$  can be regulated at 1.86 V by connecting the  $V_{CC}$  control pin ( $V_{CONT}$ ) to the reference voltage,  $V_{REF}$  (1.36 V). Also, the  $V_{CC}$  output voltage can be varied by inputting the CPU D/A output to  $V_{CONT}$ .

Either the IC itself or only the  $V_{CC}$  regulator can be turned on according to the operating mode of each motor.

In addition, this function can also be used as a battery check comparator.

Operating voltage range:  $V_B = 1.5$  to  $7.5$  V

- Three independent power supply line systems

The LB8632V supports either single supply specifications ( $V_B = V_S = V_{DD}$ ) or dual supply specifications (battery/step-up supply) by providing a power supply voltage pin ( $V_B$ ), a motor supply pin ( $V_S$ ), and a CPU interface pin ( $V_{DD}$ ). Also, motor output can be stabilized by taking the motor power supply from the  $V_{CC}$  regulator.

Support for both CMOS and n-channel open drain outputs from the CPU.

■ Any and all SANYO products described or contained herein do not have specifications that can handle applications that require extremely high levels of reliability, such as life-support systems, aircraft's control systems, or other applications whose failure can be reasonably expected to result in serious physical and/or material damage. Consult with your SANYO representative nearest you before using any SANYO products described or contained herein in such applications.

■ SANYO assumes no responsibility for equipment failures that result from using products at values that exceed, even momentarily, rated values (such as maximum ratings, operating condition ranges, or other parameters) listed in products specifications of any and all SANYO products described or contained herein.

**SANYO Electric Co.,Ltd. Semiconductor Company**

TOKYO OFFICE Tokyo Bldg., 1-10, 1 Chome, Ueno, Taito-ku, TOKYO, 110-8534 JAPAN

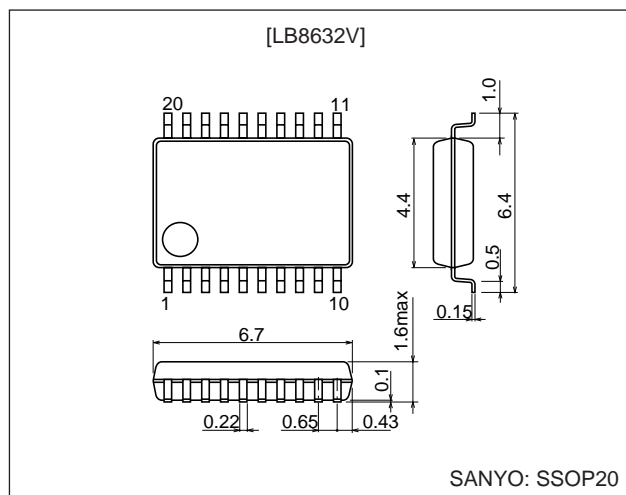
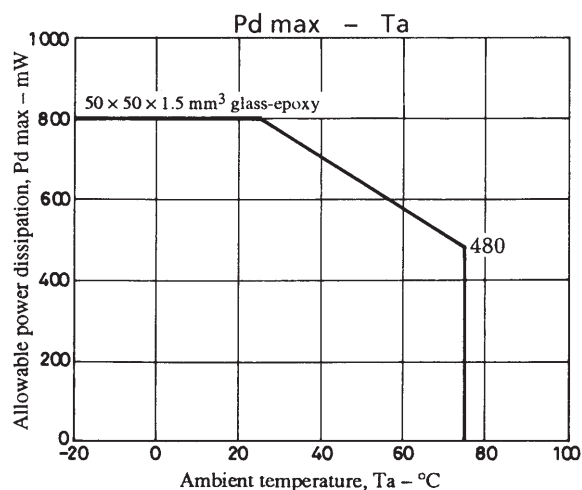
21800RM (OT)/43097HA (OT)/52995HA (OT) No. 5161-1/18

- Built-in thermal protection circuit  
This circuit limits the output current if the IC overheats due to excessive loading or an output short and thus prevents the destruction of the IC.
- Provided in the miniature ultrathin SSOP-20 package (6.4 × 6.5 × 1.6 mm)

### Package Dimensions

unit: mm

#### 3179A-SSOP20



## Specifications

### Absolute Maximum Ratings at Ta = 25°C

Parameter	Symbol	Conditions	Ratings	Unit
Maximum supply voltage	V <sub>B</sub> max		8.0	V
	V <sub>S</sub> max		8.0	V
	V <sub>DD</sub> max		8.0	V
Output current	I <sub>O</sub> max	Between OUT1 and OUT2 (t ≤ 100 ms, single pulse)	3.0	A
Output supply voltage	V <sub>OUT1</sub>	OUT1, OUT2	V <sub>S</sub> + V <sub>F</sub>	V
	V <sub>OUT2</sub>	OUT3N, OUT3P	V <sub>S</sub>	V
	V <sub>OUT3</sub>	V <sub>REF</sub>	V <sub>B</sub>	V
Input supply voltage	V <sub>IN1</sub>	MD0 to MD2, IN1, IN2	V <sub>DD</sub>	V
	V <sub>C</sub>	V <sub>CONT</sub>	V <sub>B</sub>	V
Allowable power dissipation	Pd max	Mounted on a 50 × 50 × 1.5 mm <sup>3</sup> glass-epoxy printed circuit board	800	mW
Operating temperature	T <sub>opr</sub>		-20 to +75	°C
Storage temperature	T <sub>stg</sub>		-55 to +150	°C

Parameter	Symbol	Conditions	min	typ	max	Unit	Note
Standby current	I <sub>B STB</sub>	V <sub>B</sub> = 7.5 V		0.1	1	μA	1
[DC motor system]							
Operating voltage range 1	V <sub>B1</sub>	V <sub>B</sub> system	1.2		7.5	V	2
	V <sub>S1</sub>	V <sub>B</sub> system	1.0		V <sub>B</sub>	V	3
Output saturation voltage (pnp + npn)	V <sub>sat</sub>	I <sub>O</sub> = 600 mA, V <sub>B</sub> = V <sub>S</sub> = V <sub>DD</sub> = 1.8 V		0.30	0.45	V	4
	V <sub>sat</sub>	I <sub>O</sub> = 1000 mA		0.45	0.65	V	4
Lower side output saturation voltage	V <sub>satN</sub>	I <sub>O</sub> = 600 mA		0.15	0.25	V	24
Spark killer diode forward voltage	V <sub>F</sub>	I <sub>F</sub> = 600 mA		0.9	1.4	V	25
Output constant current	I <sub>B</sub> <sup>+</sup>	OUT3P	-15	-20	-28	mA	5
	I <sub>B</sub> <sup>-</sup>	OUT3N	15	20	28	mA	5
Operating current drain 1	I <sub>B1</sub>	V <sub>B</sub> + V <sub>S</sub> (maximum forward/reverse/braking drive)		80	98	mA	6
Operating current drain 2	I <sub>B2</sub>	V <sub>B</sub> + V <sub>S</sub> (standby in drive mode)		5.0	8.0	mA	7
Operating current drain 3	I <sub>B3</sub>	V <sub>B</sub> + V <sub>S</sub> (maximum single side drive)		50	70	mA	8

## LB8632V

### Electrical Characteristics at $T_a = 25^\circ\text{C}$ , $V_B = V_S = V_{DD} = 3.0\text{ V}$

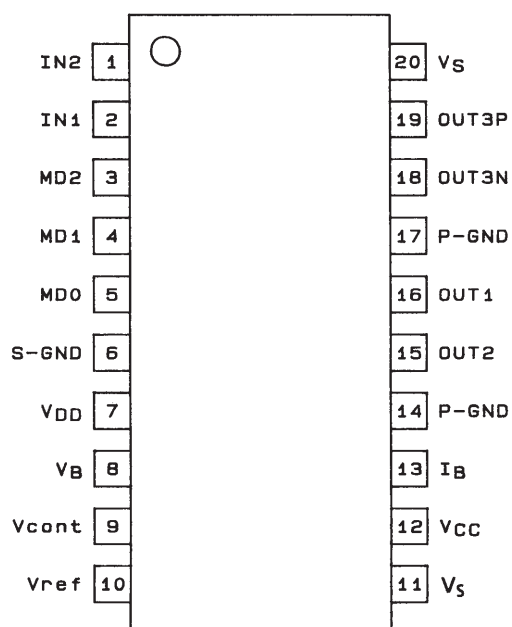
Parameter	Symbol	Conditions	min	typ	max	Unit	Note
[V <sub>REF</sub> system]							
Operating voltage range 2	V <sub>B2</sub>		1.5		7.5	V	9
V <sub>CONT</sub> input voltage range	V <sub>CR</sub>		0		V <sub>B</sub>	V	10
V <sub>REF</sub> voltage	V <sub>REF</sub>	I <sub>REF</sub> = 10 μA	1.29	1.36	1.43	V	11
I/O voltage ratio	O <sub>IR</sub>	V <sub>CC</sub> /V <sub>CONT</sub>	1.35	1.37	1.39	Times	12
Minimum constant output voltage	V <sub>CC</sub> min			0.8	0.9	V	13
Regulator voltage	V <sub>REG</sub>	V <sub>REF</sub> = V <sub>CONT</sub> , C2 = 10 μA	1.76	1.86	1.96	V	14
I <sub>B</sub> pin sink current	I <sub>IB</sub>		8.0			mA	26
Line regulation	ΔV <sub>OLN</sub>	2.0 V ≤ V <sub>B</sub> ≤ 7.5 V		10	20	mV	15
Load regulation	ΔV <sub>OLD</sub>	50 mA ≤ I <sub>CC</sub> ≤ 500 mA		20	50	mV	16
V <sub>CONT</sub> input current	I <sub>VC</sub>				1	μA	17
Operating current drain 4	I <sub>B4</sub>	V <sub>B</sub> system		5.0	8.0	mA	18
[V <sub>DD</sub> control input system]							
V <sub>DD</sub> voltage range	V <sub>DR</sub>		1.2		7.5	V	19
Control pin input current	I <sub>INL</sub>	V <sub>INL</sub> = GND, V <sub>DD</sub> = 3 V		-120	-150	μA	20
	I <sub>INH</sub>	V <sub>INH</sub> = V <sub>DD</sub> , V <sub>DD</sub> = 3 V	-3		0	μA	20
Input low-level voltage	V <sub>IL</sub>		-0.3		V <sub>DD</sub> - 1.0	V	21
Input high-level voltage	V <sub>IH</sub>		V <sub>DD</sub> - 0.3		V <sub>DD</sub>	V	21
Operating current drain	I <sub>VD</sub>	MD0, MD1, MD2, IN1 and IN2 = GND, V <sub>DD</sub> = 5 V	1.7	2.2	2.7	mA	22
Thermal protection operating temperature	T <sub>SD</sub>	Design target value		180		°C	23

Note: There are no limitations on the magnitude relationships between the V<sub>B</sub>, V<sub>S</sub> and V<sub>DD</sub> supply voltages.

1. Stipulates the total leakage current for V<sub>B</sub> = V<sub>S</sub> = V<sub>DD</sub> when the IC is in standby mode.
2. Stipulates the operating range voltages (for guaranteed functionality) when a single power supply with V<sub>B</sub> = V<sub>S</sub> = V<sub>DD</sub> is used for the DC motor system.
3. Stipulates the operating range voltages (for guaranteed functionality) for the DC motor system V<sub>S</sub> pin, i.e., the motor power supply. The drive current will be a constant current when V<sub>B</sub> = V<sub>S</sub> = 2.0 V or higher.
4. Stipulates the output saturation voltage when either the DC motor driver V<sub>B</sub> = V<sub>S</sub> = V<sub>DD</sub> = 1.8 V and the output current is 600 mA or when V<sub>B</sub> = V<sub>S</sub> = V<sub>DD</sub> = 3.0 V and the output current is 1000 mA.
5. Stipulates the current emitted or accepted by the OUT3P and OUT3N pins. These are constant currents as long as V<sub>B</sub> = V<sub>S</sub> = 2.0 V or higher.
6. Stipulates the maximum total current drain for the V<sub>B</sub> and V<sub>S</sub> pins for the forward, reverse, or brake operations when drive between the DC motor system OUT1 and OUT2 outputs is used.
7. Stipulates the maximum total current drain for the V<sub>B</sub> and V<sub>S</sub> pins for the DC motor driver drive mode standby state.
8. Stipulates the maximum total current drain for the V<sub>B</sub> and V<sub>S</sub> pins for the DC motor driver single-sided drive mode, i.e. when a single output from the OUT1, OUT2, OUT3P and OUT3N pins is used.
9. Stipulates the operating voltage range (for guaranteed functionality) for the V<sub>REF</sub> circuit system.
10. Stipulates the input voltage range for the V<sub>cont</sub> pin. When a constant-voltage circuit is formed by adding an external transistor, the voltage is held constant by sensing the V<sub>CC</sub> pin.
11. Stipulates the reference voltage generated at the V<sub>REF</sub> pin.
12. Stipulates the ratio of the constant V<sub>CC</sub> pin voltage value to the V<sub>CONT</sub> pin input voltage.
13. Stipulates the minimum output voltage for the V<sub>CC</sub> pin constant voltage output. The voltage will only fall to this value, even when the V<sub>CONT</sub> pin is set to 0 V.
14. Stipulates the V<sub>CC</sub> pin stabilized output voltage when the V<sub>REF</sub> and V<sub>CONT</sub> pins are connected directly.
15. Stipulates the change in the value of the V<sub>CC</sub> voltage when V<sub>CC</sub> is set for constant voltage output and the V<sub>B</sub> voltage varies from 2 V to 7.5 V.
16. Stipulates the change in the value of the V<sub>CC</sub> voltage when V<sub>CC</sub> is set for constant voltage output and the load current varies from 50 mA to 500 mA.
17. Stipulates the V<sub>CONT</sub> pin input current in the range 0 V ≤ V<sub>CONT</sub> ≤ V<sub>B</sub> - 0.3 V. The value of the V<sub>CC</sub> output constant voltage can be varied by inputting the CPU D/A output.
18. Stipulates the V<sub>B</sub> system maximum current drain in all modes when the V<sub>CC</sub> output has no load.
19. Stipulates the operating voltage range (for guaranteed functionality) for the V<sub>DD</sub> pin. The V<sub>DD</sub> pin is connected either to the CPU power supply or V<sub>B</sub>.
20. Stipulates the input current and allowable leakage current for the control input pins: MD0, MD1, MD2, IN1 and IN2.
21. Stipulates the high and low input voltages for the control input pins: MD0, MD1, MD2, IN1 and IN2. (When input pins are open, they appear to be high-level inputs.)
22. Stipulates the V<sub>DD</sub> pin current drain when all the for the control input pins (MD0, MD1, MD2, IN1 and IN2) are at the ground level.
23. When the temperature exceeds the stipulated temperature, output current limitation is applied, thus protecting the IC. The stipulated temperature is a design target value and is not tested prior to shipment.
24. Stipulates the lower side output saturation voltage in the OUT1 and OUT2 braking modes (when I<sub>O</sub> = 600 mA).
25. Stipulates the OUT1 and OUT2 spark killer diode forward voltage (when I<sub>F</sub> = 600 mA).
26. Stipulates the minimum value of the I<sub>B</sub> pin sink current.

## LB8632V

### Pin Assignment



Note: Connect both P-GND pins and both  $V_S$  pins.

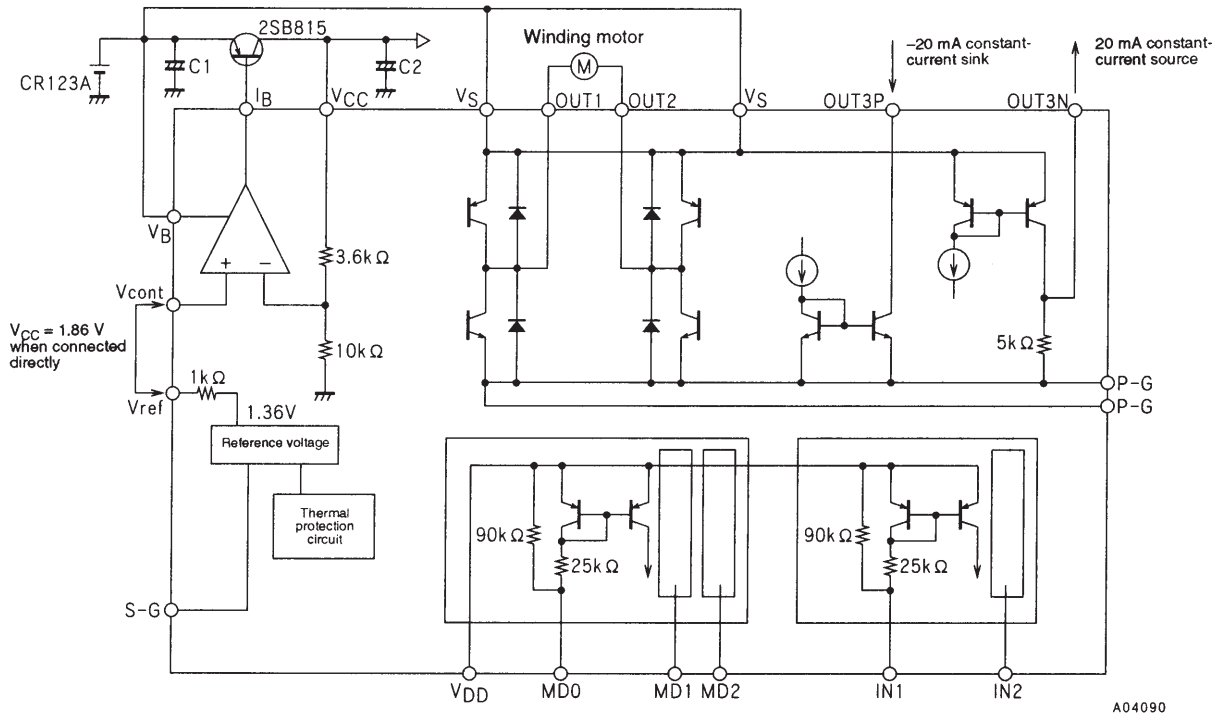
**A04089**

### Truth Table (active low)

MD			IN		OUT1	OUT2	OUT 3P 3N	$V_{CC}$	Note		
0	1	2	1	2							
H	H	H	—	—	—	—	—	—	Standby (zero current drain)		
H	H	L	H	H	—	—	—	On	Standby Forward Reverse Brake	Motor 1	
			H	L	L	H					
			L	H	H	L					
	L	L	L	L							
H	L	L	—	—	—	—	—	On	Standby Forward Reverse Brake	Motor 2	
			H	H	—	—					
			H	L	—	H					
	L	H	—	L							
L	H	L	—	—	—	—	—	On	Standby Forward Reverse Brake	Motor 4 External transistor	
			H	H	—	—					
			H	L	L	—					3P
			L	H	H	—					3N
	H	H	H	L	L	L	—	3N			
				—	—	—	—	—			
				H	H	—	—	3P			
				L	H	—	—	3N			
L	L	L	L	L	—	—	3N				
			—	—	—	—	—				
			H	L	—	—	3P				
			L	H	—	—	3N				

Note: The “—” entries for active-low/IN inputs are don't care states, and the “—” entries for OUT outputs are OFF states.  
See the sample application circuit for the motor number.

## Internal Block Diagram



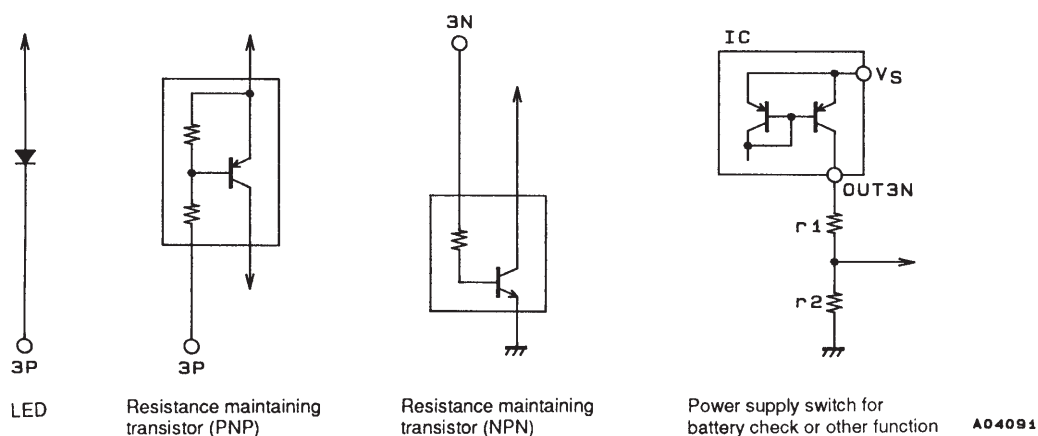
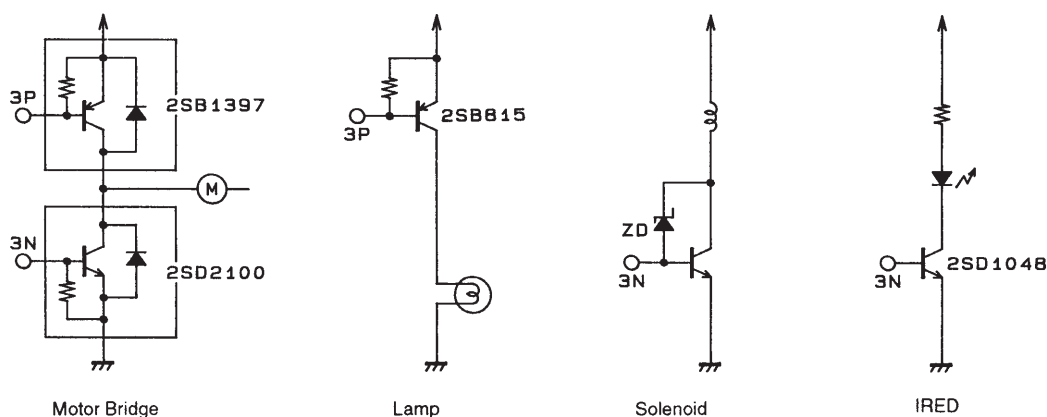
A04090

## Wiring Notes

1. Connect both the P-GND and both the V<sub>S</sub> pins. Although both the P-GND and V<sub>S</sub> lines are connected internally, both must be connected to provide currents of 1 A or over, or to provide even lower saturation output. However, operation with only one of each of these pairs connected, or with through power supply wiring, is possible.
2. Since large currents flow in the V<sub>S</sub> and P-GND lines, these lines should be made thicker, and line impedance reducing capacitors should be inserted in the vicinity of the IC.
3. Since S-GND is the ground for the control system, rather than using the same wiring as the P-GND line, it is preferable to connect this pin to the CPU ground line.
4. If the CPU outputs are CMOS outputs, connect V<sub>DD</sub> to the CPU power supply line and if they are n-channel open drain outputs, connect V<sub>DD</sub> to the V<sub>B</sub> pin (battery). However, since V<sub>DD</sub> is the control input system power supply, it should not be set to the same impedance as the V<sub>S</sub> line.

### Sample OUT3P/OUT3N Pin Applications

The OUT3P and OUT3N pins support  $-20\text{ mA}$  (typical) and  $20\text{ mA}$  (typical) constant current drive, respectively. Constant current is supported when  $V_B = V_S = 2.0\text{ V}$  or higher. A  $5\text{ k}\Omega$  shunt resistor between the OUT3P pin and ground is included within the IC. Inversely, the OUT3N pin is an open collector pin, and there is no resistor inserted between this pin and the  $V_S$  pin. A current limiting resistor (resistance maintaining transistor) may be inserted between the OUT3P and OUT3N pins and the external transistors. These pins can also be used for direct LED drive, battery check, or other power supply switching functions.



### Recommended Transistors

#### Low-saturation transistors

2SB815/2SD1048	CP	$I_O = 0.7\text{ A}$
2SB1120/2SD1620	PCP	$I_O = 2.5\text{ A}$

#### Transistors with spark killer diodes and E-B resistors

CPH3120, 2SD2324	CP	$I_O = 0.8\text{ A}$
2SB1397/2SD2100	PCP	$I_O = 2\text{ A}$

#### Transistors with resistors

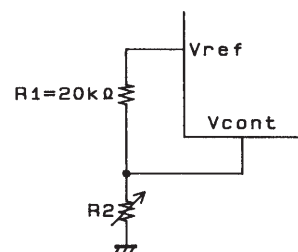
2SA1520/2SC3914	CP	$I_O = 0.5\text{ A}$
-----------------	----	----------------------

Sample  $I_B$  and  $V_{CC}$  Pin Applications

1. Stabilized Power Supply

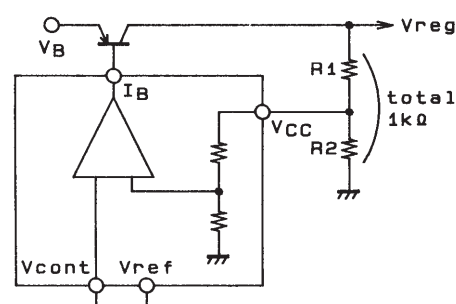
A low-saturation type stabilized power supply can be formed using an external pnp transistor (2SB815). This circuit has a wide operating voltage range of 1.5 to 7.5 V, and can supply stable power to other pins and loads. This circuit outputs a constant voltage 1.37 times the  $V_{cont}$  input voltage. A 1.86 V constant voltage output can be acquired by directly connecting the  $V_{REF}$  reference voltage (1.36 V) to the  $V_{cont}$  pin.

- This circuit sets up a constant voltage output of 1.86 V or lower. When  $R1$  is 20 k $\Omega$ , the output voltage can be set to any voltage between 0.8 and 1.86 V (typical) by adjusting  $R2$ .



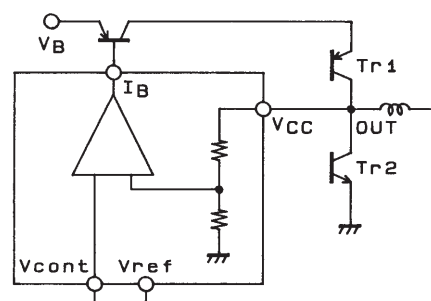
A04092

- This circuit sets up a constant voltage output of 1.86 V or higher. Taking the manufacturing variation in the IC internal sensing resistor (3.6 to 10 k $\Omega$ ) into account, the total resistance of the external sensing resistors ( $R1$  and  $R2$ ) should be about 1 k $\Omega$ . Example: A constant voltage output  $V_{REG}$  of 3.05 V is acquired when  $R1$  is 360  $\Omega$  and  $R2$  is 680  $\Omega$ .



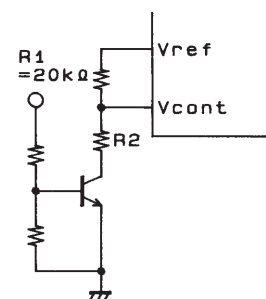
A04093

- Making the OUT pin output voltage a constant voltage. Connect the OUT pin, which is to be made a constant voltage output, to the  $V_{CC}$  pin. When one side of the bridge output is connected, when the connected side is a high-level output the circuit will be a constant voltage drive circuit, and when the other side is a high-level output the circuit will be a saturated drive circuit.



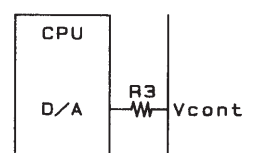
A04094

- Generating a hold voltage. This circuit uses a resistance maintaining transistor to lower the  $V_{CONT}$  input and generate a hold voltage. A 0.8 V (typical) hold voltage is acquired when  $R2$  is 0  $\Omega$ .



A04095

- Generating a set constant voltage for different modes. The  $V_{CONT}$  input has a high impedance of 1  $\mu$ A maximum, and thus the set constant voltage can be changed as required for each mode by inputting the CPU D/A converter output.

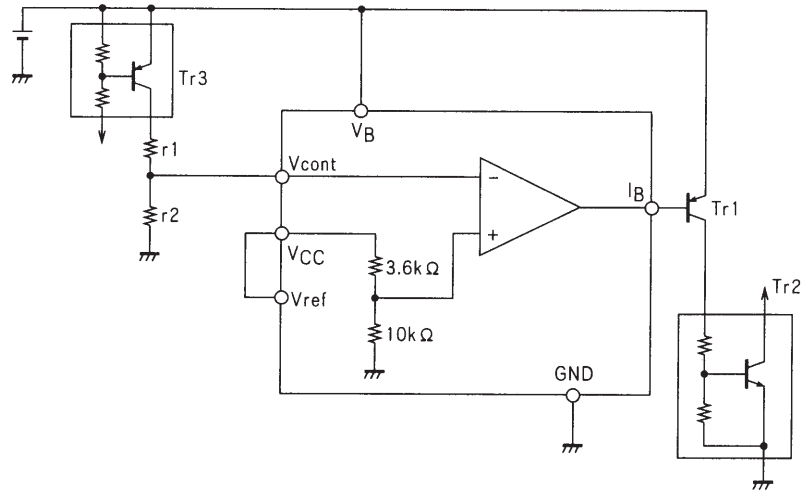


A04096

2. Battery Check

Tr2 will turn off when the Vcont input voltage, which is  $V_B \times \frac{r2}{r2 + r1}$ , falls to 0.95 V or lower.

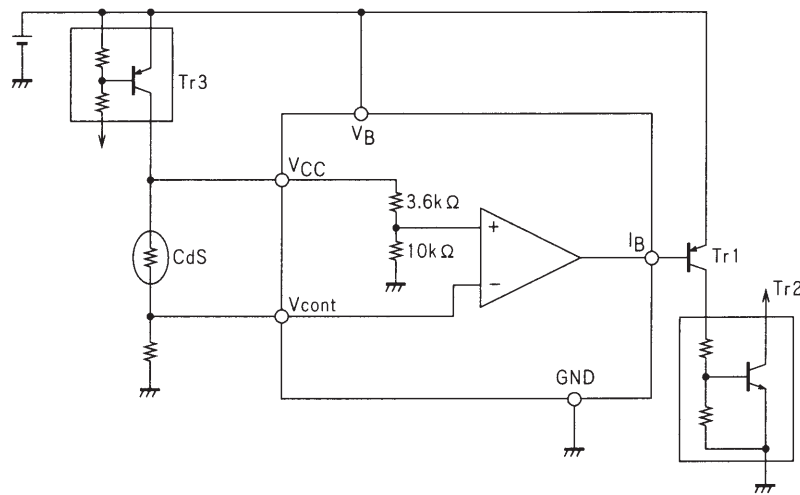
Example: This circuit can check for  $V_B$  being 2.0 V or lower by setting  $r1$  to be 22 k $\Omega$  and  $r2$  to be 20 k $\Omega$ . Note that the Tr3 transistor can also use the OUT3N output.



A04097

3. Light Measurement

Tr2 will turn on when the  $V_{CONT}$  input voltage becomes  $V_B \times 70\%$  ( $= 9 \text{ k}\Omega / (3.6 \text{ k}\Omega + 10 \text{ k}\Omega)$ ) or higher. Note that the Tr3 transistor can also use the OUT3N output.

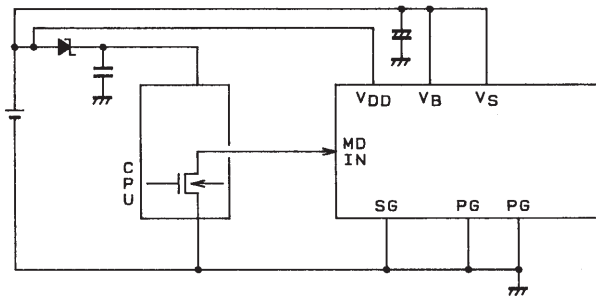


A04098



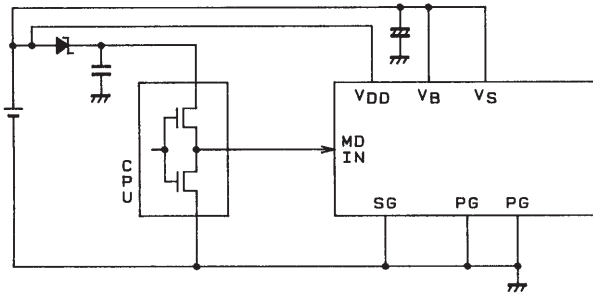
Power Supply Specifications

1. Single Supply Specifications



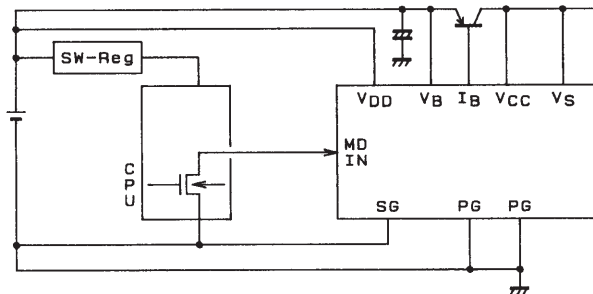
Since the  $V_{DD}$  line is the control input system line, it should not have the same impedance as the  $V_S$  line.

A04099



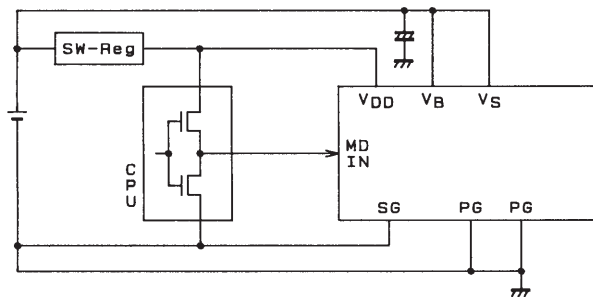
A04100

2. Step-Up Supply Specifications

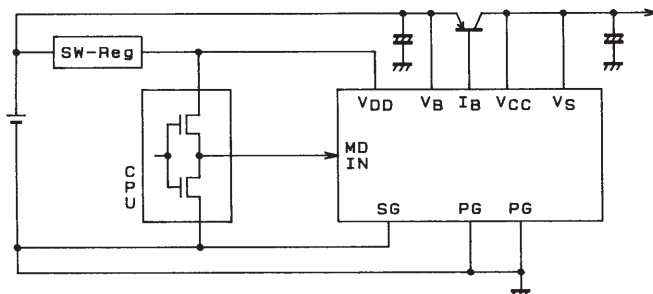


Voltage application conditions  
 $V_{CONT} \leq V_B$   
 $V_{IN}, V_{MD} \leq V_{DD}$   
 There are no limitations on the magnitude relationships between the  $V_B$ ,  $V_S$  and  $V_{DD}$  supply voltages.

A04101

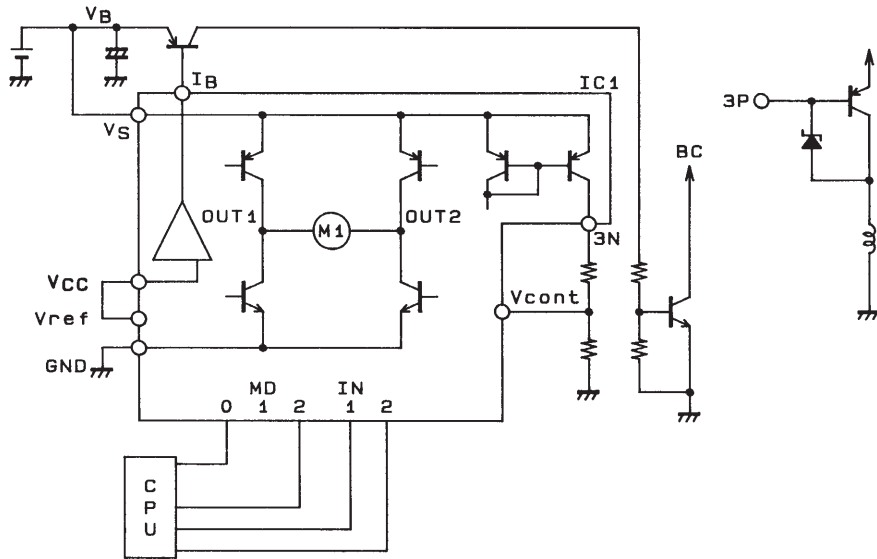


A04102



A04103

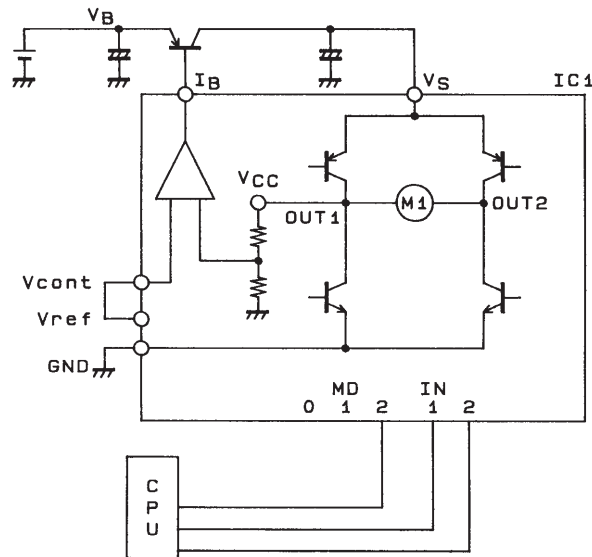
Sample Application 1



A04104

MD		Mode
0	2	
H	H	Standby (zero current drain)
H	L	Motor 1
L	H	Solenoid, battery check

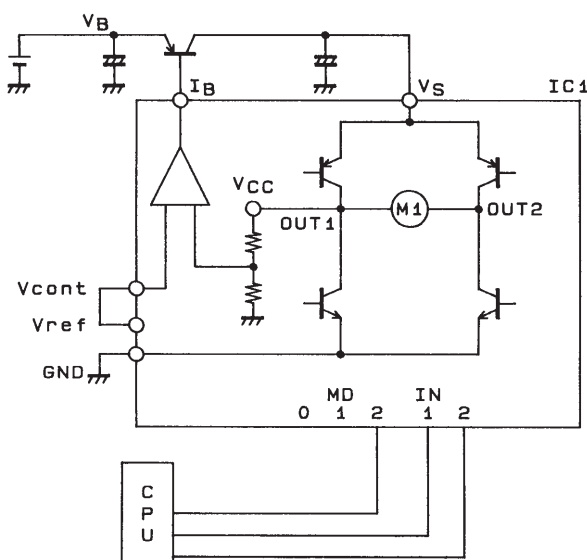
Sample Application 2



A04105

MD		Mode
2		
H		Standby (zero current drain)
L		Motor 1 (single-direction regulator output)

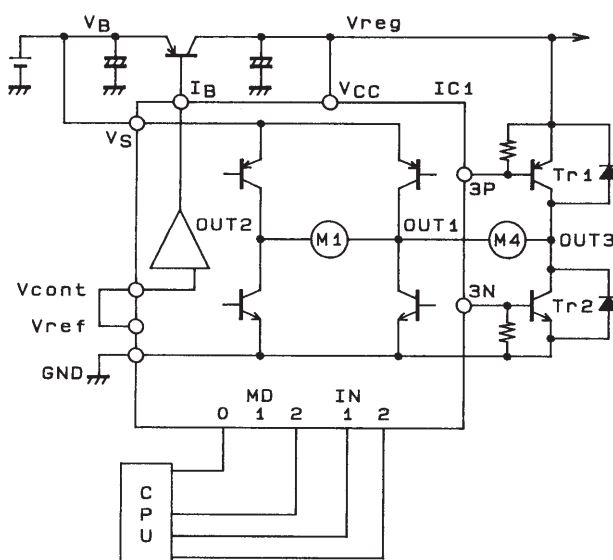
Sample Application 3



A04105

MD		Mode
0	2	
H	H	Standby (zero current drain)
H	L	Motor 1 (single-direction regulator output)
L	H	VS line saturated output (battery voltage switch)
L	L	Motor 4 (single-direction regulator output)

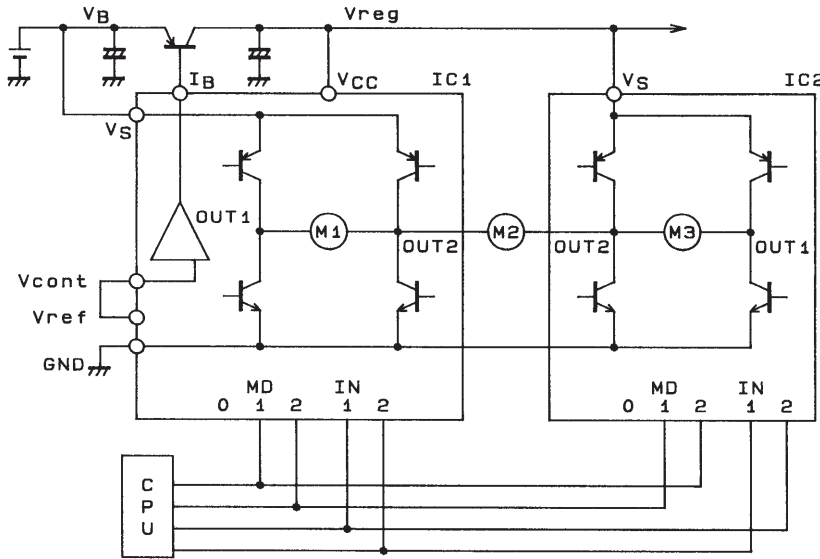
Sample Application 4



A04107

MD		Mode
0	2	
H	H	Standby (zero current drain)
H	L	Motor 1
L	H	Only the VCC regulator output on
L	L	Motor 4 (single-direction regulator output)

Sample Application 5

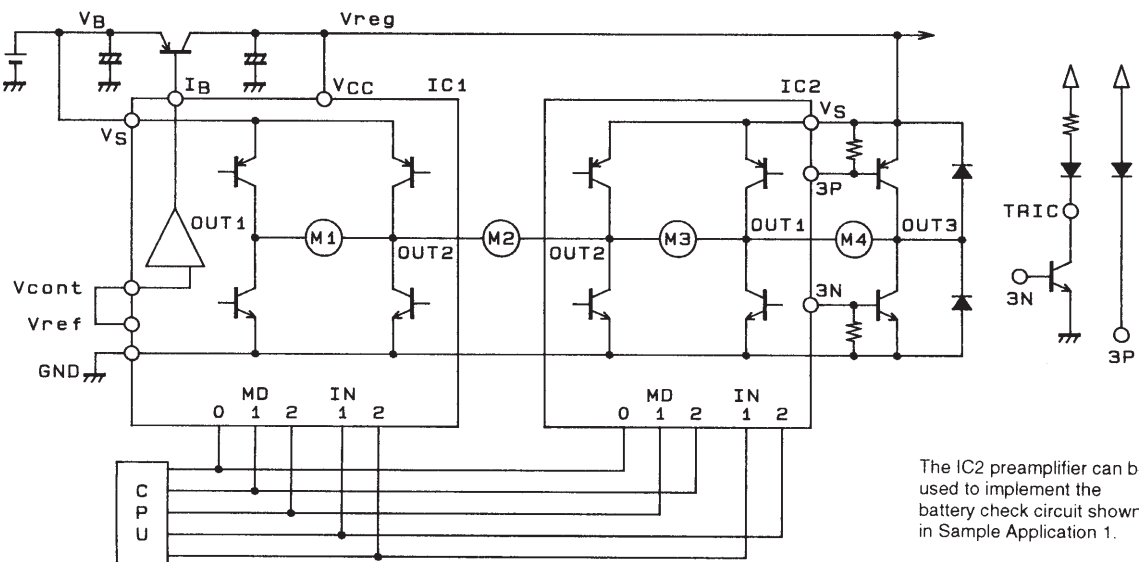


The IC2 preamplifier can be used to implement the battery check circuit shown in Sample Application 1.

A04108

MD		Mode
1	2	
H	H	Standby (zero current drain)
H	L	Motor 1
L	H	Motor 3 (bidirectional regulator output)
L	L	Motor 2 (single-direction regulator output)

Sample Application 6

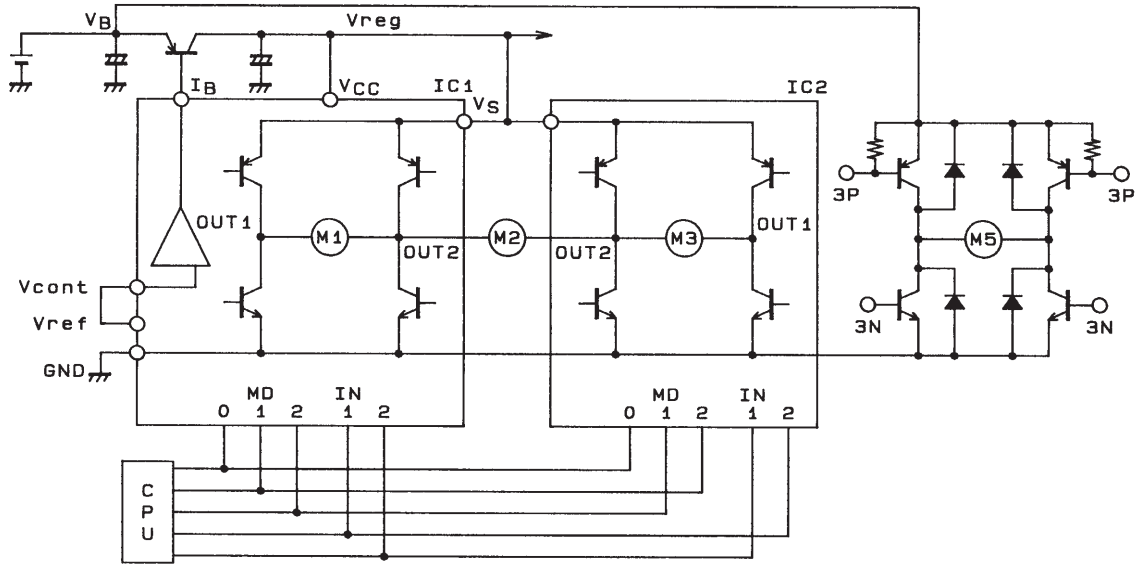


The IC2 preamplifier can be used to implement the battery check circuit shown in Sample Application 1.

A04109

MD			Mode
0	1	2	
H	H	H	Standby (zero current drain)
H	H	L	Motor 1
H	L	H	Motor 3 (bidirectional regulator output)
H	L	L	Motor 2 (single-direction regulator output)
L	L	L	Only the V <sub>CC</sub> regulator output on
L	L	H	Motor 4 (bidirectional regulator output)
L	H	H	IRED, LED

Sample Application 7



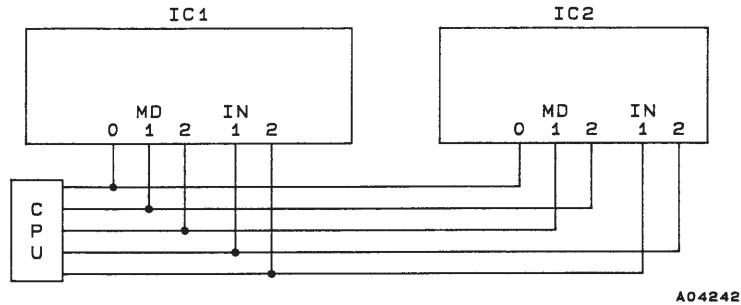
A04110

MD			Mode
0	1	2	
H	H	H	Standby (zero current drain)
H	H	L	Motor 1 (bidirectional regulator output)
H	L	H	Motor 3 (bidirectional regulator output)
H	L	L	Motor 2 (bidirectional regulator output)
L	L	L	Only the $V_{CC}$ regulator output on
L	H	H	Motor 5 (H bridge formed using external transistors)

## LB8632V

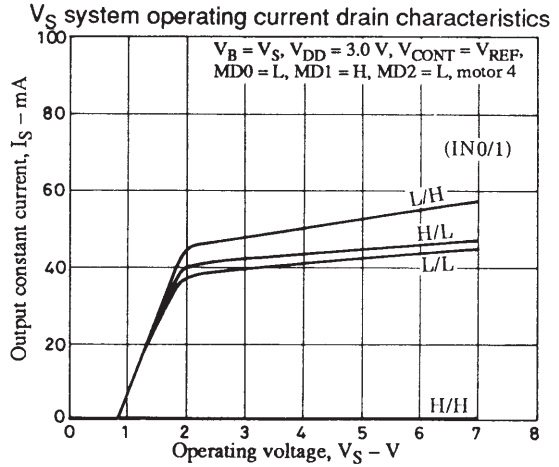
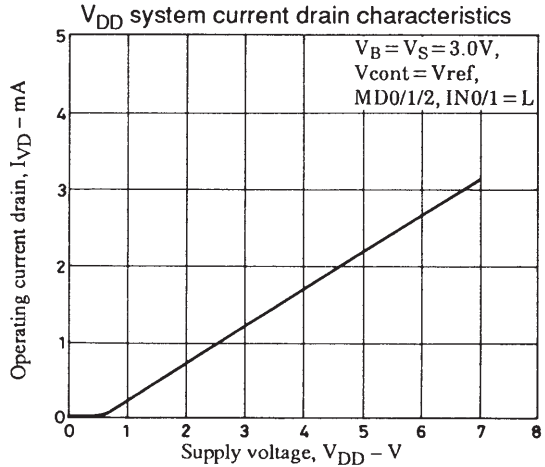
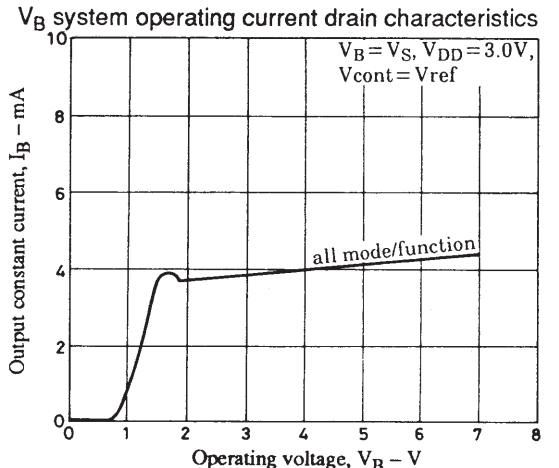
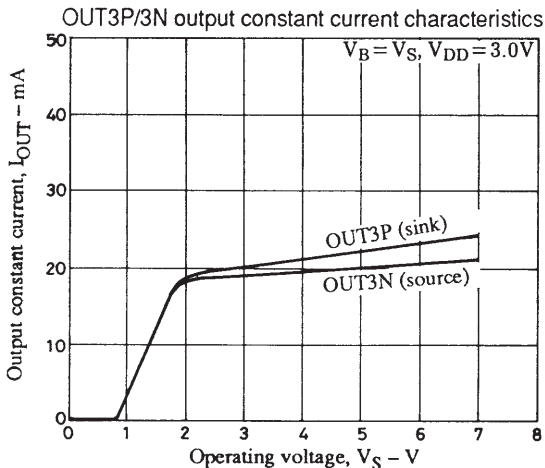
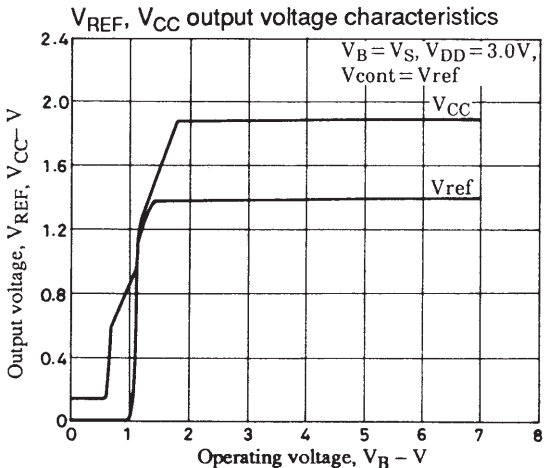
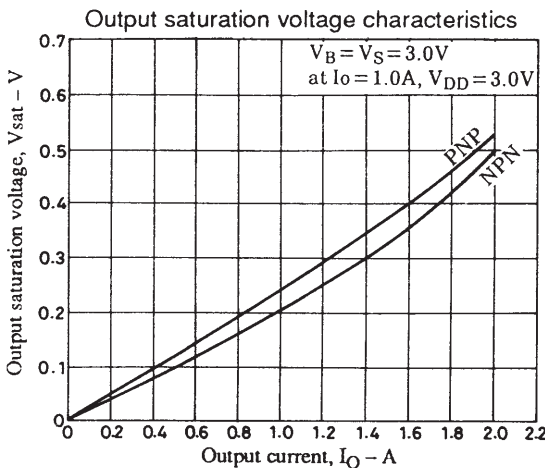
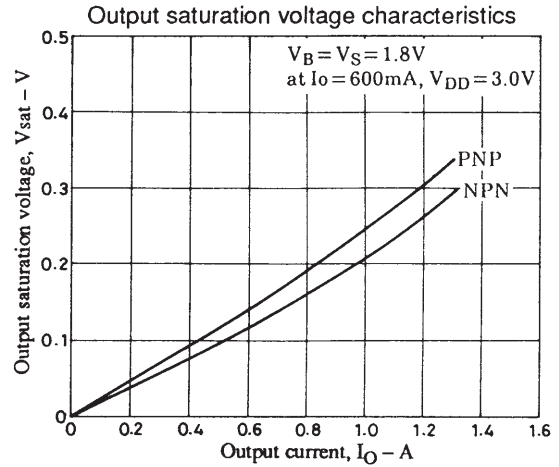
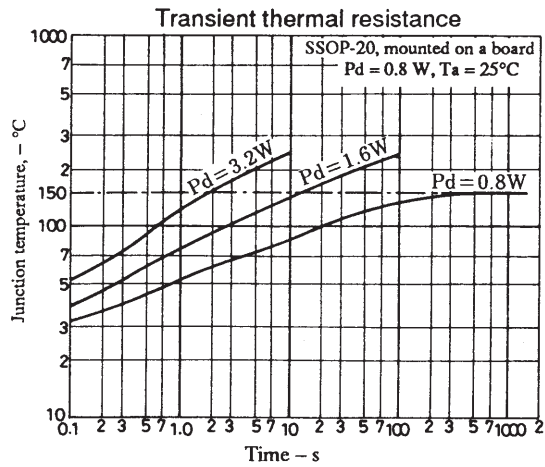
### Truth Table for Two LB8632V ICs

This truth table specifies the logic when using two LB8632V ICs (IC1 and IC2). As shown in the figure below, the five lines from the CPU should be connected to MD0, MD1, MD2, IN1, and IN2 for IC1 and to MD0, MD2, MD1, IN2, and IN1 for IC2, respectively.

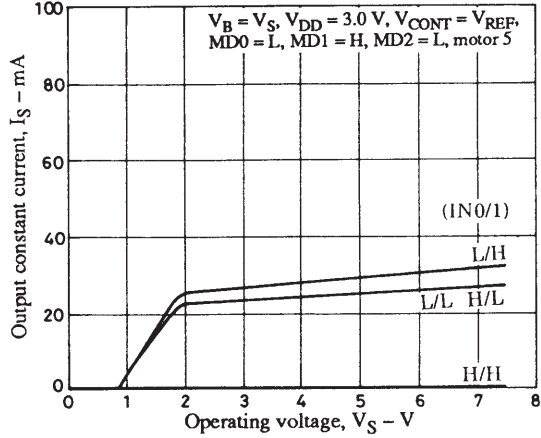


Note: The “—” entries for active-low/IN inputs are don’t care states, and the “—” entries for OUT outputs are OFF states. See the sample application circuit for the motor number.

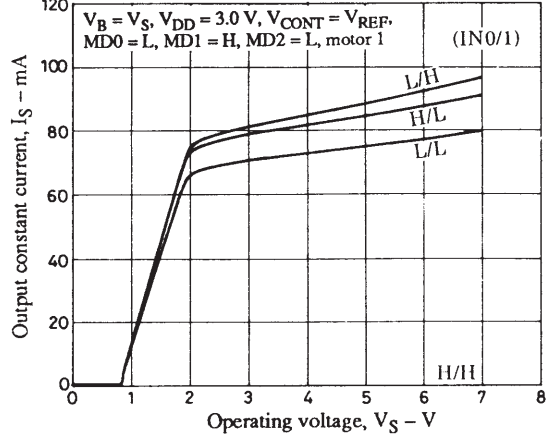
MD			IN		IC1				IC2				V <sub>CC</sub>	Note				
0	1	2	1	2	OUT1	OUT2	OUT3 PNP	OUT3 NPN	OUT2	OUT1	OUT3 PNP	OUT3 NPN						
H	H	H	—	—	—	—	—	—	—	—	—	—	—	—	Standby (zero current drain)			
H	H	L	H	H	—	—	—	—	—	—	—	—	—	On	Standby Forward Reverse Brake	Motor 1		
			H	L	L	H	—	—	—	—	—	—	—					
			L	H	H	L	—	—	—	—	—	—	—				—	
			L	L	L	L	—	—	—	—	—	—	—				—	
	L	H	H	H	H	—	—	—	—	—	—	—	—	On	Standby Forward Reverse Brake	Motor 3		
				H	L	—	—	—	—	L	H	—	—				—	
				L	H	—	—	—	—	H	L	—	—				—	
				L	L	—	—	—	—	L	L	—	—				—	
	L	L	L	H	H	—	—	—	—	—	—	—	—	On	Standby Forward Reverse Brake	Motor 2		
				H	L	—	H	—	—	L	—	—	—				—	
				L	H	—	L	—	—	H	—	—	—				—	
				L	L	—	L	—	—	L	—	—	—				—	
L	L	L	—	—	—	—	—	—	—	—	—	—	On	Only V <sub>CC</sub> on				
			H	L	H	H	—	—	—	—	—	—				—	On	
					H	L	L	—	On	—	—	—				—		—
					L	H	H	—	—	On	—	—				—		—
	L	H	H	H	H	—	—	—	—	—	—	—	On	Standby Forward Reverse Brake	Motor 4 External transistor			
				H	L	—	—	—	—	—	H	—				On		
				L	H	—	—	—	—	—	L	On				—		
				L	L	—	—	—	—	—	L	—				On		
	H	H	H	H	H	—	—	—	—	—	—	—	On	Standby Forward Reverse Brake	Motor 5 External transistor			
				H	L	—	—	On	—	—	—	—				On		
				L	H	—	—	—	On	—	—	On				—		
				L	L	—	—	—	On	—	—	—				On		



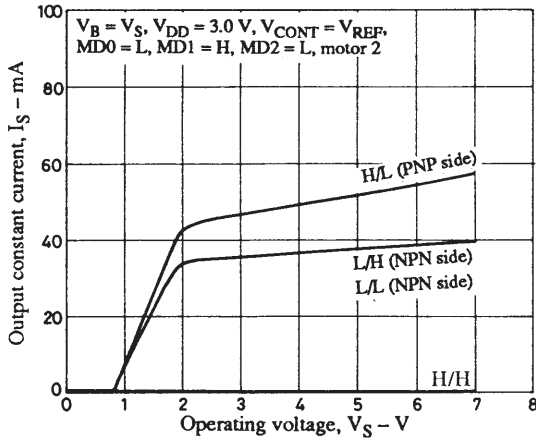
$V_S$  system operating current drain characteristics



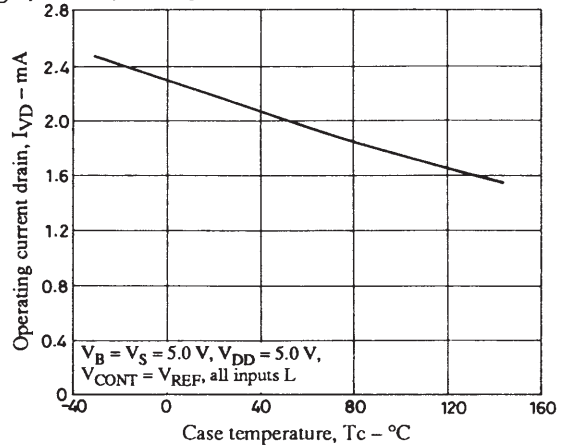
$V_S$  system operating current drain characteristics



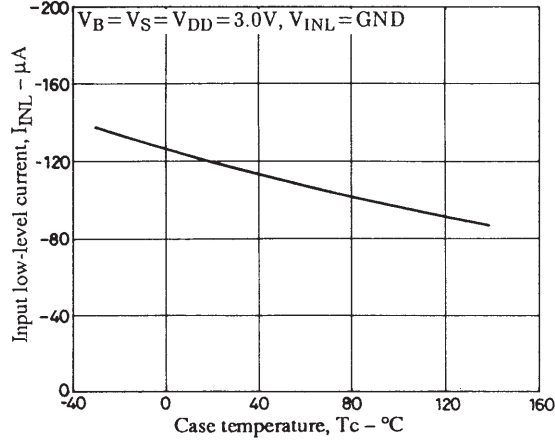
$V_S$  system operating current drain characteristics



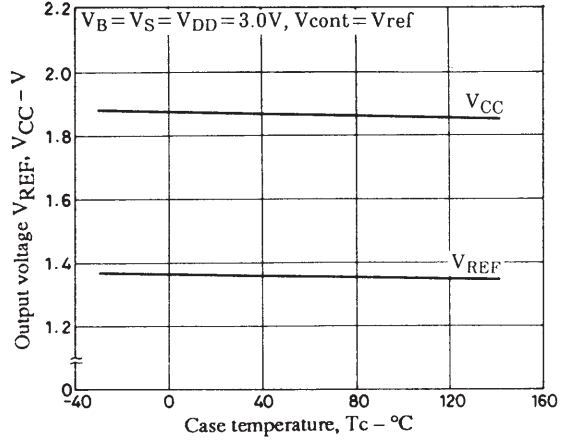
$V_{DD}$  system operating current drain temperature characteristics



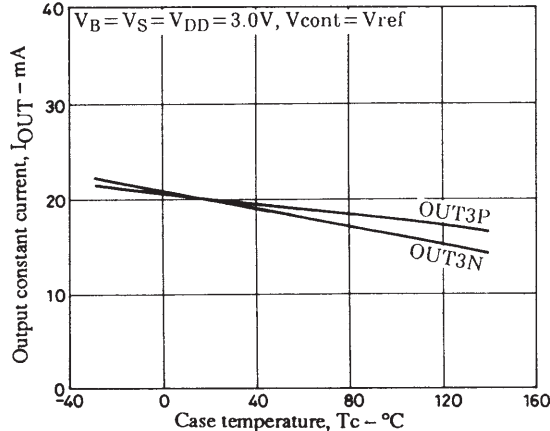
Input current temperature characteristics



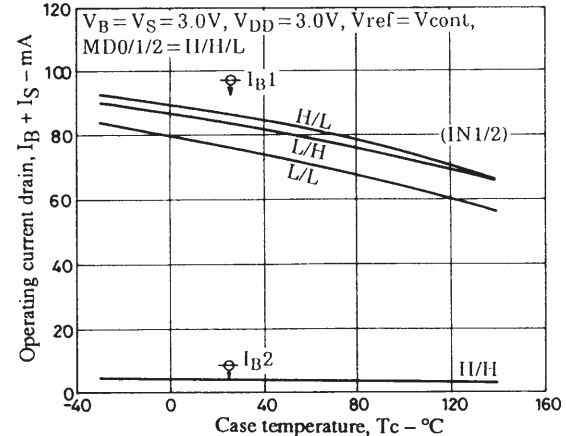
$V_{REF}, V_{CC}$  output voltage temperature characteristics



OUT3P/3N output constant current temperature characteristics

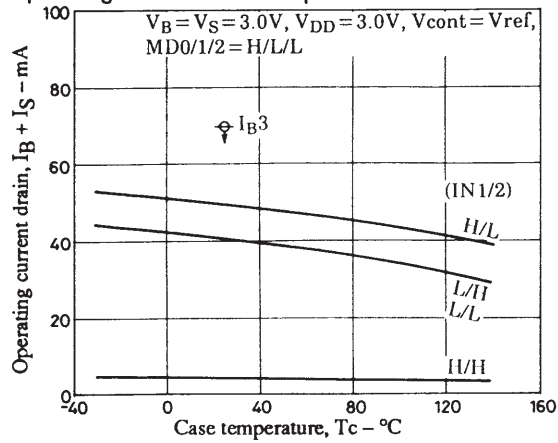


Operating current drain temperature characteristics

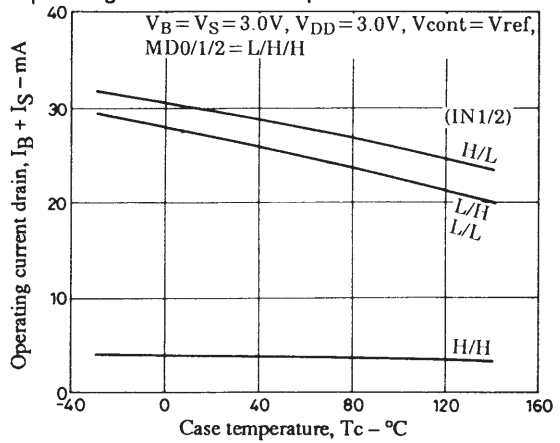




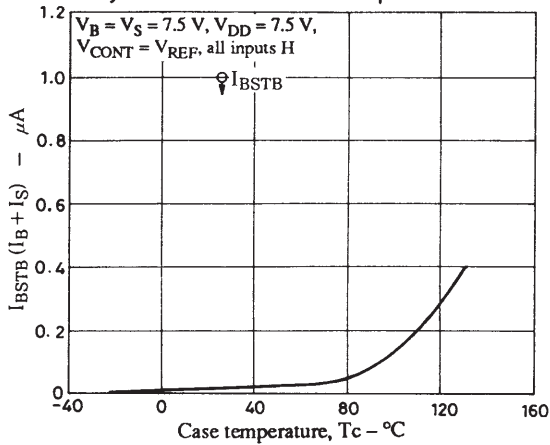
Operating current drain temperature characteristics



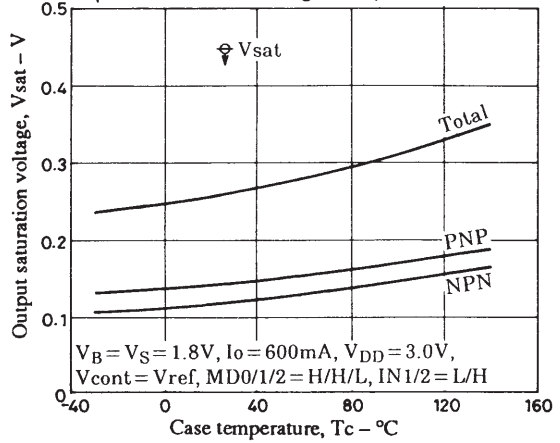
Operating current drain temperature characteristics



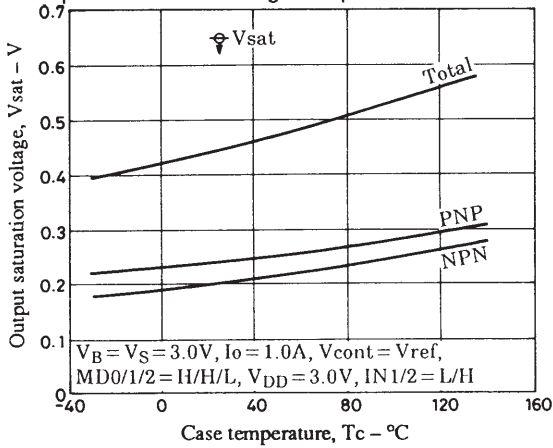
Standby mode current drain temperature characteristics



Output saturation voltage temperature characteristics



Output saturation voltage temperature characteristics



- Specifications of any and all SANYO products described or contained herein stipulate the performance, characteristics, and functions of the described products in the independent state, and are not guarantees of the performance, characteristics, and functions of the described products as mounted in the customer's products or equipment. To verify symptoms and states that cannot be evaluated in an independent device, the customer should always evaluate and test devices mounted in the customer's products or equipment.
- SANYO Electric Co., Ltd. strives to supply high-quality high-reliability products. However, any and all semiconductor products fail with some probability. It is possible that these probabilistic failures could give rise to accidents or events that could endanger human lives, that could give rise to smoke or fire, or that could cause damage to other property. When designing equipment, adopt safety measures so that these kinds of accidents or events cannot occur. Such measures include but are not limited to protective circuits and error prevention circuits for safe design, redundant design, and structural design.
- In the event that any or all SANYO products (including technical data, services) described or contained herein are controlled under any of applicable local export control laws and regulations, such products must not be exported without obtaining the export license from the authorities concerned in accordance with the above law.
- No part of this publication may be reproduced or transmitted in any form or by any means, electronic or mechanical, including photocopying and recording, or any information storage or retrieval system, or otherwise, without the prior written permission of SANYO Electric Co., Ltd.
- Any and all information described or contained herein are subject to change without notice due to product/technology improvement, etc. When designing equipment, refer to the "Delivery Specification" for the SANYO product that you intend to use.
- Information (including circuit diagrams and circuit parameters) herein is for example only; it is not guaranteed for volume production. SANYO believes information herein is accurate and reliable, but no guarantees are made or implied regarding its use or any infringements of intellectual property rights or other rights of third parties.

This catalog provides information as of February, 2000. Specifications and information herein are subject to change without notice.