

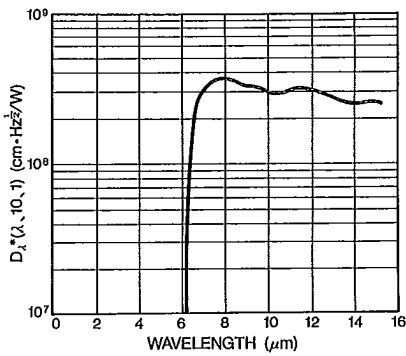
# Pyroelectric Detectors

## Dual Element Type P2288

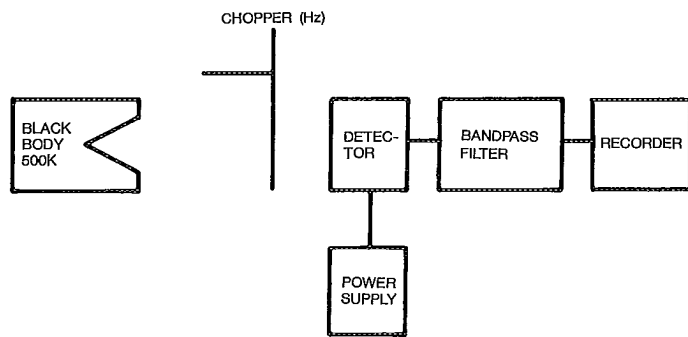
Type No.	Window Material	Sensitive Area (mm)	Spectral Response Range ( $\mu\text{m}$ )	Sensitivity Typ.		Noise Max. ( $\mu\text{V}/\text{Hz}^{1/2}$ )	NEP (500,1,1) Typ. ( $\text{W}/\text{Hz}^{1/2}$ )	$D^*$ (500,1,1) Typ. ( $\text{cmHz}^{1/2}/\text{W}$ )	Rise Time $t_r$ 0~63% Typ. (ms)	Temp. Coefficient of Sensitivity Max. (%/°C)	Supply Voltage (V)	Offset Voltage $R_L = 22\text{K}\Omega$ (V)	Temperature	
				1 Hz (V/W)	10 Hz (V/W)								Operating (°C)	Storage (°C)
P2288	BF	2x1	7~15	3200	450	15	$1 \times 10^{-9}$	$1.5 \times 10^8$	100	0.2	3~15	0.3~1.5	-20~+60	-30~+85

BF: Bandpass filter

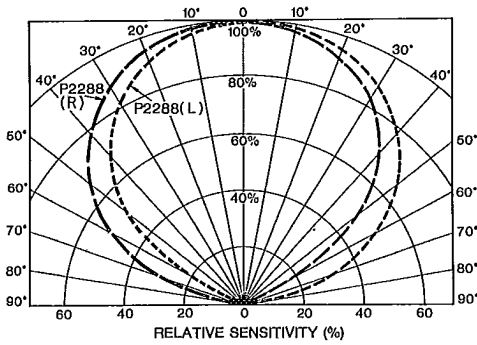
### Spectral Response



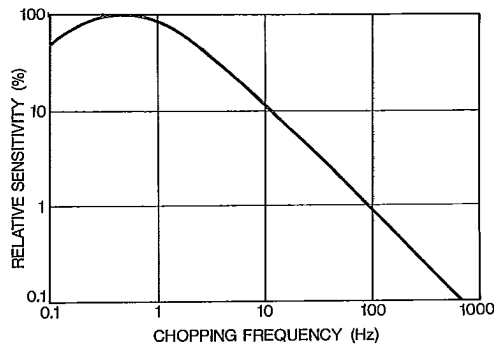
### Measurement Block Diagram



### Directivity



### Sensitivity vs. Chopping Frequency



Unit: mm

P2288

