

Low Voltage PECL PLL Clock Driver

The MPC992 is a 3.3V compatible, PLL based PECL clock generator and distributor. The fully differential design ensures optimum skew and PLL jitter performance. The performance of the device makes the MPC992 ideal for workstations, main frame computer, telecommunication and instrumentation applications. The device offers a crystal oscillator or a differential PECL reference clock input to provide flexibility in the reference clock interface. All of the control signals to the MPC992 are LVTTTL compatible inputs.

- Fully Integrated PLL
- Output Frequency of up to 400MHz
- PECL Clock Inputs and Outputs
- Operates from a 3.3V V_{CC} Supply
- Output Frequency Configurable
- 32 TQFP Packaging
- ±25ps Cycle–Cycle Jitter

The MPC992 offers two banks of outputs which can be configured into four different relationships. The output banks can be configured into 2:1, 3:1, 3:2 and 5:2 ratios to provide a wide variety of potential frequency

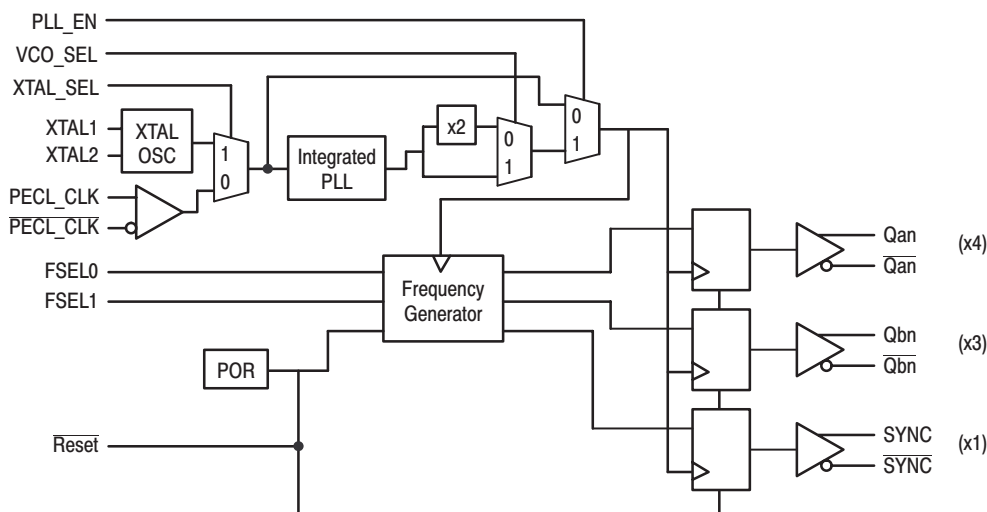
outputs. In addition to these two banks of outputs a synchronization output is also offered. The SYNC output will provide information as to the time when the two output banks will transition positively in phase. This information can be important when the odd ratios are used as it provides for a baseline point in the system timing. The SYNC output will pulse high for one Q_a clock period, centered on the rising Q_a clock edge four edges prior to the Q_b synchronous edge. The relationship is illustrated in the timing diagrams in the data sheet.

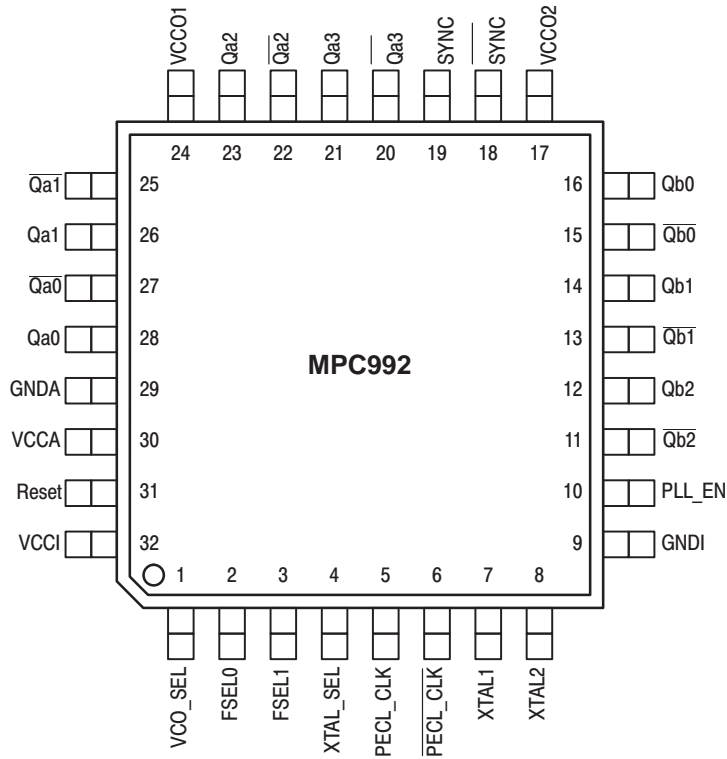
The MPC992 offers several features to aid in system debug and test. The PECL reference input pins can be interfaced to a test signal and the PLL can be bypassed to allow the designer to drive the MPC992 outputs directly. This allows for single stepping in a system functional debug mode. In addition an overriding reset is provided which will force all of the Q outputs LOW upon assertion.

The MPC992 is packaged in a 32–lead TQFP package to optimize both performance and board density.



MPC992 LOGIC DIAGRAM





FUNCTION TABLE 1

FSEL0	FSEL1	Qa	Qb	Feedback	Ratio
0	0	VCO/4	VCO/6	VCO/24	3:2
0	1	VCO/2	VCO/4	VCO/16	2:1
1	0	VCO/4	VCO/10	VCO/40	5:2
1	1	VCO/2	VCO/6	VCO/24	3:1

INPUT vs OUTPUT FREQUENCY

FSEL0	FSEL1	Qa	Qb	Int Feedback
0	0	6 (f_{ref})	4 (f_{ref})	f_{ref}
0	1	8 (f_{ref})	4 (f_{ref})	f_{ref}
1	0	10 (f_{ref})	4 (f_{ref})	f_{ref}
1	1	12 (f_{ref})	4 (f_{ref})	f_{ref}

FUNCTION TABLE 2

Control Signal	Logic '0'	Logic '1'
Reset	Outputs Enabled	Outputs Disabled
XTAL_SEL	PECL REF	XTAL REF
PLL_EN	Disabled	Enabled
VCO_SEL	High Frequency	Low Frequency

PIN DESCRIPTION

Pin Name	Function
VCO_SEL	VCO range select pin (Int Pullup)
PLL_EN	PLL bypass select pin (Int Pullup)
XTAL_SEL	Input reference source select pin (Int Pullup)
XTAL1:2	Crystal interface pins for the internal oscillator
PECL_CLK	True PECL reference clock input (Int Pulldown)
$\overline{\text{PECL_CLK}}$	Compliment PECL reference clock input (Int Pullup)
FSELn	Internal divider select pins (Int Pullup)
RESET	Internal flip-flop reset, true outputs go LOW (Int Pulldown)

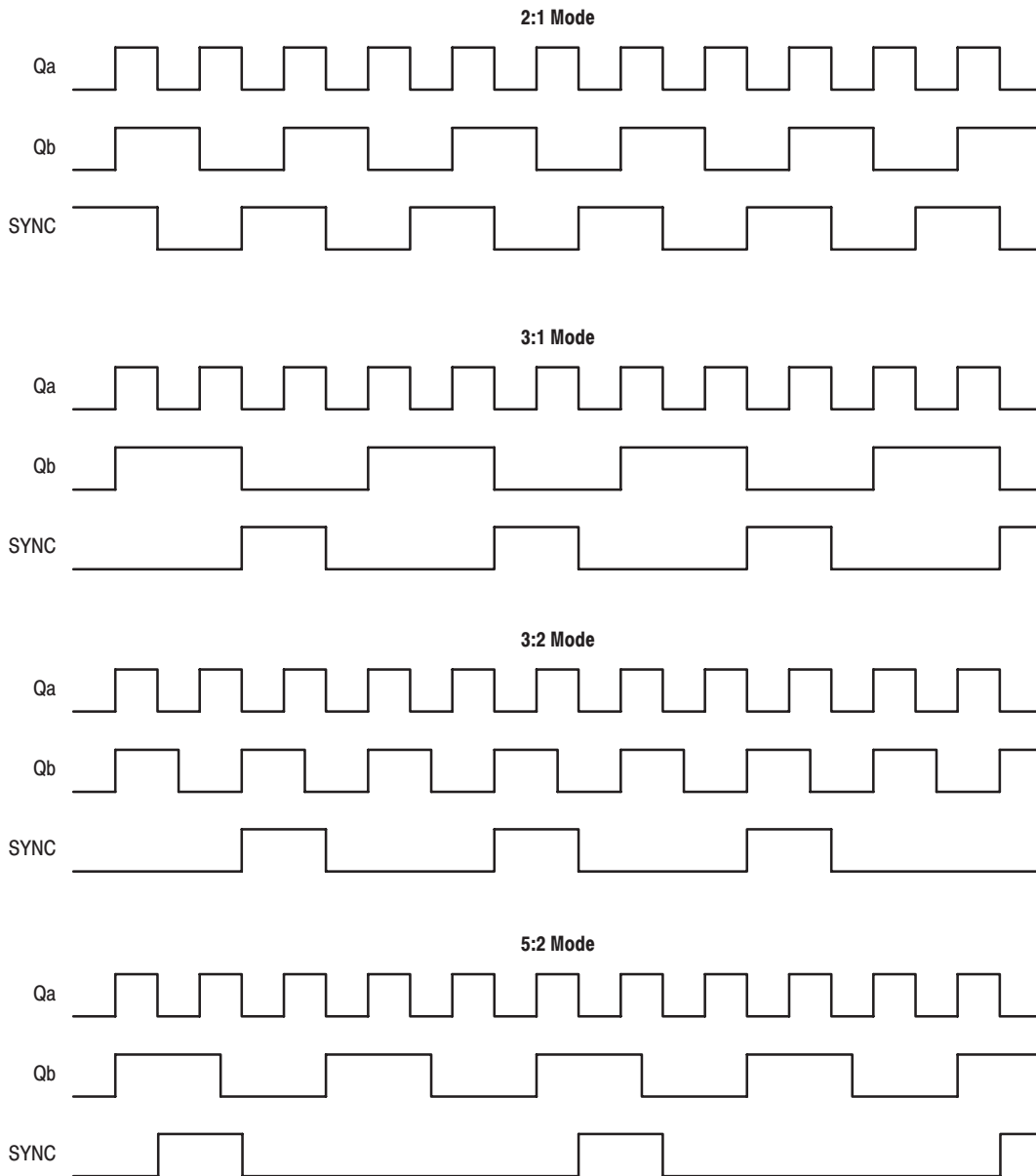


Figure 1. Output Waveforms

ABSOLUTE MAXIMUM RATINGS*

Symbol	Parameter	Min	Max	Unit
V_{CC}	Supply Voltage	-0.3	4.6	V
V_I	Input Voltage	-0.3	$V_{DD} + 0.3$	V
I_{OUT}	Output Current		50	mA
	Surge		100	
T_{Stor}	Storage Temperature Range	-40	125	°C

* Absolute maximum continuous ratings are those values beyond which damage to the device may occur. Exposure to these conditions or conditions beyond those indicated may adversely affect device reliability. Functional operation under absolute-maximum-rated conditions is not implied.

DC CHARACTERISTICS ($T_A = 0^\circ$ to 70°C , $V_{CC} = 3.3\text{V} \pm 5\%$)

Symbol	Characteristic	Min	Typ	Max	Unit	Condition
V_{IH}	Input HIGH Voltage PECL_CLK ¹ Other	2.15 2.0		2.4 V_{CC}	V	$V_{CC} = 3.3\text{V}$
V_{IL}	Input LOW Voltage PECL_CLK ¹ Other	1.5 0		1.8 0.8	V	$V_{CC} = 3.3\text{V}$
V_{OH}	Output HIGH Voltage ¹	1.8		2.4	V	$V_{CC} = 3.3\text{V}$
V_{OL}	Output LOW Voltage ¹	1.2		1.7	V	$V_{CC} = 3.3\text{V}$
I_{IN}	Input Current	-120		120	μA	
I_{CCI}	Maximum Quiescent Supply Current		130	150	mA	
I_{CCA}	Maximum PLL Supply Current		15	20	mA	

1. DC levels will vary 1:1 with V_{CC} .

AC CHARACTERISTICS ($T_A = 0^\circ$ to 70°C , $V_{CC} = 3.3\text{V} \pm 5\%$)

Symbol	Characteristic	Min	Typ	Max	Unit	Condition
t_r, t_f	Output Rise/Fall Time	200		850	ps	20% to 80%
t_{pw1}	Output Duty Cycle	49		51	%	
t_{pw2}	SYNC Output Duty Cycle	0.95		1.05	%	PCLK Period
f_{ref}	Input Reference Frequency Xtal FREF	10 Note 2		20 Note 2	MHz	
t_{os}	Output-to-Output Skew Qa, Qb Qa (-) to SYNC (+)			100 300	ps	
f_{VCO}	PLL VCO Lock Range	200 400		440 750	MHz	$VCO_SEL = 1$ $VCO_SEL = 0$
f_{max}	Maximum Output Frequency Qa (+2) Qa, Qb (+4) Qb (+6) Qb (+10)			375 187.5 125 75	MHz	Note 1
t_{jitter}	Cycle-to-Cycle Jitter (Peak-to-Peak)		± 25	± 50	ps	Note 3
t_{lock}	Maximum PLL Lock Time			10	ms	

1. At 400MHz the output swing will be less than the nominal value.
2. ECLK and XTAL input reference limited by the feedback divide and the guaranteed VCO lock range.
3. Guaranteed by characterization.

APPLICATIONS INFORMATION

Using the On-Board Crystal Oscillator

The MPC992 features an on-board crystal oscillator to allow for seed clock generation as well as final distribution. The on-board oscillator is completely self contained so that the only external component required is the crystal. As the oscillator is somewhat sensitive to loading on its inputs the user is advised to mount the crystal as close to the MPC992 as possible to avoid any board level parasitics. To facilitate co-location surface mount crystals are recommended, but not required.

The oscillator circuit is a series resonant circuit as opposed to the more common parallel resonant circuit, this eliminates the need for large on-board capacitors. Because the design is a series resonant design, for optimum frequency accuracy a series resonant crystal should be used (see specification table below). Unfortunately most off the shelf crystals are characterized in a parallel resonant mode. However a parallel resonant crystal is physically no different than a series resonant crystal, a parallel resonant crystal is simply a crystal which has been characterized in its parallel resonant mode. Therefore in the majority of cases a parallel specified crystal can be used with the MPC992 with just a minor frequency error due to the actual series resonant frequency of the parallel resonant specified crystal. Typically a parallel specified crystal used in a series resonant mode will exhibit an oscillatory frequency a few hundred ppm lower than the specified value. For most processor implementations a few hundred ppm translates into kHz inaccuracies, a level which does not represent a major issue.

Figure 2 shows an optional series capacitor in the crystal oscillator interface. The on-board oscillator introduces a small phase shift in the overall loop which causes the oscillator to operate at a frequency slightly slower than the specified crystal. The series capacitor is used to compensate the loop and allow the oscillator to function at the specified crystal frequency. If a 100ppm type error is not important, the capacitor can be left off the PCB. For more detailed information, order Motorola Application Note AN1579/D.

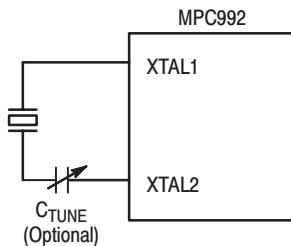


Figure 2. Recommended Crystal Interface

Table 1. Crystal Specifications

Parameter	Value
Crystal Cut	Fundamental AT Cut
Resonance	Series Resonance*
Frequency Tolerance	±75ppm at 25°C
Frequency/Temperature Stability	±150ppm 0 to 70°C
Operating Range	0 to 70°C
Shunt Capacitance	5–7pF
Equivalent Series Resistance (ESR)	50 to 80Ω max
Correlation Drive Level	100μW
Aging	5ppm/Yr (First 3 Years)

Power Supply Filtering

The MPC992 is a mixed analog/digital product and as such it exhibits some sensitivities that would not necessarily be seen on a fully digital product. Analog circuitry is naturally susceptible to random noise, especially if this noise is seen on the power supply pins. The MPC992 provides separate power supplies for the digital circuitry (V_{CC1}) and the internal PLL (V_{CCA}) of the device. The purpose of this design technique is to try and isolate the high switching noise digital outputs from the relatively sensitive internal analog phase-locked loop. In a controlled environment such as an evaluation board this level of isolation is sufficient. However, in a digital system environment where it is more difficult to minimize noise on the power supplies a second level of isolation may be required. The simplest form of isolation is a power supply filter on the V_{CCA} pin for the MPC992.

Figure 3 illustrates a typical power supply filter scheme. The MPC992 is most susceptible to noise with spectral content in the 10kHz to 1MHz range. Therefore the filter should be designed to target this range. The key parameter that needs to be met in the final filter design is the DC voltage drop that will be seen between the V_{CC} supply and the V_{CCA} pin of the MPC992. From the data sheet the $I_{V_{CCA}}$ current (the current sourced through the V_{CCA} pin) is typically 15mA (20mA maximum), assuming that a minimum of 3.0V must be maintained on the V_{CCA} pin very little DC voltage drop can be tolerated when a 3.3V V_{CC} supply is used. The resistor shown in Figure 3 must have a resistance of 10–15Ω to meet the voltage drop criteria. The RC filter pictured will provide a broadband filter with approximately 100:1 attenuation for noise whose spectral content is above 20KHz. As the noise frequency crosses the series resonant point of an individual capacitor it's overall impedance begins to look inductive and thus increases with increasing frequency. The parallel capacitor combination shown ensures that a low impedance path to ground exists for frequencies well above the bandwidth of the PLL.

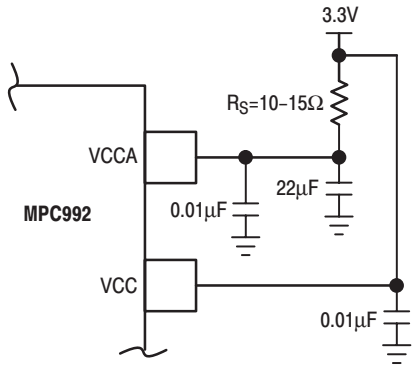


Figure 3. Power Supply Filter

A higher level of attenuation can be achieved by replacing the resistor with an appropriate valued inductor. A 1000 μ H choke will show a significant impedance at 10KHz frequencies and above. Because of the current draw and the voltage that must be maintained on the VCCA pin a low DC resistance inductor is required (less than 15 Ω). Generally the resistor/capacitor filter will be cheaper, easier to implement and provide an adequate level of supply filtering.

The MPC992 provides sub-nanosecond output edge rates and thus a good power supply bypassing scheme is a must. The important aspect of the layout for the MPC992 is low impedance connections between VCC and GND for the bypass capacitors. Combining good quality general purpose chip capacitors with good PCB layout techniques will produce effective capacitor resonances at frequencies adequate to

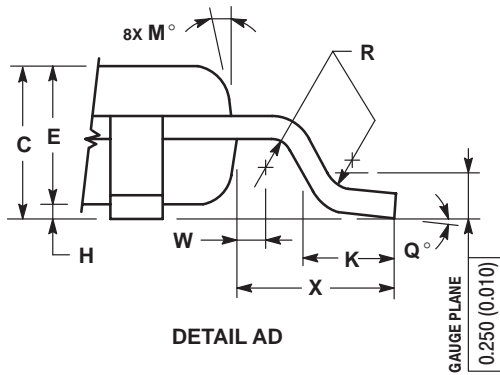
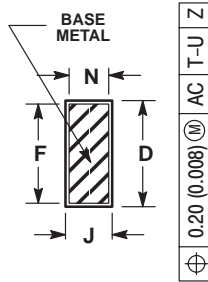
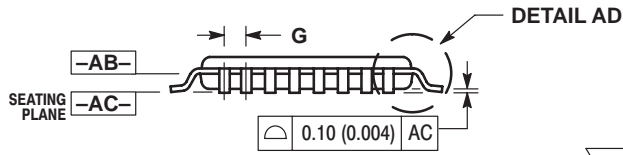
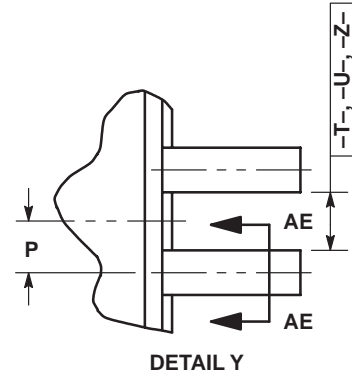
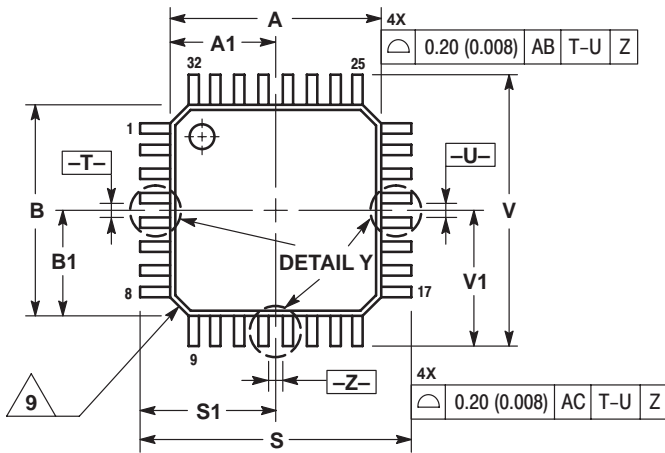
supply the instantaneous switching current for the MPC992 outputs. It is imperative that low inductance chip capacitors are used; it is equally important that the board layout does not introduce back all of the inductance saved by using the leadless capacitors. Thin interconnect traces between the capacitor and the power plane should be avoided and multiple large vias should be used to tie the capacitors to the buried power planes. Fat interconnect and large vias will help to minimize layout induced inductance and thus maximize the series resonant point of the bypass capacitors.

No active signal lines should pass below the crystal interface to the MPC992. The oscillator is a series resonant circuit and the voltage amplitude across the crystal is relatively small. It is imperative that no actively switching signals cross under the crystal as crosstalk energy coupled to these lines could significantly impact the jitter of the device. Special attention should be paid to the layout of the crystal to ensure a stable, jitter free interface between the crystal and the on-board oscillator. In addition, the crystal interface circuitry will be adversely affected by activity on the PECL_CLK inputs. Therefore, it is recommended that the PECL input signals be static when the crystal oscillator circuitry is being used.

Although the MPC992 has several design features to minimize the susceptibility to power supply noise (isolated power and grounds and fully differential PLL) there still may be applications in which overall performance is being degraded due to system power supply noise. The power supply filter and bypass schemes discussed in this section should be adequate to eliminate power supply noise related problems in most designs.


OUTLINE DIMENSIONS

FA SUFFIX PLASTIC TQFP PACKAGE CASE 873A-02 ISSUE A



- NOTES:
- 1 DIMENSIONING AND TOLERANCING PER ANSI Y14.5M, 1982.
 - 2 CONTROLLING DIMENSION: MILLIMETER.
 - 3 DATUM PLANE -AB- IS LOCATED AT BOTTOM OF LEAD AND IS COINCIDENT WITH THE LEAD WHERE THE LEAD EXITS THE PLASTIC BODY AT THE BOTTOM OF THE PARTING LINE.
 - 4 DATUMS -T-, -U-, AND -Z- TO BE DETERMINED AT DATUM PLANE -AB-.
 - 5 DIMENSIONS S AND V TO BE DETERMINED AT SEATING PLANE -AC-.
 - 6 DIMENSIONS A AND B DO NOT INCLUDE MOLD PROTRUSION. ALLOWABLE PROTRUSION IS 0.250 (0.010) PER SIDE. DIMENSIONS A AND B DO INCLUDE MOLD MISMATCH AND ARE DETERMINED AT DATUM PLANE -AB-.
 - 7 DIMENSION D DOES NOT INCLUDE DAMBAR PROTRUSION. DAMBAR PROTRUSION SHALL NOT CAUSE THE D DIMENSION TO EXCEED 0.520 (0.020).
 - 8 MINIMUM SOLDER PLATE THICKNESS SHALL BE 0.0076 (0.0003).
 - 9 EXACT SHAPE OF EACH CORNER MAY VARY FROM DEPICTION.

DIM	MILLIMETERS		INCHES	
	MIN	MAX	MIN	MAX
A	7.000 BSC		0.276 BSC	
A1	3.500 BSC		0.138 BSC	
B	7.000 BSC		0.276 BSC	
B1	3.500 BSC		0.138 BSC	
C	1.400	1.600	0.055	0.063
D	0.300	0.450	0.012	0.018
E	1.350	1.450	0.053	0.057
F	0.300	0.400	0.012	0.016
G	0.800 BSC		0.031 BSC	
H	0.050	0.150	0.002	0.006
J	0.090	0.200	0.004	0.008
K	0.500	0.700	0.020	0.028
M	12° REF		12° REF	
N	0.090	0.160	0.004	0.006
P	0.400 BSC		0.016 BSC	
Q	1°	5°	1°	5°
R	0.150	0.250	0.006	0.010
S	9.000 BSC		0.354 BSC	
S1	4.500 BSC		0.177 BSC	
V	9.000 BSC		0.354 BSC	
V1	4.500 BSC		0.177 BSC	
W	0.200 REF		0.008 REF	
X	1.000 REF		0.039 REF	

Motorola reserves the right to make changes without further notice to any products herein. Motorola makes no warranty, representation or guarantee regarding the suitability of its products for any particular purpose, nor does Motorola assume any liability arising out of the application or use of any product or circuit, and specifically disclaims any and all liability, including without limitation consequential or incidental damages. "Typical" parameters which may be provided in Motorola data sheets and/or specifications can and do vary in different applications and actual performance may vary over time. All operating parameters, including "Typicals" must be validated for each customer application by customer's technical experts. Motorola does not convey any license under its patent rights nor the rights of others. Motorola products are not designed, intended, or authorized for use as components in systems intended for surgical implant into the body, or other applications intended to support or sustain life, or for any other application in which the failure of the Motorola product could create a situation where personal injury or death may occur. Should Buyer purchase or use Motorola products for any such unintended or unauthorized application, Buyer shall indemnify and hold Motorola and its officers, employees, subsidiaries, affiliates, and distributors harmless against all claims, costs, damages, and expenses, and reasonable attorney fees arising out of, directly or indirectly, any claim of personal injury or death associated with such unintended or unauthorized use, even if such claim alleges that Motorola was negligent regarding the design or manufacture of the part. Motorola and  are registered trademarks of Motorola, Inc. Motorola, Inc. is an Equal Opportunity/Affirmative Action Employer.

MOTOROLA and the Stylized M Logo are registered in the US Patent & Trademark Office. All other product or service names are the property of their respective owners. © Motorola, Inc. 2001.

How to reach us:

USA/EUROPE/Locations Not Listed: Motorola Literature Distribution; P.O. Box 5405, Denver, Colorado 80217. 1-303-675-2140 or 1-800-441-2447

JAPAN: Motorola Japan Ltd.; SPS, Technical Information Center, 3-20-1, Minami-Azabu. Minato-ku, Tokyo 106-8573 Japan. 81-3-3440-3569

ASIA/PACIFIC: Motorola Semiconductors H.K. Ltd.; Silicon Harbour Centre, 2 Dai King Street, Tai Po Industrial Estate, Tai Po, N.T., Hong Kong. 852-26668334

Technical Information Center: 1-800-521-6274

HOME PAGE: <http://www.motorola.com/semiconductors/>



MOTOROLA



MPC992/D