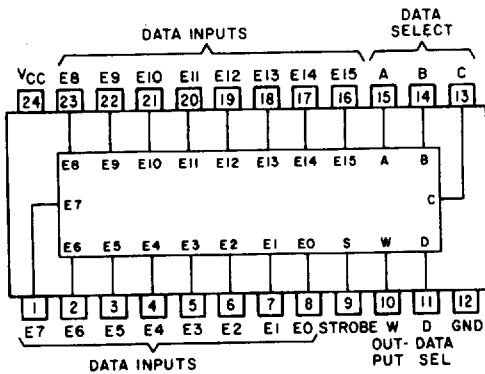




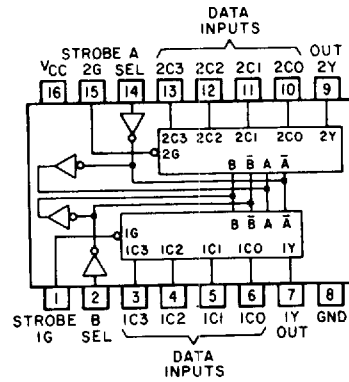
**SK74150**

1-of-16 Data Selectors/Multiplexers  
Outline No. IC-051



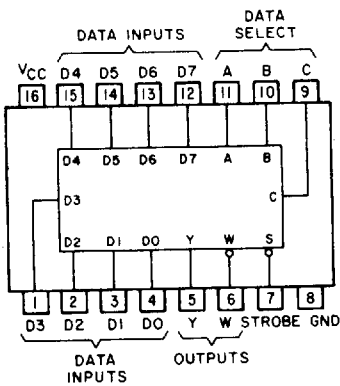
**SK74153 SK74LS153**

Dual 4-Line-to-1-Line Data Selector/Multiplexer  
Outline No. IC-049



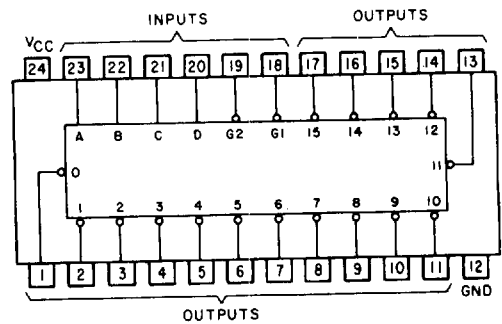
**SK74151 SK74LS151**

1-of-8 Data Selectors/Multiplexers  
Outline No. IC-049



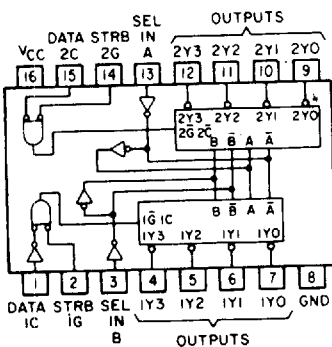
**SK74154**

4-Line-to-16-Line Decoder/Multiplexer  
Outline No. IC-051



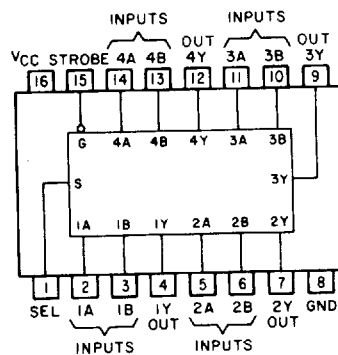
**SK74155 SK74LS155 SK74156 SK74LS156**

Decoders/Multiplexers/Totem-Pole Output  
Outline No. IC-049



**SK74157 SK74LS157**

Quad 2-to-1-Line Data Selectors/Multiplexers  
Outline No. IC-049



**SK74158**

Quad 2-Line-to-1-Line Data Sel/Mxr  
Invert Output  
Outline No. IC-049

