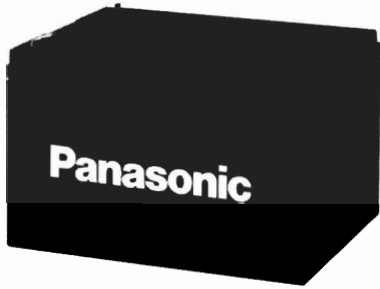


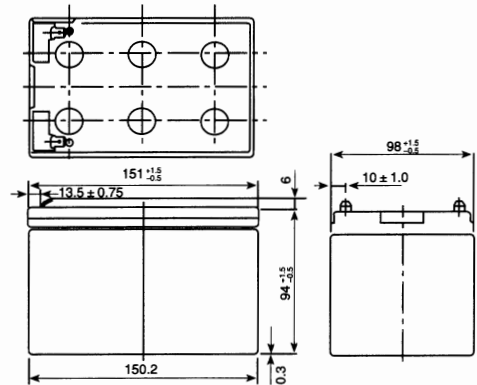
LC-RA1212



★ Contents indicated (including the recycle marking, etc) are subject to change without notice.

For main and standby power supplies.
Expected trickle life: 3-5 years at 25°C.

Dimensions (mm)

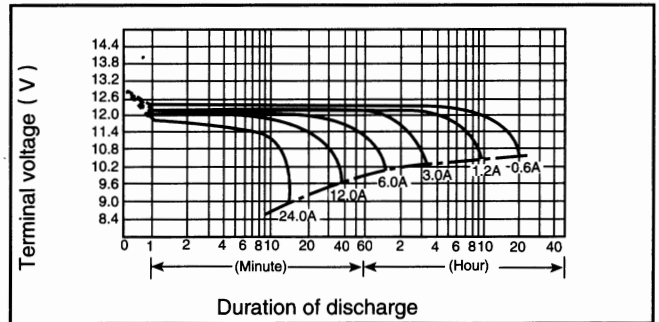


Battery case resin: standard (UL94HB)

Specifications

Nominal voltage		12V
Rated capacity (20hour rate)		12Ah
Dimensions (mm)	Length	151
	Width	98
	Height	94
	Total height	100
Mass (Approx. Kg)		3.80

Discharge characteristics (25°C) (note)



Characteristics

Capacity (note) (25°C)	20 hr (600mA)	12.0Ah
	10 hr (1130mA)	11.3Ah
	5 hr (2080mA)	10.4Ah
	1 hr (8100mA)	8.1Ah
	1.5 hour rate discharge cut-off voltage 10.5V	5.8A
Internal resistance (25°C fully charged)		Approx. 30mΩ
Temperature dependency of capacity (20 hour rate)	40°C	102%
	25°C	100%
	0°C	85%
	-15°C	65%
Residual capacity after self-discharge (25°C)	3 months	91%
	6 months	82%
	12 months	64%
Terminal	AMP Faston Tab 187# & 250M#	
Charging method (25°C)	Cycle	Control voltage 14.5-14.9V; Initial current 4.8A or smaller
	Trickle	Control voltage 13.6-13.8V; Initial current 1.8A or smaller
Expected life (25°C, 0.25CA)	Cycle	over 400 cycles
	Trickle	over 3 years

Note: The above characteristics data are average values obtained within 3 charge/discharge cycles, not the minimum values.

Duration of discharge vs. discharge current (note)

