



Description

PT2261A is a remote control encoder paired with PT2271A utilizing CMOS Technology. It encodes data and address pins into a serial coded waveform suitable for RF modulation. PT2261A has a maximum of 12 bits of two-state address pins providing up to 4096 (or 2^{12}) address codes; thereby, drastically reducing any code collision and unauthorized code scanning possibilities.

Features

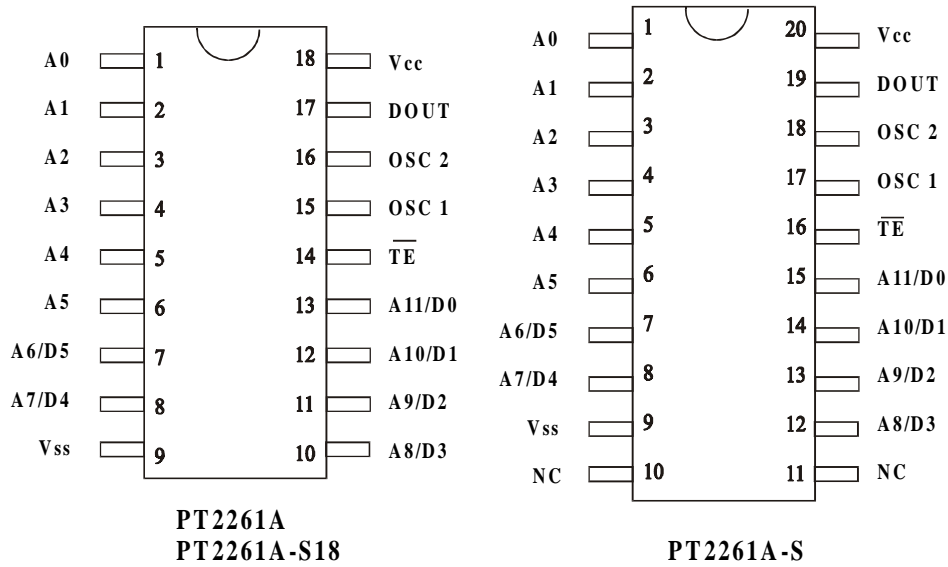
- CMOS Technology
- Low Power Consumption
- Very High Noise Immunity
- Up to 12 Two-State Code Address Pins
- Up to 6 Data Pins
- Wide Range of Operating Voltage: $V_{cc} = 4 \sim 15$ Volts
- Single Resistor Oscillator
- Available in DIP and SO Package

Applications

- Car Security System
- Garage Door Controller
- Remote Control Fan
- Home Security/Automation System
- Remote Control Toys
- Remote Control for Industrial Use



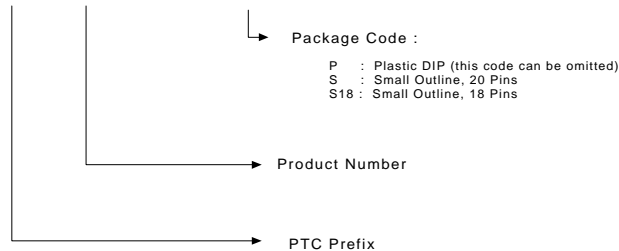
Pin Configuration



Ordering Information

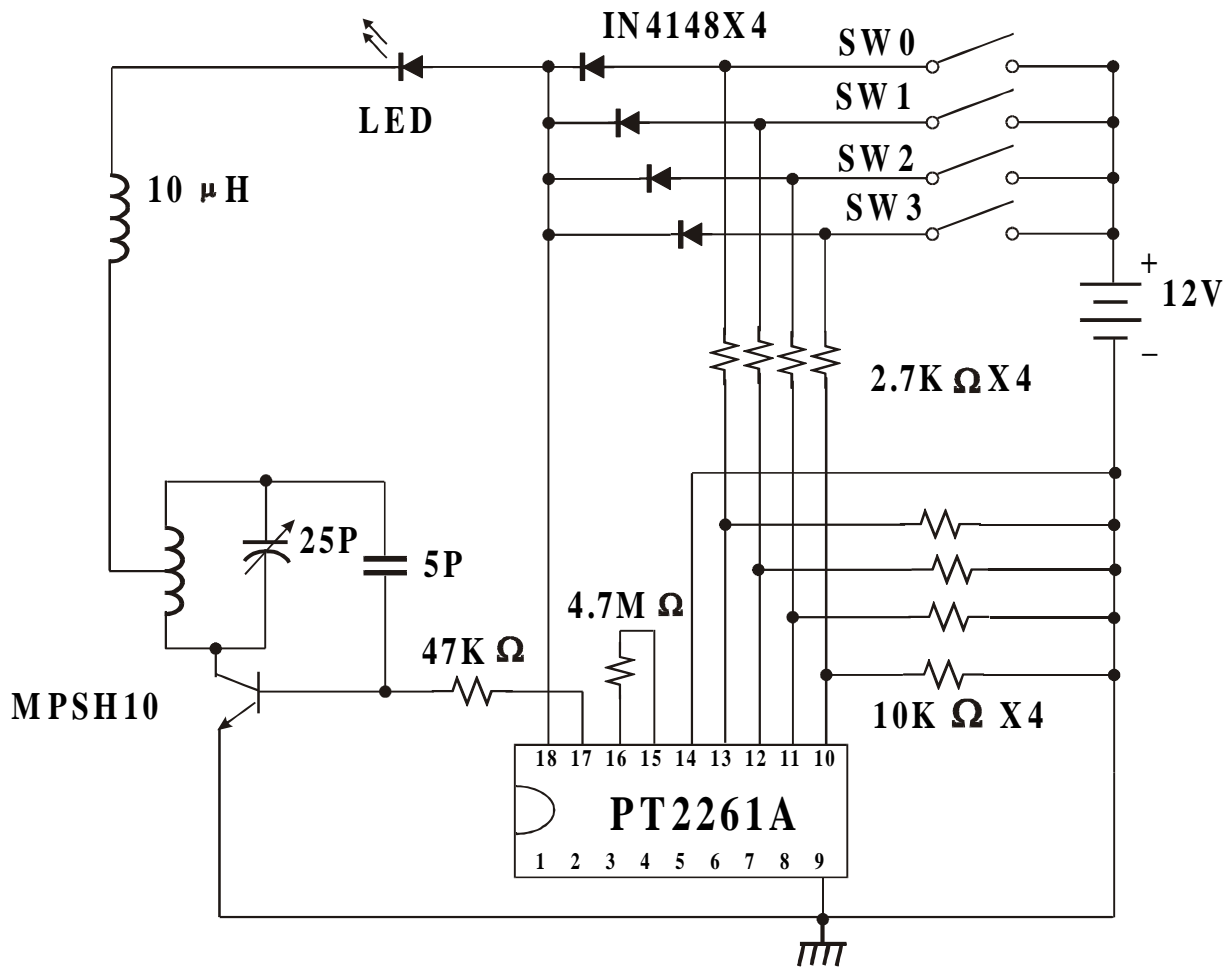
Valid Part Number	Package Type
PT2261A	18 Pins, DIP
PT2261A-S18	18 Pins, SO
PT2261A-S	20 Pins, SO

PT 2261A - X - X



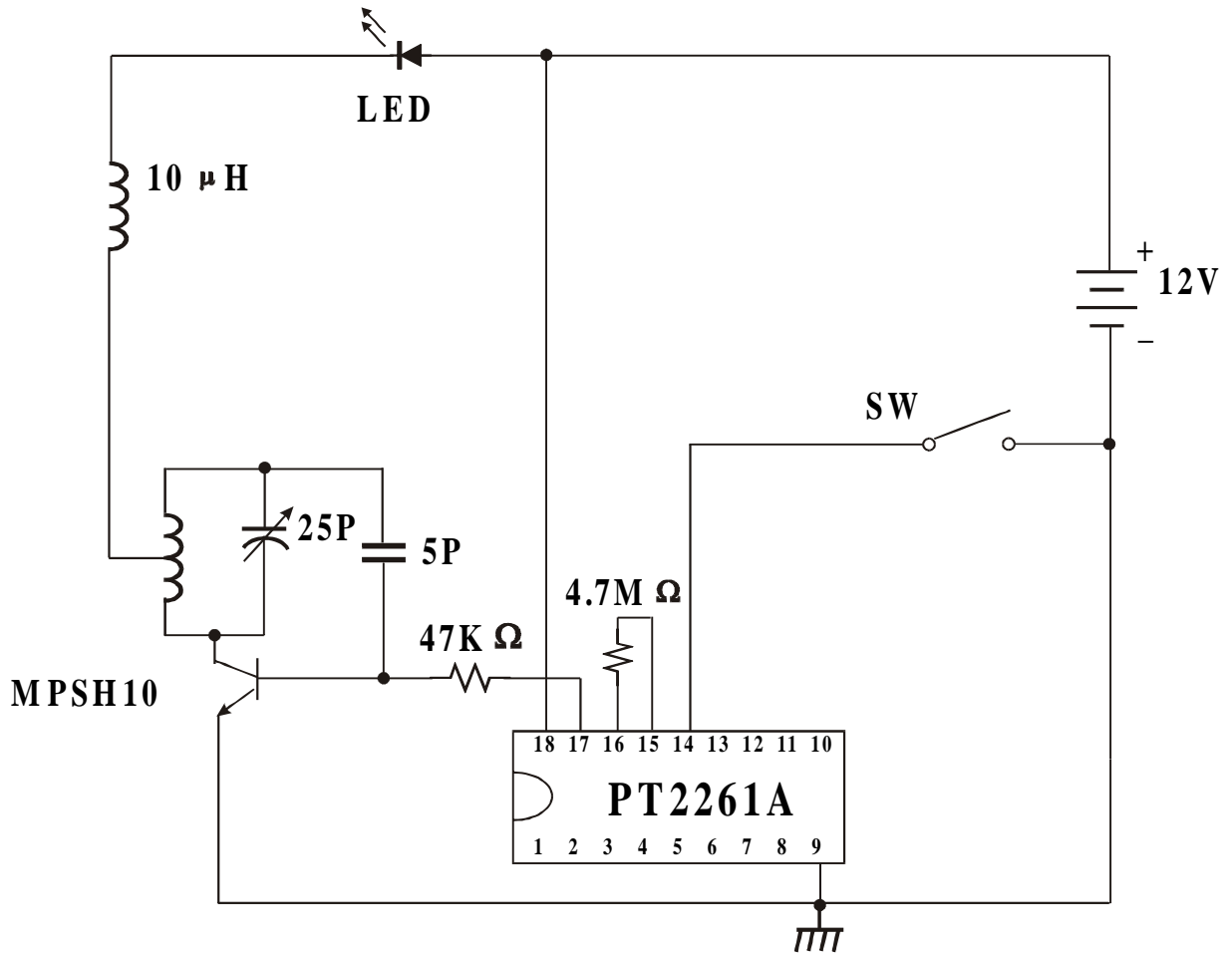


Application Circuit



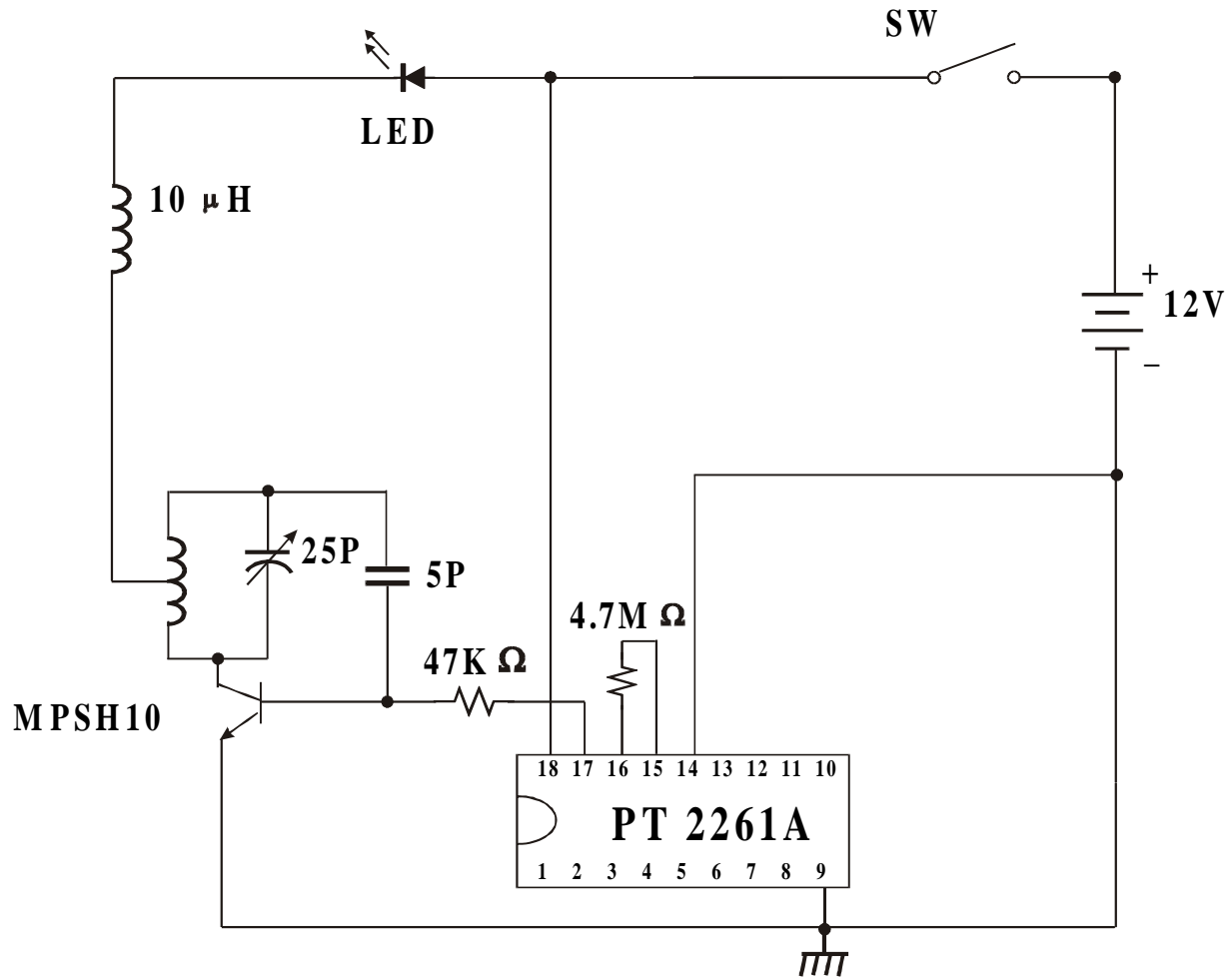
Note: 1. 4-Data Transmitter Circuit is recommended.

2. If the Address Bit is "floating", the respective code bit will have the value of "1".



Note: 1. Address-only (Zero Data) Transmitter Circuit is recommended.

2. If the Address Bit is "floating", the respective code bit will have the value of "1".



Note: 1. UHF Band Address-only (Zero Data) Zero-Stand-by Transmitter Circuit is recommended.

2. If the Address Bit is "floating", the respective code bit will have the value of "1".