

MF1151V-2

FOR AMPS MOBILE TELEPHONE, Tx

MF1151V-2

DESCRIPTION

This SAW filter for the transmitting RF circuit of AMPS mobile communication equipment operating at 824 MHz ~ 849 MHz.

FEATURES

1. SMD package insures small size, lightweight.
2. Adjustment free.
3. Low insertion loss and high stop band attenuation.
4. Wide and sharp passband characteristics.
5. High stability and reliability.
6. Designed for reflow solderings.

APPLICATION

- Mobile Cellular Telephone
- Portable Cellular Telephone
- Wireless equipment

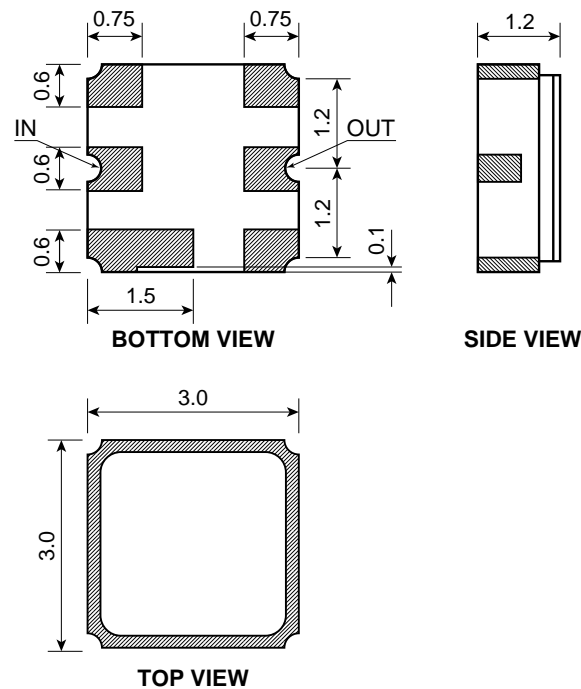
MAXIMUM RATINGS

Rating	Value	Unit
Input Power	50	mW
Operating Temperature Range	-20 to 75	°C
Storage Temperature Range	-30 to 85	°C

ELECTRICAL PERFORMANCE

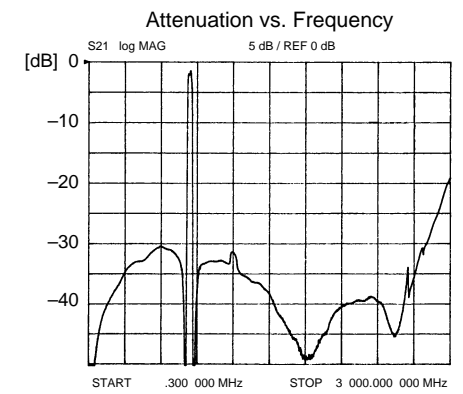
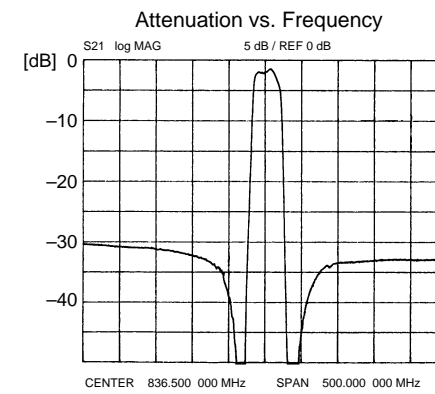
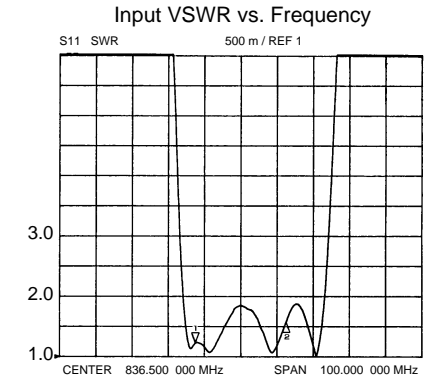
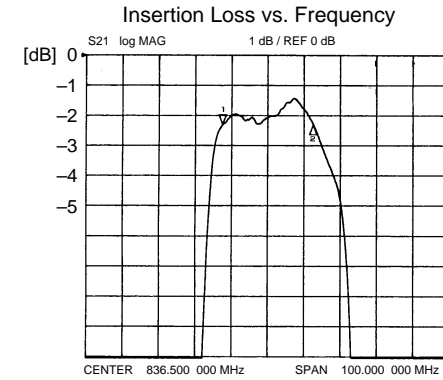
Parameter	MF1151V-2			Units
	Min	Typ	Max	
PASSBAND FREQUENCY	824 – 849			MHz
PASSBAND CHARECTERISTICS	Insertion Loss	2.5	3.5	dB
	Ripple	1.1	2.0	
	VSWR	1.8	2.5	
STOPBAND ATTENUATION	0 – 800 MHz	28	31	dB
	869 – 1029 MHz	30	33	
	1029 – 2000 MHz	25	32	

PACKAGE OUTLINE DIMENSIONS



DIMENSIONS ARE IN MILLIMETERS
±0.2 UNLESS OTHERWISE SPECIFIED

MF1151V-2 TYPICAL CHARACTERISTICS



Input Reflection Coefficient vs. Frequency

