

### GENERAL DESCRIPTION



The ICS84325 is a Crystal-to-3.3V LVPECL Frequency Synthesizer with Fanout Buffer and a member of the HiPerClockS™ family of High Performance Clock Solutions from ICS. The output frequency can be programmed using frequency select pins. The low phase noise characteristics of the ICS84325 make it an ideal clock source for Fibre Channel 1, Fibre Channel 2, Infiniband and Gigabit Ethernet applications.

### FEATURES

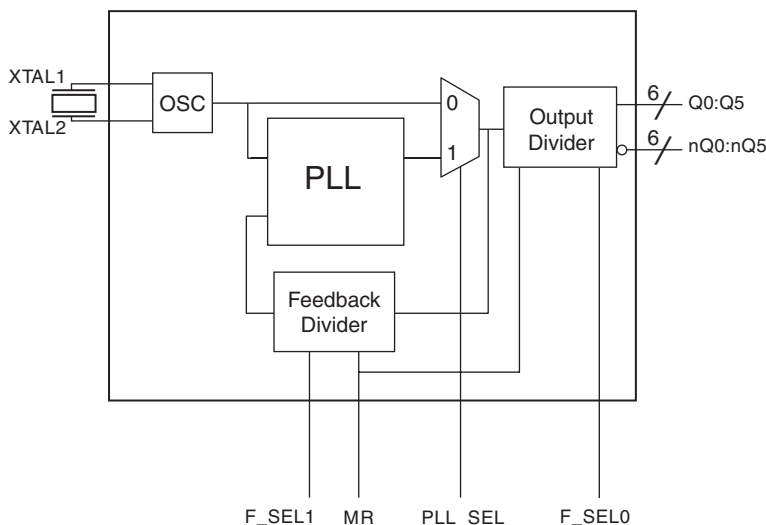
- 6 differential 3.3V LVPECL outputs
- Crystal oscillator interface
- Output frequency range: 106.25MHz to 250MHz
- Crystal input frequency: 25MHz and 25.5MHz
- Output skew: 60ps (maximum)
- RMS phase jitter at 212.5MHz, using a 25.5MHz crystal (637KHz to 10MHz): 2.76ps
- Phase noise: Typical at 212.5MHz
 

Offset	Noise Power
100Hz .....	-92 dBc/Hz
1KHz .....	-112 dBc/Hz
10KHz .....	-120 dBc/Hz
100KHz .....	-122 dBc/Hz
- 3.3V supply voltage
- 0°C to 70°C ambient operating temperature
- Lead-Free package available.
- Industrial temperature information available upon request

FUNCTION TABLE

Inputs			XTAL	Output Frequency
MR	F_SEL1	F_SEL0		F_OUT
1	X	X		LOW
0	0	0	25.5MHz	106.25MHz
0	0	1	25.5MHz	212.5MHz
0	1	0	25MHz	125MHz
0	1	1	25MHz	250MHz

### BLOCK DIAGRAM



### PIN ASSIGNMENT

Q0	1	24	V <sub>CC0</sub>
nQ0	2	23	F_SEL0
Q1	3	22	F_SEL1
nQ1	4	21	MR
Q2	5	20	XTAL1
nQ2	6	19	XTAL2
Q3	7	18	V <sub>EE</sub>
nQ3	8	17	V <sub>CCA</sub>
Q4	9	16	V <sub>CC</sub>
nQ4	10	15	PLL_SEL
Q5	11	14	V <sub>EE</sub>
nQ5	12	13	V <sub>CC0</sub>

**ICS84325**  
24-Lead, 300-MIL SOIC  
7.5mm x 15.33mm x 2.3mm body package  
**M Package**  
Top View



**TABLE 1. PIN DESCRIPTIONS**

Number	Name	Type		Description
1, 2	Q0, nQ0	Output		Differential output pair. LVPECL interface levels.
3, 4	Q1, nQ1	Output		Differential output pair. LVPECL interface levels.
5, 6	Q2, nQ2	Output		Differential output pair. LVPECL interface levels.
7, 8	Q3, nQ3	Output		Differential output pair. LVPECL interface levels.
9, 10	Q4, nQ4	Output		Differential output pair. LVPECL interface levels.
11, 12	Q5, nQ5	Output		Differential output pair. LVPECL interface levels.
13, 24	V <sub>CCO</sub>	Power		Output supply pins.
16	V <sub>CC</sub>	Power		Core supply pin.
14, 18	V <sub>EE</sub>			Negative supply pins.
15	PLL_SEL	Input	Pullup	Selects between the PLL and crystal inputs as the input to the dividers. When HIGH, selects PLL. When LOW, selects XTAL1, XTAL2. LVCMOS / LVTTTL interface levels.
17	V <sub>CCA</sub>	Power		Analog supply pin.
19, 20	XTAL2, XTAL1	Input		Crystal oscillator interface. XTAL1 is the input. XTAL2 is the output.
21	MR	Input	Pulldown	Active High Master Reset. When logic HIGH, the internal dividers are reset causing the true outputs Qx to go low and the inverted outputs nQx to go high. When logic LOW, the internal dividers and the outputs are enabled. LVCMOS / LVTTTL interface levels.
22	F_SEL1	Input	Pulldown	Feedback frequency select pin. LVCMOS / LVTTTL interface levels.
23	F_SEL0	Input	Pullup	Output select pin. LVCMOS / LVTTTL interface levels.

NOTE: *Pullup* and *Pulldown* refer to internal input resistors. See Table 2, Pin Characteristics, for typical values.

**TABLE 2. PIN CHARACTERISTICS**

Symbol	Parameter	Test Conditions	Minimum	Typical	Maximum	Units
C <sub>IN</sub>	Input Capacitance			4		pF
R <sub>PULLUP</sub>	Input Pullup Resistor			51		KΩ
R <sub>PULLDOWN</sub>	Input Pulldown Resistor			51		KΩ



**ABSOLUTE MAXIMUM RATINGS**

Supply Voltage, $V_{CC}$	4.6V
Inputs, $V_i$	-0.5V to $V_{CC} + 0.5V$
Outputs, $I_o$	
Continuous Current	50mA
Surge Current	100mA
Package Thermal Impedance, $\theta_{JA}$	50°C/W (0 lfpm)
Storage Temperature, $T_{STG}$	-65°C to 150°C

NOTE: Stresses beyond those listed under Absolute Maximum Ratings may cause permanent damage to the device. These ratings are stress specifications only. Functional operation of product at these conditions or any conditions beyond those listed in the *DC Characteristics* or *AC Characteristics* is not implied. Exposure to absolute maximum rating conditions for extended periods may affect product reliability.

**TABLE 3A. POWER SUPPLY DC CHARACTERISTICS,  $V_{CC} = V_{CCA} = V_{CCO} = 3.3V \pm 5\%$ ,  $T_A = 0^\circ C$  TO  $70^\circ C$**

Symbol	Parameter	Test Conditions	Minimum	Typical	Maximum	Units
$V_{CC}$	Core Supply Voltage		3.135	3.3	3.465	V
$V_{CCA}$	Analog Supply Voltage		3.135	3.3	3.465	V
$I_{EE}$	Power Supply Current				210	mA
$I_{CCA}$	Analog Supply Current				27	mA

**TABLE 3B. LVCMOS / LVTTTL DC CHARACTERISTICS,  $V_{CC} = V_{CCA} = V_{CCO} = 3.3V \pm 5\%$ ,  $T_A = 0^\circ C$  TO  $70^\circ C$**

Symbol	Parameter	Test Conditions	Minimum	Typical	Maximum	Units
$V_{IH}$	Input High Voltage	PLL_SEL, MR, F_SEL0, F_SEL1	2		$V_{CC} + 0.3$	V
$V_{IL}$	Input Low Voltage	PLL_SEL, MR, F_SEL0, F_SEL1	-0.3		0.8	V
$I_{IH}$	Input High Current	MR, F_SEL1	$V_{CC} = V_{IN} = 3.465V$		150	$\mu A$
		PLL_SEL, F_SEL0	$V_{CC} = V_{IN} = 3.465V$		5	$\mu A$
$I_{IL}$	Input Low Current	MR, F_SEL1	$V_{CC} = 3.465V, V_{IN} = 0V$	-5		$\mu A$
		PLL_SEL, F_SEL0	$V_{CC} = 3.465V, V_{IN} = 0V$	-150		$\mu A$

**TABLE 3C. LVPECL DC CHARACTERISTICS,  $V_{CC} = V_{CCA} = V_{CCO} = 3.3V \pm 5\%$ ,  $T_A = 0^\circ C$  TO  $70^\circ C$**

Symbol	Parameter	Test Conditions	Minimum	Typical	Maximum	Units
$V_{OH}$	Output High Voltage; NOTE 1		$V_{CCO} - 1.4$		$V_{CCO} - 0.8$	V
$V_{OL}$	Output Low Voltage; NOTE 1		$V_{CCO} - 2.0$		$V_{CCO} - 1.7$	V
$V_{SWING}$	Peak-to-Peak Output Voltage Swing		0.6		1.2	V

NOTE 1: Outputs terminated with 50Ω to  $V_{CCO} - 2V$ .



**TABLE 4. CRYSTAL CHARACTERISTICS**

Parameter	Test Conditions	Minimum	Typical	Maximum	Units
Mode of Oscillation		Fundamental			
Frequency		25		25.5	MHz
Equivalent Series Resistance (ESR)				50	$\Omega$
Shunt Capacitance				7	pF

**TABLE 5. AC CHARACTERISTICS,  $V_{CC} = V_{CCA} = V_{CCO} = 3.3V \pm 5\%$ ,  $T_A = 0^\circ C$  TO  $70^\circ C$**

Symbol	Parameter	Test Conditions	Minimum	Typical	Maximum	Units
$F_{OUT}$	Output Frequency		106.25		250	MHz
$t_{sk(o)}$	Output Skew; NOTE 1, 2				60	ps
$t_R / t_F$	Output Rise/Fall Time	20% to 80%	300		800	ps
odc	Output Duty Cycle	$f_{OUT} = 106.25MHz$	48		52	%
		$f_{OUT} = 125MHz$	46		54	%
		$f_{OUT} = 212.5MHz$	43		57	%
		$f_{OUT} = 250MHz$	40		60	%
$t_{LOCK}$	PLL Lock Time				1	ms

See Parameter Measurement Information section.

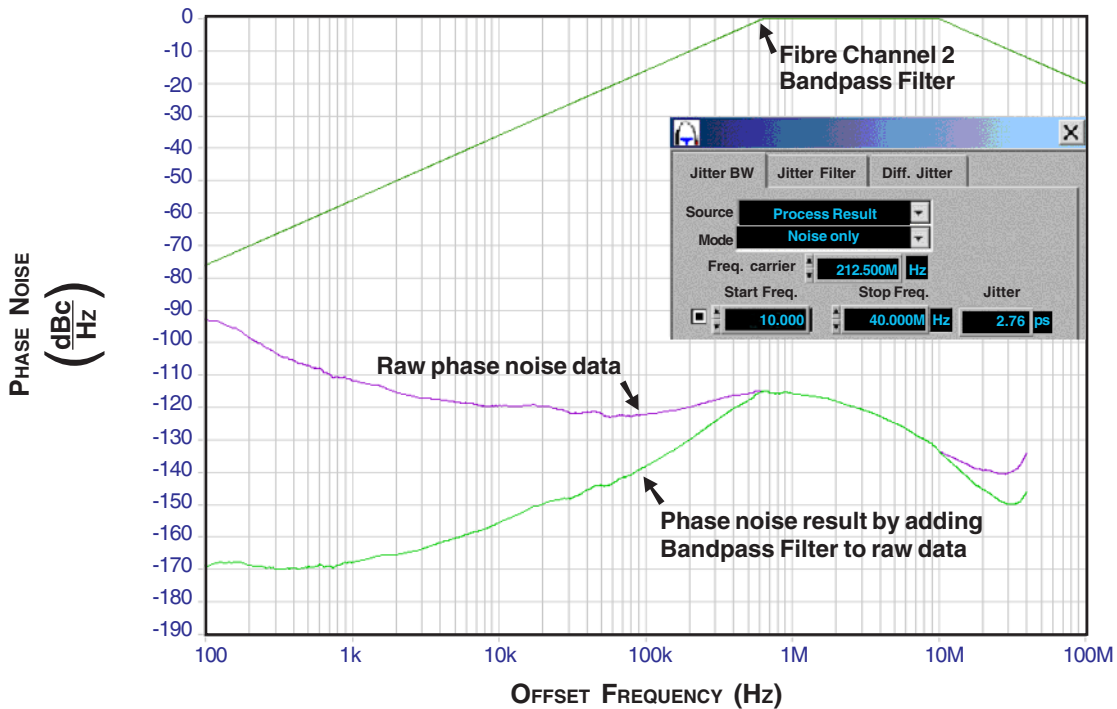
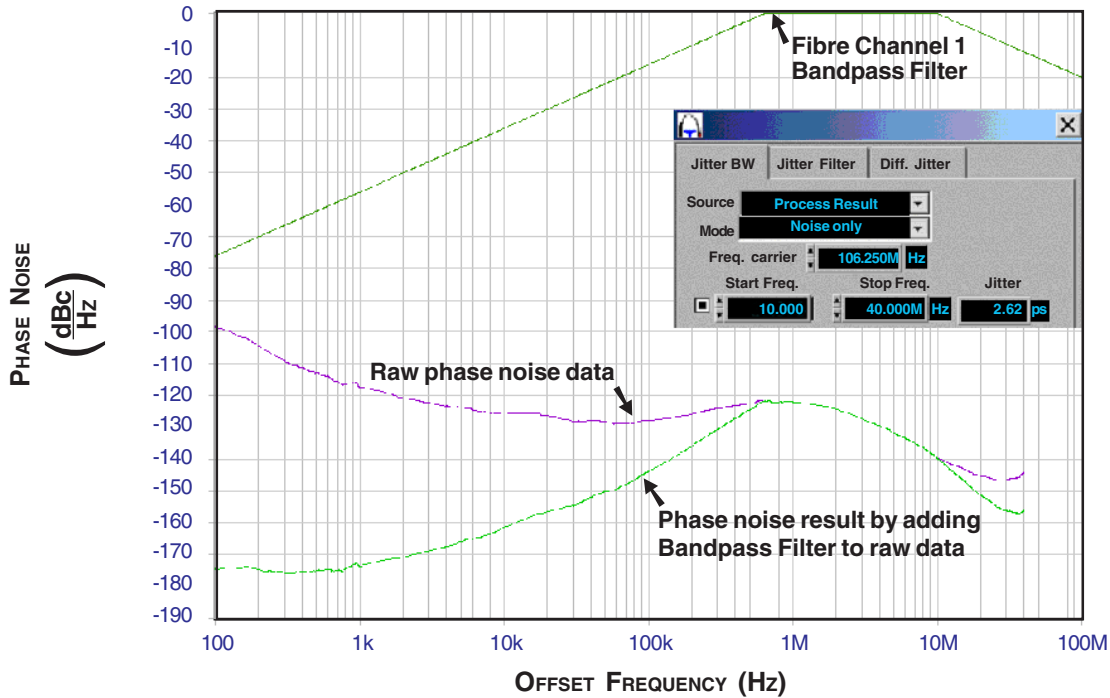
NOTE 1: Defined as skew between outputs at the same supply voltage and with equal load conditions.

Measured at  $V_{CCO}/2$ .

NOTE 2: This parameter is defined in accordance with JEDEC Standard 65.

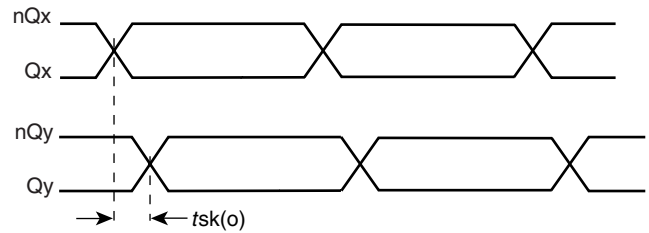
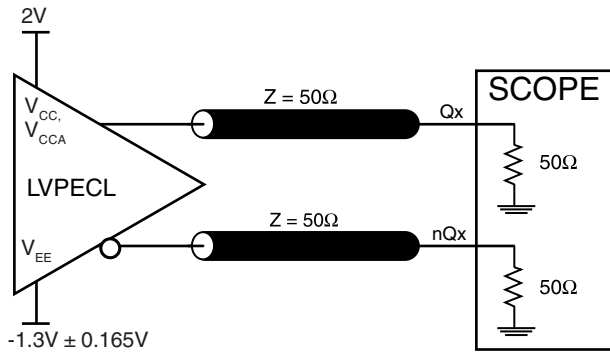


**TYPICAL PHASE NOISE**



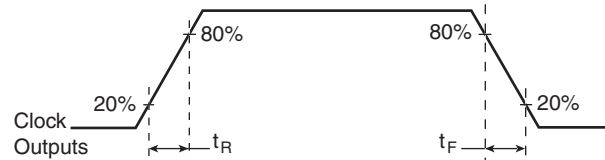
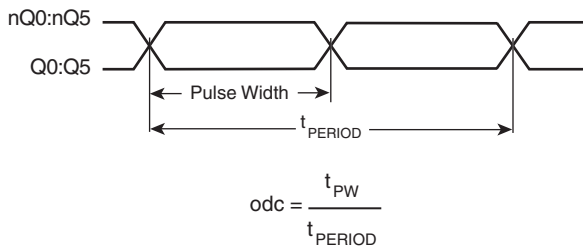


## PARAMETER MEASUREMENT INFORMATION



### 3.3V OUTPUT LOAD AC TEST CIRCUIT

### OUTPUT SKEW



### OUTPUT DUTY CYCLE/PULSE WIDTH/PERIOD

### OUTPUT RISE/FALL TIME



## APPLICATION INFORMATION

### POWER SUPPLY FILTERING TECHNIQUES

As in any high speed analog circuitry, the power supply pins are vulnerable to random noise. The ICS84325 provides separate power supplies to isolate any high switching noise from the outputs to the internal PLL.  $V_{CC}$ ,  $V_{CCA}$  and  $V_{CCO}$  should be individually connected to the power supply plane through vias, and bypass capacitors should be used for each pin. To achieve optimum jitter performance, power supply isolation is required. *Figure 2* illustrates how a 24Ω resistor along with a 10μF and a .01μF bypass capacitor should be connected to each  $V_{CCA}$  pin.

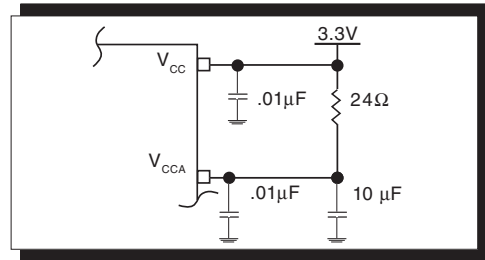


FIGURE 2. POWER SUPPLY FILTERING

### TERMINATION FOR LVPECL OUTPUTS

The clock layout topology shown below is a typical termination for LVPECL outputs. The two different layouts mentioned are recommended only as guidelines.

FOUT and nFOUT are low impedance follower outputs that generate ECL/LVPECL compatible outputs. Therefore, terminating resistors (DC current path to ground) or current sources must be used for functionality. These outputs are designed to

drive 50Ω transmission lines. Matched impedance techniques should be used to maximize operating frequency and minimize signal distortion. *Figures 3A and 3B* show two different layouts which are recommended only as guidelines. Other suitable clock layouts may exist and it would be recommended that the board designers simulate to guarantee compatibility across all printed circuit and clock component process variations.

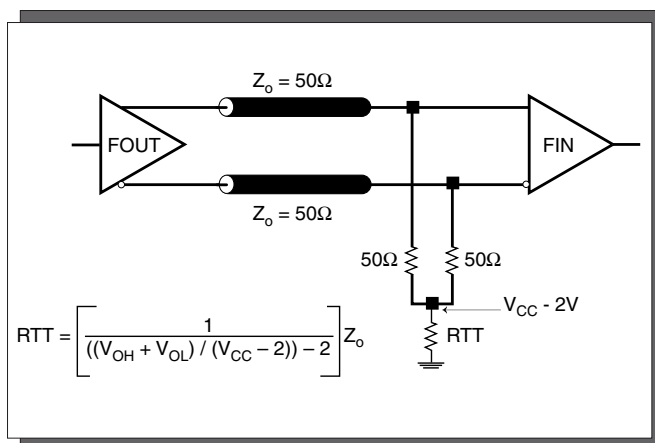


FIGURE 3A. LVPECL OUTPUT TERMINATION

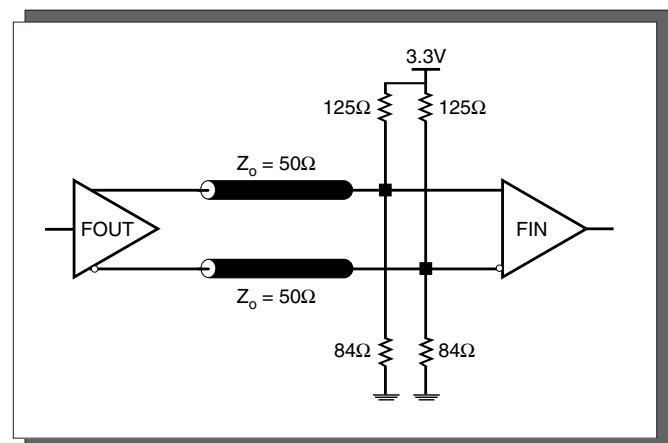


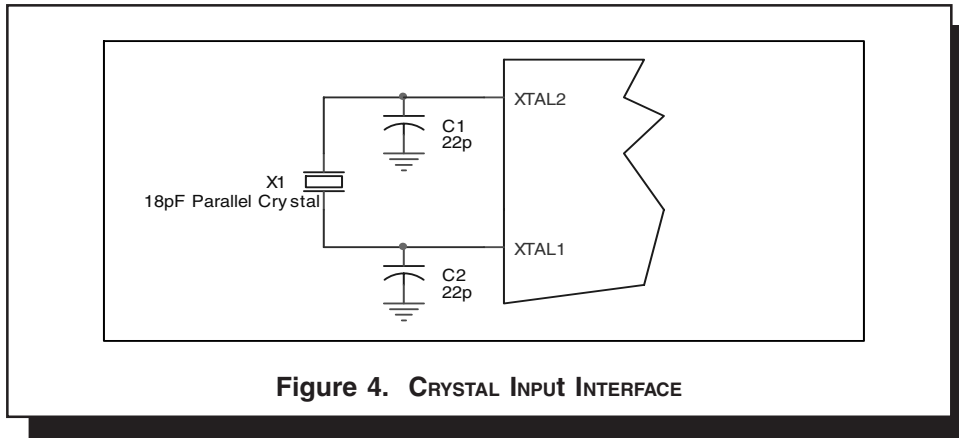
FIGURE 3B. LVPECL OUTPUT TERMINATION



### CRYSTAL INPUT INTERFACE

The ICS84325 has been characterized with 18pF parallel resonant crystals. The capacitor values, C1 and C2, shown in *Figure 3* below were determined using a 25MHz, 18pF parallel resonant crystal and

were chosen to minimize the ppm error. The optimum C1 and C2 values can be slightly adjusted for different board layouts.

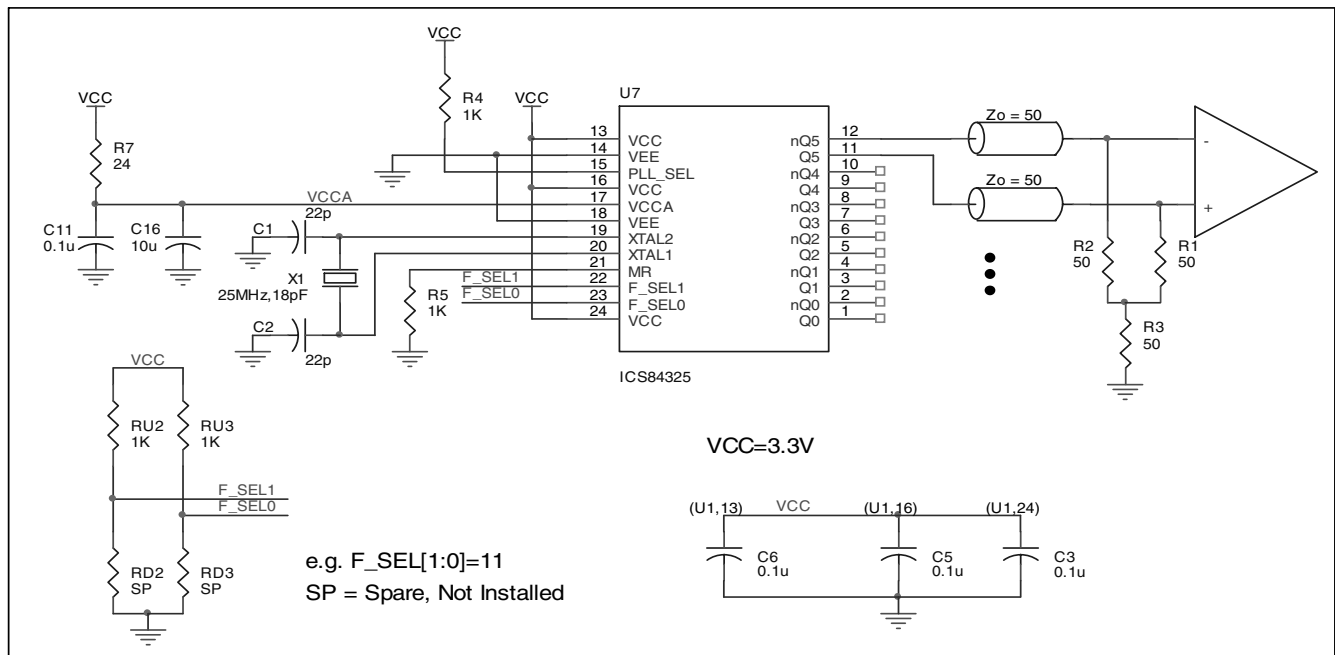


**Figure 4. CRYSTAL INPUT INTERFACE**

### SCHEMATIC EXAMPLE

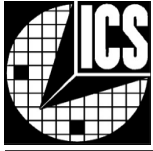
*Figure 5A* shows a schematic example of using an ICS84325. In this example, the input is a 25MHz parallel resonant crystal with load capacitor  $C_L=18pF$ . The frequency fine tuning capacitors C1 and C2 are 22pF respectively. This example also shows logic control input handling. The configuration is set at  $F\_SEL[1:0]=11$

therefore the output frequency is 250MHz. It is recommended to have one decouple capacitor per power pin. Each decoupling capacitor should be located as close as possible to the power pin. The low pass filter R7, C11 and C16 for clean analog supply should also be located as close to the  $V_{CCA}$  pin as possible.



**FIGURE 5A. ICS84325 SCHEMATIC EXAMPLE**





The following component footprints are used in this layout example:

All the resistors and capacitors are size 0603.

**POWER AND GROUNDING**

Place the decoupling capacitors C3, C5 and C6, as close as possible to the power pins. If space allows, placement of the decoupling capacitor on the component side is preferred. This can reduce unwanted inductance between the decoupling capacitor and the power pin caused by the via.

Maximize the power and ground pad sizes and number of vias capacitors. This can reduce the inductance between the power and ground planes and the component power and ground pins.

The RC filter consisting of R7, C11, and C16 should be placed as close to the V<sub>DDA</sub> pin as possible.

**CLOCK TRACES AND TERMINATION**

Poor signal integrity can degrade the system performance or cause system failure. In synchronous high-speed digital systems, the clock signal is less tolerant to poor signal integrity than other signals. Any ringing on the rising or falling edge or excessive ring back can cause system failure. The shape of the trace and the trace delay might be restricted by the available space on the board and the component location. While routing the traces, the clock signal traces should be routed first and should be locked prior to routing other signal traces.

- The differential 100Ω output traces should have the same length.
- Avoid sharp angles on the clock trace. Sharp angle turns cause the characteristic impedance to change on the transmission lines.
- Keep the clock traces on the same layer. Whenever possible, avoid placing vias on the clock traces. Placement of vias on the traces can affect the trace characteristic impedance and hence degrade signal integrity.
- To prevent cross talk, avoid routing other signal traces in parallel with the clock traces. If running parallel traces is unavoidable, allow a separation of at least three trace widths between the differential clock trace and the other signal trace.
- Make sure no other signal traces are routed between the clock trace pair.
- The matching termination resistors should be located as close to the receiver input pins as possible.

**CRYSTAL**

The crystal X1 should be located as close as possible to the pins 20 (XTAL1) and 19 (XTAL2). The trace length between the X1 and U1 should be kept to a minimum to avoid unwanted parasitic inductance and capacitance. Other signal traces should not be routed near the crystal traces.

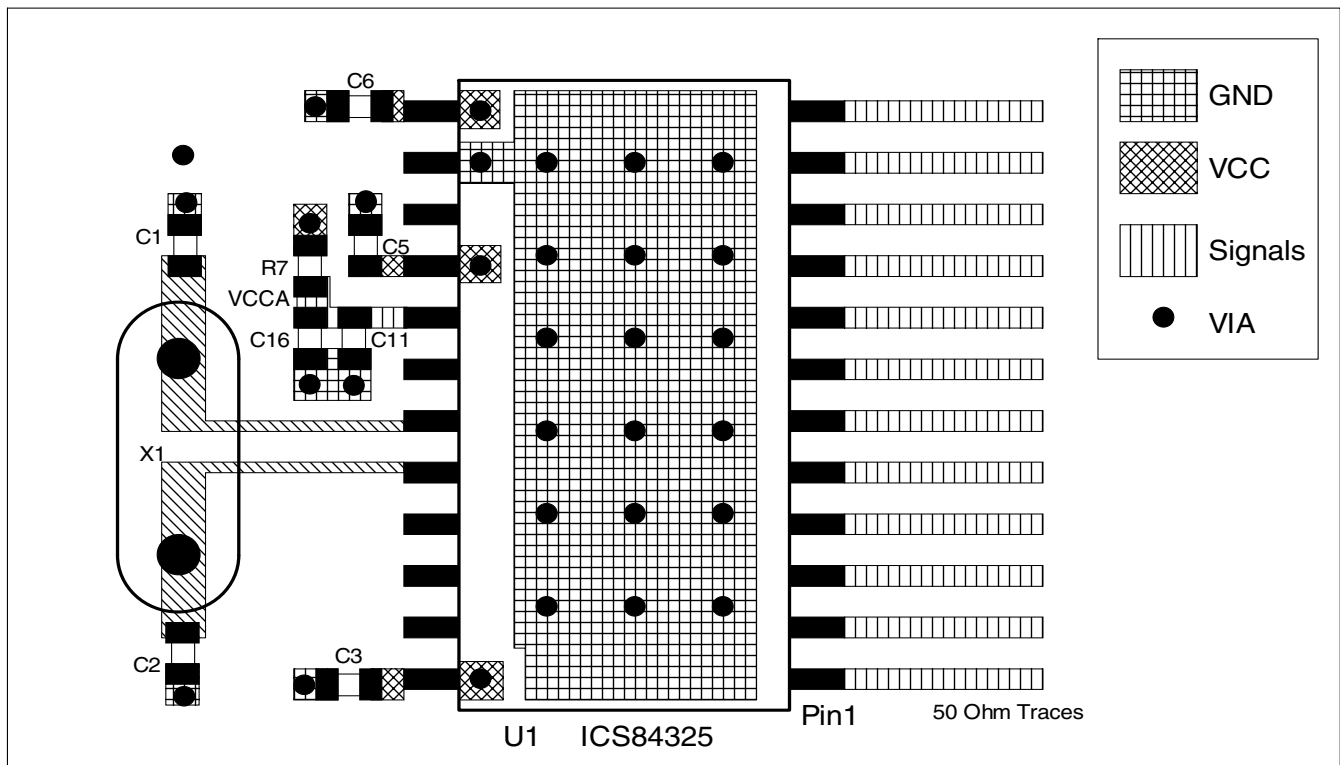


FIGURE 5B. PCB BOARD LAYOUT FOR ICS84325



## POWER CONSIDERATIONS

This section provides information on power dissipation and junction temperature for the ICS84325. Equations and example calculations are also provided.

### 1. Power Dissipation.

The total power dissipation for the ICS84325 is the sum of the core power plus the power dissipated in the load(s). The following is the power dissipation for  $V_{CC} = 3.3V + 5\% = 3.465V$ , which gives worst case results.

**NOTE:** Please refer to Section 3 for details on calculating power dissipated in the load.

- Power (core)<sub>MAX</sub> =  $V_{CC\_MAX} * I_{EE\_MAX} = 3.465V * 210mA = 727.7mW$
- Power (outputs)<sub>MAX</sub> = **30.2mW/Loaded Output pair**  
If all outputs are loaded, the total power is  $6 * 30.2mW = 181mW$

$$\text{Total Power}_{MAX} (3.465V, \text{ with all outputs switching}) = 727.7mW + 181mW = 908.7mW$$

### 2. Junction Temperature.

Junction temperature,  $T_j$ , is the temperature at the junction of the bond wire and bond pad and directly affects the reliability of the device. The maximum recommended junction temperature for HiPerClockS™ devices is 125°C.

The equation for  $T_j$  is as follows:  $T_j = \theta_{JA} * Pd\_total + T_A$

$T_j$  = Junction Temperature

$\theta_{JA}$  = Junction-to-Ambient Thermal Resistance

$Pd\_total$  = Total Device Power Dissipation (example calculation is in section 1 above)

$T_A$  = Ambient Temperature

In order to calculate junction temperature, the appropriate junction-to-ambient thermal resistance  $\theta_{JA}$  must be used. Assuming a moderate air flow of 200 linear feet per minute and a multi-layer board, the appropriate value is 43°C/W per Table 6 below.

Therefore,  $T_j$  for an ambient temperature of 70°C with all outputs switching is:

$$70^\circ C + 0.909W * 43^\circ C/W = 113.9^\circ C. \text{ This is well below the limit of } 125^\circ C.$$

This calculation is only an example.  $T_j$  will obviously vary depending on the number of loaded outputs, supply voltage, air flow, and the type of board (single layer or multi-layer).

**TABLE 6. THERMAL RESISTANCE  $\theta_{JA}$  FOR 24-PIN SOIC, FORCED CONVECTION**

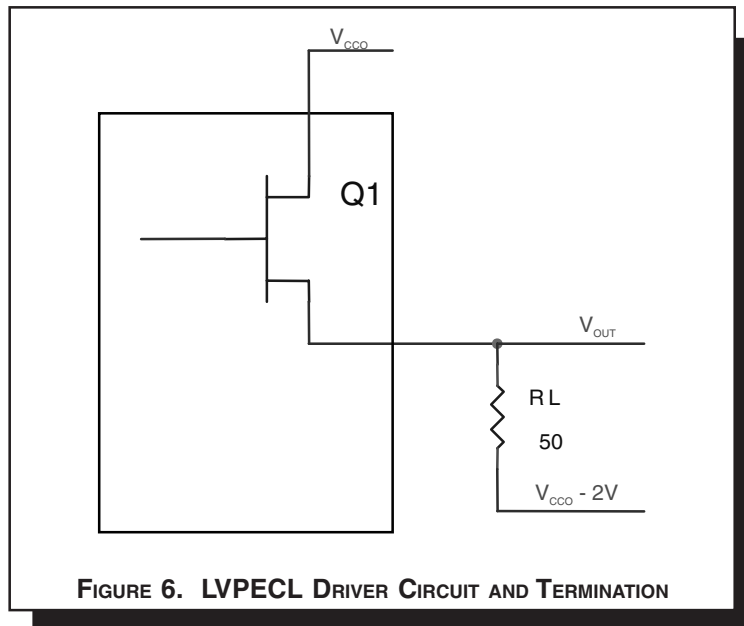
$\theta_{JA}$ by Velocity (Linear Feet per Minute)			
	0	200	500
Multi-Layer PCB, JEDEC Standard Test Boards	50°C/W	43°C/W	38°C/W
<b>NOTE:</b> Most modern PCB designs use multi-layered boards. The data in the second row pertains to most designs.			



3. Calculations and Equations.

The purpose of this section is to derive the power dissipated into the load.

LVPECL output driver circuit and termination are shown in Figure 6.



To calculate worst case power dissipation into the load, use the following equations which assume a 50Ω load, and a termination voltage of  $V_{CCO} - 2V$ .

- For logic high,  $V_{OUT} = V_{OH\_MAX} = V_{CCO\_MAX} - 1.0V$

$$(V_{CCO\_MAX} - V_{OH\_MAX}) = 1.0V$$

- For logic low,  $V_{OUT} = V_{OL\_MAX} = V_{CCO\_MAX} - 1.7V$

$$(V_{CCO\_MAX} - V_{OL\_MAX}) = 1.7V$$

$Pd\_H$  is power dissipation when the output drives high.  
 $Pd\_L$  is the power dissipation when the output drives low.

$$Pd\_H = [(V_{OH\_MAX} - (V_{CCO\_MAX} - 2V))/R_L] * (V_{CCO\_MAX} - V_{OH\_MAX}) = [(2V - (V_{CCO\_MAX} - V_{OH\_MAX}))/R_L] * (V_{CCO\_MAX} - V_{OH\_MAX}) = [(2V - 1V)/50\Omega] * 1V = \mathbf{20.0mW}$$

$$Pd\_L = [(V_{OL\_MAX} - (V_{CCO\_MAX} - 2V))/R_L] * (V_{CCO\_MAX} - V_{OL\_MAX}) = [(2V - (V_{CCO\_MAX} - V_{OL\_MAX}))/R_L] * (V_{CCO\_MAX} - V_{OL\_MAX}) = [(2V - 1.7V)/50\Omega] * 1.7V = \mathbf{10.2mW}$$

Total Power Dissipation per output pair =  $Pd\_H + Pd\_L = \mathbf{30.2mW}$



## RELIABILITY INFORMATION

**TABLE 7.  $\theta_{JA}$  vs. AIR FLOW TABLE FOR 24 LEAD SOIC**

$\theta_{JA}$ by Velocity (Linear Feet per Minute)			
	<b>0</b>	<b>200</b>	<b>500</b>
Multi-Layer PCB, JEDEC Standard Test Boards	50°C/W	43°C/W	38°C/W

**NOTE:** Most modern PCB designs use multi-layered boards. The data in the second row pertains to most designs.

### TRANSISTOR COUNT

The transistor count for ICS84325 is: 3500



PACKAGE OUTLINE - M SUFFIX FOR 24 LEAD SOIC

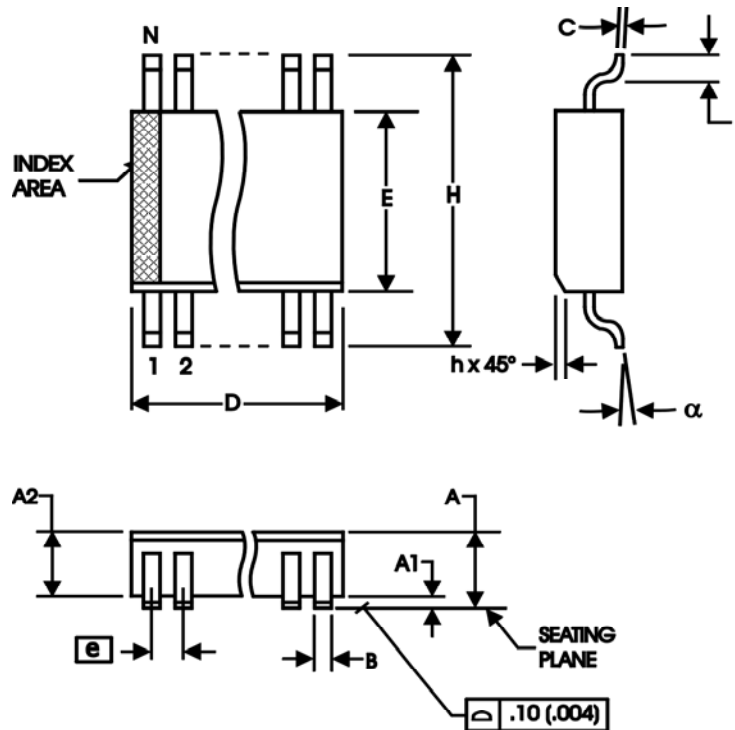
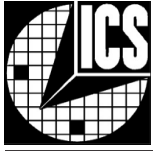


TABLE 8. PACKAGE DIMENSIONS

SYMBOL	Millimeters	
	Minimum	Maximum
N	24	
A	--	2.65
A1	0.10	--
A2	2.05	2.55
B	0.33	0.51
C	0.18	0.32
D	15.20	15.85
E	7.40	7.60
e	1.27 BASIC	
H	10.00	10.65
h	0.25	0.75
L	0.40	1.27
α	0°	8°

Reference Document: JEDEC Publication 95, MS-013, MO-119



Integrated  
Circuit  
Systems, Inc.

# ICS84325

## CRYSTAL-TO-3.3V LVPECL FREQUENCY SYNTHESIZER WITH FANOUT BUFFER

**TABLE 9. ORDERING INFORMATION**

Part/Order Number	Marking	Package	Count	Temperature
ICS84325EM	ICS84325EM	24 Lead SOIC	30 per tube	0°C to 70°C
ICS84325EMT	ICS84325EM	24 Lead SOIC on Tape and Reel	1000	0°C to 70°C
ICS84325EMLN	ICS84325EMLN	24 Lead "Lead-Free" SOIC	30 per tube	0°C to 70°C
ICS84325EMLNT	ICS84325EMLN	24 Lead "Lead-Free" SOIC on Tape and Reel	1000	0°C to 70°C

The aforementioned trademark, HiPerClockS™ is a trademark of Integrated Circuit Systems, Inc. or its subsidiaries in the United States and/or other countries. While the information presented herein has been checked for both accuracy and reliability, Integrated Circuit Systems, Incorporated (ICS) assumes no responsibility for either its use or for infringement of any patents or other rights of third parties, which would result from its use. No other circuits, patents, or licenses are implied. This product is intended for use in normal commercial applications. Any other applications such as those requiring extended temperature range, high reliability, or other extraordinary environmental requirements are not recommended without additional processing by ICS. ICS reserves the right to change any circuitry or specifications without notice. ICS does not authorize or warrant any ICS product for use in life support devices or critical medical instruments.



Integrated  
Circuit  
Systems, Inc.

**ICS84325**  
CRYSTAL-TO-3.3V LVPECL  
FREQUENCY SYNTHESIZER WITH FANOUT BUFFER

REVISION HISTORY SHEET				
Rev	Table	Page	Description of Change	Date
B	T3	3	LVPECL DC Characteristics Table Changed $V_{OH}$ max. from $V_{CCO} - 1.0V$ to $V_{CCO} - 0.8V$ . Changed $V_{SWING}$ max. from 1.0V to 1.2V. Corrected Units.	10/1/03
	T9	14	Ordering Information Table - added Lead-Free part number.	10/11/04