

Features

- Integrated Single-Chip 10/100/1000 Mbps Ethernet Switch
- 24 10/100 Mbps Autosensing, Fast Ethernet Ports with RMII or Serial Interface (7WS)
- 2 Gigabit Ports with GMII, PCS, 10/100 and stacking (2G per port) interface options per port
- Serial interface for configuration
- Supports two Frame Buffer Memory domains with SRAM at 100 MHz
- Supports memory size 2 MB, or 4 MB
 - For 24+2, two SRAM domains (2 MB or 4 MB) are required.
 - For 24+2 stacking (2G per stacking port), two ZBT domains (2 MB or 4 MB) are required.
- Applies centralized shared memory architecture
- Up to 64K MAC addresses
- Maximum throughput is 6.4 Gbps non-blocking
- High performance packet forwarding (19.047M packets per second) at full wire speed
- Full Duplex Ethernet IEEE 802.3x Flow Control
- Backpressure flow control for Half Duplex ports
- Supports Ethernet multicasting and broadcasting and flooding control

Ordering Information

MVTX2603AG 553 Pin HSBGA

-40°C to +85°C

- Supports per-system option to enable flow control for best effort frames even on QoS-enabled ports
- Load sharing among trunked ports can be based on source MAC and/or destination MAC. The Gigabit trunking group has one more option, based on source port.
- Port Mirroring to a dedicated port or port 23
- Built-in reset logic triggered by system malfunction
- I²C EEPROM for configuration
- Traffic Classification
 - 4 transmission priorities for Fast Ethernet ports with 2 dropping levels
 - Classification based on:
 - Port based priority
 - VLAN Priority field in VLAN tagged frame

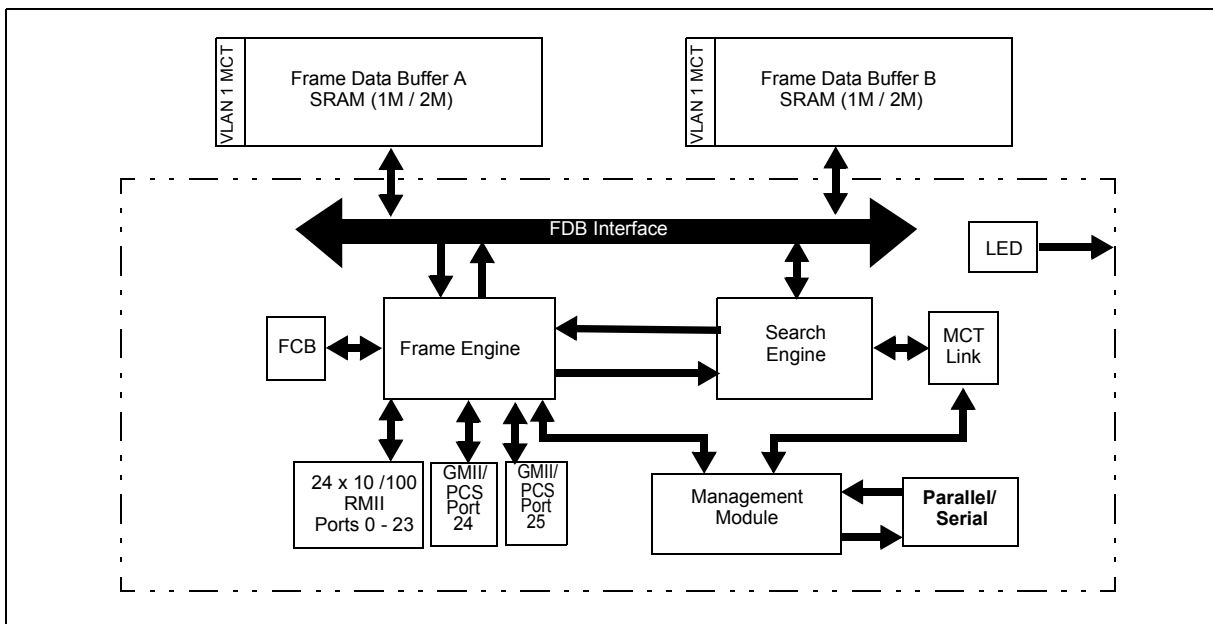


Figure 1 - MVTX2603 System Block Diagram

- DS/TOS field in IP packet
- UDP/TCP logical ports: 8 hard-wired and 8 programmable ports, including one programmable range
- The precedence of the above classifications is programmable.
- QoS Support
 - Supports IEEE 802.1p/Q Quality of Service with 4 transmission priority queues with delay bounded, strict priority, and WFQ service disciplines
 - Provides 2 levels of dropping precedence with WRED mechanism
 - User controls the WRED thresholds.
 - Buffer management: per class and per port buffer reservations
 - Port-based priority: VLAN priority in a tagged frame can be overwritten by the priority of Port VLAN ID.
- 3 port trunking groups, one for the 2 Gigabit ports, and two groups for 10/100 ports, with up to 4 10/100 ports per group
- Full set of LED signals provided by a serial interface, or 6 LED signals dedicated to Gigabit port status only (without serial interface)
- Hardware auto-negotiation through serial management interface (MDIO) for Ethernet ports
- Hardware auto-negotiation through serial management interface (MDIO) for Ethernet ports
- Built-In Self Test for internal and external SRAM

Description

The MVTX2603 is a high density, low cost, high performance, non-blocking Ethernet switch chip. A single chip provides 24 ports at 10/100 Mbps, 2 ports at 1000 Mbps. The Gigabit ports can also support 10/100M and 2G stacking modes.

The chip supports up to 64K MAC addresses. The centralized shared memory architecture permits a very high performance packet forwarding rate at up to 9.524M packets per second at full wire speed. The chip is optimized to provide low-cost, high-performance workgroup switching.

Two Frame Buffer Memory domains utilize cost-effective, high-performance synchronous SRAM with aggregate bandwidth of 12.8 Gbps to support full wire speed on all ports simultaneously. In the 24+2 stacking (2G per stacking port) configuration, 2 ZBT domains are needed.

With delay bounded, strict priority, and/or WFQ transmission scheduling, and WRED dropping schemes, the MVTX2603 provides powerful QoS functions for various multimedia and mission-critical applications. The chip provides 4 transmission priorities (8 priorities per Gigabit port) and 2 levels of dropping precedence. Each packet is assigned a transmission priority and dropping precedence based on the VLAN priority field in a VLAN tagged frame, or the DS/TOS field, or the UDP/TCP logical port fields in IP packets. The MVTX2603 recognizes a total of 16 UDP/TCP logical ports, 8 hard-wired and 8 programmable (including one programmable range).

The MVTX2603 supports 3 groups of port trunking/load sharing. One group is dedicated to the two Gigabit ports, and the other two groups to 10/100 ports, where each 10/100 group can contain up to 4 ports. Port trunking/load sharing can be used to group ports between interlinked switches to increase the effective network bandwidth.

In half-duplex mode, all ports support backpressure flow control, to minimize the risk of losing data during long activity bursts. In full-duplex mode, IEEE 802.3x flow control is provided. The MVTX2603 also supports a per-system option to enable flow control for best effort frames, even on QoS-enabled ports.

The Physical Coding Sublayer (PCS) is integrated on-chip to provide a direct 10-bit interface for connection to SERDES chips. The PCS can be bypassed to provide a GMII interface.

The MVTX2603 is fabricated using 0.25 micron technology. Inputs, however, are 3.3 V tolerant, and the outputs are capable of directly interfacing to LVTTTL levels. The MVTX2603 is packaged in a 553-pin Ball Grid Array package.

Table of Contents

1.0 Block Functionality	13
1.1 Frame Data Buffer (FDB) Interfaces.....	13
1.2 GMII/PCS MAC Module (GMAC)	13
1.3 Physical Coding Sublayer (PCI) Interface	13
1.4 10/100 MAC Module (RMAC).....	13
1.5 Configuration Interface Module	14
1.6 Frame Engine	14
1.7 Search Engine	14
1.8 LED Interface.....	14
1.9 Internal Memory.....	14
2.0 System Configuration	14
2.1 Configuration Mode	14
2.2 I2C Interface	14
2.2.1 Start Condition	14
2.2.2 Address	15
2.2.3 Data Direction	15
2.2.4 Acknowledgment.....	15
2.2.5 Data.....	15
2.2.6 Stop Condition.....	15
2.3 Synchronous Serial Interface	15
2.3.1 Write Command	16
2.3.2 Read Command	16
2.4 Stacking	16
3.0 MVTX2603 Data Forwarding Protocol	16
3.1 Unicast Data Frame Forwarding.....	16
3.2 Multicast Data Frame Forwarding	17
4.0 Memory Interface.....	18
4.1 Overview.....	18
4.2 ZBT Support	18
4.3 Detailed Memory Information	18
4.4 Memory Requirements	19
5.0 Search Engine	19
5.1 Search Engine Overview	19
5.2 Basic Flow	19
5.3 Search, Learning, and Aging.....	20
5.3.1 MAC Search.....	20
5.3.2 Learning	20
5.3.3 Aging	20
5.4 Quality of Service	20
5.5 Priority Classification Rule.....	21
5.6 Port Based VLAN	22
5.7 Memory Configurations	22
6.0 Frame Engine.....	26
6.1 Data Forwarding Summary.....	26
6.2 Frame Engine Details.....	26
6.2.1 FCB Manager.....	26
6.2.2 Rx Interface.....	26
6.2.3 RxDMA.....	26
6.2.4 TxQ Manager	26
6.3 Port Control	27

Table of Contents

6.4 TxDMA	27
7.0 Quality of Service and Flow Control	27
7.1 Model	27
7.2 Four QoS Configurations	28
7.3 Delay Bound	29
7.4 Strict Priority and Best Effort	29
7.5 Weighted Fair Queuing	30
7.6 Shaper	30
7.7 WRED Drop Threshold Management Support	31
7.8 Buffer Management	31
7.8.1 Dropping When Buffers Are Scarce	32
7.9 MVTX2603 Flow Control Basics	33
7.9.1 Unicast Flow Control	33
7.9.2 Multicast Flow Control	33
7.10 Mapping to IETF Diffserv Classes	34
8.0 Port Trunking	35
8.1 Features and Restrictions	35
8.2 Unicast Packet Forwarding	35
8.3 Multicast Packet Forwarding	35
8.4 Trunking	36
9.0 Port Mirroring	36
9.1 Port Mirroring Features	36
9.2 Setting Registers for Port Mirroring	36
10.0 TBI Interface	37
11.0 GPSI (7WS) Interface	38
11.1 11.1GPSI Connection	38
11.2 SCAN LINK and SCAN COL interface	39
12.0 LED Interface	39
12.1 LED Interface Introduction	39
12.2 Port Status	39
12.3 LED Interface Timing Diagram	40
13.0 Register Definition	41
13.1 MVTX2603 Register Description	41
13.2 Group 0 Address MAC Ports Group	44
13.2.1 ECR1Pn: Port N Control Register	44
13.2.2 ECR2Pn: Port N Control Register	45
13.2.3 GGControl – Extra GIGA Port Control	46
13.3 Group 1 Address VLAN Group	47
13.3.1 AVTCL – VLAN Type Code Register Low	47
13.3.2 AVTCH – VLAN Type Code Register High	47
13.3.3 PVMAP00_0 – Port 00 Configuration Register 0	47
13.3.4 PVMAP00_1 – Port 00 Configuration Register 1	47
13.3.5 PVMAP00_2 – Port 00 Configuration Register 2	47
13.3.6 PVMAP00_3 – Port 00 Configuration Register 3	47
13.4 Port Configuration Register	48
13.4.1 PVMODE	49
13.4.2 TRUNK0_MODE – Trunk group 0 mode	49
13.4.3 TRUNK1_MODE – Trunk group 1 mode	50
13.5 Group 4 Address Search Engine Group	50

Table of Contents

13.5.1 TX_AGE – Tx Queue Aging timer	50
13.5.2 AGETIME_LOW – MAC address aging time Low	50
13.5.3 AGETIME_HIGH –MAC address aging time High	51
13.5.4 SE_OPMODE – Search Engine Operation Mode	51
13.6 Group 5 Address Buffer Control/QOS Group	51
13.6.1 FCBAT – FCB Aging Timer	51
13.6.2 QOSC – QOS Control	51
13.6.3 FCR – Flooding Control Register	52
13.6.4 AVPML – VLAN Priority Map	53
13.6.5 AVPMM – VLAN Priority Map	53
13.6.6 AVPMH – VLAN Priority Map	53
13.6.7 TOSPML – TOS Priority Map	54
13.6.8 TOSPMM – TOS Priority Map	54
13.6.9 TOSPMH – TOS Priority Map	54
13.6.10 AVDM – VLAN Discard Map	55
13.6.11 TOSDML – TOS Discard Map	55
13.6.12 BMRC - Broadcast/Multicast Rate Control	56
13.6.13 UCC – Unicast Congestion Control	56
13.6.14 MCC – Multicast Congestion Control	56
13.6.15 PR100 – Port Reservation for 10/100 ports	57
13.6.16 PRG – Port Reservation for Giga ports	57
13.6.17 SFCB – Share FCB Size	58
13.6.18 C2RS – Class 2 Reserve Size	58
13.6.19 C3RS – Class 3 Reserve Size	58
13.6.20 C4RS – Class 4 Reserve Size	58
13.6.21 C5RS – Class 5 Reserve Size	58
13.6.22 C6RS – Class 6 Reserve Size	59
13.6.23 C7RS – Class 7 Reserve Size	59
13.6.24 Classes Byte Limit Set 0	59
13.6.25 Classes Byte Limit Set 1	59
13.6.26 Classes Byte Limit Set 2	60
13.6.27 Classes Byte Limit Set 3	60
13.6.28 Classes Byte Limit Giga Port 1	60
13.6.29 Classes Byte Limit Giga Port 2	61
13.6.30 Classes WFQ Credit Set 0	61
13.6.31 Classes WFQ Credit Set 1	61
13.6.32 Classes WFQ Credit Set 2	62
13.6.33 Classes WFQ Credit Set 3	62
13.6.34 Classes WFQ Credit Port G1	62
13.6.35 Classes WFQ Credit Port G2	63
13.6.36 Class 6 Shaper Control Port G1	63
13.6.37 Class 6 Shaper Control Port G2	63
13.6.38 RDRC0 – WRED Rate Control 0	64
13.6.39 RDRC1 – WRED Rate Control 1	64
13.6.40 User Defined Logical Ports and Well Known Ports	64
13.6.40.1 USER_PORT0_(0~7) – User Define Logical Port (0~7)	65
13.6.40.2 USER_PORT_[1:0]_PRIORITY - User Define Logic Port 1 and 0 Priority	65
13.6.40.3 USER_PORT_[3:2]_PRIORITY - User Define Logic Port 3 and 2 Priority	65
13.6.40.4 USER_PORT_[5:4]_PRIORITY - User Define Logic Port 5 and 4 Priority	66
13.6.40.5 USER_PORT_[7:6]_PRIORITY - User Define Logic Port 7 and 6 Priority	66
13.6.40.6 USER_PORT_ENABLE [7:0] – User Define Logic 7 to 0 Port Enables	66
13.6.40.7 WELL_KNOWN_PORT [1:0] PRIORITY- Well Known Logic Port 1 and 0 Priority	66

Table of Contents

13.6.40.8 WELL_KNOWN_PORT [3:2] PRIORITY- Well Known Logic Port 3 and 2 Priority	66
13.6.40.9 WELL_KNOWN_PORT [5:4] PRIORITY- Well Known Logic Port 5 and 4 Priority	67
13.6.40.10 WELL_KNOWN_PORT [7:6] PRIORITY- Well Known Logic Port 7 and 6 Priority	67
13.6.40.11 WELL_KNOWN_PORT_ENABLE [7:0] – Well Known Logic 7 to 0 Port Enables	67
13.6.40.12 RLOWL – User Define Range Low Bit 7:0	67
13.6.40.13 RLOWH – User Define Range Low Bit 15:8	67
13.6.40.14 RHIGHL – User Define Range High Bit 7:0	67
13.6.40.15 RHIGHH – User Define Range High Bit 15:8	68
13.6.40.16 RPRIORITY – User Define Range Priority	68
13.7 Group 6 Address MISC Group	68
13.7.1 MII_OP0 – MII Register Option 0	68
13.7.2 MII_OP1 – MII Register Option 1	69
13.7.3 FEN – Feature Register	69
13.7.4 MIIC0 – MII Command Register 0	69
13.7.5 MIIC1 – MII Command Register 1	69
13.7.6 MIIC2 – MII Command Register 2	70
13.7.7 MIIC3 – MII Command Register 3	70
13.7.8 MIID0 – MII Data Register 0	70
13.7.9 MIID1 – MII Data Register 1	70
13.7.10 LED Mode – LED Control	70
13.7.11 CHECKSUM - EEPROM Checksum	71
13.8 Group 7 Address Port Mirroring Group	71
13.8.1 MIRROR1_SRC – Port Mirror source port	71
13.8.2 MIRROR1_DEST – Port Mirror destination	72
13.8.3 MIRROR2_SRC – Port Mirror source port	72
13.8.4 MIRROR2_DEST – Port Mirror destination	72
13.9 Group F Address CPU Access Group	72
13.9.1 GCR-Global Control Register	72
13.9.2 DCR-Device Status and Signature Register	73
13.9.3 DCR1-Giga port status	73
13.9.4 DPST – Device Port Status Register	74
13.9.5 DTST – Data read back register	75
13.9.6 PLLCR - PLL Control Register	75
13.9.7 LCLK - LA_CLK delay from internal OE_CLK	75
13.9.8 OECLK - Internal OE_CLK delay from SCLK	76
13.9.9 DA – DA Register	76
13.10 TBI Registers	76
13.10.1 Control Register	76
13.10.2 Status Register	77
13.10.3 Advertisement Register	77
13.10.4 Link Partner Ability Register	78
13.10.5 Expansion Register	78
13.10.6 Extended Status Register	79
14.0 BGA and Ball Signal Descriptions	80
14.1 BGA Views (Top-View)	80
14.1.1 Encapsulated View	80
14.1.2 Power and Ground Distribution	81
14.2 Ball – Signal Descriptions	82
14.2.1 Ball Signal Descriptions	82
14.3 Ball – Signal Name	90
14.4 AC/DC Timing	97
14.4.1 Absolute Maximum Ratings	97

Table of Contents

14.4.2 DC Electrical Characteristics.....	97
14.4.3 Recommended Operation Conditions.....	97
14.5 Local Frame Buffer SDRAM Memory Interface.....	98
14.5.1 Local SDRAM Memory Interface.....	98
14.6 Local Switch Database SDRAM Memory Interface.....	99
14.6.1 Local SDRAM Memory Interface:.....	99
14.7 AC Characteristics.....	101
14.7.1 Reduced Media Independent Interface.....	101
14.7.2 LED Interface.....	106
14.7.3 SCANLINK SCANCOL Output Delay Timing.....	106
14.7.4 MDIO Input Setup and Hold Timing.....	107
14.7.5 I2C Input Setup Timing.....	108
14.7.6 Serial Interface Setup Timing.....	109

List of Figures

Figure 1 - MVTX2603 System Block Diagram	1
Figure 2 - Data Transfer Format for I2C Interface.....	14
Figure 3 - Write Command.....	16
Figure 4 - Read Command	16
Figure 5 - MVTX2603 SRAM Interface Block Diagram (DMAs for 10/1000 Ports Only).....	18
Figure 6 - Memory Map.....	19
Figure 7 - Priority Classification Rule.....	21
Figure 8 - Memory Configuration For: 2 banks, 1 layer, 2MB total	23
Figure 9 - Memory Configuration For: 2 banks, 2 Layer, 4MB total	24
Figure 10 - Memory Configuration For: 2 banks, 1 layer, 4MB	24
Figure 11 - Memory Configuration For: 2 banks, 2 layers, 4MB total.....	25
Figure 12 - Memory Configuration For: 2 banks, 1 layer, 4MB	25
Figure 13 - Buffer Partition Scheme Used to Implement MVTX2603 Buffer Management.....	32
Figure 14 - TBI Connection.....	37
Figure 15 - GPSI (7WS) mode connection diagram.....	38
Figure 16 - SCAN LINK and SCAN COLLISON status diagram.....	39
Figure 17 - Timing Diagram of LED Interface	40
Figure 18 - BGA View	80
Figure 19 - Power and Ground Distribution View.....	81
Figure 20 - Local Memory Interface – Input setup and hold timing.....	98
Figure 21 - Local Memory Interface - Output valid delay timing.....	98
Figure 22 - Local Memory Interface – Input setup and hold timing.....	99
Figure 23 - Local Memory Interface - Output valid delay timing.....	100
Figure 24 - AC Characteristics – Reduced Media Independent Interface.....	101
Figure 25 - AC Characteristics – Reduced Media Independent Interface.....	101
Figure 26 - AC Characteristics- GMII.....	102
Figure 27 - AC Characteristics – Gigabit Media Independent Interface.....	102
Figure 28 - AC Characteristics – Gigabit Media Independent Interface.....	102
Figure 29 - Gigabit TBI Interface Transmit Timing.....	103
Figure 30 - Gigabit TBI Interface Receive Timing.....	103
Figure 31 - AC Characteristics- GMII.....	104
Figure 32 - AC Characteristics – Gigabit Media Independent Interface.....	104
Figure 33 - Gigabit TBI Interface Transmit Timing.....	105
Figure 34 - Gigabit TBI Interface Timing.....	105
Figure 35 - AC Characteristics – LED Interface	106
Figure 36 - SCANLINK SCANCOL Output Delay Timing.....	106
Figure 37 - SCANLINK, SCANCOL Setup Timing	106
Figure 38 - MDIO Input Setup and Hold Timing.....	107
Figure 39 - MDIO Output Delay Timing	107
Figure 40 - I2C Input Setup Timing.....	108
Figure 41 - I2C Output Delay Timing	108
Figure 42 - Serial Interface Setup Timing	109
Figure 43 - Serial Interface Output Delay Timing.....	109

List of Tables

Table 1 - Memory Configuration	19
Table 2 - PVMAP Register	22
Table 3 - Supported Memory Configurations (Pipeline SDRAM Mode)	22
Table 4 - Supported Memory Configurations (ZBT Mode)	23
Table 5 - Options for Memory Configuration	23
Table 6 - Two-dimensional World Traffic	27
Table 7 - Four QoS Configurations for a 10/100 Mbps Port	28
Table 8 - Four QoS Configurations for a Gigabit Port	29
Table 9 - WRED Drop Thresholds	31
Table 10 - Mapping between MVTX2603 and IETF Diffserv Classes for Gigabit Ports	34
Table 11 - Mapping between MVTX2603 and IETF Diffserv Classes for 10/100 Ports	34
Table 12 - MVTX2603 Features Enabling IETF Diffserv Standards	34
Table 13 - AC Characteristics – Local frame buffer SDRAM Memory Interface	99
Table 14 - AC Characteristics – Local Switch Database SDRAM Memory Interface	100
Table 15 - AC Characteristics – Reduced Media Independent Interface	101
Table 16 - Output Delay Timing	103
Table 17 - Input Setup Timing	103
Table 18 - AC Characteristics – Gigabit Media Independent Interface	104
Table 19 - Output Delay Timing	105
Table 20 - Input Setup Timing	105
Table 21 - AC Characteristics – LED Interface	106
Table 22 - SCANLINK, SCANCOL Timing	107
Table 23 - MDIO Timing	107
Table 24 - I2C Timing	108
Table 25 - Serial Interface Timing	109

1.0 Block Functionality

1.1 Frame Data Buffer (FDB) Interfaces

The FDB interface supports pipelined synchronous burst SRAM (SBRAM) memory at 100 MHz. To ensure a non-blocking switch, two memory domains are required. Each domain has a 64 bit wide memory bus. At 100 MHz, the aggregate memory bandwidth is 12.8 Gbps, which is enough to support 24 10/100 Mbps and 2 Gigabit ports at full wire speed switching. For 24+ 2 stacking application, ZBT memory at 125 MHz is required.

The Switching Database is also located in the external SBRAM; it is used for storing MAC addresses and their physical port number. It is duplicated and stored in both memory domains. Therefore, when the system updates the contents of the switching database, it has to write the entry to both domains at the same time.

1.2 GMII/PCS MAC Module (GMAC)

The GMII/PCS Media Access Control (MAC) module provides the necessary buffers and control interface between the Frame Engine (FE) and the external physical device (PHY).

The MVTX2603 GMAC implements both GMII and MII interfaces, which offers a simple migration from 10/100 to 1G. The GMAC of the MVTX2603 meets the IEEE 802.3Z specification. It is able to operate in 10M/100M either Half or Full Duplex mode with a back pressure/flow control mechanism or in 1G full duplex mode with flow control mechanism. Furthermore, it will automatically retransmit upon collision for up to 16 total transmissions. PHY addresses for GMAC are 01h and 02h.

1.3 Physical Coding Sublayer (PCI) Interface

For the MVTX2603, the 1000BASE-X PCI Interface is designed internally and may be utilized in the absence of a GMII. The PCS incorporates all the functions required by the GMII to include encoding (decoding) 8B GMII data to (from) 8B/10B TBI format for PHY communication and generating Collision Detect (COL) signals for half-duplex mode. It also manages the Auto negotiation process by informing the management entity that the PHY is ready for communications. The on-chip TBI may be disabled if TBI exists within the Gigabit PHY. The TBI interface provides a uniform interface for all 1000 Mbps PHY implementations.

The PCS comprises the PCS Transmit, Synchronization, PCS Receive, and Auto negotiation processes for 1000BASE-X.

The PCS Transmit process sends the TBI signals TXD [9:0] to the physical medium and generates the GMII Collision Detect (COL) signal based on whether a reception is occurring simultaneously with transmission. Additionally, the Transmit process generates an internal “transmitting” flag and monitors Auto negotiation to determine whether to transmit data or to reconfigure the link.

The PCS Synchronization process determines whether or not the receive channel is operational.

The PCS Receive process generates RXD [7:0] on the GMII from the TBI data [9:0], and the internal “receiving” flag for use by the Transmit processes.

The PCS Auto negotiation process allows the MVTX2603 to exchange configuration information between two devices that share a link segment, and to automatically configure the link for the appropriate speed of operation for both devices.

1.4 10/100 MAC Module (RMAC)

The 10/100 Media Access Control module provides the necessary buffers and control interface between the Frame Engine (FE) and the external physical device (PHY). The MVTX2603 has two interfaces, RMII or Serial (only for 10M). The 10/100 MAC of the MVTX2603 device meets the IEEE 802.3 specification. It is able to operate in either Half or Full Duplex mode with a back pressure/flow control mechanism. In addition, it will automatically retransmit upon collision for up to 16 total transmissions. The PHY address for 24 10/100 MAC are from 08h to 1fh.

1.5 Configuration Interface Module

The MVTX2603 supports a serial and an I²C interface, which provides an easy way to configure the system. Once configured, the resulting configuration can be stored in an I²C EEPROM.

1.6 Frame Engine

The main function of the frame engine is to forward a frame to its proper destination port or ports. When a frame arrives, the frame engine parses the frame header (64 bytes) and formulates a switching request, which is sent to the search engine, to resolve the destination port. The arriving frame is moved to the FDB. After receiving a switch response from the search engine, the frame engine performs transmission scheduling based on the frame's priority. The frame engine forwards the frame to the MAC module when the frame is ready to be sent.

1.7 Search Engine

The Search Engine resolves the frame's destination port or ports according to the destination MAC address (L2). It also performs MAC learning, priority assignment, and trunking functions.

1.8 LED Interface

The LED interface provides a serial interface for carrying 24+2 port status signals. It can also provide direct status pins (6) for the two Gigabit ports.

1.9 Internal Memory

Several internal tables are required and are described as follows:

- Frame Control Block (FCB) - Each FCB entry contains the control information of the associated frame stored in the FDB, e.g. frame size, read/write pointer, transmission priority, etc.
- MCT Link Table - The MCT Link Table stores the linked list of MCT entries that have collisions in the external MAC Table. The external MAC table is located in the FDB Memory.

Note: the external MAC table is located in the external SBRAM Memory.

2.0 System Configuration

2.1 Configuration Mode

The MVTX2603 can be configured by EEPROM (24C02 or compatible) via an I²C interface at boot time, or via a synchronous serial interface during operation.

2.2 I²C Interface

The I²C interface uses two bus lines, a serial data line (SDA) and a serial clock line (SCL). The SCL line carries the control signals that facilitate the transfer of information from EEPROM to the switch. Data transfer is 8-bit serial and bidirectional, at 50 Kbps. Data transfer is performed between master and slave IC using a request / acknowledgment style of protocol. The master IC generates the timing signals and terminates data transfer. Figure 2 depicts the data transfer format.

START	SLAVE ADDRESS	R/W	ACK	DATA 1 (8 bits)	ACK	DATA 2	ACK	DATA M	ACK	STOP
-------	---------------	-----	-----	-----------------	-----	--------	-----	--------	-----	------

Figure 2 - Data Transfer Format for I²C Interface

2.2.1 Start Condition

Generated by the master (in our case, the MVTX2603). The bus is considered to be busy after the Start condition is generated. The Start condition occurs if while the SCL line is High, there is a High-to-Low transition of the SDA line.

Other than in the Start condition (and Stop condition), the data on the SDA line must be stable during the High period of SCL. The High or Low state of SDA can only change when SCL is Low. In addition, when the I²C bus is free, both lines are High.

2.2.2 Address

The first byte after the Start condition determines which slave the master will select. The slave in our case is the EEPROM. The first seven bits of the first data byte make up the slave address.

2.2.3 Data Direction

The eighth bit in the first byte after the Start condition determines the direction (R/W) of the message. A master transmitter sets this bit to W; a master receiver sets this bit to R.

2.2.4 Acknowledgment

Like all clock pulses, the acknowledgment-related clock pulse is generated by the master. However, the transmitter releases the SDA line (High) during the acknowledgment clock pulse. Furthermore, the receiver must pull down the SDA line during the acknowledge pulse so that it remains stable Low during the High period of this clock pulse. An acknowledgment pulse follows every byte transfer.

If a slave receiver does not acknowledge after any byte, then the master generates a Stop condition and aborts the transfer.

If a master receiver does not acknowledge after any byte, then the slave transmitter must release the SDA line to let the master generate the Stop condition.

2.2.5 Data

After the first byte containing the address, all bytes that follow are data bytes. Each byte must be followed by an acknowledge bit. Data is transferred MSB first.

2.2.6 Stop Condition

Generated by the master. The bus is considered to be free after the Stop condition is generated. The Stop condition occurs if while the SCL line is High, there is a Low-to-High transition of the SDA line.

The I²C interface serves the function of configuring the MVTX2603 at boot time. The master is the MVTX2603, and the slave is the EEPROM memory.

2.3 Synchronous Serial Interface

The synchronous serial interface serves the function of configuring the MVTX2603 *not* at boot time but via a PC. The PC serves as master and the MVTX2603 serves as slave. The protocol for the synchronous serial interface is nearly identical to the I²C protocol. The main difference is that there is no acknowledgment bit after each byte of data transferred.

The unmanaged MVTX2603 uses a synchronous serial interface to program the internal registers. To reduce the number of signals required, the register address, command and data are shifted in serially through the D0 pin. STROBE- pin is used as the shift clock. AUTOFD- pin is used as data return path.

Each command consists of four parts.

START pulse

Register Address

Read or Write command

Data to be written or read back

Any command can be aborted in the middle by sending a ABORT pulse to the MVTX2603.

A START command is detected when D0 is sampled high when STROBE- rise and D0 is sampled low when STROBE- fall.

An ABORT command is detected when D0 is sampled low when STROBE- rise and D0 is sampled high when STROBE- fall.

2.3.1 Write Command

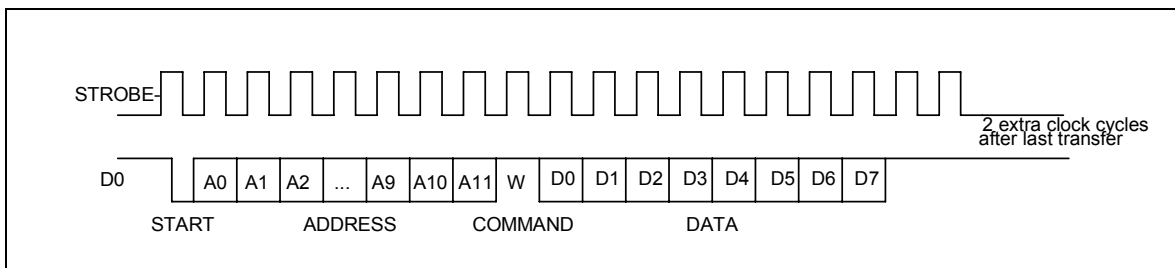


Figure 3 - Write Command

2.3.2 Read Command

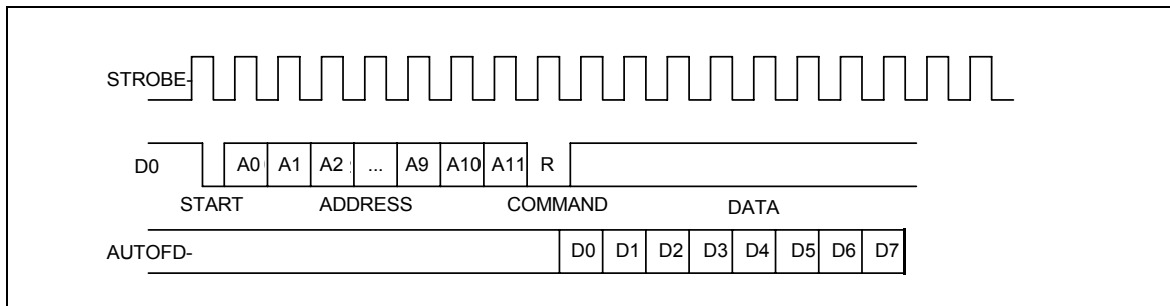


Figure 4 - Read Command

All registers in MVTX2603 can be modified through this synchronous serial interface.

2.4 Stacking

The two Gigabits ports can be used as link between boxes. Each Gigabit port can be accelerated to 2 Gbps if desired (in conjunction with ZBT memory domains at 125MHz). If both Gigabit ports are used for this purpose, this provides a total of 4 Gbps of bandwidth between devices.

3.0 MVTX2603 Data Forwarding Protocol

3.1 Unicast Data Frame Forwarding

When a frame arrives, it is assigned a handle in memory by the Frame Control Buffer Manager (FCB Manager). An FCB handle will always be available, because of advance buffer reservations.

The memory (SRAM) interface consists of two 64-bit buses, connected to two SRAM banks, A and B. The Receive DMA (RxDMA) is responsible for multiplexing the data and the address. On a port's "turn," the RxDMA will move 8 bytes (or up to the end-of-frame) from the port's associated Rx FIFO into memory (Frame Data Buffer, or FDB).

Once an entire frame has been moved to the FDB, and a good end-of-frame (EOF) has been received, the Rx interface makes a switch request. The RxDMA arbitrates among multiple switch requests.

The switch request consists of the first 64 bytes of a frame, containing among other things, the source and destination MAC addresses of the frame. The search engine places a switch response in the switch response queue of the frame engine when done. Among other information, the search engine will have resolved the destination port of the frame and will have determined that the frame is unicast.

After processing the switch response, the Transmission Queue Manager (TxQ manager) of the frame engine is responsible for notifying the destination port that it has a frame to forward to it. But first, the TxQ manager has to decide whether or not to drop the frame, based on global FDB reservations and usage, as well as TxQ occupancy at the destination. If the frame is not dropped, then the TxQ manager links the frame's FCB to the correct per-port-per-class TxQ. Unicast TxQ's are linked lists of transmission jobs, represented by their associated frames' FCB's. There is one linked list for each transmission class for each port. There are 4 transmission classes for each of the 24 10/100 ports, and 8 classes for each of the two Gigabit ports – a total of 112 unicast queues.

The TxQ manager is responsible for scheduling transmission among the queues representing different classes for a port. When the port control module determines that there is room in the MAC Transmission FIFO (TxFIFO) for another frame, it requests the handle of a new frame from the TxQ manager. The TxQ manager chooses among the head-of-line (HOL) frames from the per-class queues for that port, using a Zarlink Semiconductor scheduling algorithm.

The Transmission DMA (TxDMA) is responsible for multiplexing the data and the address. On a port's turn, the TxDMA will move 8 bytes (or up to the EOF) from memory into the port's associated TxFIFO. After reading the EOF, the port control requests a FCB release for that frame. The TxDMA arbitrates among multiple buffer release requests.

The frame is transmitted from the TxFIFO to the line.

3.2 Multicast Data Frame Forwarding

After receiving the switch response, the TxQ manager has to make the dropping decision. A global decision to drop can be made, based on global FDB utilization and reservations. If so, then the FCB is released and the frame is dropped. In addition, a selective decision to drop can be made, based on the TxQ occupancy at some subset of the multicast packet's destinations. If so, then the frame is dropped at some destinations but not others, and the FCB is not released.

If the frame is not dropped at a particular destination port, then the TxQ manager formats an entry in the multicast queue for that port and class. Multicast queues are physical queues (unlike the linked lists for unicast frames). There are 2 multicast queues for each of the 24 10/100 ports. The queue with higher priority has room for 32 entries and the queue with lower priority has room for 64 entries. There are 4 multicast queues for each of the two Gigabit ports. The sizes of the queues are: 32 entries (higher priority queue, 32 entries, 32 entries and 64 entries (lower priority queue). There is one multicast queue for every two priority classes. For the 10/100 ports to map the 8 transmit priorities into 2 multicast queues, the 2 LSB are discarded. For the gigabit ports to map the 8 transmit priorities into 4 multicast queues, the LSB are discarded.

During scheduling, the TxQ manager treats the unicast queue and the multicast queue of the same class as one logical queue. The older head of line of the two queues is forwarded first.

The port control requests a FCB release only after the EOF for the multicast frame has been read by all ports to which the frame is destined.

4.0 Memory Interface

4.1 Overview

The MVTX2603 provides two 64-bit wide SRAM banks, SRAM Bank A and SRAM Bank B, with a 64-bit bus connected to each. Each DMA can read and write from both bank A and bank B. The following figure provides an overview of the MVTX2603 SRAM banks.

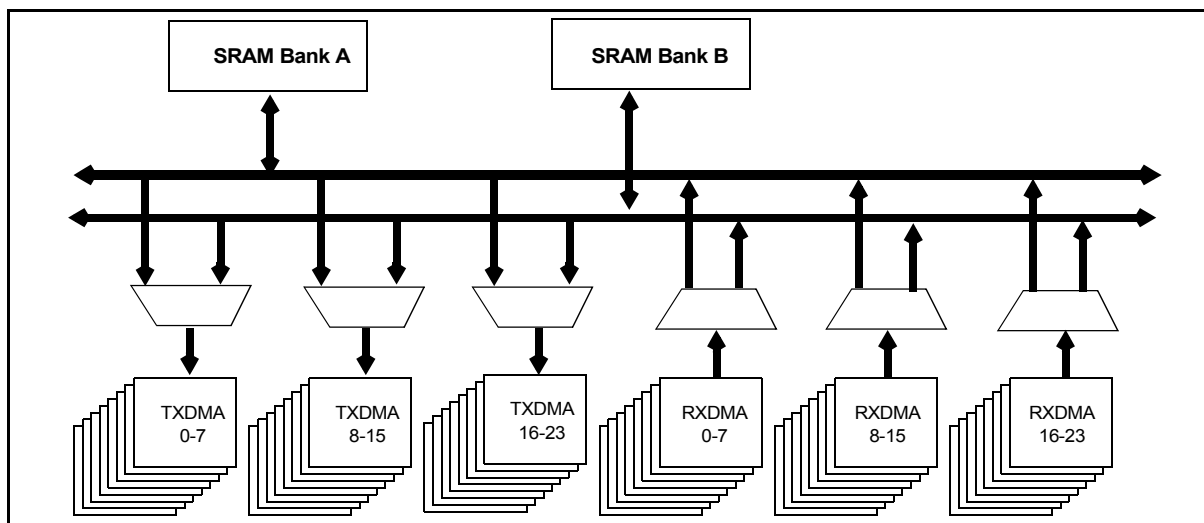


Figure 5 - MVTX2603 SRAM Interface Block Diagram (DMAs for 10/1000 Ports Only)

4.2 ZBT Support

The MVTX2603 supports Zero Bus Turnaround (ZBT). ZBT is a synchronous SRAM architecture that is optimized for networking and telecommunications applications. It can significantly increase the switch's internal bandwidth when compared to standard Pipeline SyncBurst SRAM.

The ZBT architecture is optimized for switching and other applications with highly random READs and WRITEs. ZBT SRAMs eliminate all idle cycles when turning the data bus around from a WRITE operation to a READ operation (or vice versa). This feature results in dramatic performance improvements in systems that have such traffic patterns (that is, frequent and random read and write access to the SRAM).

Please refer to the ZBT Application note for further details.

4.3 Detailed Memory Information

Because the bus for each bank is 64 bits wide, frames are broken into 8-byte granules, written to and read from memory. The first 8-byte granule gets written to Bank A, the second 8-byte granule gets written to Bank B, and so on in alternating fashion. When reading frames from memory, the same procedure is followed, first from A, then from B, and so on.

The reading and writing from alternating memory banks can be performed with minimal waste of memory bandwidth. What's the worst case? For any speed port, in the worst case, a 1-byte-long EOF granule gets written to Bank A. This means that a 7-byte segment of Bank A bandwidth is idle, and furthermore, the next 8-byte segment of Bank B bandwidth is idle, because the first 8 bytes of the next frame will be written to Bank A, not B. This scenario results in a maximum 15 bytes of waste per frame, which is always acceptable because the interframe gap is 20 bytes.

Search engine data is written to both banks in parallel. In this way, a search engine read operation can be performed by either bank at any time without a problem.

4.4 Memory Requirements

To speed up searching and decrease memory latency, the external MCT database is duplicated in both memory banks. To support 64K MCT, 4 MB memory is required. Up to 2K frame buffers are supported and they will use 3 MB of memory. The maximum system memory requirement is 4 MB. If less memory is desired, the configuration can scale down proportionally.

Bank A	Bank B	Frame Buffer	Max MAC Address
1M	1M	1K	32K
2M	2M	2K	64k

Table 1 - Memory Configuration

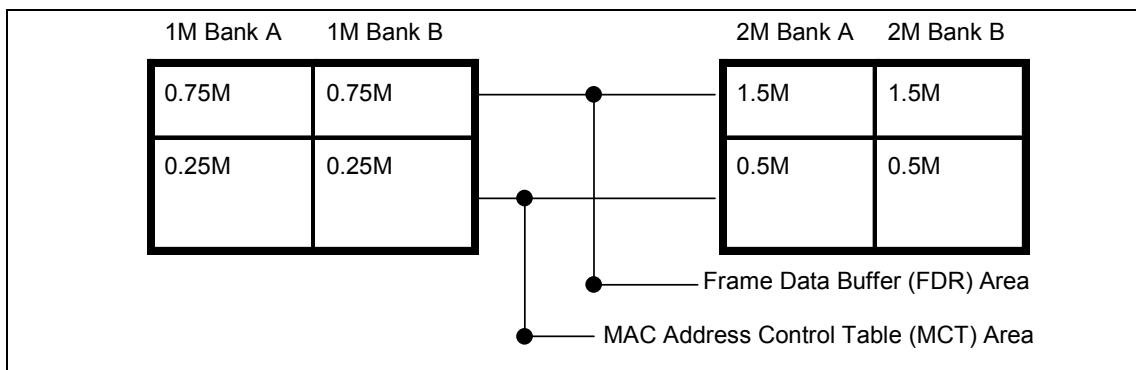


Figure 6 - Memory Map

5.0 Search Engine

5.1 Search Engine Overview

The MVTX2603 search engine is optimized for high throughput searching, with enhanced features to support:

- Up to 64K MAC addresses
- 3 groups of port trunking (1 for the two Gigabit ports, and 2 others)
- Traffic classification into 4 (or 8 for Gigabit) transmission priorities, and 2 drop precedence levels
- Flooding, Broadcast, Multicast Storm Control
- MAC address learning and aging
- Port based VLAN

5.2 Basic Flow

Shortly after a frame enters the MVTX2603 and is written to the Frame Data Buffer (FDB), the frame engine generates a Switch Request, which is sent to the search engine. The switch request consists of the first 64 bytes of the frame, which contain all the necessary information for the search engine to perform its task. When the search engine is done, it writes to the Switch Response Queue, and the frame engine uses the information provided in that queue for scheduling and forwarding.

In performing its task, the search engine extracts and compresses the useful information from the 64-byte switch request. Among the information extracted are the source and destination MAC addresses, the transmission and discard priorities, whether the frame is unicast or multicast. Requests are sent to the external SRAM to locate the associated entries in the external hash table.

When all the information has been collected from external SRAM, the search engine has to compare the MAC address on the current entry with the MAC address for which it is searching. If it is not a match, the process is repeated on the internal MCT Table. All MCT entries other than the first of each linked list are maintained internal to the chip. If the desired MAC address is still not found, then the result is either learning (source MAC address unknown) or flooding (destination MAC address unknown).

In addition, port based VLAN information is used to select the correct set of destination ports for the frame (for multicast), or to verify that the frame's destination port is associated with the VLAN (for unicast).

If the destination MAC address belongs to a port trunk, then the trunk number is retrieved instead of the port number. But on which port of the trunk will the frame be transmitted? This is easily computed using a hash of the source and destination MAC addresses.

When all the information is compiled, the switch response is generated, as stated earlier.

5.3 Search, Learning, and Aging

5.3.1 MAC Search

The search block performs source MAC address and destination MAC address searching. As we indicated earlier, if a match is not found, then the next entry in the linked list must be examined, and so on until a match is found or the end of the list is reached.

The port based VLAN bitmap is used to determine whether the frame should be forwarded to the outgoing port. When the egress port is not included in the ingress port VLAN bitmap, the packet is discarded.

The MAC search block is also responsible for updating the source MAC address timestamp and the VLAN port association timestamp, used for aging.

5.3.2 Learning

The learning module learns new MAC addresses and performs port change operations on the MCT database. The goal of learning is to update this database as the networking environment changes over time. Learning and port change will be performed based on memory slot availability only.

5.3.3 Aging

Aging time is controlled by register 400h and 401h.

The aging module scans and ages MCT entries based on a programmable "age out" time interval. As we indicated earlier, the search module updates the source MAC address timestamps for each frame it processes. When an entry is ready to be aged, the entry is removed from the table.

5.4 Quality of Service

Quality of Service (QoS) refers to the ability of a network to provide better service to selected network traffic over various technologies. Primary goals of QoS include dedicated bandwidth, controlled jitter and latency (required by some real-time and interactive traffic), and improved loss characteristics.

Traditional Ethernet networks have had no prioritization of traffic. Without a protocol to prioritize or differentiate traffic, a service level known as "best effort" attempts to get all the packets to their intended destinations with minimum delay; however, there are no guarantees. In a congested network or when a low-performance switch/router is overloaded, "best effort" becomes unsuitable for delay-sensitive traffic and mission-critical data transmission.

The advent of QoS for packet-based systems accommodates the integration of delay-sensitive video and multimedia traffic onto any existing Ethernet network. It also alleviates the congestion issues that have previously plagued such "best effort" networking systems. QoS provides Ethernet networks with the breakthrough technology to prioritize traffic and ensure that a certain transmission will have a guaranteed minimum amount of bandwidth.

Extensive core QoS mechanisms are built into the MVTX2603 architecture to ensure policy enforcement and buffering of the ingress port, as well as weighted fair-queue (WFQ) scheduling at the egress port.

In the MVTX2603, QoS-based policies sort traffic into a small number of classes and mark the packets accordingly. The QoS identifier provides specific treatment to traffic in different classes, so that different quality of service is provided to each class. Frame and packet scheduling and discarding policies are determined by the class to which the frames and packets belong. For example, the overall service given to frames and packets in the premium class will be better than that given to the standard class; the premium class is expected to experience lower loss rate or delay.

The MVTX2603 supports the following QoS techniques:

- In a port-based setup, any station connected to the same physical port of the switch will have the same transmit priority.
- In a tag-based setup, a 3-bit field in the VLAN tag provides the priority of the packet. This priority can be mapped to different queues in the switch to provide QoS.
- In a TOS/DS-based set up, TOS stands for “Type of Service” that may include “minimize delay,” “maximize throughput,” or “maximize reliability.” Network nodes may select routing paths or forwarding behaviours that are suitably engineered to satisfy the service request.
- In a logical port-based set up, a logical port provides the application information of the packet. Certain applications are more sensitive to delays than others; using logical ports to classify packets can help speed up delay sensitive applications, such as VoIP.

5.5 Priority Classification Rule

Figure 7 on page 21 shows the MVTX2603 priority classification rule

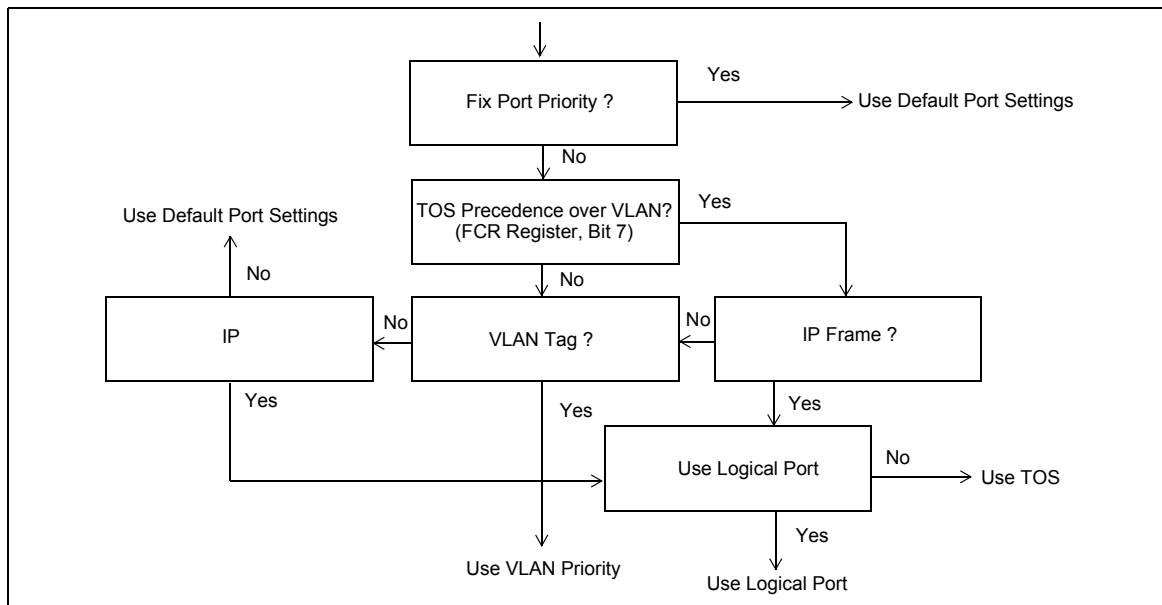


Figure 7 - Priority Classification Rule

5.6 Port Based VLAN

An administrator can use the PVMAP Registers to configure the MVTX2603 for port-based VLAN. For example, ports 1-3 might be assigned to the Marketing VLAN, ports 4-6 to the Engineering VLAN, and ports 7-9 to the Administrative VLAN. The MVTX2603 determines the VLAN membership of each packet by noting the port on which it arrives. From there, the MVTX2603 determines which outgoing port(s) is/are eligible to transmit each packet, or whether the packet should be discarded.

	Destination Port Numbers Bit Map				
Port Registers	26	...	2	1	0
Register for Port #0 PVMAP00_0[7:0] to PVMAP00_3[2:0]	0		1	1	0
Register for Port #1 PVMAP01_0[7:0] to PVMAP01_3[2:0]	0		1	0	1
Register for Port #2 PVMAP02_0[7:0] to PVMAP02_3[2:0]	0		0	0	0
...					
Register for Port #26 PVMAP26_0[7:0] to PVMAP26_3[2:0]	0		0	0	0

Table 2 - PVMAP Register

For example, in the above table, a **1** denotes that an outgoing port is eligible to receive a packet from an incoming port. A **0** (zero) denotes that an outgoing port is not eligible to receive a packet from an incoming port.

In this example

- Data packets received at port #0 are eligible to be sent to outgoing ports 1 and 2
- Data packets received at port #1 are eligible to be sent to outgoing ports 0, and 2
- Data packets received at port #2 are not eligible to be sent to ports 0 and 1

5.7 Memory Configurations

The MVTX2603 supports the following memory configurations. SBRAM modes support 1M and 2M configurations, while ZBT mode supports 4M configurations, 2M per domain (bank). For detail connection information, please reference the memory application note.

Configuration	1 M per bank (Bootstrap pin TSTOUT7 = open)	2 M per bank (Bootstrap pin TSTOUT7 = pull down)	Connections
Single Layer (Bootstrap pin TSTOUT13 = open)	Two 128K x 32 SRAM/bank or One 128 K x 64 SRAM/bank	Two 256K x 32 SRAM/bank	Connect 0E# and WE#
Double Layer (Bootstrap pin TSTOUT13 = pull down)	NA	Four 128K x 32 SRAM/bank or Two 128 K x 64 SRAM/bank	Connect 0E0# and WE0# Connect 0E1# and WE1#

Table 3 - Supported Memory Configurations (Pipeline SBRAM Mode)

Configuration	2 M per bank	Connections
Single Layer (Bootstrap pin TSTOUT13 = open)	Two 256 K x 32 ZBT SRAM/bank or One 256 K x 64 ZBT SRAM/bank	Connect ADS# to Layer 0 chipselect pin
Double Layer (Bootstrap pin TSTOUT13 = pull down)	Four 128 K x 32 ZBT SRAM/bank or Two 128 K x 64 ZBT SRAM/bank	Connect ADS# to Layer 0 chipselect pin and 0E# to Layer 1 chipselect pin

Table 4 - Supported Memory Configurations (ZBT Mode)

	Frame data Buffer					
	Only Bank A		Bank A and Bank B		Bank A and Bank B	
	1M (SRAM)	2M (SRAM)	1M/bank (SRAM)	2M/bank (SRAM)	1M/bank (ZBT SRAM)	2M/bank (ZBT SRAM)
MVTX2601	X	X				
MVTX2602	X	X				
MVTX2603			X	X		
MVTX2603 (Gigabit ports in 2giga mode)					X (125Mhz)	X (125Mhz)
MVTX2604			X	X		
MVTX2604 (Gigabit ports in 2giga mode)					X (125Mhz)	X (125Mhz)

Table 5 - Options for Memory Configuration

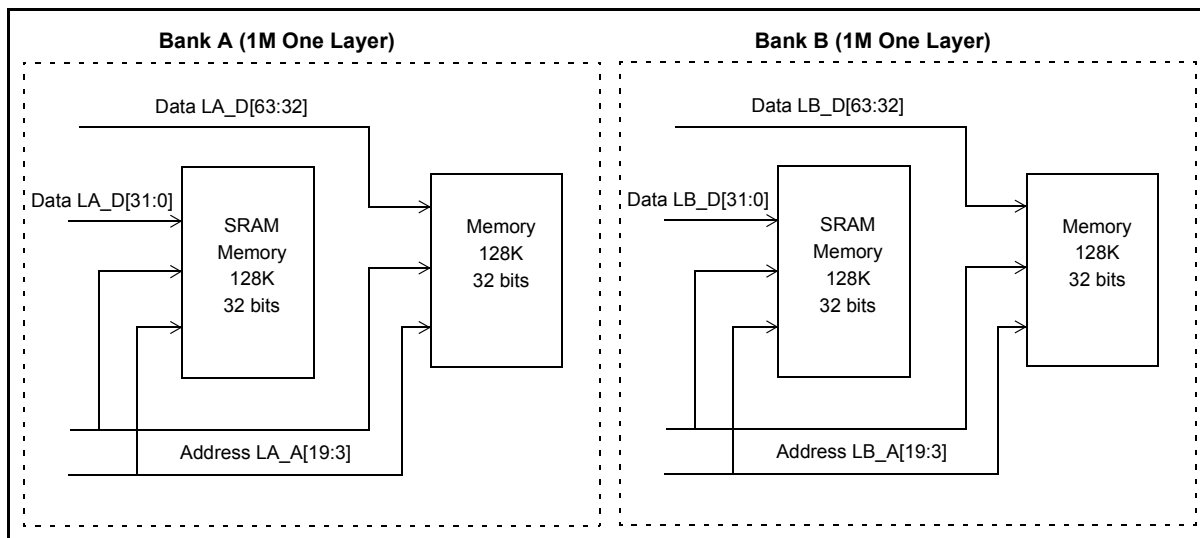


Figure 8 - Memory Configuration For: 2 banks, 1 layer, 2MB total

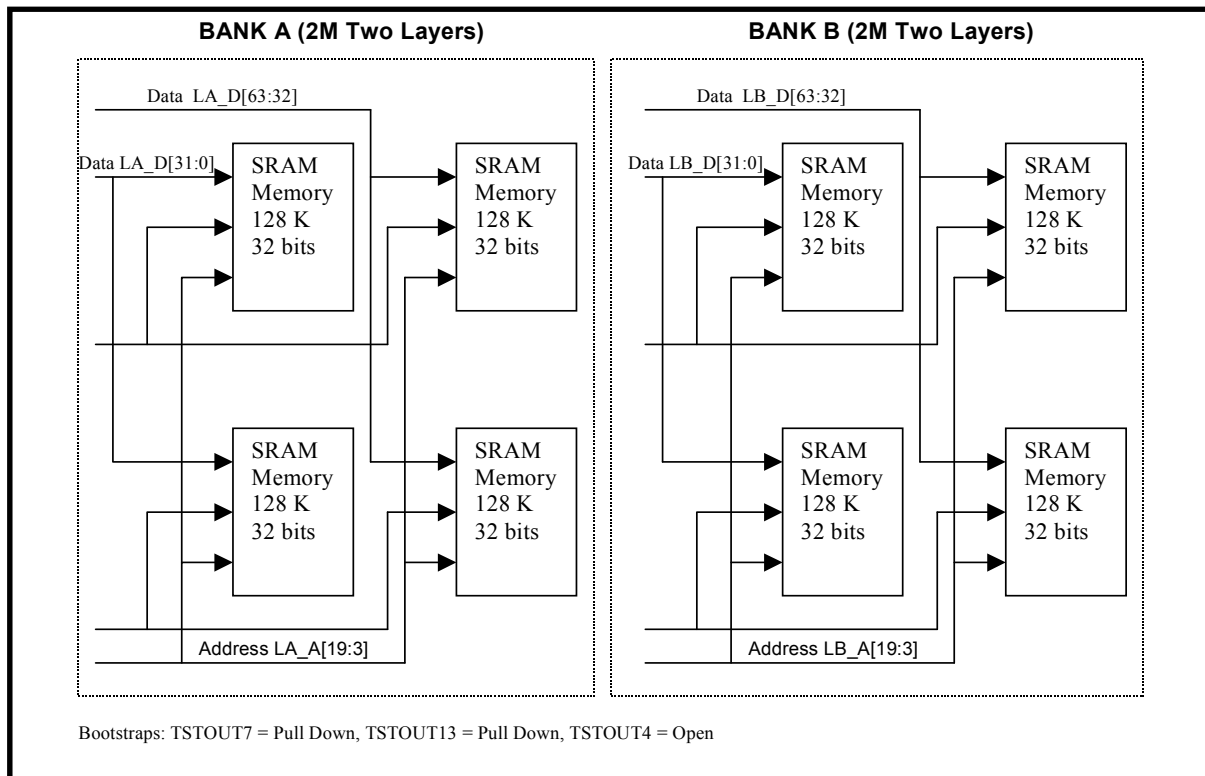


Figure 9 - Memory Configuration For: 2 banks, 2 Layer, 4MB total

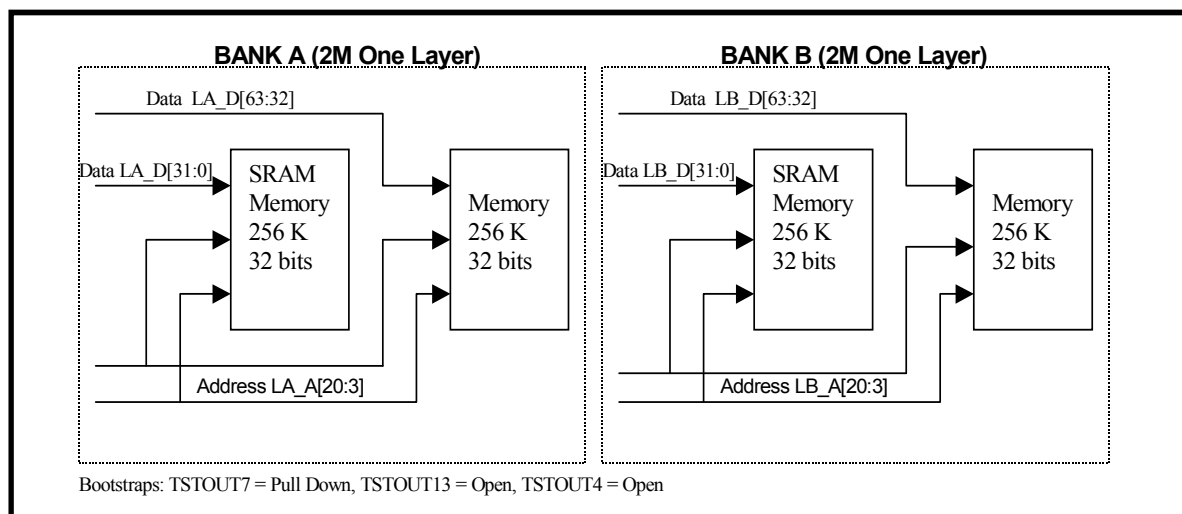


Figure 10 - Memory Configuration For: 2 banks, 1 layer, 4MB

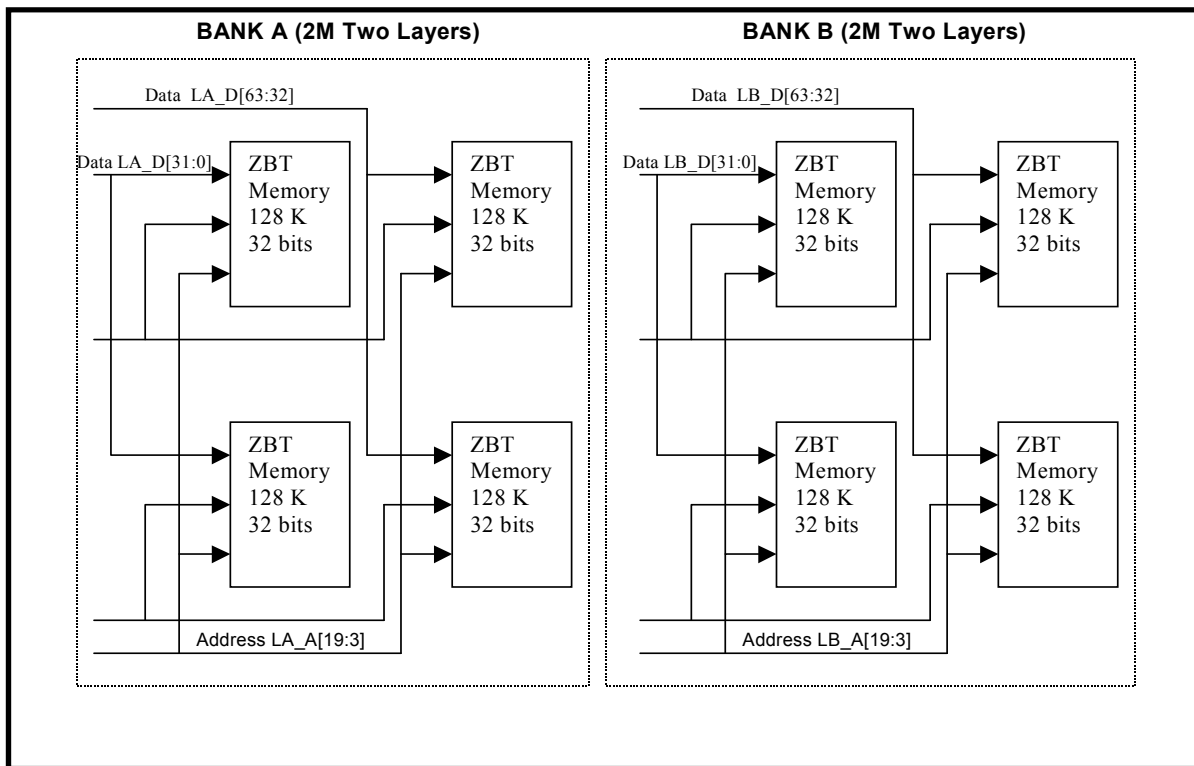


Figure 11 - Memory Configuration For: 2 banks, 2 layers, 4MB total

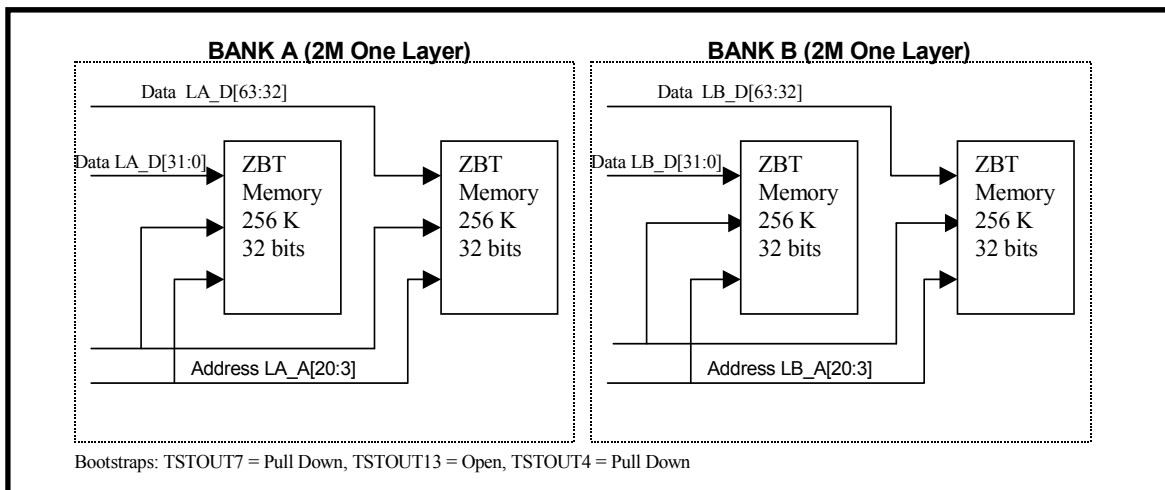


Figure 12 - Memory Configuration For: 2 banks, 1 layer, 4MB

6.0 Frame Engine

6.1 Data Forwarding Summary

- When a frame enters the device at the RxMAC, the RxDMA will move the data from the MAC RxFIFO to the FDB. Data is moved in 8-byte granules in conjunction with the scheme for the SRAM interface.
- A switch request is sent to the Search Engine. The Search Engine processes the switch request.
- A switch response is sent back to the Frame Engine and indicates whether the frame is unicast or multicast, and its destination port or ports.
- A Transmission Scheduling Request is sent in the form of a signal notifying the TxQ manager. Upon receiving a Transmission Scheduling Request, the device will format an entry in the appropriate Transmission Scheduling Queue (TxSch Q) or Queues. There are 4 TxSch Q for each 10/100 port (and 8 per Gigabit port), one for each priority. Creation of a queue entry either involves linking a new job to the appropriate linked list if unicast, or adding an entry to a physical queue if multicast.
- When the port is ready to accept the next frame, the TxQ manager will get the head-of-line (HOL) entry of one of the TxSch Qs, according to the transmission scheduling algorithm (to ensure per-class quality of service). The unicast linked list and the multicast queue for the same port-class pair are treated as one logical queue. The older HOL between the two queues goes first. For 10/100 ports multicast queue 0 is associated with unicast queue 0 and multicast queue 1 is associated with unicast queue 2. For Gigabit ports multicast queue 0 is associated with unicast queue 0, multicast queue 1 with unicast queue 2, multicast queue 2 with unicast queue 4 and multicast queue 3 with unicast queue 6.
- The TxDMA will pull frame data from the memory and forward it granule-by-granule to the MAC TxFIFO of the destination port.

6.2 Frame Engine Details

This section briefly describes the functions of each of the modules of the MVTX2603 frame engine.

6.2.1 FCB Manager

The FCB manager allocates FCB handles to incoming frames, and releases FCB handles upon frame departure. The FCB manager is also responsible for enforcing buffer reservations and limits. The default values can be determined by referring to Chapter 8. In addition, the FCB manager is responsible for buffer aging, and for linking unicast forwarding jobs to their correct TxSch Q. The buffer aging can be enabled or disabled by the bootstrap pin and the aging time is defined in register FCBAT.

6.2.2 Rx Interface

The Rx interface is mainly responsible for communicating with the RxMAC. It keeps track of the start and end of frame and frame status (good or bad). Upon receiving an end of frame that is good, the Rx interface makes a switch request.

6.2.3 RxDMA

The RxDMA arbitrates among switch requests from each Rx interface. It also buffers the first 64 bytes of each frame for use by the search engine when the switch request has been made.

6.2.4 TxQ Manager

First, the TxQ manager checks the per-class queue status and global reserved resource situation, and using this information, makes the frame dropping decision after receiving a switch response. If the decision is not to drop, the TxQ manager requests that the FCB manager link the unicast frame's FCB to the correct per-port-per-class TxQ. If multicast, the TxQ manager writes to the multicast queue for that port and class. The TxQ manager can also trigger source port flow control for the incoming frame's source if that port is flow control enabled. Second, the TxQ manager handles transmission scheduling; it schedules transmission among the queues representing different classes for a port. Once a frame has been scheduled, the TxQ manager reads the FCB information and writes to the correct port control module.

6.3 Port Control

The port control module calculates the SRAM read address for the frame currently being transmitted. It also writes start of frame information and an end of frame flag to the MAC TxFIFO. When transmission is done, the port control module requests that the buffer be released.

6.4 TxDMA

The TxDMA multiplexes data and address from port control, and arbitrates among buffer release requests from the port control modules.

7.0 Quality of Service and Flow Control

7.1 Model

Quality of service is an all-encompassing term for which different people have different interpretations. In general, the approach to quality of service described here assumes that we do not know the offered traffic pattern. We also assume that the incoming traffic is not policed or shaped. Furthermore, we assume that the network manager knows his applications, such as voice, file transfer, or web browsing, and their relative importance. The manager can then subdivide the applications into classes and set up a service contract with each. The contract may consist of bandwidth or latency assurances per class. Sometimes it may even reflect an estimate of the traffic mix offered to the switch. As an added bonus, although we do not assume anything about the arrival pattern, if the incoming traffic is policed or shaped, we may be able to provide additional assurances about our switch's performance.

Table 6 on page 27 shows examples of QoS applications with three transmission priorities, but best effort (P0) traffic may form a fourth class with no bandwidth or latency assurances. Gigabit ports actually have eight total transmission priorities.

Goals	Total Assured Bandwidth (user defined)	Low Drop Probability (low-drop)	High Drop Probability (high-drop)
Highest transmission priority, P3	50 Mbps	Apps: phone calls, circuit emulation. Latency: < 1 ms. Drop: No drop if P3 not oversubscribed.	Apps: training video. Latency: < 1 ms. Drop: No drop if P3 not oversubscribed; first P3 to drop otherwise.
Middle transmission priority, P2	37.5 Mbps	Apps: interactive apps, Web business. Latency: < 4-5 ms. Drop: No drop if P2 not oversubscribed.	Apps: non-critical interactive apps. Latency: < 4-5 ms. Drop: No drop if P2 not oversubscribed; first P2 to drop otherwise.
Low transmission priority, P1	12.5 Mbps	Apps: emails, file backups. Latency: < 16 ms desired, but not critical. Drop: No drop if P1 not oversubscribed.	Apps: casual web browsing. Latency: < 16 ms desired, but not critical. Drop: No drop if P1 not oversubscribed; first to drop otherwise.
Total	100 Mbps		

Table 6 - Two-dimensional World Traffic

A class is capable of offering traffic that exceeds the contracted bandwidth. A well-behaved class offers traffic at a rate no greater than the agreed-upon rate. By contrast, a misbehaving class offers traffic that exceeds the agreed-upon rate. A misbehaving class is formed from an aggregation of misbehaving microflows. To achieve high link utilization, a misbehaving class is allowed to use any idle bandwidth. However, such leniency must not degrade the quality of service (QoS) received by well-behaved classes.

As Table 6 illustrates, the six traffic types may each have their own distinct properties and applications. As shown, classes may receive bandwidth assurances or latency bounds. In the table, P3, the highest transmission class, requires that all frames be transmitted within 1 ms, and receives 50% of the 100 Mbps of bandwidth at that port.

Best-effort (P0) traffic forms a fourth class that only receives bandwidth when none of the other classes have any traffic to offer. It is also possible to add a fourth class that has strict priority over the other three; if this class has even one frame to transmit, then it goes first. In the MVTX2603, each 10/100 Mbps port will support four total classes, and each 1000 Mbps port will support eight classes. We will discuss the various modes of scheduling these classes in the next section.

In addition, each transmission class has two subclasses, high-drop and low-drop. Well-behaved users should rarely lose packets. But poorly behaved users – users who send frames at too high a rate – will encounter frame loss, and the first to be discarded will be high-drop. Of course, if this is insufficient to resolve the congestion, eventually some low-drop frames are dropped, and then all frames in the worst case.

Table 6 shows that different types of applications may be placed in different boxes in the traffic table. For example, casual web browsing fits into the category of high-loss, high-latency-tolerant traffic, whereas VoIP fits into the category of low-loss, low-latency traffic.

7.2 Four QoS Configurations

There are four basic pieces to QoS scheduling in the MVTX2603: strict priority (SP), delay bound, weighted fair queuing (WFQ), and best effort (BE). Using these four pieces, there are four different modes of operation, as shown in Table 4, “Supported Memory Configurations (ZBT Mode),” and Table 6, “Two-dimensional World Traffic,”. For 10/100 Mbps ports, these modes are selected by the following registers:

QOSC24 [7:6] CREDIT_C00
 QOSC28 [7:6] CREDIT_C10
 QOSC32 [7:6] CREDIT_C20
 QOSC36 [7:6] CREDIT_C30

	P3	P2	P1	P0
Op1 (default)	Delay Bound			BE
Op2	SP	Delay Bound		BE
Op3	SP	WFQ		
Op4	WFQ			

Table 7 - Four QoS Configurations for a 10/100 Mbps Port

These modes are selected by QOSC40 [7:6] and QOSC48 [7:6] for the first and second gigabit ports, respectively.

	P7	P6	P5	P4	P3	P2	P1	P0
Op1 (default)	Delay Bound						BE	
Op2	SP		Delay Bound				BE	
Op3	SP		WFQ					
Op4	WFQ							

Table 8 - Four QoS Configurations for a Gigabit Port

The default configuration for a 10/100 Mbps port is three delay-bounded queues and one best-effort queue. The delay bounds per class are 0.8 ms for P3, 2 ms for P2, and 12.8 ms for P1. For a 1 Gbps port, we have a default of six delay-bounded queues and two best-effort queues. The delay bounds for a 1 Gbps port are 0.16 ms for P7 and P6, 0.32 ms for P5, 0.64 ms for P4, 1.28 ms for P3, and 2.56 ms for P2. Best effort traffic is only served when there is no delay-bounded traffic to be served. For a 1 Gbps port, where there are two best-effort queues, P1 has strict priority over P0.

We have a second configuration for a 10/100 Mbps port in which there is one strict priority queue, two delay bounded queues, and one best effort queue. The delay bounds per class are 3.2 ms for P2 and 12.8 ms for P1. If the user is to choose this configuration, it is important that P3 (SP) traffic be either policed or implicitly bounded (e.g. if the incoming P3 traffic is very light and predictably patterned). Strict priority traffic, if not admission-controlled at a prior stage to the MVTX2603, can have an adverse effect on all other classes' performance. For a 1 Gbps port, P7 and P6 are both SP classes, and P7 has strict priority over P6. In this case, the delay bounds per class are 0.32 ms for P5, 0.64 ms for P4, 1.28 ms for P3, and 2.56 ms for P2.

The third configuration for a 10/100 Mbps port contains one strict priority queue and three queues receiving a bandwidth partition via WFQ. As in the second configuration, strict priority traffic needs to be carefully controlled. In the fourth configuration, all queues are served using a WFQ service discipline.

7.3 Delay Bound

In the absence of a sophisticated QoS server and signaling protocol, the MVTX2603 may not know the mix of incoming traffic ahead of time. To cope with this uncertainty, our delay assurance algorithm dynamically adjusts its scheduling and dropping criteria, guided by the queue occupancies and the due dates of their head-of-line (HOL) frames. As a result, we assure latency bounds for all admitted frames with high confidence, even in the presence of system-wide congestion. Our algorithm identifies misbehaving classes and intelligently discards frames at no detriment to well-behaved classes. Our algorithm also differentiates between high-drop and low-drop traffic with a weighted random early drop (WRED) approach. Random early dropping prevents congestion by randomly dropping a percentage of high-drop frames even before the chip's buffers are completely full, while still largely sparing low-drop frames. This allows high-drop frames to be discarded early, as a sacrifice for future low-drop frames. Finally, the delay bound algorithm also achieves bandwidth partitioning among classes.

7.4 Strict Priority and Best Effort

When strict priority is part of the scheduling algorithm, if a queue has even one frame to transmit, it goes first. Two of our four QoS configurations include strict priority queues. The goal is for strict priority classes to be used for IETF expedited forwarding (EF), where performance guarantees are required. As we have indicated, it is important that strict priority traffic be either policed or implicitly bounded, so as to keep from harming other traffic classes.

When best effort is part of the scheduling algorithm, a queue only receives bandwidth when none of the other classes have any traffic to offer. Two of our four QoS configurations include best effort queues. The goal is for best effort classes to be used for non-essential traffic, because we provide no assurances about best effort performance. However, in a typical network setting, much best effort traffic will indeed be transmitted, and with an adequate degree of expediency.

Because we do not provide any delay assurances for best effort traffic, we do not enforce latency by dropping best effort traffic. Furthermore, because we assume that strict priority traffic is carefully controlled before entering the MVTX2603, we do not enforce a fair bandwidth partition by dropping strict priority traffic. To summarize, dropping to enforce bandwidth or delay does not apply to strict priority or best effort queues. We only drop frames from best effort and strict priority queues when global buffer resources become scarce.

7.5 Weighted Fair Queuing

In some environments – for example, in an environment in which delay assurances are not required, but precise bandwidth partitioning on small time scales is essential, WFQ may be preferable to a delay-bounded scheduling discipline. The MVTX2603 provides the user with a WFQ option with the understanding that delay assurances can not be provided if the incoming traffic pattern is uncontrolled. The user sets four WFQ “weights” (eight for Gigabit ports) such that all weights are whole numbers and sum to 64. This provides per-class bandwidth partitioning with error within 2%.

In WFQ mode, though we do not assure frame latency, the MVTX2603 still retains a set of dropping rules that helps to prevent congestion and trigger higher level protocol end-to-end flow control.

As before, when strict priority is combined with WFQ, we do not have special dropping rules for the strict priority queues, because the input traffic pattern is assumed to be carefully controlled at a prior stage. However, we do indeed drop frames from SP queues for global buffer management purposes. In addition, queue P0 for a 10/100 port (and queues P0 and P1 for a Gigabit port) are treated as best effort from a dropping perspective, though they still are assured a percentage of bandwidth from a WFQ scheduling perspective. What this means is that these particular queues are only affected by dropping when the global buffer count becomes low.

7.6 Shaper

Although traffic shaping is not a primary function of the MVTX2603, the chip does implement a shaper for expedited forwarding (EF). Our goal in shaping is to control the peak and average rate of traffic exiting the MVTX2603. Shaping is limited to the two Gigabit ports only, and only to class P6 (the second highest priority). This means that class P6 will be the class used for EF traffic. If shaping is enabled for P6, then P6 traffic must be scheduled using strict priority. With reference to Table 8 only the middle two QoS configurations may be used.

Peak rate is set using a programmable whole number, no greater than 64. For example, if the setting is 32, then the peak rate for shaped traffic is $32/64 * 1000 \text{ Mbps} = 500 \text{ Mbps}$. Average rate is also a programmable whole number, no greater than 64, and no greater than the peak rate. For example, if the setting is 16, then the average rate for shaped traffic is $16/64 * 1000 \text{ Mbps} = 250 \text{ Mbps}$. As a consequence of the above settings in our example, shaped traffic will exit the MVTX2603 at a rate always less than 500 Mbps, and averaging no greater than 250 Mbps. See Programming QoS Registers application note for more information.

Also, when shaping is enabled, it is possible for a P6 queue to explode in length if fed by a greedy source. The reason is that a shaper is by definition not work-conserving; that is, it may hold back from sending a packet even if the line is idle. Though we do have global resource management, we do nothing to prevent this situation locally. We assume SP traffic is policed at a prior stage to the MVTX2603.

7.7 WRED Drop Threshold Management Support

To avoid congestion, the Weighted Random Early Detection (WRED) logic drops packets according to specified parameters. The following table summarizes the behavior of the WRED logic.

In KB (kilobytes)	P3	P2	P1	High Drop	Low Drop
Level 1 $N \geq 120$	$P3 \geq A \text{ KB}$	$P2 \geq B \text{ KB}$	$P1 \geq C \text{ KB}$	X%	0%
Level 2 $N \geq 140$				Y%	Z%
Level 3 $N \geq 160$				100%	100%

Table 9 - WRED Drop Thresholds

P_x is the total byte count, in the priority queue x . The WRED logic has three drop levels, depending on the value of N , which is based on the number of bytes in the priority queues. If delay bound scheduling is used, N equals $P3*16+P2*4+P1$. If using WFQ scheduling, N equals $P3+P2+P1$. Each drop level from one to three has defined high-drop and low-drop percentages, which indicate the minimum and maximum percentages of the data that can be discarded. The X, Y Z percent can be programmed by the register RDRC0, RDRC1. In Level 3, all packets are dropped if the bytes in each priority queue exceed the threshold. Parameters A, B, C are the byte count thresholds for each priority queue. They can be programmed by the QOS control register (refer to the register group 5.)

7.8 Buffer Management

Because the number of FDB slots is a scarce resource, and because we want to ensure that one misbehaving source port or class cannot harm the performance of a well-behaved source port or class, we introduce the concept of buffer management into the MVTX2603. Our buffer management scheme is designed to divide the total buffer space into numerous reserved regions and one shared pool, as shown in Figure 13 on page 32.

As shown in the figure, the FDB pool is divided into several parts. A reserved region for temporary frames stores frames prior to receiving a switch response. Such a temporary region is necessary, because when the frame first enters the MVTX2603, its destination port and class are as yet unknown, and so the decision to drop or not needs to be temporarily postponed. This ensures that every frame can be received first before subjecting them to the frame drop discipline after classifying.

Six reserved sections, one for each of the first six priority classes, ensure a programmable number of FDB slots per class. The lowest two classes do not receive any buffer reservation. Furthermore, even for 10/100 Mbps ports, a frame is stored in the region of the FDB corresponding to its class. As we have indicated, the eight classes use only four transmission scheduling queues for 10/100 Mbps ports, but as far as buffer usage is concerned, there are still eight distinguishable classes.

Another segment of the FDB reserves space for each of the 26 ports ethernet port. Two parameters can be set, one for the source port reservation for 10/100 Mbps ports, and one for the source port reservation for 1 Gbps ports. These 26 reserved regions make sure that no well-behaved source port can be blocked by another misbehaving source port.

In addition, there is a shared pool, which can store any type of frame. The frame engine allocates the frames first in the six priority sections. When the priority section is full or the packet has priority 1 or 0, the frame is allocated in the shared pool. Once the shared pool is full the frames are allocated in the section reserved for the source port.

The following registers define the size of each section of the frame data buffer:

PR100- Port Reservation for 10/100 Ports

PRG- Port Reservation for Giga Ports

SFCB- Share FCB Size

C2RS- Class 2 Reserve Size

C3RS- Class 3 Reserve Size

C4RS- Class 4 Reserve Size

C5RS- Class 5 Reserve Size

C6RS- Class 6 Reserve Size

C7RS- Class 7 Reserve Size

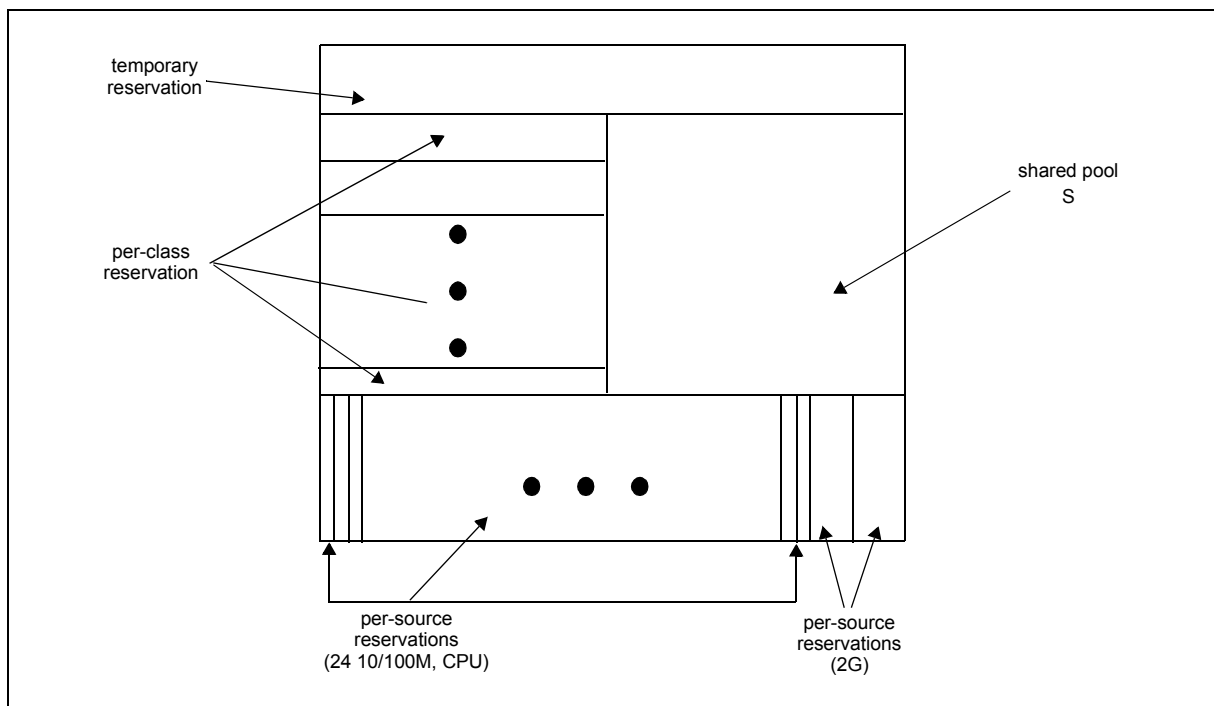


Figure 13 - Buffer Partition Scheme Used to Implement MVTX2603 Buffer Management

7.8.1 Dropping When Buffers Are Scarce

Summarizing the two examples of local dropping discussed earlier in this chapter:

- If a queue is a delay-bounded queue, we have a multi-level WRED drop scheme, designed to control delay and partition bandwidth in case of congestion.
- If a queue is a WFQ-scheduled queue, we have a multi-level WRED drop scheme, designed to prevent congestion.

In addition to these reasons for dropping, we also drop frames when global buffer space becomes scarce. The function of buffer management is to make sure that such dropping causes as little blocking as possible.

7.9 MVTX2603 Flow Control Basics

Because frame loss is unacceptable for some applications, the MVTX2603 provides a flow control option. When flow control is enabled, scarcity of buffer space in the switch may trigger a flow control signal; this signal tells a source port that is sending a packet to this switch, to temporarily hold off.

While flow control offers the clear benefit of no packet loss, it also introduces a problem for quality of service. When a source port receives an Ethernet flow control signal, all microflows originating at that port, well-behaved or not, are halted. A single packet destined for a congested output can block other packets destined for uncongested outputs. The resulting head-of-line blocking phenomenon means that quality of service cannot be assured with high confidence when flow control is enabled.

In the MVTX2603, each source port can independently have flow control enabled or disabled. For flow control enabled ports, by default all frames are treated as lowest priority during transmission scheduling. This is done so that those frames are not exposed to the WRED Dropping scheme. Frames from flow control enabled ports feed to only one queue at the destination, the queue of lowest priority. What this means is that if flow control is enabled for a given source port, then we can guarantee that no packets originating from that port will be lost, but at the possible expense of minimum bandwidth or maximum delay assurances. In addition, these “downgraded” frames may only use the shared pool or the per-source reserved pool in the FDB; frames from flow control enabled sources may not use reserved FDB slots for the highest six classes (P2-P7).

The MVTX2603 does provide a system-wide option of permitting normal QoS scheduling (and buffer use) for frames originating from flow control enabled ports. When this programmable option is active, it is possible that some packets may be dropped, even though flow control is on. The reason is that intelligent packet dropping is a major component of the MVTX2603’s approach to ensuring bounded delay and minimum bandwidth for high priority flows.

7.9.1 Unicast Flow Control

For unicast frames, flow control is triggered by source port resource availability. Recall that the MVTX2603’s buffer management scheme allocates a reserved number of FDB slots for each source port. If a programmed number of a source port’s reserved FDB slots have been used, then flow control Xoff is triggered.

Xon is triggered when a port is currently being flow controlled, and all of that port’s reserved FDB slots have been released.

Note that the MVTX2603’s per-source-port FDB reservations assure that a source port that sends a single frame to a congested destination will not be flow controlled.

7.9.2 Multicast Flow Control

In unmanaged mode, flow control for multicast frames is triggered by a global buffer counter. When the system exceeds a programmable threshold of multicast packets, Xoff is triggered. Xon is triggered when the system returns below this threshold.

In managed mode, per-VLAN flow control is used for multicast frames. In this case, flow control is triggered by congestion at the destination. How so? The MVTX2603 checks each destination to which a multicast packet is headed. For each destination port, the occupancy of the lowest-priority transmission multicast queue (measured in number of frames) is compared against a programmable congestion threshold. If congestion is detected at even one of the packet’s destinations, then Xoff is triggered.

In addition, each source port has a 26-bit port map recording which port or ports of the multicast frame’s fanout were congested at the time Xoff was triggered. All ports are continuously monitored for congestion, and a port is identified as uncongested when its queue occupancy falls below a fixed threshold. When all those ports that were originally marked as congested in the port map have become uncongested, then Xon is triggered, and the 26-bit vector is reset to zero.

The MVTX2603 also provides the option of disabling VLAN multicast flow control.

Note: If per-Port flow control is on, QoS performance will be affected. To determine the most efficient way to program, please refer to the QoS Application Note.

7.10 Mapping to IETF Diffserv Classes

The mapping between priority classes discussed in this chapter and elsewhere is shown below.

VTX	P7	P6	P5	P4	P3	P2	P1	P0
IETF	NM	EF	AF0	AF1	AF2	AF3	BE0	BE1

Table 10 - Mapping between MVTX2603 and IETF Diffserv Classes for Gigabit Ports

As the table illustrates, P7 is used solely for network management (NM) frames. P6 is used for expedited forwarding service (EF). Classes P2 through P5 correspond to an assured forwarding (AF) group of size 4. Finally, P0 and P1 are two best effort (BE) classes.

For 10/100 Mbps ports, the classes of Table 12 are merged in pairs—one class corresponding to NM+EF, two AF classes, and a single BE class.

VTX	P3	P2	P1	P0
IETF	NM+EF	AF0	AF1	BE0

Table 11 - Mapping between MVTX2603 and IETF Diffserv Classes for 10/100 Ports

Features of the MVTX2603 that correspond to the requirements of their associated IETF classes are summarized in the table below.

Network management (NM) and Expedited forwarding (EF)	<ul style="list-style-type: none"> Global buffer reservation for NM and EF Shaper for EF traffic on 1 Gbps ports Option of strict priority scheduling No dropping if admission controlled
Assured forwarding (AF)	<ul style="list-style-type: none"> Four AF classes for 1 Gbps ports Programmable bandwidth partition, with option of WFQ service Option of delay-bounded service keeps delay under fixed levels even if not admission-controlled Random early discard, with programmable levels Global buffer reservation for each AF class
Best effort (BE)	<ul style="list-style-type: none"> Two BE classes for 1 Gbps ports Service only when other queues are idle means that QoS not adversely affected Random early discard, with programmable levels Traffic from flow control enabled ports automatically classified as BE

Table 12 - MVTX2603 Features Enabling IETF Diffserv Standards

8.0 Port Trunking

8.1 Features and Restrictions

A port group (i.e. trunk) can include up to 4 physical ports, but all of the ports in a group must be in the same MVTX2603.

The two Gigabit ports may also be trunked together. There are three trunk groups total, including the option to trunk Gigabit ports.

Load distribution among the ports in a trunk for unicast is performed using hashing based on source MAC address and destination MAC address. Three other options include source MAC address only, destination MAC address only, and source port (in bidirectional ring mode only). Load distribution for multicast is performed similarly.

If a VLAN includes any of the ports in a trunk group, all the ports in that trunk group should be in the same VLAN member map.

The MVTX2603 also provides a safe fail-over mode for port trunking automatically. If one of the ports in the trunking group goes down, the MVTX2603 will automatically redistribute the traffic over to the remaining ports in the trunk.

8.2 Unicast Packet Forwarding

The search engine finds the destination MCT entry, and if the status field says that the destination port found belongs to a trunk, then the group number is retrieved instead of the port number. In addition, if the source address belongs to a trunk, then the source port's trunk membership register is checked.

A hash key, based on some combination of the source and destination MAC addresses for the current packet, selects the appropriate forwarding port.

8.3 Multicast Packet Forwarding

For multicast packet forwarding, the device must determine the proper set of ports from which to transmit the packet based on the VLAN index and hash key.

Two functions are required in order to distribute multicast packets to the appropriate destination ports in a port trunking environment.

Determining one forwarding port per group. For multicast packets, all but one port per group, the forwarding port, must be excluded. Preventing the multicast packet from looping back to the source trunk.

The search engine needs to prevent a multicast packet from sending to a port that is in the same trunk group with the source port. This is because, when we select the primary forwarding port for each group, we do not take the source port into account. To prevent this, we simply apply one additional filter, so as to block that forwarding port for this multicast packet.

8.4 Trunking

3 trunk groups are supported. Groups 0 and 1 can trunk up to 4 10/100 ports. Group 2 can trunk 2 Gigabit ports. The supported combinations are shown in the following table.

Group 0	Port 0	Port 1	Port 2	Port 3
	X	X		
	X	X	X	
	X	X	X	X

Select via trunk0_mode register

Group 1	Port 4	Port 5	Port 6	Port 7
	X	X		
	X	X	X	X

Select via trunk1_mode register

Group 2	Port 25(Giga 0)	Port 26 (Giga 1)
	X	X

The trunks are individually enabled/disabled by controlling pin trunk 0,1,2.

9.0 Port Mirroring

9.1 Port Mirroring Features

The received or transmitted data of any 10/100 port in the MVTX2603 chip can be “mirrored” to any other port. We support two such mirrored source-destination pairs. A mirror port cannot also serve as a data port. Please refer to the Port Mirroring Application note for further details.

9.2 Setting Registers for Port Mirroring

- MIRROR1_SRC: Sets the source port for the first port mirroring pair. Bits [4:0] select the source port to be mirrored. An illegal port number is used to disable mirroring (which is the default setting). Bit [5] is used to select between ingress (Rx) or egress (Tx) data.
- MIRROR1_DEST: Sets the destination port for the first port mirroring pair. Bits [4:0] select the destination port to be mirrored. The default is port 23.
- MIRROR2_SRC: Sets the source port for the second port mirroring pair. Bits [4:0] select the source port to be mirrored. An illegal port number is used to disable mirroring (which is the default setting). Bit [5] is used to select between ingress (Rx) or egress (Tx) data.
- MIRROR2_DEST: Sets the destination port for the second port mirroring pair. Bits [4:0] select the destination port to be mirrored. The default is port 0.

10.0 TBI Interface

The TBI interface can be used for 1000Mbps fiber operation. In this mode, the MVTX2603 is connected to the Serdes as shown in Figure 14. There are two TBI interfaces in the MVTX2603 devices. To enable the TBI function, the corresponding TXEN and TXER pins need to be boot strapped. See Ball – Signal Description for details.

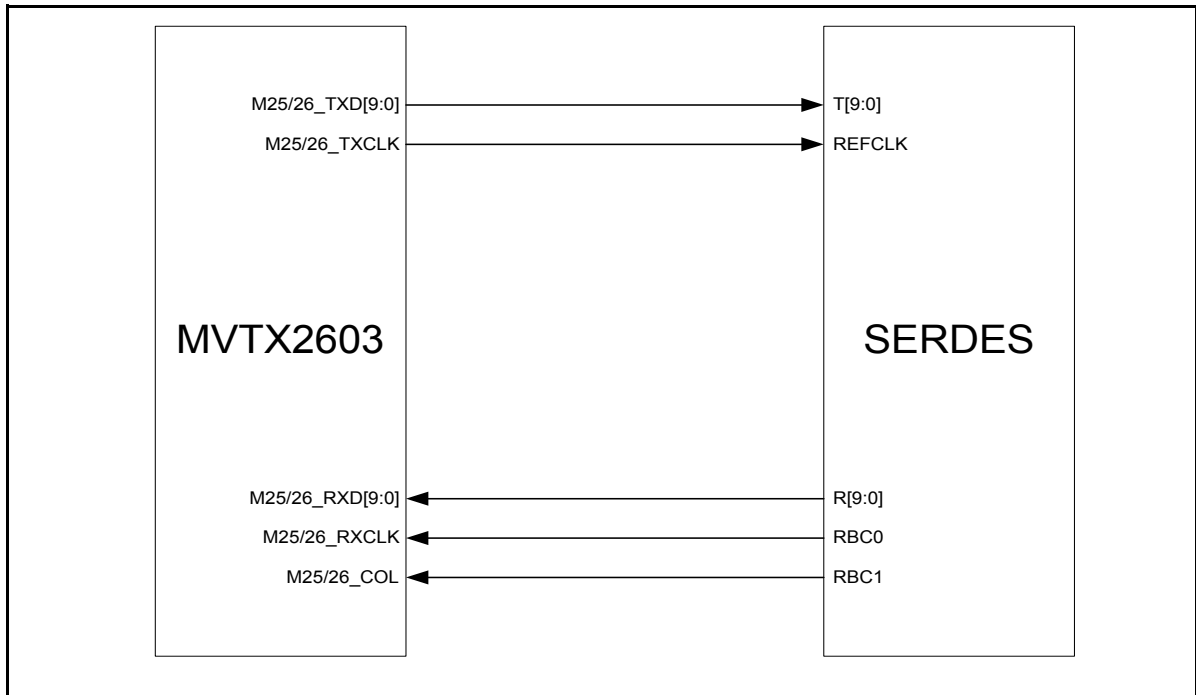


Figure 14 - TBI Connection

11.0 GPSI (7WS) Interface

11.1 11.1GPSI Connection

The 10/100 RMII ethernet port can function in GPSI (7WS) mode when the corresponding TXEN pin is strapped low with a 1K pull down resistor. In this mode, the TXD[0], TXD[1], RXD[0] and RXD[1] serve as TX data, TX clock, RX data and RX clock respectively. The link status and collision from the PHY are multiplexed and shifted into the switch device through external glue logic. The duplex of the port can be controlled by programming the ECR register.

The GPSI interface can be operated in port based VLAN mode only

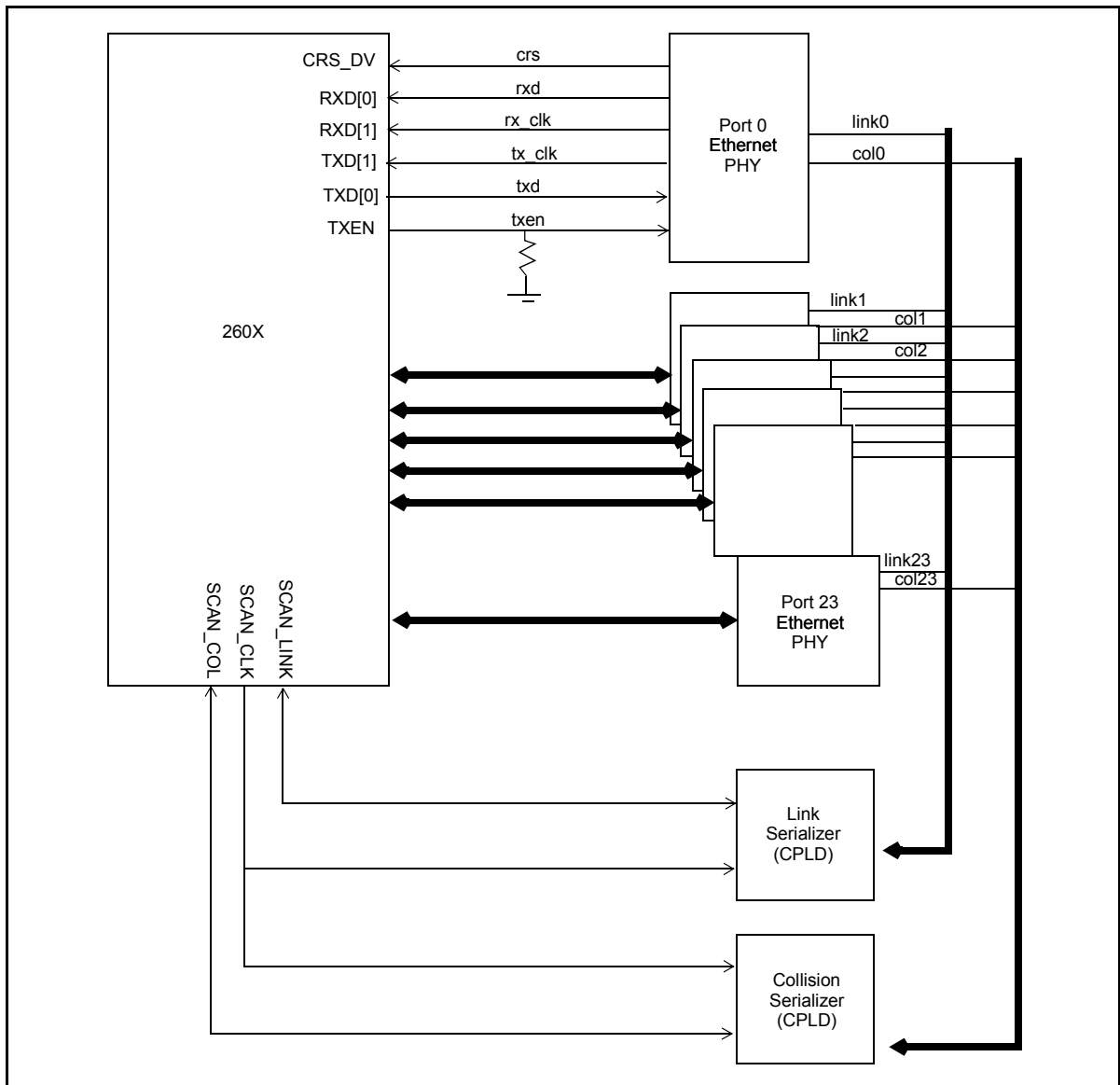


Figure 15 - GPSI (7WS) mode connection diagram

11.2 SCAN LINK and SCAN COL interface

An external CPLD logic is required to take the link signals and collision signals from the GPSI PHYs and shift them into the switch device. The switch device will drive out a signature to indicate the start of the sequence. After that, the CPLD should shift in the link and collision status of the PHYs as shown in the figure. The extra link status indicates the polarity of the link signal. One indicates the polarity of the link signal is active high.

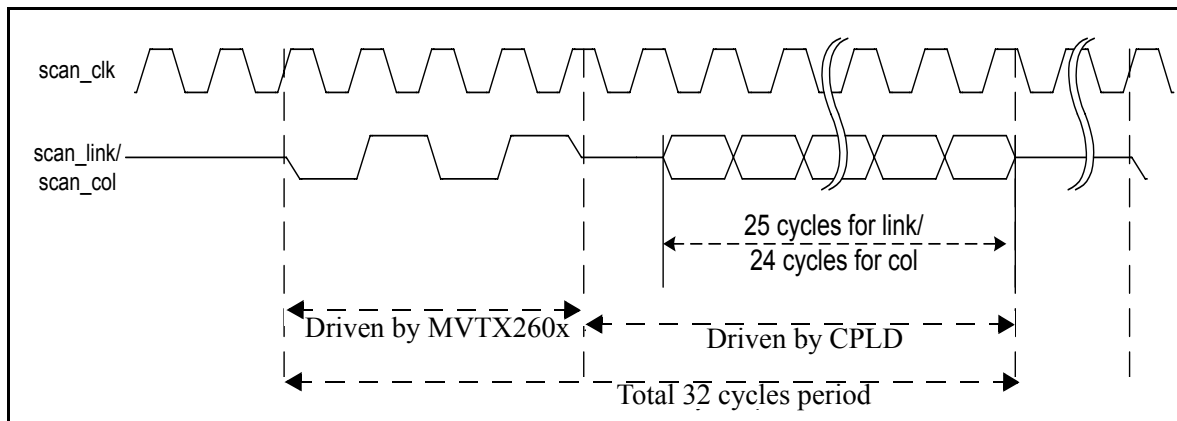


Figure 16 - SCAN LINK and SCAN COLLISION status diagram

12.0 LED Interface

12.1 LED Interface Introduction

A serial output channel provides port status information from the MVTX2603 chips. It requires three additional pins:

- LED_CLK at 12.5 MHz
- LED_SYN a sync pulse that defines the boundary between status frames
- LED_DATA a continuous serial stream of data for all status LEDs that repeats once every frame time

A non-serial interface is also allowed, but in this case, only the Gigabit ports will have status LEDs.

A low cost external device (44 pin PAL) is used to decode the serial data and to drive an LED array for display. This device can be customized for different needs.

12.2 Port Status

In the MVTX2603, each port has 8 status indicators, each represented by a single bit. The 8 LED status indicators are

- Bit 0: Flow control
- Bit 1: Transmit data
- Bit 2: Receive data
- Bit 3: Activity (where activity includes either transmission or reception of data)
- Bit 4: Link up
- Bit 5: Speed (1= 100 Mb/s; 0= 10 Mb/s)
- Bit 6: Full-duplex
- Bit 7: Collision

Eight clocks are required to cycle through the eight status bits for each port.

When the LED_SYN pulse is asserted, the LED interface will present 256 LED clock cycles with the clock cycles providing information for the following ports.

Port 0 (10/100): cycles #0 to cycle #7

Port 1 (10/100): cycles#8 to cycle #15

Port 2 (10/100): cycle #16 to cycle #23

...

Port 22 (10/100): cycle #176 to cycle #183

Port 23 (10/100): cycle #184 to cycle #191

Port 24 (Gigabit 0): cycle #192 to cycle #199

Port 25 (Gigabit 1): cycle #200 to cycle #207

Byte 26 (additional status): cycle #208 to cycle #215

Byte 27 (additional status): cycle #216 to cycle #223

Cycles #224 to 256 present data with a value of zero.

The first two bits of byte 26 provides the speed information for the Gigabit ports while the remainder of byte 26 and byte 27 provides bit status

- 26[0]: G0 port (1= port 24 is operating at Gigabit speed; 0= speed is either 10 or 100 Mb/s depending on speed bit of Port 24)
- 26[1]: G1 port (1= port 25 is operating at Gigabit speed; 0= speed is either 10 or 100 Mb/s depending on speed bit of Port 25)
- 26[2]: initialization done
- 26[3]: initialization start
- 26[4]: checksum ok
- 26[5]: link_init_complete
- 26[6]: bist_fail
- 26[7]: ram_error
- 27[0]: bist_in_process
- 27[1]: bist_done

12.3 LED Interface Timing Diagram

The signal from the MVTX2603 to the LED decoder is shown in Figure 17.

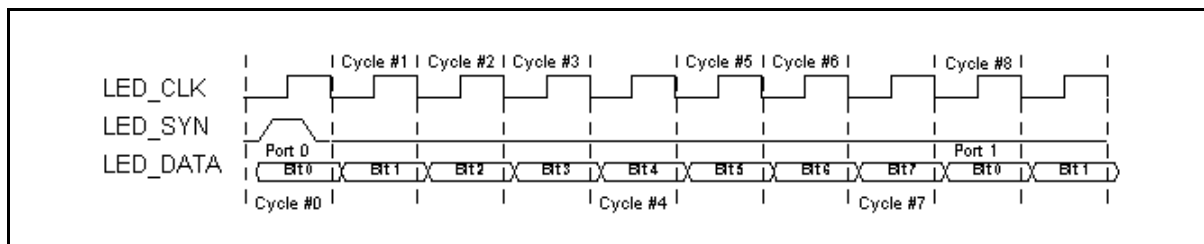


Figure 17 - Timing Diagram of LED Interface

13.0 Register Definition

13.1 MVTX2603 Register Description

Register	Description	CPU Addr (Hex)	R/W	I ² C Addr (Hex)	Default	Notes
0. ETHERNET Port Control Registers Substitute [N] with Port number (0..17h, 19h, 1Ah)						
ECR1P"N"	Port Control Register 1 for Port N	0000 + 2 x N	R/W	000-018	020	
ECR2P"N"	Port Control Register 2 for Port N	001 + 2 x N	R/W	01B-033	000	
1. VLAN Control Registers Substitute [N] with Port number (0..17h, 19h, 1Ah)						
AVTCL	VLAN Type Code Register Low	100	R/W	036	000	
AVTCH	VLAN Type Code Register High	101	R/W	037	081	
PVMAP"N"_0	Port "N" Configuration Register 0	102 + 4N	R/W	038-052	0FF	
PVMAP"N"_1	Port "N" Configuration Register 1	103 + 4N	R/W	053-06D	0FF	
PVMAP"N"_2	Port "N" Configuration Register 2	104 + 4N	R/W	06E-088	0FF	
PVMAP"N"_3	Port "N" Configuration Register 3	105 + 4N	R/W	089-0A3	007	
PVMODE	VLAN Operating Mode	170	R/W	0A4	000	
2. TRUNK Control Registers						
TRUNK0_MODE	Trunk Group 0 Mode	203	R/W	0A5	003	
TRUNK1_MODE	Trunk Group 1 Mode	20B	R/W	0A6	003	
TRUNK2_MODE	Trunk Group 2 Mode	210	R/W	NA	003	
TX_AGE	Transmission Queue Aging Time	325	R/W	0A7	008	
3. Search Engine Configurations						
AGETIME_LOW	MAC Address Aging Time Low	400	R/W	0A8	2M:05C/ 4M:02E	
AGETIME_HIGH	MAC Address Aging Time High	401	R/W	0A9	000	
SE_OPMODE	Search Engine Operating Mode	403	R/W	NA	000	
4. Buffer Control and QOS Control						
FCBAT	FCB Aging Timer	500	R/W	0AA	0FF	
QOSC	QOS Control	501	R/W	0AB	000	
FCR	Flooding Control Register	502	R/W	0AC	008	
AVPML	VLAN Priority Map Low	503	R/W	0AD	000	
AVPMM	VLAN Priority Map Middle	504	R/W	0AE	000	
AVPMH	VLAN Priority Map High	505	R/W	0AF	000	
TOSPML	TOS Priority Map Low	506	R/W	0B0	000	
TOSPMM	TOS Priority Map Middle	507	R/W	0B1	000	

Register	Description	CPU Addr (Hex)	R/W	I ² C Addr (Hex)	Default	Notes
TOSPMH	TOS Priority Map High	508	R/W	0B2	000	
AVDM	VLAN Discard Map	509	R/W	0B3	000	
TOSDML	TOS Discard Map	50A	R/W	0B4	000	
BMRC	Broadcast/Multicast Rate Control	50B	R/W	0B5	000	
UCC	Unicast Congestion Control	50C	R/W	0B6	2M:008/ 4M:010	
MCC	Multicast Congestion Control	50D	R/W	0B7	050	
PR100	Port Reservation for 10/100 Ports	50E	R/W	0B8	2M:024/ 4M:036	
SFCB	Share FCB Size	510	R/W	0BA	2M:014/ 4M:064	
C2RS	Class 2 Reserve Size	511	R/W	0BB	000	
C3RS	Class 3 Reserve Size	512	R/W	0BC	000	
C4RS	Class 4 Reserve Size	513	R/W	0BD	000	
C5RS	Class 5 Reserve Size	514	R/W	0BE	000	
C6RS	Class 6 Reserve Size	515	R/W	0BF	000	
C7RS	Class 7 Reserve Size	516	R/W	0C0	000	
QOSC"N"	QOS Control (N=0-59)	517-512	R/W	0C1-0D2	000	
RDRC0	WRED Drop Rate Control 0	553	R/W	0FB	08F	
RDRC1	WRED Drop Rate Control 1	554	R/W	0FC	088	
USER_PORT"N"_LOW	User Define Logical Port "N" Low (N=0-7)	580 + 2N	R/W	0D6-0DD	000	
USER_PORT"N"_HIGH	User Define Logical Port "N" High	581 + 2N	R/W	0DE-0E5	000	
USER_PORT1:0_PRIORITY	User Define Logic Port 1 and 0 Priority	590	R/W	0E6	000	
USER_PORT3:2_PRIORITY	User Define Logic Port 3 and 2 Priority	591	R/W	0E7	000	
USER_PORT5:4_PRIORITY	User Define Logic Port 5 and 4 Priority	592	R/W	0E8	000	
USER_PORT7:6_PRIORITY	User Define Logic Port 7 and 6 Priority	593	R/W	0E9	000	
USER_PORT_ENABLE	User Define Logic Port Enable	594	R/W	0EA	000	
WLPP10	Well known Logic Port Priority for 1 and 0	595	R/W	0EB	000	
WLPP32	Well known Logic Port Priority for 3 and 2	596	R/W	0EC	000	

Register	Description	CPU Addr (Hex)	R/W	I ² C Addr (Hex)	Default	Notes
WLPP54	Well known Logic Port Priority for 5 and 4	597	R/W	0ED	000	
WLPP76	Well-known Logic Port Priority for 7 & 6	598	R/W	0EE	000	
WLPE	Well known Logic Port Enable	599	R/W	0EF	000	
RLOWL	User Define Range Low Bit7:0	59A	R/W	0F4	000	
RLOWH	User Define Range Low Bit 15:8	59B	R/W	0F5	000	
RHIGHL	User Define Range High Bit 7:0	59C	R/W	0D3	000	
RHIGHH	User Define Range High Bit 15:8	59D	R/W	0D4	000	
RPRIORITY	User Define Range Priority	59E	R/W	0D5	000	
5. MISC Configuration Registers						
MII_OP0	MII Register Option 0	600	R/W	0F0	000	
MII_OP1	MII Register Option 1	601	R/W	0F1	000	
FEN	Feature Registers	602	R/W	0F2	010	
MIIC0	MII Command Register 0	603	R/W	N/A	000	
MIIC1	MII Command Register 1	604	R/W	N/A	000	
MIIC2	MII Command Register 2	605	R/W	N/A	000	
MIIC3	MII Command Register 3	606	R/W	N/A	000	
MIID0	MII Data Register 0	607	RO	N/A	N/A	
MIID1	MII Data Register 1	608	RO	N/A	N/A	
LED	LED Control Register	609	R/W	0F3	000	
SUM	EEPROM Checksum Register	60B	R/W	0FF	000	
6. Port Mirroring Controls						
MIRROR1_SRC	Port Mirror 1 Source Port	700	R/W	N/A	07F	
MIRROR1_DEST	Port Mirror 1 Destination Port	701	R/W	N/A	017	
MIRROR2_SRC	Port Mirror 2 Source Port	702	R/W	N/A	0FF	
MIRROR2_DEST	Port Mirror 2 Destination Port	703	R/W	N/A	000	
F. Device Configuration Register						
GCR	Global Control Register	F00	R/W	N/A	000	
DCR	Device Status and Signature Register	F01	RO	N/A	N/A	
DCR1	Giga Port status	F02	RO	N/A	N/A	
DPST	Device Port Status Register	F03	R/W	N/A	000	
DTST	Data read back register	F04	RO	N/A	N/A	
DA	DA Register	FFF	RO	N/A	DA	

13.2 Group 0 Address MAC Ports Group

13.2.1 ECR1Pn: Port N Control Register

- I²C Address h000-01A; CPU Address: 0000+2xN
- Accessed by serial interface and I²C (R/W)

7	6	5	4	3	2	1	0
Sp State		A-FC	Port Mode				

- Bit [0]
- 1 - Flow Control Off
 - 0 - Flow Control On
 - When Flow Control On:
 - In half duplex mode, the MAC transmitter applies back pressure for flow control.
 - In full duplex mode, the MAC transmitter sends Flow Control frames when necessary. The MAC receiver interprets and processes incoming flow control frames. The Flow Control Frame Received counter is incremented whenever a flow control is received.
 - When Flow Control off:
 - In half duplex mode, the MAC Transmitter does not assert flow control by sending flow control frames or jamming collision.
 - In full duplex mode, the Mac transmitter does not send flow control frames. The MAC receiver does not interpret or process the flow control frames. The Flow Control Frame Received counter is not incremented.
- Bit [1]
- 1 - Half Duplex - Only 10/100 mode
 - 0 - Full Duplex
- Bit [2]
- 1 - 10Mbps
 - 0 - 100Mbps
- Bit [4:3]
- 00 - Automatic Enable Auto Neg. This enables hardware state machine for auto-negotiation.
 - 01 - Limited Disable auto Neg. This disables hardware for speed auto-negotiation. Poll MII for link status.
 - 10 - Link Down. Disable auto Neg. state machine and force link down (disable the port)
 - 11 - Link Up. User ERC1 [2:0] for config.
- Bit [5]
- Asymmetric Flow Control Enable
 - 0 - Disable asymmetric flow control
 - 1 - Enable asymmetric flow control
 - Asymmetric Flow Control Enable. When this bit is set and flow control is on (bit[0] = 0, don't send out a flow control frame. But MAC receiver interprets and process flow control frames. Default is 0
- Bit [7:6]
- SS - Spanning tree state Default is 11
 - 00 – Blocking: Frame is dropped
 - 01 - Listening: Frame is dropped
 - 10 - Learning: Frame is dropped. Source MAC address is learned.
 - 11 - Forwarding: Frame is forwarded. Source MAC address is learned.

13.2.2 ECR2Pn: Port N Control Register

- I²C Address: h01B-035; CPU Address: h0001+2xN
- Accessed by and serial interface and I²C (R/W)

7	6	5	4	3	2	1	0
	QoS Sel	Reserve	DisL	Ftf	Futf		

- Bit[0]:
- Filter untagged frame (**Default 0**)
 - 0: Disable
 - 1: All untagged frames from this port are discarded
- Bit[1]:
- Filter Tag frame (**Default 0**)
 - 0: Disable
 - 1: All tagged frames from this port are discarded
- Bit[2]:
- Learning Disable (**Default 0**)
 - 1 Learning is disabled on this port
 - 0 Learning is enabled on this port
- Bit[3]:
- Must be set to '1'
- Bit [5:4]:
- QoS mode selection (Default 00)
 - Determines which of the 4 sets of QoS settings is used for 10/100 ports.
 - Note that there are 4 sets of per-queue byte thresholds, and 4 sets of WFQ ratios programmed. These bits select among the 4 choices for each 10/100 port. Refer to QoS Application Note.
 - 00: select class byte limit set 0 and classes WFQ credit set 0
 - 01: select class byte limit set 1 and classes WFQ credit set 1
 - 10: select class byte limit set 2 and classes WFQ credit set 2
 - 11: select class byte limit set 3 and classes WFQ credit set 3
- Bit[7:6]
- Reserved

13.2.3 GGControl – Extra GIGA Port Control

- CPU Address: h036
- Accessed by serial interface (R/W)

7	6	5	4	3	2	1	0
DF		MiiB	RstA	DF		MiiA	RstA

- Bit[0]:
- Reset GIGA port A
 - 0: Normal operation (default)
 - 1: Reset Gigabit port A
- Bit[1]:
- GIGA port A use MII interface (10/100M)
 - 0: Gigabit port operations at 1000 mode
 - 1: Gigabit port operations at 10/100 mode
- Bit[2]:
- Reserved - Must be zero
- Bit[3]:
- GIGA port A direct flow control (MAC to MAC connection). The MVTX2603 supports direct flow control mechanism, the flow control frame is therefore not sent through the Gigabit port data path.
 - 0: Direct flow control disabled (default)
 - 1: Direct flow control enabled
- Bit[4]:
- Reset GIGA port B
 - 0: Normal operation (default)
 - 1: Reset Gigabit port B
- Bit[5]:
- GIGA port B use MII interface (10/100M)
 - 0: Gigabit port operates at 1000 mode
 - 1: Gigabit port operates at 10/100 mode
- Bit[6]:
- Reserved. Must be zero.
- Bit[7]:
- GIGA port B direct flow control (MAC to MAC connection). The MVTX2603 supports direct flow control mechanism, the flow control frame is therefore not sent through the Gigabit port data path.
 - 0: Direct flow control disabled (default)
 - 1: Direct flow control enabled

13.3 Group 1 Address VLAN Group

13.3.1 AVTCL – VLAN Type Code Register Low

- I²C Address h036; CPU Address: h100
- Accessed by serial interface and I²C (R/W)

Bit[7:0]: • VLANType_LOW: Lower 8 bits of the VLAN type code (Default 00)

13.3.2 AVTCH – VLAN Type Code Register High

- I²C Address h037; CPU Address: h101
- Accessed by serial interface and I²C (R/W)

Bit[7:0]: • VLANType_HIGH: Upper 8 bits of the VLAN type code (Default is 81)

13.3.3 PVMAP00_0 – Port 00 Configuration Register 0

- I²C Address h038, CPU Address: h102
- Accessed by serial interface and I²C (R/W)

Bit[7:0]: • VLAN Mask for ports 7 to 0 (Default FF)

This register indicates the legal egress ports. A “1” on bit 7 means that the packet can be sent to port 7. A “0” on bit 7 means that any packet destined to port 7 will be discarded. This register works with registers 1, 2 and 3 to form a 27 bit mask to all egress ports.

13.3.4 PVMAP00_1 – Port 00 Configuration Register 1

- I²C Address h39, CPU Address: h103
- Accessed by serial interface and I²C (R/W)

Bit[7:0]: • VLAN Mask for ports 15 to 8 (Default is FF)

13.3.5 PVMAP00_2 – Port 00 Configuration Register 2

- I²C Address h3A, CPU Address: h104
- Accessed by serial interface and I²C (R/W)

Bit [7:0]: • VLAN Mask for ports 23 to 16 (Default FF)

13.3.6 PVMAP00_3 – Port 00 Configuration Register 3

- I²C Address h3b, CPU Address: h105
- Accessed by serial interface and I²C (R/W)

7	6	5	3	2	1	0
FP en	Drop	Default tx priority		VLAN Mask		

- Bit [0]: Reserved (Default 1)
- Bit [2:1]: VLAN Mask for ports 26 to 25 (Default 3)
- Bit [5:1]: Default Transmit priority. Used when Bit[7] = 1 (**Default 0**)
- 000 Transmit Priority Level 0 (Lowest)
 - 001 Transmit Priority Level 1
 - 010 Transmit Priority Level 2
 - 011 Transmit Priority Level 3
 - 100 Transmit Priority Level 4
 - 101 Transmit Priority Level 5
 - 110 Transmit Priority Level 6
 - 111 Transmit Priority Level 7 (Highest)
- Bit [6]: Default Discard priority (**Default 0**)
- 0 - Discard Priority Level 0 (Lowest)
 - 1 - Discard Priority Level 7(Highest)
- Bit [7]: Enable Fix Priority (**Default 0**)
- 0 Disable fix priority. All frames are analysed. Transmit Priority and Discard Priority are based on VLAN Tag, TOS field or Logical Port.
 - 1 Transmit Priority and Discard Priority are based on values programmed in bit [6:3]

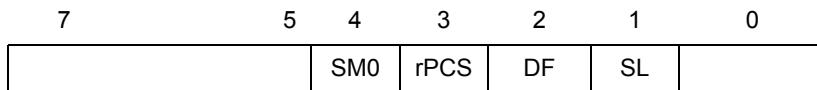
13.4 Port Configuration Register

- **PVMAP01_0,1,2,3** I²C Address h3C,3D,3E,3F; CPU Address:h106,107,108,109)
- **PVMAP02_0,1,2,3** I²C Address h40,41,42,43; CPU Address:h10A, 10B, 10C, 10D)
- **PVMAP03_0,1,2,3** I²C Address h44,45,46,47; CPU Address:h10E, 10F, 110, 111)
- **PVMAP04_0,1,2,3** I²C Address h48,49,4A,4B; CPU Address:h112, 113, 114, 115)
- **PVMAP05_0,1,2,3** I²C Address h4C,4D,4E,4F; CPU Address:h116, 117, 118, 119)
- **PVMAP06_0,1,2,3** I²C Address h50,51,52,53; CPU Address:h11A, 11B, 11C, 11D)
- **PVMAP07_0,1,2,3** I²C Address h54,55,56,57; CPU Address:h11E, 11F, 120, 121)
- **PVMAP08_0,1,2,3** I²C Address h58,59,5A,5B; CPU Address:h122, 123, 124, 125)
- **PVMAP09_0,1,2,3** I²C Address h5C,5D,5E,5F; CPU Address:h126, 127, 128, 129)
- **PVMAP10_0,1,2,3** I²C Address h60,61,62,63; CPU Address:h12A, 12B, 12C, 12D)
- **PVMAP11_0,1,2,3** I²C Address h64,65,66,67; CPU Address:h12E, 12F, 130, 131)
- **PVMAP12_0,1,2,3** I²C Address h68,69,6A,6B; CPU Address:h132, 133, 134, 135)
- **PVMAP13_0,1,2,3** I²C Address h6C,6D,6E,6F; CPU Address:h136, 137, 138, 139)
- **PVMAP14_0,1,2,3** I²C Address h70,71,72,73; CPU Address:h13A, h13B, 13C, 13D)
- **PVMAP15_0,1,2,3** I²C Address h74,75,76,77; CPU Address:h13E, 13F, 140, 141)
- **PVMAP16_0,1,2,3** I²C Address h78,79,7A,7B; CPU Address:h142, 143, 144, 145)
- **PVMAP17_0,1,2,3** I²C Address h7C,7D,7E,7F; CPU Address:h146, 147, 148, 149)
- **PVMAP18_0,1,2,3** I²C Address h80,81,82,83; CPU Address:h14A, 14B, 14C, 14D)
- **PVMAP19_0,1,2,3** I²C Address h84,85,86,87; CPU Address:h14E, 14F, 150, 151)
- **PVMAP20_0,1,2,3** I²C Address h88,89,8A,8B; CPU Address:h152, 153, 154, 155)
- **PVMAP21_0,1,2,3** I²C Address h8C,8D,8E,8F; CPU Address:h156, 157, 158, 159)
- **PVMAP22_0,1,2,3** I²C Address h90,91,92,93; CPU Address:h15A, 15B, 15C, 15D)
- **PVMAP23_0,1,2,3** I²C Address h94,95,96,97; CPU Address:h15E, 15F, 160, 161)

- **PVMAP25_0,1,2,3** I²C Address h9C,9D,9E,9F; CPU Address:h166, 167, 168, 169) (Gigabit port 1)
- **PVMAP26_0,1,2,3** I²C Address hA0,A1,A2,A3; CPU Address:h16A, 16B, 16C, 16D) (Gigabit port 2)

13.4.1 PVMODE

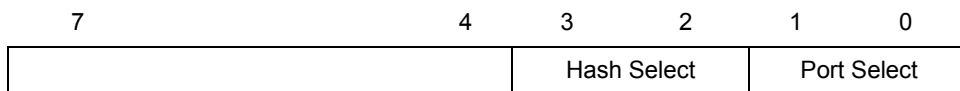
- I²C Address: h0A4, CPU Address: h170
- Accessed by serial interface, and I²C (R/W)



- Bit [0]:
 - Reserved
 - Must be '0'
- Bit [1]:
 - Slow learning
 - Same function as SE_OP MODE bit 7. Either bit can enable the function; both need to be turned off to disable the feature.
- Bit [2]:
 - Disable dropping frames with destination MAC addresses 0180C2000001 to 0180C200000F
 - 0: Drop all frames in the range
 - 1: Treats frames as multicast
- Bit [3]:
 - 1: Disable reset PCS
 - 0: Enable reset PCS. PCS FIFO will be reset when receiving a PCS symbol error.
- Bit [4]:
 - Support MAC address 0
 - 0: MAC address 0 is not learned.
 - 1: MAC address 0 is learned.
- Bit [7:5]:
 - Reserved

13.4.2 TRUNK0_MODE– Trunk group 0 mode

- I²C Address: h0A5; CPU Address: h203
- Accessed by serial interface and I²C (R/W)



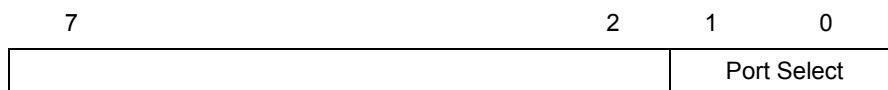
- Bit [1:0]:
 - Port selection in unmanaged mode. Input pin TRUNK0 enable/disable trunk group 0.
 - 00 Reserved
 - 01 Port 0 and 1 are used for trunk 0
 - 10 Port 0,1 and 2 are used for trunk 0
 - 11 Port 0,1,2 and 3 are used for trunk 0

- Bit [3:2]
- Hash Select. The Hash selected is valid for Trunk 0, 1 and 2. (Default 00)
 - 00 Use Source and Destination Mac Address for hashing
 - 01 Use Source Mac Address for hashing
 - 10 Use Destination Mac Address for hashing
 - 11 Use source destination MAC address and ingress physical port number for hashing

Note: Trunk group 2 (two gigabit ports) is enabled/disabled using input pin TRUNK2.

13.4.3 TRUNK1_MODE – Trunk group 1 mode

- I²C Address: h0A6; CPU Address: h20B
- Accessed by serial interface and I²C (R/W)

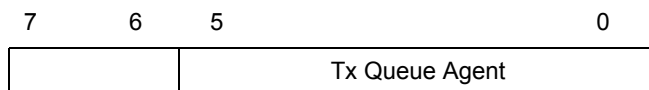


- Bit [1:0]:
- Port selection in unmanaged mode. Input pin TRUNK1 enable/disable trunk group 1.
 - 00 Reserved
 - 01 Port 4 and 5 are used for trunk1
 - 10 Reserved
 - 11 Port 4,5,6 and 7 are used for trunk1

13.5 Group 4 Address Search Engine Group

13.5.1 TX_AGE – Tx Queue Aging timer

- I²C Address: h07; CPU Address: h325
- Accessed by serial interface (RW)



- Bit[5:0]: Unit of 100ms (Default 8)
- Disable transmission queue aging if value is zero. Aging timer for all ports and queues.
- For no packet loss flow control, this register must be set to 0.

13.5.2 AGETIME_LOW – MAC address aging time Low

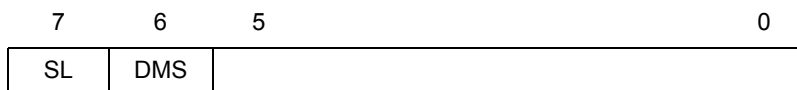
- I²C Address: h0A8; CPU Address: h400
- Accessed by serial interface and I²C (R/W)
- Bit [7:0] Low byte of the MAC address aging timer.
- MAC address aging is enable/disable by boot strap TSTOUT9

13.5.3 AGETIME_HIGH –MAC address aging time High

- I²C Address: h0A9; CPU Address: h401
- Accessed by serial interface and I²C (R/W)
- Bit [7:0]: High byte of the MAC address aging timer.
- The default setting provide 300 seconds aging time. Aging time is based on the following equation:
- {AGETIME_HIGH,AGETIME_LOW} X (# of MAC address entries in the memory x 100µsec). Number of MAC entries = 32K when 1MB is used per bank. Number of MAC entries = 64K when 2MB is used per bank.

13.5.4 SE_OPMODE – Search Engine Operation Mode

- CPU Address: h403
- Accessed by serial interface (R/W)
- {SE_OPMODE} X(# of entries 100usec)

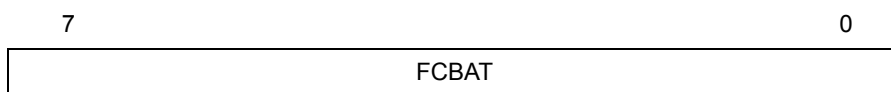


- Bit [5:0]:
 - Reserved
- Bit [6]:
 - Disable MCT speedup aging
 - 1 – Disable speedup aging when MCT resource is low.
 - 0 – Enable speedup aging when MCT resource is low.
- Bit [7]:
 - Slow Learning
 - 1– Enable slow learning. Learning is temporary disabled when search demand is high
 - 0 – Learning is performed independent of search demand

13.6 Group 5 Address Buffer Control/QOS Group

13.6.1 FCBAT – FCB Aging Timer

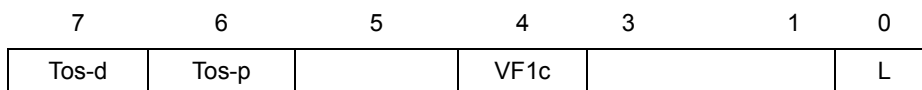
- I²C Address: h0AA; CPU Address: h500



- Bit [7:0]:
 - FCB Aging time. Unit of 1ms. (**Default FF**)
 - This function is for buffer aging control. It is used to configure the aging time, and can be enabled/ disabled through bootstrap pin. It is not recommended to use this function for normal operation.

13.6.2 QOSC – QOS Control

- I²C Address: h0AB; CPU Address: h501
- Accessed by serial interface and I²C (R/W)



- Bit [0]:
 - QoS frame lost is OK. Priority will be available for flow control enabled source only when this bit is set **(Default 0)**
- Bit [4]:
 - Per VLAN Multicast Flow Control **(Default 0)**
 - 0 - Disable
 - 1 - Enable
- Bit [5]:
 - Reserved
- Bit [6]:
 - Select TOS bits for Priority **(Default 0)**
 - 0 - Use TOS [4:2] bits to map the transmit priority
 - 1 - Use TOS [7:5] bits to map the transmit priority
- Bit [7]:
 - Select TOS bits for Drop Priority **(Default 0)**
 - 0 - Use TOS[4:2] bits to map the drop priority
 - 1 - Use TOS[7:5] bits to map the drop priority

13.6.3 FCR – Flooding Control Register

- I²C Address: h0AC; CPU Address: h502
- Accessed by serial interface and I²C (R/W)

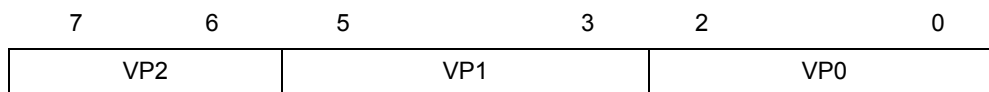
	7	6		4	3		0
	Tos		TimeBase		U2MR		

- Bit [3:0]:
 - U2MR: Unicast to Multicast Rate. Units in terms of time base defined in bits [6:4]. This is used to limit the amount of flooding traffic. The value in U2MR specifies how many packets are allowed to flood within the time specified by bit [6:4]. To disable this function, program U2MR to 0. **(Default = 8)**
- Bit [6:4]:
 - TimeBase:
 - 000 = 100us
 - 001 = 200us
 - 010 = 400us
 - 011 = 800us

 - 100 = 1.6ms
 - 101 = 3.2ms
 - 110 = 6.4ms
 - 111 = 100us (same as 000)
 - (Default = 000)
- Bit [7]:
 - Select VLAN tag or TOS (IP packets) to be preferentially picked to map transmit priority and drop priority **(Default = 0)**.
 - 0 – Select VLAN Tag priority field over TOS
 - 1 – Select TOS over VLAN tag priority field

13.6.4 AVPML – VLAN Priority Map

- I²C Address: h0AD; CPU Address: h503
- Accessed by serial interface and I²C (R/W)

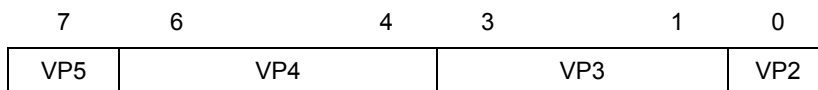


Registers AVPML, AVPMM, and AVPMH allow the eight VLAN priorities to map into eight internal level transmit priorities. Under the internal transmit priority, seven is highest priority where as zero is the lowest. This feature allows the user the flexibility of redefining the VLAN priority field. For example, programming a value of 7 into bit 2:0 of the AVPML register would map VLAN priority 0 into internal transmit priority 7. The new priority is used inside the 2603. When the packet goes out it carries the original priority.

- Bit [2:0]: • Priority when the VLAN tag priority field is 0 (**Default 0**)
- Bit [5:3]: • Priority when the VLAN tag priority field is 1 (**Default 0**)
- Bit [7:6]: • Priority when the VLAN tag priority field is 2 (**Default 0**)

13.6.5 AVPMM – VLAN Priority Map

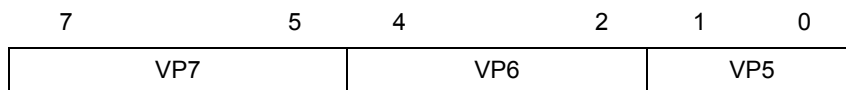
- I²C Address: h0AE, CPU Address: h504
- Accessed by serial interface and I²C (R/W)



- Map VLAN priority into eight level transmit priorities:
 - Bit [0]: • Priority when the VLAN tag priority field is 2 (**Default 0**)
 - Bit [3:1]: • Priority when the VLAN tag priority field is 3 (**Default 0**)
 - Bit [6:4]: • Priority when the VLAN tag priority field is 4 (**Default 0**)
 - Bit [7]: • Priority when the VLAN tag priority field is 5 (**Default 0**)

13.6.6 AVPMH – VLAN Priority Map

- I²C Address: h0AF, CPU Address: h505
- Accessed by serial interface and I²C (R/W)

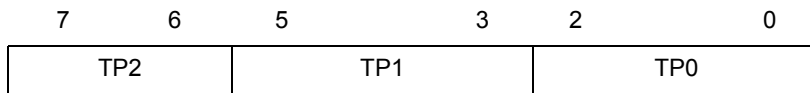


Map VLAN priority into eight level transmit priorities:

- Bit [1:0]: • Priority when the VLAN tag priority field is 5 (**Default 0**)
- Bit [4:2]: • Priority when the VLAN tag priority field is 6 (**Default 0**)
- Bit [7:5]: • Priority when the VLAN tag priority field is 7 (**Default 0**)

13.6.7 TOSPML – TOS Priority Map

- I²C Address: h0B0, CPU Address: h506
- Accessed by serial interface and I²C (R/W)

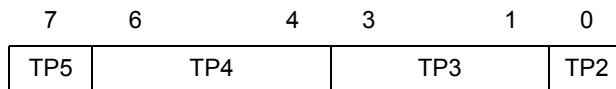


Map TOS field in IP packet into eight level transmit priorities

- Bit [2:0]: • Priority when the TOS field is 0 (**Default 0**)
- Bit [5:3]: • Priority when the TOS field is 1 (**Default 0**)
- Bit [7:6]: • Priority when the TOS field is 2 (**Default 0**)

13.6.8 TOSPM – TOS Priority Map

- I²C Address: h0B1, CPU Address: h507
- Accessed by serial interface and I²C (R/W)

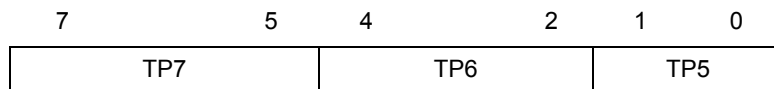


Map TOS field in IP packet into four level transmit priorities

- Bit [0]: • Priority when the TOS field is 2 (**Default 0**)
- Bit [3:1]: • Priority when the TOS field is 3 (**Default 0**)
- Bit [6:4]: • Priority when the TOS field is 4 (**Default 0**)
- Bit [7]: • Priority when the TOS field is 5 (**Default 0**)

13.6.9 TOSPMH – TOS Priority Map

- I²C Address: h0B2, CPU Address: h508
- Accessed by serial interface and I²C (R/W)



Map TOS field in IP packet into four level transmit priorities:

- Bit [1:0]: • Priority when the TOS field is 5 (**Default 0**)
- Bit [4:2]: • Priority when the TOS field is 6 (**Default 0**)
- Bit [7:5]: • Priority when the TOS field is 7 (**Default 0**)

13.6.10 AVDM – VLAN Discard Map

- I²C Address: h0B3, CPU Address: h509
- Accessed by serial interface and I²C (R/W)

7	6	5	4	3	2	1	0
FDV7	FDV6	FDV5	FDV4	FDV3	FDV2	FDV1	FDV0

Map VLAN priority into frame discard when low priority buffer usage is above threshold

- Bit [0]: • Frame drop priority when VLAN tag priority field is 0 **(Default 0)**
- Bit [1]: • Frame drop priority when VLAN tag priority field is 1 **(Default 0)**
- Bit [2]: • Frame drop priority when VLAN tag priority field is 2 **(Default 0)**
- Bit [3]: • Frame drop priority when VLAN tag priority field is 3 **(Default 0)**
- Bit [4]: • Frame drop priority when VLAN tag priority field is 4 **(Default 0)**
- Bit [5]: • Frame drop priority when VLAN tag priority field is 5 **(Default 0)**
- Bit [6]: • Frame drop priority when VLAN tag priority field is 6 **(Default 0)**
- Bit [7]: • Frame drop priority when VLAN tag priority field is 7 **(Default 0)**

13.6.11 TOSDML – TOS Discard Map

- I²C Address: h0B4, CPU Address: h50A
- Accessed by serial interface and I²C (R/W)

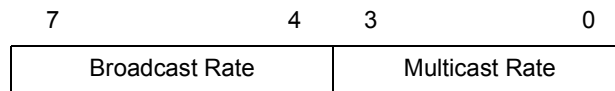
7	6	5	4	3	2	1	0
FDT7	FDT6	FDT5	FDT4	FDT3	FDT2	FDT1	FDT0

Map TOS into frame discard when low priority buffer usage is above threshold

- Bit [0]: • Frame drop priority when TOS field is 0 **(Default 0)**
- Bit [1]: • Frame drop priority when TOS field is 1 **(Default 0)**
- Bit [2]: • Frame drop priority when TOS field is 2 **(Default 0)**
- Bit [3]: • Frame drop priority when TOS field is 3 **(Default 0)**
- Bit [4]: • Frame drop priority when TOS field is 4 **(Default 0)**
- Bit [5]: • Frame drop priority when TOS field is 5 **(Default 0)**
- Bit [6]: • Frame drop priority when TOS field is 6 **(Default 0)**
- Bit [7]: • Frame drop priority when TOS field is 7 **(Default 0)**

13.6.12 BMRC - Broadcast/Multicast Rate Control

- I²C Address: h0B5, CPU Address: h50B
- Accessed by serial interface and I²C (R/W)

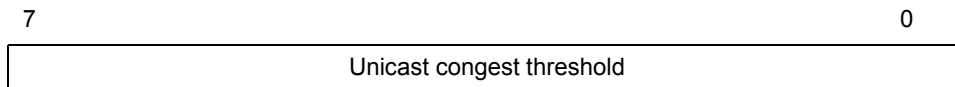


- This broadcast and multicast rate defines for each port the number of packet allowed to be forwarded within a specified time. Once the packet rate is reached, packets will be dropped. To turn off the rate limit, program the field to 0. Timebase is based on register 502 [6:4].

- Bit [3:0]:
- Multicast Rate Control Number of multicast packets allowed within the time defined in bits 6 to 4 of the Flooding Control Register (FCR). **(Default 0)**.
- Bit [7:4]:
- Broadcast Rate Control Number of broadcast packets allowed within the time defined in bits 6 to 4 of the Flooding Control Register (FCR). **(Default 0)**

13.6.13 UCC – Unicast Congestion Control

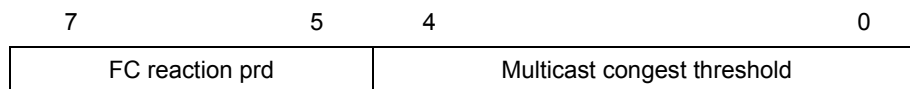
- I²C Address: h0B6, CPU Address: h50C
- Accessed by serial interface and I²C (R/W)



- Bit [7:0]:
- Number of frame count. Used for best effort dropping at B% when destination port's best effort queue reaches UCC threshold and shared pool is all in use. Granularity 1 frame. (Default: h10 for 2 MB/bank or h08 for 1 MB/bank)

13.6.14 MCC – Multicast Congestion Control

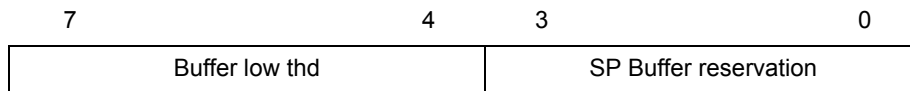
- I²C Address: h0B7, CPU Address: h50D
- Accessed by serial interface and I²C (R/W)



- Bit [4:0]:
- In multiples of two. Used for triggering MC flow control when destination multicast port's best effort queue reaches MCC threshold. (Default 0x10)
- Bit [7:5]:
- Flow control reaction period (Default 2) Granularity 4uSec.

13.6.15 PR100 – Port Reservation for 10/100 ports

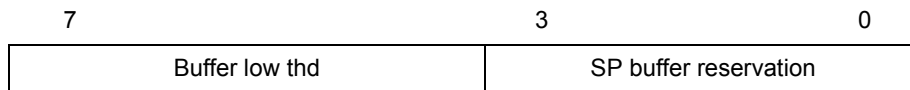
- I²C Address: h0B8, CPU Address: h50E
- Accessed by serial interface and I²C (R/W)



- Bit [3:0]:
- Per port buffer reservation.
 - Define the space in the FDB reserved for each 10/100 port. Expressed in multiples of 4 packets. For each packet 1536 bytes are reserved in the memory.
- Bits [7:4]:
- Expressed in multiples of 4 packets. Threshold for dropping all best effort frames when destination port best efforts queues reach UCC threshold and shared pool all used and source port reservation is at or below the PR100[7:4] level. Also the threshold for initiating UC flow control.
 - Default:
 - h36 for 24+2 configuration with memory 2MB/bank;
 - h24 for 24+2 configuration with 1MB/bank;

13.6.16 PRG – Port Reservation for Giga ports

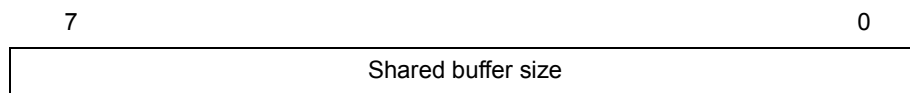
- I²C Address: h0B9, CPU Address: h50F
- Accessed by serial interface and I²C (R/W)



- Bit [3:0]:
- Per source port buffer reservation.
 - Define the space in the FDB reserved for each Gigabit port. Expressed in multiples of 16 packets. For each packet 1536 bytes are reserved in the memory.
- Bits [7:4]:
- Expressed in multiples of 16 packets. Threshold for dropping all best effort frames when destination port best effort queues reach UCC threshold and shared pool is all used and source port reservation is at or below the PRG[7:4] level. Also the threshold for initiating UC flow control.
 - Default:
 - H58 for memory 2MB/bank;
 - H35 for 1MB/bank;

13.6.17 SFCB – Share FCB Size

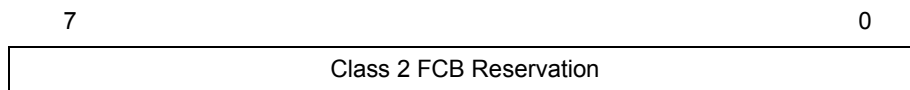
- I²C Address: h0BA, CPU Address: h510
- Accessed by serial interface and I²C (R/W)



- Bits [7:0]:
- Expressed in multiples of 4 packets. Buffer reservation for shared pool.
 - Default:
 - h64 for 24+2 configuration with memory of 2MB/bank;
 - h14 for 24+2 configuration with memory of 1MB/bank;

13.6.18 C2RS – Class 2 Reserve Size

- I²C Address: h0BB, CPU Address: h511
- Accessed by serial interface and I²C (R/W)



- Buffer reservation for class 2 (third lowest priority). Granularity 1. **(Default 0)**

13.6.19 C3RS – Class 3 Reserve Size

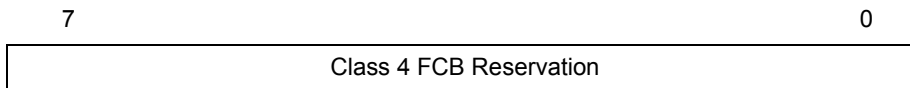
- I²C Address: h0BC, CPU Address: h512
- Accessed by serial interface and I²C (R/W)



- Buffer reservation for class 3. Granularity 1. **(Default 0)**

13.6.20 C4RS – Class 4 Reserve Size

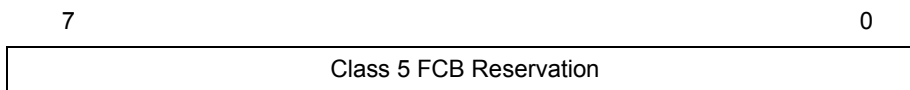
- I²C Address: h0BD, CPU Address: h513
- Accessed by serial interface and I²C (R/W)



- Buffer reservation for class 4. Granularity 1. **(Default 0)**

13.6.21 C5RS – Class 5 Reserve Size

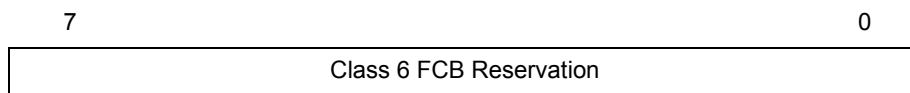
- I²C Address: h0BE; CPU Address: h514
- Accessed by serial interface and I²C (R/W)



- Buffer reservation for class 5. Granularity 1. **(Default 0)**

13.6.22 C6RS – Class 6 Reserve Size

- I²C Address: h0BF; CPU Address h515
- Accessed by serial interface and I²C (R/W)



- Buffer reservation for class 6 (second highest priority). Granularity 1. **(Default 0)**

13.6.23 C7RS – Class 7 Reserve Size

- I²C Address: h0C0; CPU Address: h516
- Accessed by serial interface and I²C (R/W)



- Buffer reservation for class 7 (highest priority). Granularity 1. **(Default 0)**

13.6.24 Classes Byte Limit Set 0

- Accessed by serial interface and I²C (R/W)
- C — QOSC00 – BYTE_C01 (I²C Address h0C1, CPU Address 517)
- B — QOSC01 – BYTE_C02 (I²C Address h0C2, CPU Address 518)
- A — QOSC02 – BYTE_C03 (I²C Address h0C3, CPU Address 519)

QOSC00 through QOSC02 represents one set of values A-C for a 10/100 port when using the Weighted Random Early Drop (WRED) Scheme described in Chapter 7.7. There are four such sets of values A-C specified in Classes Byte Limit Set 0, 1, 2, and 3.

Each 10/ 100 port can choose one of the four Byte Limit Sets as specified by the QoS Select field located in bits 5 to 4 of the ECR2n register. The values A-C are per-queue byte thresholds for random early drop. QOSC02 represents A, and QOSC00 represents C.

Granularity when Delay bound is used: QOSC02: 128 bytes, QOSC01: 256 bytes. QOSC00: 512 bytes. Granularity when WFQ is used: QOSC02: 512 bytes, QOSC01: 512 bytes, QOSC00: 512 bytes.

13.6.25 Classes Byte Limit Set 1

- Accessed by serial interface and I²C (R/W)
- C - QOSC03 – BYTE_C11 (I²C Address h0C4, CPU Address 51a)
- B - QOSC04 – BYTE_C12 (I²C Address h0C5, CPU Address 51b)
- A - QOSC05 – BYTE_C13 (I²C Address h0C6, CPU Address 51c)

QOSC03 through QOSC05 represents one set of values A-C for a 10/100 port when using the Weighted Random Early Detect (WRED) Scheme.

Granularity when Delay bound is used: QOSC05: 128 bytes, QOSC04: 256 bytes. QOSC03: 512 bytes. Granularity when WFQ is used: QOSC05: 512 bytes, QOSC04: 512 bytes, QOSC03: 512 bytes.

13.6.26 Classes Byte Limit Set 2

- Accessed by serial interface and I²C (R/W)
 - C - QOSC06 – BYTE_C21 (CPU Address 51d)
 - B - QOSC07 – BYTE_C22 (CPU Address 51e)
 - A - QOSC08 – BYTE_C23 (CPU Address 51f)

QOSC06 through QOSC08 represents one set of values A-C for a 10/100 port when using the Weighted Random Early Detect (WRED) Scheme.

Granularity when Delay bound is used: QOSC08: 128 bytes, QOSC07: 256 bytes. QOSC06: 512 bytes.
Granularity when WFQ is used: QOSC08: 512 bytes, QOSC07: 512 bytes, QOSC06: 512 bytes.

13.6.27 Classes Byte Limit Set 3

- Accessed by serial interface and I²C (R/W)
 - C - QOSC09 – BYTE_C31 (CPU Address 520)
 - B - QOSC10 – BYTE_C32 (CPU Address 521)
 - A - QOSC11 – BYTE_C33 (CPU Address 522)

QOSC09 through QOSC011 represents one set of values A-C for a 10/100 port when using the Weighted Random Early Detect (WRED) Scheme.

Granularity when Delay bound is used: QOSC11: 128 bytes, QOSC10: 256 bytes. QOSC09: 512 bytes.
Granularity when WFQ is used: QOSC11: 512 bytes, QOSC10: 512 bytes, QOSC09: 512 bytes.

13.6.28 Classes Byte Limit Giga Port 1

- Accessed by serial interface and I²C (R/W)
 - F - QOSC12 – BYTE_C2_G1 (I²C Address h0C7, CPU Address 523)
 - E - QOSC13 – BYTE_C3_G1 (I²C Address h0C8, CPU Address 524)
 - D - QOSC14 – BYTE_C4_G1 (I²C Address h0C9, CPU Address 525)
 - C - QOSC15 – BYTE_C5_G1 (I²C Address h0CA, CPU Address 526)
 - B - QOSC16 – BYTE_C6_G1 (I²C Address h0CB, CPU Address 527)
 - A - QOSC17 – BYTE_C7_G1 (I²C Address h0CC, CPU Address 528)

QOSC12 through QOSC17 represent the values A-F for Gigabit port 24. They are per-queue byte thresholds for random early drop. QOSC17 represents A, and QOSC12 represents F.

Granularity when Delay bound is used: QOSC17 and QOSC16: 256 bytes, QOSC15 and QOSC14: 512 bytes, QOSC13 and QOSC12: 1024 bytes.

Granularity when WFQ is used: QOSC17 to QOSC12: 1024 bytes

13.6.29 Classes Byte Limit Giga Port 2

- Accessed by serial interface and I²C (R/W)
 - F - QOSC18 – BYTE_C2_G2 (I²C Address h0CD, CPU Address 529)
 - E - QOSC19 – BYTE_C3_G2 (I²C Address h0CE, CPU Address 52a)
 - D - QOSC20 – BYTE_C4_G2 (I²C Address h0CF, CPU Address 52b)
 - C - QOSC21 – BYTE_C5_G2 (I²C Address h0D0, CPU Address 52c)
 - B - QOSC22 – BYTE_C6_G2 (I²C Address h0D1, CPU Address 52d)
 - A - QOSC23 – BYTE_C7_G2 (I²C Address h0D2, CPU Address 52e)

QOSC18 through QOSC23 represent the values A-F for Gigabit port 2. They are per-queue byte thresholds for random early drop. QOSC23 represents A, and QOSC18 represents F.

Granularity when Delay Bound is used: QOSC23 and QOSC22: 256 bytes, QOSC21 and QOSC20: 512 bytes, QOSC19 and QOSC18: 1024 bytes.

Granularity when WFQ is used: QOSC18 to QOSC23: 1024 bytes

13.6.30 Classes WFQ Credit Set 0

- Accessed by serial interface (R/W)
 - W3 - QOSC24[5:0] – CREDIT_C00 (CPU Address 52f)
 - W2 - QOSC25[5:0] – CREDIT_C01 (CPU Address 530)
 - W1 - QOSC26[5:0] – CREDIT_C02 (CPU Address 531)
 - W0 - QOSC27[5:0] – CREDIT_C03 (CPU Address 532)

QOSC24 through QOSC27 represents one set of WFQ parameters for a 10/100 port. There are four such sets of values. The granularity of the numbers is 1, and their sum must be 64. QOSC27 corresponds to W0, and QOSC24 corresponds to W3.

- QOSC24[7:6]: Priority service type for the ports select this parameter set. Option 1 to 4.
- QOSC25[7]: Priority service allow flow control for the ports select this parameter set.
- QOSC25[6]: Flow control pause best effort traffic only

Both flow control allow and flow control best effort only can take effect only the priority type is WFQ.

13.6.31 Classes WFQ Credit Set 1

- Accessed by serial interface (R/W)
 - W3 - QOSC28[5:0] – CREDIT_C10 (CPU Address 533)
 - W2 - QOSC29[5:0] – CREDIT_C11 (CPU Address 534)
 - W1 - QOSC30[5:0] – CREDIT_C12 (CPU Address 535)
 - W0 - QOSC31[5:0] – CREDIT_C13 (CPU Address 536)

QOSC28 through QOSC31 represents one set of WFQ parameters for a 10/100 port. There are four such sets of values. The granularity of the numbers is 1, and their sum must be 64. QOSC31 corresponds to W0, and QOSC28 corresponds to W3.

QOSC28[7:6]: Priority service type for the ports select this parameter set. Option 1 to 4.

QOSC29[7]: Priority service allow flow control for the ports select this parameter set.

QOSC29[6]: Flow control pause best effort traffic only

13.6.32 Classes WFQ Credit Set 2

- Accessed by serial interface (R/W)
W3 - QOSC32[5:0] – CREDIT_C20 (CPU Address 537)
W2 - QOSC33[5:0] – CREDIT_C21 (CPU Address 538)
W1 - QOSC34[5:0] – CREDIT_C22 (CPU Address 539)
W0 - QOSC35[5:0] – CREDIT_C23 (CPU Address 53a)

QOSC35 through QOSC32 represents one set of WFQ parameters for a 10/100 port. There are four such sets of values. The granularity of the numbers is 1, and their sum must be 64. QOSC35 corresponds to W0, and QOSC32 corresponds to W3.

- QOSC32[7:6]: Priority service type for the ports select this parameter set. Option 1 to option 4.
- QOSC33[7]: Priority service allow flow control for the ports select this parameter set.
- QOSC33[6]: Flow Control pause best effort traffic only

13.6.33 Classes WFQ Credit Set 3

- Accessed by serial interface (R/W)
W3 - QOSC36[5:0] – CREDIT_C30 (CPU Address 53b)
W2 - QOSC37[5:0] – CREDIT_C31 (CPU Address 53c)
W1 - QOSC38[5:0] – CREDIT_C32 (CPU Address 53d)
W0 - QOSC39[5:0] – CREDIT_C33 (CPU Address 53e)

QOSC39 through QOSC36 represents one set of WFQ parameters for a 10/100 port. There are four such sets of values. The granularity of the numbers is 1, and their sum must be 64. QOSC39 corresponds to W0, and QOSC36 corresponds to W3.

- QOSC36[7:6]: Priority service type for the ports select this parameter set. Option 1 to option 4.
- QOSC37[7]: Priority service allow flow control for the ports select this parameter set.
- QOSC37[6]: Flow Control pause best effort traffic only

13.6.34 Classes WFQ Credit Port G1

- Accessed by serial interface (R/W)
W7 - QOSC40[5:0] – CREDIT_C0_G1 (CPU Address 53F)
[7:6] - Priority service type. Option 1 to 4.
W6 - QOSC41[5:0] – CREDIT_C1_G1 (CPU Address 540)
[7]: Priority service allow flow control for the ports select this parameter set.
[6]: Flow Control pause best effort traffic only
W5 - QOSC42[5:0] – CREDIT_C2_G1 (CPU Address 541)
W4 - QOSC43[5:0] – CREDIT_C3_G1 (CPU Address 542)
W3 - QOSC44[5:0] – CREDIT_C4_G1 (CPU Address 543)
W2 - QOSC45[5:0] – CREDIT_C5_G1 (CPU Address 544)
W1 - QOSC46[5:0] – CREDIT_C6_G1 (CPU Address 545)
W0 - QOSC47[5:0] – CREDIT_C7_G1 (CPU Address 546)

QOSC40 through QOSC47 represents the set of WFQ parameters for Gigabit port 24. The granularity of the numbers is 1, and their sum must be 64. QOSC47 corresponds to W0, and QOSC40 corresponds to W7. In the 2G trunk configuration, the sum of all values QOSC40 through QOSC47 must equal 128.

13.6.35 Classes WFQ Credit Port G2

- Accessed by serial interface (R/W)
 - W7 - QOSC48[5:0] – CREDIT_C0_G2 (CPU Address 547)
 - [7:6] - Priority service type. Option 1 to 4.
 - W6 - QOSC49[5:0] – CREDIT_C1_G2 (CPU Address 548)
 - [7]: Priority service allow flow control for the ports select this parameter set.
 - [6]: Flow Control pause best effort traffic only
 - W5 - QOSC50[5:0] – CREDIT_C2_G2 (CPU Address 549)
 - W4 - QOSC51[5:0] – CREDIT_C3_G2 (CPU Address 54a)
 - W3 - QOSC52[5:0] – CREDIT_C4_G2 (CPU Address 54b)
 - W2 - QOSC53[5:0] – CREDIT_C5_G2 (CPU Address 54c)
 - W1 - QOSC54[5:0] – CREDIT_C6_G2 (CPU Address 54d)
 - W0 - QOSC55[5:0] – CREDIT_C7_G2 (CPU Address 54e)

QOSC48 through QOSC55 represents the set of WFQ parameters for Gigabit port 25. The granularity of the numbers is 1, and their sum must be 64. QOSC55 corresponds to W0, and QOSC48 corresponds to W7. In the 2G trunk configuration, the sum of all values QOSC48 through QOSC55 must equal 128.

13.6.36 Class 6 Shaper Control Port G1

- Accessed by serial interface (R/W)
 - QOSC56[5:0] – TOKEN_RATE_G1 (Address 54f). Programs the average rate for Gigabit port 1. When equal to 0, shaper is disable. Granularity is 1.
 - QOSC57[7:0] – TOKEN_LIMIT_G1 (Address 550). Programs the maximum counter for Gigabit port1. Granularity is 16 bytes.

Shaper is implemented to control the peak and average rate for outgoing traffic with priority 6 (queue 6). Shaper is limited to gigabit ports and queue P6 when it is in strict priority. QOSC41 programs the peak rate for Gigabit port 1. See Programming QoS Registers application note for more information.

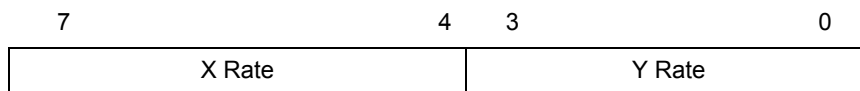
13.6.37 Class 6 Shaper Control Port G2

- Accessed by serial interface (R/W)
 - QOSC58[5:0] – TOKEN_RATE_G2 (CPU Address 551). Programs the average rate for Gigabit port 2. When equal to 0, shaper is disable. Granularity is 1.
 - QOSC59[7:0] – TOKEN_LIMIT_G2 (CPU Address 552). Programs the maximum counter for Gigabit port2. Granularity is 16 bytes.

Shaper is implemented to control the peak and average rate for outgoing traffic with priority 6 (queue 6). Shaper is limited to gigabit ports and queue P6 when it is in strict priority. QOSC49 programs the peak rate for Gigabit port 2. See Programming QoS Registers application note for more information.

13.6.38 RDRC0 – WRED Rate Control 0

- I²C Address: h0FB, CPU Address: h553
- Accessed by serial Interface and I²C (R/W)



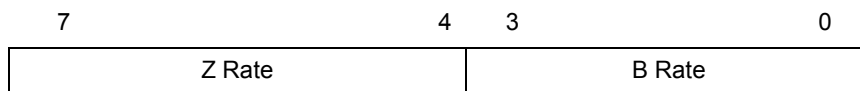
Bits [7:4]: • Corresponds to the frame drop percentage X% for WRED. Granularity 6.25%.

Bits[3:0]: • Corresponds to the frame drop percentage Y% for WRED. Granularity 6.25%.

See Programming QoS Registers application note for more information.

13.6.39 RDRC1 – WRED Rate Control 1

- I²C Address: h0FC, CPU Address: h554
- Accessed by serial Interface and I²C (R/W)



Bits [7:4]: • Corresponds to the frame drop percentage Z% for WRED. Granularity 6.25%.

Bits[3:0]: • Corresponds to the best effort frame drop percentage B%, when shared pool is all in use and destination port best effort queue reaches UCC. Granularity 6.25%.

See Programming QoS Register application note for more information.

13.6.40 User Defined Logical Ports and Well Known Ports

The MVTX2603 supports classifying packet priority through layer 4 logical port information. It can be setup by 8 Well Known Ports, 8 User Defined Logical Ports, and 1 User Defined Range. The 8 Well Known Ports supported are

- 0:23
- 1:512
- 2:6000
- 3:443
- 4:111
- 5:22555
- 6:22
- 7:554

Their respective priority can be programmed via Well_Known_Port [7:0] priority register. Well_Known_Port_Enable can individually turn on/off each Well Known Port if desired.

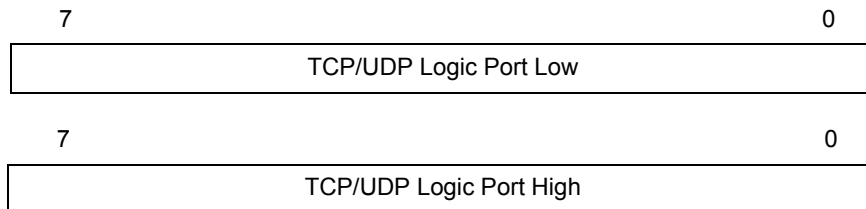
Similarly, the User Defined Logical Port provides the user programmability to the priority, plus the flexibility to select specific logical ports to fit the applications. The 8 User Logical Ports can be programmed via User_Port 0-7 registers. Two registers are required to be programmed for the logical port number. The respective priority

can be programmed to the User_Port [7:0] priority register. The port priority can be individually enabled/disabled via User_Port_Enable register.

The User Defined Range provides a range of logical port numbers with the same priority level. Programming is similar to the User Defined Logical Port. Instead of programming a fixed port number, an upper and lower limit need to be programmed, they are: {RHIGHH, RHIGHL} and {RLOWH, RLOWL} respectively. If the value in the upper limit is smaller or equal to the lower limit, the function is disabled. Any IP packet with a logical port that is less than the upper limit and more than the lower limit will use the priority specified in RPRIORITY.

13.6.40.1 USER_PORT0_(0~7) – User Define Logical Port (0~7)

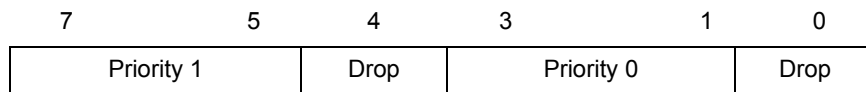
- USER_PORT_0 - I²C Address h0D6 + 0DE; CPU Address 580(Low) + 581(High)
- USER_PORT_1 - I²C Address h0D7 + 0DF; CPU Address 582 + 583
- USER_PORT_2 - I²C Address h0D8 + 0E0; CPU Address 584 + 585
- USER_PORT_3 - I²C Address h0D9 + 0E1; CPU Address 586 + 587
- USER_PORT_4 - I²C Address h0DA + 0E2; CPU Address 588 + 589
- USER_PORT_5 - I²C Address h0DB + 0E3; CPU Address 58a + 58b
- USER_PORT_6 - I²C Address h0DC + 0E4; CPU Address 58c + 58d
- USER_PORT_7 - I²C Address h0DD + 0E5; CPU Address 58e + 58f
- Accessed by serial interface and I²C (R/W)



- (Default 00) This register is duplicated eight times from PORT 0 through PORT 7 and allows the definition of eight separate ports.

13.6.40.2 USER_PORT_[1:0]_PRIORITY - User Define Logic Port 1 and 0 Priority

- I²C Address: h0E6, CPU Address: h590
- Accessed by serial interface and I²C (R/W)



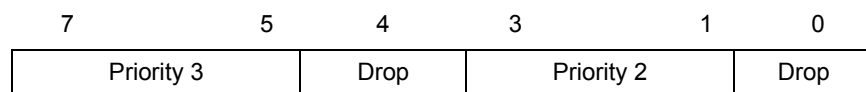
- The chip allows the definition of the priority

Bits[3:0]: • Priority setting, transmission + dropping, for logic port 0

Bits [7:4]: • Priority setting, transmission + dropping, for logic port 1 (Default 00)

13.6.40.3 USER_PORT_[3:2]_PRIORITY - User Define Logic Port 3 and 2 Priority

- I²C Address: h0E7, CPU Address: h591
- Accessed by serial interface and I²C (R/W)



13.6.40.4 USER_PORT_[5:4]_PRIORITY - User Define Logic Port 5 and 4 Priority

- I²C Address: h0E8, CPU Address: h592
- Accessed by serial interface and I²C (R/W)

7	5	4	3	1	0
Priority 5		Drop	Priority 4		Drop

- (Default 00)

13.6.40.5 USER_PORT_[7:6]_PRIORITY - User Define Logic Port 7 and 6 Priority

- I²C Address: h0E9, CPU Address: h593
- Accessed by serial interface and I²C (R/W)

7	5	4	3	1	0
Priority 7		Drop	Priority 6		Drop

- (Default 00)

13.6.40.6 USER_PORT_ENABLE [7:0] – User Define Logic 7 to 0 Port Enables

- I²C Address: h0EA, CPU Address: h594
- Accessed by serial interface and I²C (R/W)

7	6	5	4	3	2	1	0
P7	P6	P5	P4	P3	P2	P1	P0

- (Default 00)

13.6.40.7 WELL_KNOWN_PORT [1:0] PRIORITY- Well Known Logic Port 1 and 0 Priority

- I²C Address: h0EB, CPU Address: h595
- Accessed by serial interface and I²C (R/W)

7	5	4	3	1	0
Priority 1		Drop	Priority 0		Drop

- Priority 0 - Well known port 23 for telnet applications.
- Priority 1 - Well known port 512 for TCP/UDP
- (Default 00)

13.6.40.8 WELL_KNOWN_PORT [3:2] PRIORITY- Well Known Logic Port 3 and 2 Priority

- I²C Address: h0EC, CPU Address: h596
- Accessed by serial interface and I²C (R/W)

7	5	4	3	1	0
Priority 3		Drop	Priority 2		Drop

- Priority 2 - Well known port 6000 for XWIN.
- Priority 3 - Well known port 443 for http. sec
- (Default 00)

13.6.40.9WELL_KNOWN_PORT [5:4] PRIORITY- Well Known Logic Port 5 and 4 Priority

- I²C Address: h0ED, CPU Address: h597
- Accessed by serial interface and I²C (R/W)

7	5	4	3	1	0
Priority 5	Drop		Priority 4		Drop

- Priority 4 - Well known port 111 for sun rpe.
- Priority 5 - Well known port 22555 for IP Phone call setup.
- (Default 00)

13.6.40.10WELL_KNOWN_PORT [7:6] PRIORITY- Well Known Logic Port 7 and 6 Priority

- I²C Address: h0EE, CPU Address: h598
- Accessed by serial interface and I²C (R/W)

7	5	4	3	1	0
Priority 7	Drop		Priority 6		Drop

- Priority 6 - Well known port 22 for ssh.
- Priority 7 - Well known port 554 for rtsp.
- (Default 00)

13.6.40.11WELL_KNOWN_PORT_ENABLE [7:0] – Well Known Logic 7 to 0 Port Enables

- I²C Address: h0EF, CPU Address: h599
- Accessed by serial interface and I²C (R/W)

7	6	5	4	3	2	1	0
P7	P6	P5	P4	P3	P2	P1	P0

- 1 - Enable
- 0 - Disable
- (Default 00)

13.6.40.12RLOWL – User Define Range Low Bit 7:0

- I²C Address: h0F4, CPU Address: h59a
- Accessed by serial interface and I²C (R/W)
- (Default 00)

13.6.40.13RLOWH – User Define Range Low Bit 15:8

- I²C Address: h0F5, CPU Address: h59b
- Accessed by serial interface and I²C (R/W)
- (Default 00)

13.6.40.14RHIGHL – User Define Range High Bit 7:0

- I²C Address: h0D3, CPU Address: h59c
- Accessed by serial interface and I²C (R/W)
- (Default 00)

13.6.40.15RHIGHH – User Define Range High Bit 15:8

- I²C Address: h0D4, CPU Address: h59d
- Accessed by serial interface and I²C (R/W)
- (Default 00)

13.6.40.16RPRIORITY – User Define Range Priority

- I²C Address: h0D5, CPU Address: h59e
- Accessed by serial interface and I²C (R/W)



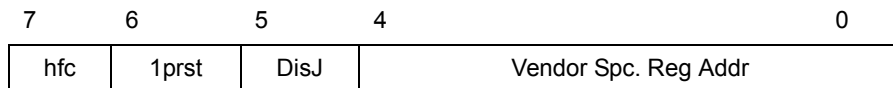
- RLOW and RHIGH form a range for logical ports to be classified with priority specified in RPRIORITY.

- Bit[3:1] • Transmit Priority
- Bits[0]: • Drop Priority

13.7 Group 6 Address MISC Group

13.7.1 MII_OP0 – MII Register Option 0

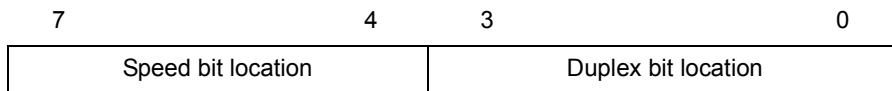
- I²C Address: hF0, CPU Address:h600
- Accessed by serial interface and I²C (R/W)



- Bits [7]: • Half duplex flow control feature
 - 0 = Half duplex flow control always enable
 - 1 = Half duplex flow control by negotiation
- Bits[6]: • Link partner reset auto-negotiate disable
- Bits[5]: • Disable jabber detection. This is for HomePNA application or any serial operation slower than 10Mbps.
 - 1 = disable
 - 0 = enable
- Bit[4:0]: • Vendor specified link status register address (null value means don't use it) (Default 00); used when the Linkup bit position in the PHY is non-standard.

13.7.2 MII_OP1 – MII Register Option 1

- I²C Address: hF1, CPU Address:h601
- Accessed by serial interface and I²C (R/W)

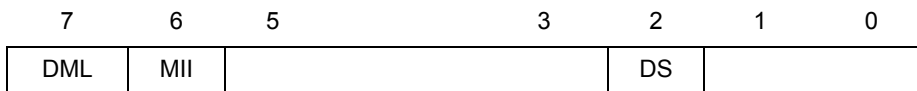


Bits[3:0]: • Duplex bit location in vendor specified register

Bits [7:4]: • Speed bit location in vendor specified register
• (Default 00)

13.7.3 FEN – Feature Register

- I²C Address: hF2, CPU Address: h602
- Accessed by serial interface and I²C (R/W)



Bits [1:0]: • Reserved **(Default 0)**

Bit [2]: • Support DS EF Code. **(Default 0)**
• When 101110 is detected in DS field (TOS [7:2]), the frame priority is set for 110 and drop is set for 0.

Bit [5:3]: • Reserved **(Default 010)**

Bit [6]: • Disable MII Management State Machine
• 0: Enable MII Management State Machine **(Default 0)**
• 1: Disable MII Management State Machine

Bit [7]: • Disable using MCT link list structure
• 0: Enable using MCT Link List structure **(Default 0)**
• 1: Disable using MCT Link List structure

13.7.4 MIIC0 – MII Command Register 0

- CPU Address: h603
- Accessed by serial interface only (R/W)
- Bit [7:0] MII Data [7:0]

Note: Before programming MII command: set FEN[6], check MIIC3, making sure no RDY, and no VALID; then program MII command.

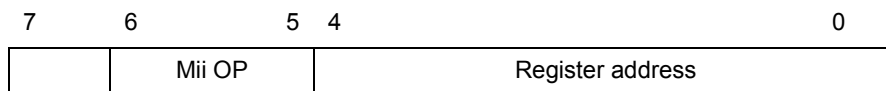
13.7.5 MIIC1 – MII Command Register 1

- CPU Address: h604
- Accessed by serial interface only (R/W)
- Bit [7:0] MII Data [15:8]

Note: Before programming MII command: set FEN[6], check MIIC3, making sure no RDY and no VALID; then program MII command.

13.7.6 MIIC2 – MII Command Register 2

- CPU Address :h605
- Accessed by serial interface only (R/W)

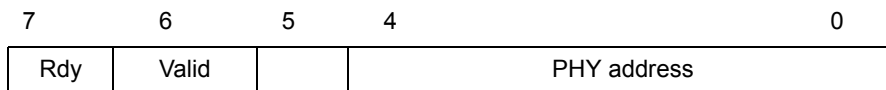


- Bits [4:0]: • REG_AD – Register PHY Address
- Bit [6:5] • OP – Operation code “10” for read command and “01” for write command

Note: Before programming MII command: set FEN[6], check MIIC3, making sure no RDY and no VALID; then program MII command. Writing to this register will initiate a serial management cycle to the MII management interface. For detail information, please refer to the PHY Control Application Note.

13.7.7 MIIC3 – MII Command Register 3

- CPU Address: h606
- Accessed by serial interface only (R/W)



- Bits [4:0]: • PHY_AD – 5 Bit PHY Address
- Bit [6] • VALID – Data Valid from PHY (Read Only)
- Bit [7] • RDY – Data is returned from PHY (Ready Only)

Note: Before programming MII command: set FEN[6], check MIIC3, making sure no RDY and no VALID; then program MII command.

13.7.8 MIID0 – MII Data Register 0

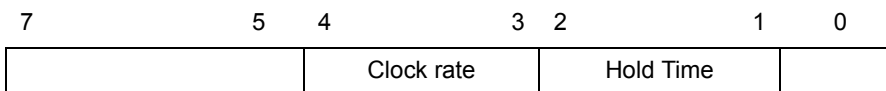
- CPU Address: h607
- Accessed by serial interface only (RO)
- Bit [7:0] MII Data [7:0]

13.7.9 MIID1 – MII Data Register 1

- CPU Address: h608
- Accessed by serial interface only (RO)
- Bit [7:0] MII Data [15:8]

13.7.10 LED Mode – LED Control

- CPU Address: h609
- Accessed by serial interface and I²C (R/W)



- Bit [0] • Reserved (Default 0)
- Bit[2:1]: • Hold time for LED signal (**Default= 00**)
 - 00=8msec 01=16msec
 - 10=32msec 11=64msec
- Bit[4:3]: • LED clock frequency (**Default 0**)
 - For 100MHz SCLK
 - 00=100M/8=12.5 MHz 01=100M/16= 6.25 MHz
 - 10=100M/32=3.125 MHz 11=100M/64=1.5625 MHz
 - For 125MHz SCLK
 - 00=125M/64=1953 KHz 01=125M/128=977KHz
 - 10=125M/512=244 KHz 11=125M/1024=122KHz
- Bit[7:6]: • Reserved. Must be 0. (**Default 0**)

13.7.11 CHECKSUM - EEPROM Checksum

- I²C Address: FF, CPU Address: h60b
- Accessed by serial interface and I²C (R/W)

Bit [7:0]: • (Default 0)

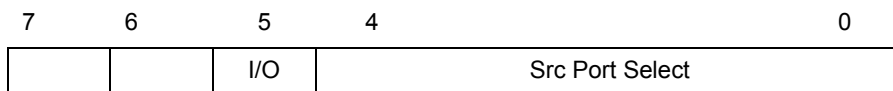
Before requesting that the MVTX2603 updates the EEPROM device, the correct checksum needs to be calculated and written into this checksum register. When the MVTX2603 boots from the EEPROM the checksum is calculated and the value must be zero. If the checksum is not zeroed the MVTX2603 does not start and pin CHECKSUM_OK is set to zero.

The checksum formula is: $\sum I^2C \text{ register} = 0$
 $I=0$

13.8 Group 7 Address Port Mirroring Group

13.8.1 MIRROR1_SRC – Port Mirror source port

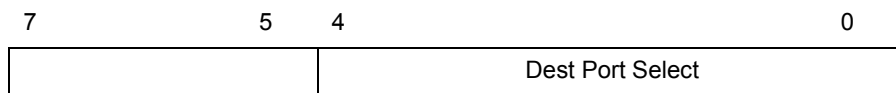
- CPU Address: h700
- Accessed by serial interface (R/W) (Default 7F)



- Bit [4:0]: • Source port to be mirrored. Use illegal port number to disable mirroring
- Bit [5]: • 1 – select ingress data
- 0 – select egress data
- Bit [7]: • Must be ‘1’

13.8.2 MIRROR1_DEST – Port Mirror destination

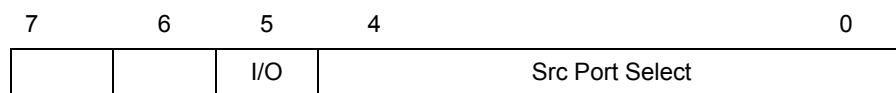
- CPU Address: h701
- Accessed by serial interface (R/W) (Default 17)



Bit [4:0]: • Port Mirror Destination

13.8.3 MIRROR2_SRC – Port Mirror source port

- CPU Address: h702
- Accessed by serial interface (R/W) (Default FF)



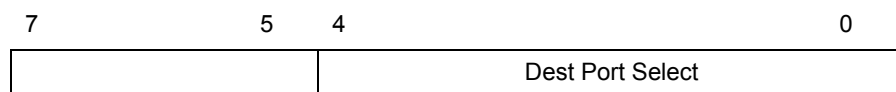
Bit [4:0]: • Source port to be mirrored. Use illegal port number to disable mirroring

Bit [5]: • 1 – select ingress data
 • 0 – select egress data

Bit [7] • Must be 1

13.8.4 MIRROR2_DEST – Port Mirror destination

- CPU Address: h703
- Accessed by serial interface (R/W) (Default 00)

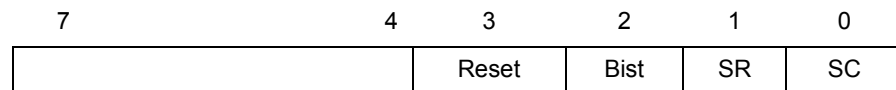


Bit [4:0]: • Port Mirror Destination

13.9 Group F Address CPU Access Group

13.9.1 GCR-Global Control Register

- CPU Address: hF00
- Accessed by serial interface. (R/W)



Bit [0]: • Store configuration (**Default = 0**)
 • Write '1' followed by '0' to store configuration into external EEPROM

Bit[1]: • Store configuration and reset (**Default = 0**)
 • Write '1' to store configuration into external EEPROM and reset chip

- Bit[2]:
 - Start BIST (**Default = 0**)
 - Write '1' followed by '0' to start the device's built-in self-test. The result is found in the DCR register.
- Bit[3]:
 - Soft Reset (Default = 0)
 - Write '1' to reset chip
- Bit[7:4]:
 - Reserved.

13.9.2 DCR-Device Status and Signature Register

- CPU Address: hF01
- Accessed by serial interface. (RO)

7	6	5	4	3	2	1	0
Revision		Signature		RE	BinP	BR	BW

- Bit [0]:
 - 1: Busy writing configuration to I²C
 - 0: Not busy writing configuration to I²C
- Bit[1]:
 - 1: Busy reading configuration from I²C
 - 0: Not busy reading configuration from I²C
- Bit[2]:
 - 1: BIST in progress
 - 0: BIST not running
- Bit[3]:
 - 1: RAM Error
 - 0: RAM OK
- Bit[5:4]:
 - Device Signature
 - 01: MVTX2603 device
- Bit [7:6]:
 - Revision
 - 00: Initial Silicon
 - 01: XA1 Silicon

13.9.3 DCR1-Giga port status

- CPU Address: hF02
- Accessed by serial interface (RO)

7	6	4	3	2	1	0
CIC			GIGA1		GIGA0	

- Bit [1:0]:
 - Giga port 0 strap option
 - 00 – 100Mb MII mode
 - 01 – 2G mode
 - 10 – GMII
 - 11 – PCS

- Bit[3:2]
 - Giga port 1 strap option
 - 00 – 100Mb MII mode
 - 01 – 2G mode
 - 10 – GMII
 - 11 – PCS

- Bit [7]
 - Chip initialization completed

13.9.4 DPST – Device Port Status Register

- CPU Address: hF03
- Accessed by serial interface (R/W)

- Bit[4:0]:
 - Read back index register. This is used for selecting what to read back from DTST. (**Default 00**)
 - 5'b00000 - Port 0 Operating mode and Negotiation status
 - 5'b00001 - Port 1 Operating mode/Neg status
 - 5'b00010 - Port 2 Operating mode/Neg status
 - 5'b00011 - Port 3 Operating mode/Neg status
 - 5'b00100 - Port 4 Operating mode/Neg status
 - 5'b00101 - Port 5 Operating mode/Neg status
 - 5'b00110 - Port 6 Operating mode/Neg status
 - 5'b00111 - Port 7 Operating mode/Neg status
 - 5'b01000 - Port 8 Operating mode/Neg status
 - 5'b01001 - Port 9 Operating mode/Neg status
 - 5'b01010 - Port 10 Operating mode/Neg status
 - 5'b01011 - Port 11 Operating mode/Neg status
 - 5'b01100 - Port 12 Operating mode/Neg status
 - 5'b01101 - Port 13 Operating mode/Neg status
 - 5'b01110 - Port 14 Operating mode/Neg status
 - 5'b01111 - Port 15 Operating mode/Neg status
 - 5'b10000 - Port 16 Operating mode/Neg status
 - 5'b10001 - Port 17 Operating mode/Neg status
 - 5'b10010 - Port 18 Operating mode/Neg status
 - 5'b00011 - Port 19 Operating mode/Neg status
 - 5'b10100 - Port 20 Operating mode/Neg status
 - 5'b10101 - Port 21 Operating mode/Neg status
 - 5'b10110 - Port 22 Operating mode/Neg status
 - 5'b10111 - Port 23 Operating mode/Neg status
 - 5'b11000 - Reserved
 - 5'b11001 - Port 25 Operating mode/Neg status (Gigabit port 1)
 - 5'b11010 - Port 26 Operating mode/Neg status (Gigabit port 2)

13.9.5 DTST – Data read back register

- CPU Address: hF04
- Accessed by serial interface (RO)
- This register provides various internal information as selected in DPST bit[4:0]. Refer to the PHY Control Application Note.

7	6	5	4	3	2	1	0
MD	Info	Sig	Giga	Inkdn	FE	Fdpx	FcEn

When bit is 1

- Bit[0] – Flow control enable
- Bit[1] – Full duplex port
- Bit[2] – Fast Ethernet port (if not gigabit port)
- Bit[3] – Link is down
- Bit[4] – Giga port
- Bit[5] – Signal detect (when PCS interface mode)
- Bit[6] – 2G signal detect (2G mode only)
- Bit[7] – Module detected (for hot swap purpose)

13.9.6 PLLCR - PLL Control Register

- CPU Address: hF05
- Accessed by serial interface (RW)

Bit[3] Must be '1'

Bit[7] Selects strap option or LCLK/OECLK registers

0 - Strap option (default)

1 - LCLK/OECLK registers

13.9.7 LCLK - LA_CLK delay from internal OE_CLK

- CPU Address: hF06
- Accessed by serial interface (RW)

PD[12:10]	LCLK	Delay
000b	80h	8 Buffers Delay
001b	40h	7 Buffers Delay
010b	20h	6 Buffers Delay
011b	10h	5 Buffers Delay (Recommend)
100b	08h	4 Buffers Delay
101b	04h	3 Buffers Delay
110b	02h	2 Buffers Delay
111b	01h	1 Buffers Delay

The LCLK delay from SCLK is the sum of the delay programmed in here and the delay in OECLK register.

13.9.8 OECLK - Internal OE_CLK delay from SCLK

- CPU Address: hF07
- Accessed by serial interface (RW)

The OE_CLK is used for generating the OE0 and OE1 signals.

PD[15:13]	OECLK	Delay
000b	80h	8 Buffers Delay
001b	40h	7 Buffers Delay (Recommend)
010b	20h	6 Buffers Delay
011b	10h	5 Buffers Delay
100b	08h	4 Buffers Delay
101b	04h	3 Buffers Delay
110b	02h	2 Buffers Delay
111b	01h	1 Buffers Delay

13.9.9 DA – DA Register

- CPU Address: hFFF
- Accessed by CPU and serial interface (RO)
- Always return 8'h **DA**. Indicate the serial port connection is good.

13.10 TBI Registers

Two sets of TBI registers are used for configure the two Gigabit ports if they are operating in TBI mode. These TBI registers are located inside the switching chip and they are accessed through the MII command and MII data registers.

13.10.1 Control Register

- MII Address: h00
- Read/Write

Bit [15]	Reset PCS logic and all TBI registers 1 = Reset. 0 = Normal operation.
Bit [14]	Reserved. Must be programmed with "0".
Bit [13]	Speed selection (See bit 6 for complete details)
Bit [12]	<ul style="list-style-type: none"> • Auto Negotiation Enable • 1 = Enable auto-negotiation process. • 0 = Disable auto-negotiation process (Default).
Bit [11:10]	<ul style="list-style-type: none"> • Reserved. Must be programmed with "0"
Bit [9]	<ul style="list-style-type: none"> • Restart Auto Negotiation. • 1 = Restart auto-negotiation process. • 0 = Normal operation (Default).
Bit [8:7]	<ul style="list-style-type: none"> • Reserved.

- Bit [6]
 - Speed Selection
 - Bit[6][13]
 - 1 1 = Reserved
 - 0 =1000Mb/s (Default)
 - 1 =100Mb/s
 - 0 0 =10Mb/s
- Bit [5:0]
 - Reserved. Must be programmed with “0”.

13.10.2 Status Register

- MII Address: h01
- Read Only

- Bit [15:9] Reserved. Always read back as “0”.
- Bit [8] Reserved. Always read back as “1”.
- Bit [7:6] Reserved. Always read back as “0”.
- Bit [5]
 - Auto-Negotiation Complete
 - 1 = Auto-negotiation process completed.
 - 0 = Auto-negotiation process not completed.
- Bit [4]
 - Reserved. Always read back as “0”
- Bit [3]
 - Reserved. Always read back as “1”
- Bit [2]
 - Link Status
 - 1 = Link is up.
 - 0 = Link is down.
- Bit [1]
 - Reserved. Always read back as “0”.
- Bit [0]
 - Reserved. Always read back as “1”.

13.10.3 Advertisement Register

- MII Address: h04
- Read/Write

- Bit [15] Next Page
 - 1 = Has next page capabilities.
 - 0 = Do not has next page capabilities (Default).
- Bit [14] Reserved. Always read back as “0”. Read Only.
- Bit [13:12] Remote Fault. Default is “0”.
- Bit [11:9]
 - Reserved. Always read back as “0”. Read Only.
- Bit [8:7]
 - Pause. Default is “00”
- Bit [6]
 - Half Duplex
 - 1 = Support half duplex (Default).
 - 0 = Do not support half duplex.

- Bit [5]
 - Full duplex
 - 1 = Support full duplex (Default).
 - 0 = Do not support full duplex.
- Bit [4:0]
 - Reserved. Always read back as “0”. Read Only.

13.10.4 Link Partner Ability Register

- MII Address: h05
- Read Only

- Bit [15]
 - Next Page
 - 1 = Has next page capabilities.
 - 0 = Do not has next page capabilities.
- Bit [14]
 - Acknowledge
- Bit [13:12]
 - Remote Fault.
- Bit [11:9]
 - Reserved. Always read back as “0”.
- Bit [8:7]
 - Pause.
- Bit [6]
 - Half Duplex
 - 1 = Support half duplex.
 - 0 = Do not support half duplex.
- Bit [5]
 - Full duplex
 - 1 = Support full duplex.
 - 0 = Do not support full duplex.
- Bit [4:0]
 - Reserved. Always read back as “0”.

13.10.5 Expansion Register

- MII Address: h06
- Read Only

- Bit [15:2]
 - Reserved. Always read back as “0”.
- Bit [1]
 - Page Received.
 - 1 = A new page has been received.
 - 0 = A new page has not been received.
- Bit [0]
 - Reserved. Always read back as “0”.

13.10.6 Extended Status Register

- MII Address: h15
- Read Only

- | | |
|------------|---|
| Bit [15] | <ul style="list-style-type: none">• 1000 Full Duplex• 1 = Support 1000 full duplex operation (Default).• 0 = Do not support 1000 full duplex operation. |
| Bit [14] | <ul style="list-style-type: none">• 1000 Half Duplex• 1 = Support 1000 half duplex operation (Default).• 0 = Do not support 1000 half duplex operation. |
| Bit [13:0] | <ul style="list-style-type: none">• Reserved. Always read back as "0". |

14.0 BGA and Ball Signal Descriptions

14.1 BGA Views (Top-View)

14.1.1 Encapsulated View

	1	2	3	4	5	6	7	8	9	10	11	12	13	14	15	16	17	18	19	20	21	22	23	24	25	26	27	28	29			
A			LA_D4	LA_D7	LA_D10	LA_D13	LA_D15	LA_D4	LA_OE0	LA_A8	LA_A13	LA_A16	LA_A19	LA_A33	LA_D36	LA_D39	LA_D42	LA_D45	OE_CLK0	LA_CLK0	TRUNK1	MIRROR4	MIRROR1	SCL	SDA	STROBE	TSTOUT7					
B	LA_D1	LA_D3	LA_D6	LA_D9	LA_D12	LA_D14	LA_D14	LA_DSC	LA_OE1	LA_A7	LA_A12	LA_A15	LA_A18	LA_A32	LA_D35	LA_D38	LA_D41	LA_D44	OE_CLK1	LA_CLK1	LA_D62	MIRROR5	MIRROR2	TRUNK2	RESEVED	D0	TSTOUT8	TSTOUT3				
C	LA_CLK	LA_D2	LA_D5	LA_D8	LA_D11	LA_A3	LA_OE2	LA_WDE	LA_MOE1	LA_A11	LA_A14	LA_A17	LA_A20	LA_D34	LA_D37	LA_D40	LA_D43	OE_CLK2	LA_CLK2	P_D	TRUNK0	MIRROR3	MIRROR0	AUTOFD	TSTOUT9	TSTOUT4	TSTOUT0					
D	AGND	LA_D17	LA_D19	LA_D21	LA_D23	LA_D25	LA_D27	LA_D29	LA_D31	LA_A6	LA_A10	LA_OE3	LA_WDE1	LA_D49	LA_D51	LA_D53	LA_D55	LA_D57	LA_D59	LA_D61	LA_D63	LA_D47	SCANCOL	SCANCLK	TSTOUT14	TSTOUT13	TSTOUT5	TSTOUT1				
E	SCLK	LA_D16	LA_D18	LA_D20	LA_D22	LA_D24	LA_D26	LA_D28	LA_D30	LA_A5	LA_A9	LA_OE4	LA_WDE2	LA_D48	LA_D50	LA_D52	LA_D54	LA_D56	LA_D58	LA_D60	RESEVED	LA_D46	SCANLINK	TSTOUT15	M26TXER	M26TXER	SCANMODE	TSTOUT2				
F	AVC	RESN	SCAN	LB_D63	LB_D62									VDD33	VDD33	VDD33	VDD33	VDD33								M26TXCK	M26TXEN	M26TXD1	M26TXD2			
G	LB_CLK	RESE	TOUT	LB_D47	LB_D61	LB_D60																				M26TXD4	M26TXD5	M26TXD3	M26TXD2	M26COL		
H	LB_D46	LB_D45	LB_D44	LB_D59	LB_D58																					M26TXD1	M26TXD2	M26TXD3	M26TXD4	M26TXD5		
J	LB_D43	LB_D42	LB_D41	LB_D57	LB_D56																					M26TXD0	M26TXD1	M26TXD2	M26TXD3	M26TXD4		
K	LB_D40	LB_D39	LB_D38	LB_D55	LB_D54									VDD	VDD											M26TXD9	M26TXD8	M26TXD7	M26TXD6	M26TXD5		
L	LB_D37	LB_D36	LB_D35	LB_D53	LB_D52																					M26TXD4	M26TXD3	M26TXD2	M26TXD1	M26TXD0		
M	LB_D34	LB_D33	LB_D32	LB_D51	LB_D50									VDD												M26TXD7	M26TXD6	M26TXD5	M26TXD4	M26TXD3		
N	LB_A18	LB_A19	LB_A20	LB_D49	LB_D48	VDD33								VDD												VDD33	M26TXD2	M26TXD1		REFCLK0		
P	LB_A15	LB_A16	LB_A17	LB_WE0	LB_WE1	VDD33																				VDD33	M26TXD0	M26TXD1		REFCLK0		
R	LB_A10	LB_A11	LB_A12	LB_A13	LB_A14	VDD33																				VDD33	M25CRS	M25TXER		MDC		
T	LB_A5	LB_A6	LB_A7	LB_A8	LB_A9	VDD33																				VDD33	M25TXCK	M25TXEN	M25TXD1	M25TXD2		
U	LB_OE0	LB_OE1	LB_MOE0	LB_D31	LB_D30	VDD33																				VDD33	M25TXD1	M25TXD2	M25TXD3	M25TXD4		
V	LB_A0	LB_A1	LB_WE0	LB_D29	LB_D28									VDD													M25TXD1	M25TXD2	M25TXD3	M25TXD4		
W	LB_D15	LB_A3	LB_A4	LB_D27	LB_D26																						M25TXD0	M25TXD1	M25TXD2	M25TXD3		
Y	LB_D14	LB_D13	LB_D12	LB_D25	LB_D24									VDD	VDD												M25RXD6	M25RXD8	M25RXD7	M25RXD5		
AA	LB_D11	LB_D10	LB_D9	LB_D23	LB_D22																						M25TXD6	M25TXD7	M25TXD3	M25TXD4		
AB	LB_D8	LB_D7	LB_D6	LB_D21	LB_D20																						M25TXD4	M25TXD5	M25TXD0	M25TXD1		
AC	LB_D5	LB_D4	LB_D3	LB_D19	LB_D18																						M25TXD2	M25TXD3	M23CRS	M23RXD0		
AD	LB_D2	LB_D1	LB_D0	LB_D17	LB_D16									VDD33	VDD33	VDD33	VDD33	VDD33									M25TXD0	M25TXD1	M23TXD0	M23TXEN		
AE	M0_TXEN	M0_TXD0	M0_TXD1	M3_TXEN	M3_TXD0	M5_TXD1	M5_TXEN	M5_TXD0	M8_TXD1	M8_TXEN	M8_TXD0	M8_TXD1	M10_TXD1	M10_TXEN	M10_RXD0	M13_TXD1	M13_TXEN	M13_TXD0	M15_TXD1	M15_TXEN	M15_RXD0	M18_TXD1	M18_TXEN	M18_RXD0	M20_TXD1	M20_TXEN	M20_RXD0	M22_TXD1	M22_TXEN			
AF	M0_RXD1	M0_RXD0	M0_RS	M3_TXD0	M3_RS	M3_TXD1	M5_TXD0	M5_RS	M5_TXD1	M8_TXD0	M8_RS	M8_TXD1	M10_TXD0	M10_CR	M10_RXD1	M13_TXD0	M13_CR	M13_TXD1	M14_TXD0	M14_CR	M14_RXD1	M16_RXD0	M15_RXD1	M17_RXD0	M17_CR	M18_RXD1	M18_CR	M19_TXD1	M19_CR	M20_CR	M20_RXD1	M22_CR
AG	M1_TXEN	M1_TXD1	M1_TXD0	M2_TXD1	M2_RS	M4_TXD1	M4_RS	M6_TXD1	M6_C	M7_TXD1	M7_RS	M9_TXD1	M9_C	M11_TXD1	M11_CR	M11_RXD0	M12_TXD1	M12_CR	M14_TXD1	M15_TXD0	M16_TXD1	M16_CR	M18_TXD0	M18_CR	M19_TXD0	M19_CR	M21_TXD1	M21_CR	M22_TXD0	M22_TXD1	M22_TXD0	
AH		M1_RXD1	M1_CR	M2_TXD0	M2_TXD1	M4_TXD0	M4_RXD1	M6_TXD0	M6_RXD1	M7_TXD0	M7_RXD1	M9_TXD0	M9_RXD1	M11_TXD0	M11_CR	M11_RXD0	M12_TXD0	M12_RXD1	M14_TXD0	M14_RXD1	M13_TXD0	M13_CR	M17_TXD0	M17_RXD1	M19_TXD0	M19_RXD1	M21_TXD0	M21_RXD1	M22_TXD0	M22_TXD1	M22_TXD0	
AJ																																

Figure 18 - BGA View

14.1.2 Power and Ground Distribution

The following figure provides an encapsulated view of the power and ground distribution

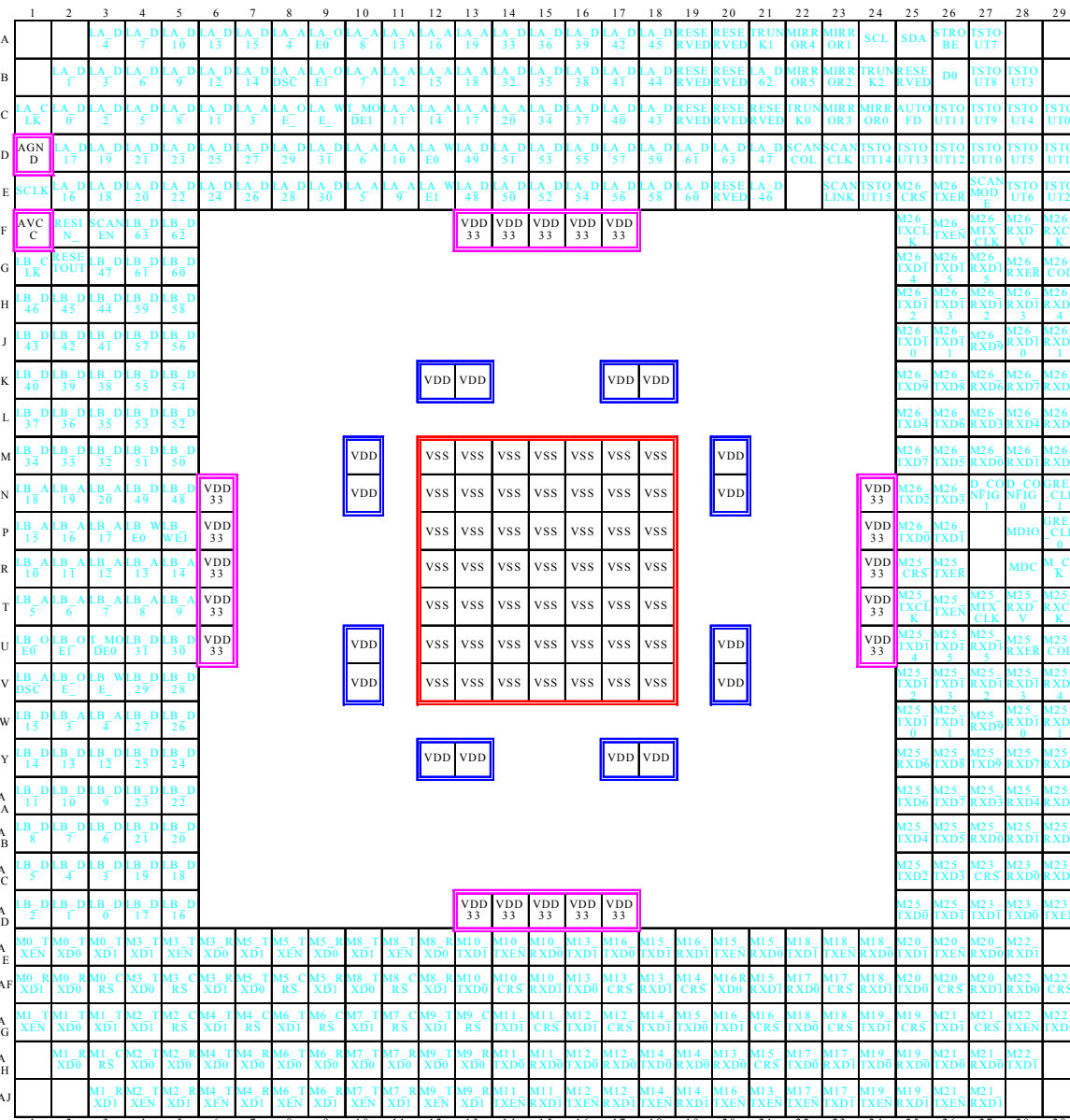


Figure 19 - Power and Ground Distribution View

14.2 Ball – Signal Descriptions

All pins are CMOS type; all Input Pins are 5 Volt tolerance; and all Output Pins are 3.3 CMOS drive.

14.2.1 Ball Signal Descriptions

Ball Signal Descriptions Table

Ball No(s)	Symbol	I/O	Description
I²C Interface Note: Use I²C and Serial control interface to configure the system			
A24	SCL	Output	I ² C Data Clock
A25	SDA	I/O-TS with pull up	I ² C Data I/O
Serial Control Interface			
A26	STROBE	Input with weak internal pull up	Serial Strobe Pin
B26	D0	Input	Serial Data Input
C25	AUTOFD	Output with pull up	Serial Data Output (AutoFD)
Frame Buffer Interface			
D20, B21, D19, E19,D18, E18, D17, E17, D16, E16, D15, E15, D14, E14, D13, E13, D21, E21, A18, B18, C18, A17, B17, C17, A16, B16, C16, A15, B15, C15, A14, B14, D9, E9, D8, E8, D7, E7, D6, E6, D5, E5, D4, E4, D3, E3, D2, E2, A7, B7, A6, B6, C6, A5, B5, C5, A4, B4, C4, A3, B3, C3, B2, C2	LA_D[63:0]	I/O-TS with pull up	Frame Bank A– Data Bit [63:0]
C14, A13, B13, C13, A12, B12, C12, A11, B11, C11, D11, E11, A10, B10, D10, E10, A8, C7	LA_A[20:3]	Output	Frame Bank A – Address Bit [20:3]
B8	LA_ADSC#	Output with pull up	Frame Bank A Address Status Control
C1	LA_CLK	Output	Frame Bank A Clock Input
C9	LA_WE#	Output with pull up	Frame Bank A Write Chip Select for one layer SRAM application
D12	LA_WE0#	Output with pull up	Frame Bank A Write Chip Select for lower layer of two layers SRAM application
E12	LA_WE1#	Output with pull up	Frame Bank A Write Chip Select for upper layer of two layers SRAM application
C8	LA_OE#	Output with pull up	Frame Bank A Read Chip Select for one layer SRAM application

Ball Signal Descriptions Table (continued)

A9	LA_OE0#	Output with pull up	Frame Bank A Read Chip Select for lower layer of two layers SRAM application
B9	LA_OE1#	Output with pull up	Frame Bank A Read Chip Select for upper layer of two layers SRAM application
F4, F5, G4, G5, H4, H5, J4, J5, K4, K5, L4, L5, M4, M5, N4, N5, G3, H1, H2, H3, J1, J2, J3, K1, K2, K3, L1, L2, L3, M1, M2, M3, U4, U5, V4, V5, W4, W5, Y4, Y5, AA4, AA5, AB4, AB5, AC4, AC5, AD4, AD5, W1, Y1, Y2, Y3, AA1, AA2, AA3, AB1, AB2, AB3, AC1, AC2, AC3, AD1, AD2, AD3	LB_D[63:0]	I/O-TS with pull up.	Frame Bank B– Data Bit [63:0]
N3, N2, N1, P3, P2, P1, R5, R4, R3, R2, R1, T5, T4, T3, T2, T1, W3, W2	LB_A[20:3]	Output	Frame Bank B – Address Bit [20:3]
V1	LB_ADSC#	Output with pull up	Frame Bank B Address Status Control
G1	LB_CLK	Output	Frame Bank B Clock Input
V3	LB_WE#	Output with pull up	Frame Bank B Write Chip Select for one layer SRAM application
P4	LB_WE0#	Output with pull up	Frame Bank B Write Chip Select for lower layer of two layers SRAM application
P5	LB_WE1#	Output with pull up	Frame Bank B Write Chip Select for upper layer of two layers SRAM application
V2	LB_OE#	Output with pull up	Frame Bank B Read Chip Select for one layer SRAM application
U1	LB_OE0#	Output with pull up	Frame Bank B Write Chip Select for lower layer of two layers SRAM application
U2	LB_OE1#	Output with pull up	Frame Bank B Write Chip Select for upper layer of two layers SRAM application
Fast Ethernet Access Ports [23:0] RMI			
R28	M_MDC	Output	MII Management Data Clock – (Common for all MII Ports [23:0])
P28	M_MDIO	I/O-TS with pull up	MII Management Data I/O – (Common for all MII Ports –[23:0])
R29	M_CLKI	Input	Reference Input Clock

Ball Signal Descriptions Table (continued)

AC29, AE28, AJ27, AF27, AJ25, AF24, AH23, AE19, AF21, AJ19, AF18, AJ17, AJ15, AF15, AJ13, AF12, AJ11, AJ9, AF9, AJ7, AF6, AJ5, AJ3, AF1	M[23:0]_RXD[1]	Input with weak internal pull up resistors.	Ports [23:0] – Receive Data Bit [1]
AC28, AF28, AH27, AE27, AH25, AE24, AF22, AF20, AE21, AH19, AH20, AH17, AH15, AE15, AH13, AE12, AH11, AH9, AE9, AH7, AE6, AH5, AH2, AF2	M[23:0]_RXD[0]	Input with weak internal pull up resistors	Ports [23:0] – Receive Data Bit [0]
AC27, AF29, AG27, AF26, AG25, AG23, AF23, AG21, AH21, AF19, AF17, AG17, AG15, AF14, AG13, AF11, AG11, AG9, AF8, AG7, AF5, AG5, AH3, AF3	M[23:0]_CRS_DV	Input with weak internal pull down resistors.	Ports [23:0] – Carrier Sense and Receive Data Valid
AD29, AG28, AJ26, AE26, AJ24, AE23, AJ22, AJ20, AE20, AJ18, AJ21, AJ16, AJ14, AE14, AJ12, AE11, AJ10, AJ8, AE8, AJ6, AE5, AJ4, AG1, AE1	M[23:0]_TXEN	I/O- TS with pull up, slew	Ports [23:0] – Transmit Enable Strap option for RMII/GPSI
AD27, AH28, AG26, AE25, AG24, AE22, AJ23, AG20, AE18, AG18, AE16, AG16, AG14, AE13, AG12, AE10, AG10, AG8, AE7, AG6, AE4, AG4, AG3, AE3	M[23:0]_TXD[1]	Output, slew	Ports [23:0] – Transmit Data Bit [1]
AD28, AG29, AH26, AF25, AH24, AG22, AH22, AE17, AG19, AH18, AF16, AH16, AH14, AF13, AH12, AF10, AH10, AH8, AF7, AH6, AF4, AH4, AG2, AE2	M[23:0]_TXD[0]	Output, slew	Ports [23:0] – Transmit Data Bit [0]
GMII/TBI Gigabit Ethernet Access Ports 0 & 1			
U26, U25, V26, V25, W26, W25, Y27, Y26, AA26, AA25, AB26, AB25, AC26, AC25, AD26, AD25	M25_TXD[15:0]	Output	Transmit Data Bit [15:0] [7:0] - GMII [9:0] - TBI [15:0] - 2G
T28	M25_RX_DV	Input w/ pull down	Receive Data Valid
U28	M25_RX_ER	Input w/ pull up	Receive Error
R25	M25_CRSS	Input w/ pull down	Carrier Sense
U29	M25_COL	Input w/ pull up	Collision Detected
T29	M25_RXCLK	Input w/ pull up	Receive Clock

Ball Signal Descriptions Table (continued)

U27, V29, V28, V27, W29, W28, W27, Y29, Y28, Y25, AA29, AA28, AA27, AB29, AB28, AB27	M25_RXD[15:0]	Input w/ pull up	Receive Data Bit [15:0] [7:0] - GMII [9:0] - TBI [15:0] - 2G
T26	M25_TX_EN	Output w/ pull up	Transmit Data Enable
R26	M25_TX_ER	Output w/ pull up	Transmit Error
T25	M25_TXCLK	Output	Gigabit Transmit Clock
P29	GREF_CLK0	Input w/ pull up	Gigabit Reference Clock
G26, G25, H26, H25, J26, J25, K25, K26, M25, L26, M26, L25, N26, N25, P26, P25	M26_TXD[15:0]	Output	Transmit Data Bit [15:0] [7:0] - GMII [9:0] - TBI [15:0] - 2G
F28	M26_RX_DV	Input w/ pull down	Receive Data Valid
G28	M26_RX_ER	Input w/ pull up	Receive Error
E25	M26_CRS	Input w/ pull down	Carrier Sense
G29	M26_COL	Input w/ pull up	Collision Detected
F29	M26_RXCLK	Input w/ pull up	Receive Clock
G27, H29, H28, H27, J29, J28, J27, K29, K28, K27, L29, L28, L27, M29, M28, M27	M26_RXD[15:0]	Input w/ pull up	Receive Data Bit [15:0] [7:0] - GMII [9:0] - TBI [15:0] - 2G
F26	M26_TX_EN	Output w/ pull up	Transmit Data Enable
E26	M26_TX_ER	Output w/ pull up	Transmit Error
F25	M26_TXCLK	Output	Gigabit Transmit Clock
N29	GREF_CLK1	Input w/ pull up	Gigabit Reference Clock
LED Interface			
C29	LED_CLK/TSTOU T0	I/O- TS with pull up	LED Serial Interface Output Clock
D29	LED_SYN/TSTO UT1	I/O- TS with pull up	LED Output Data Stream Envelope
E29	LED_BIT/TSTOU T2	I/O- TS with pull up	LED Serial Data Output Stream
B28	G1_RXTX#/TSTO UT3	I/O- TS with pull up	LED for Gigabit port 1 (receive + transmit)
C28	G1_DPCOL#/TST OUT4	I/O- TS with pull up	LED for Gigabit port 1 (full duplex + collision)

Ball Signal Descriptions Table (continued)

D28	G1_LINK#/TSTO UT5	I/O- TS with pull up	LED for Gigabit port 1
E28	G2_RXTX#/TSTO UT6	I/O- TS with pull up	LED for Gigabit port 2 (receive + transmit)
A27	G2_DPCOL#/TST OUT7	I/O- TS with pull up	LED for Gigabit port 2 (full duplex + collision)
B27	G2_LINK#/TSTO UT8	I/O- TS with pull up	LED for Gigabit port 2
C27	INIT_DONE/TST OUT9	I/O- TS with pull up	System start operation
D27	INIT_START/TST OUT10	I/O- TS with pull up	Start initialization
C26	CHECKSUM_OK/ TSTOUT11	I/O- TS with pull up	EEPROM read OK
D26	FCB_ERR/TSTO UT12	I/O- TS with pull up	FCB memory self test fail
D25	MCT_ERR/TSTO UT13	I/O- TS with pull up	MCT memory self test fail
D24	BIST_IN_PRC/TS TOUT14	I/O- TS with pull up	Processing memory self test
E24	BIST_DONE/TST OUT15	I/O- TS with pull up	Memory self test done
Trunk Enable			
C22	TRUNK0	Input w/ weak internal pull down resistors	Trunk Port Enable
A21	TRUNK1	Input w/ weak internal pull down resistors	Trunk Port Enable
B24	TRUNK2	Input w/ weak internal pull down resistors	Trunk Port Enable
Test Facility			
U3	T_MODE0	I/O-TS	Test Pin – Set Mode upon Reset, and provides NAND Tree test output during test mode (Pull Up)

Ball Signal Descriptions Table (continued)

C10	T_MODE1	I/O-TS	<p>Test Pin – Set Mode upon Reset, and provides NAND Tree test output during test mode (Pull Up)</p> <table border="1"> <thead> <tr> <th>T_MODE1</th> <th>T_MODE0</th> <th></th> </tr> </thead> <tbody> <tr> <td>0</td> <td>0</td> <td>NandTree</td> </tr> <tr> <td>0</td> <td>1</td> <td>Reserved</td> </tr> <tr> <td>1</td> <td>0</td> <td>Reserved</td> </tr> <tr> <td>1</td> <td>1</td> <td>Regular operation</td> </tr> </tbody> </table> <p>T_MODE0 and T_MODE1 are used for manufacturing tests. The signals should both be set to 1 for regular operation.</p>	T_MODE1	T_MODE0		0	0	NandTree	0	1	Reserved	1	0	Reserved	1	1	Regular operation
T_MODE1	T_MODE0																	
0	0	NandTree																
0	1	Reserved																
1	0	Reserved																
1	1	Regular operation																
F3	SCAN_EN	Input with pull down	<p>Scan Enable</p> <p>0 - Normal mode (unconnected)</p>															
E27	SCANMODE	Input with pull down	<p>1 - Enables Test mode.</p> <p>0 - Normal mode (unconnected)</p>															
System Clock, Power, and Ground Pins																		
E1	SCLK	Input	System Clock at 100 MHz															
K12, K13, K17,K18 M10, N10, M20, N20, U10, V10, U20, V20, Y12, Y13, Y17, Y18	VDD	Power	+2.5 Volt DC Supply															
F13, F14, F15, F16, F17, N6, P6, R6, T6, U6, N24, P24, R24, T24, U24, AD13, AD14, AD15, AD16, AD17	VDD33	Power	+3.3 Volt DC Supply															
M12, M13, M14, M15, M16, M17, M18, N12, N13, N14, N15, N16, N17, N18, P12, P13, P14, P15, P16, P17, P18, R12, R13, R14, R15, R16, R17, R18, T12, T13, T14, T15, T16, T17, T18, U12, U13, U14, U15, U16, U17, U18, V12, V13, V14, V15, V16, V17, V18,	VSS	Power Ground	Ground															
F1	AVCC	Analog Power	Analog +2.5 Volt DC Supply															
D1	AGND	Analog Ground	Analog Ground															
MISC																		
D22	SCANCOL	Input	Scans the Collision signal of Home PHY															
D23	SCANCLK	Input/ output	Clock for scanning Home PHY collision and link															

Ball Signal Descriptions Table (continued)

E23	SCANLINK	Input	Link up signal from Home PHY
F2	RESIN#	Input	Reset Input
G2	RESETOUT_	Output	Reset PHY
E20, B25	Reserved	I/O-TS	Reserved Pins. Leave unconnected.
Bootstrap Pins (Default= pull up, 1= pull up 0= pull down) After reset TSTOUT0 to TSTOUT15 are used by the LED interface.			
C29	TSTOUT0	Default: Active High (1)	GIGA Link polarity 0 - Active low 1 - Active high
D29	TSTOUT1	Default: Enable (1)	RMII MAC Power Saving Enable 0 - No power saving 1 - Power saving
E29	TSTOUT2	Default: Enable (1) Recommend disable (0) with pull-down	Giga Half Duplex Support 0 - Disable 1 - Enable
C28, B28	TSTOUT[4:3]		Reserved
C28	TSTOUT4	Default: SBRAM (1)	Memory is SBRAM/ZBT 0 - ZBT 1 - Pipeline SBRAM
D28	TSTOUT5	Default: SCLK (1)	Scan Speed 0 - ¼ SCLK(HPNA) 1 - SCLK
E28	TSTOUT6		Reserved
A27	TSTOUT7	Default: 128K x 32 or 128K x 64 (1)	Memory Size 0 - 256K x 32 or 256K x 64 (4M total) 1 - 128K x 32 or 128K x 64 (2M total)
B27	TSTOUT8	Default: Not Installed (1)	EEPROM Installed 0 - EEPROM installed 1 - EEPROM not installed
C27	TSTOUT9	Default: MCT aging enable (1)	MCT Aging 0 - MCT aging disable 1 - MCT aging enable

Ball Signal Descriptions Table (continued)

D27	TSTOUT10	Default: FCB aging enable (1)	FCB Aging 0 - FCB aging disable 1 - FCB aging enable												
C26	TSTOUT11	Default: Timeout reset enable (1)	Timeout Reset 0 - Time out reset disable 1 - Time out reset enable. Issue reset if any state machine did not go back to idle for 5 Sec.												
D26	TSTOUT12	Default: Normal (1)	Test Speed Up 0 - Enable test speed up. Do not use. 1 - Disable test speed up												
D25	TSTOUT13	Default: Single depth (1)	FDB RAM depth (1 or 2 layers) 0 - Two layers 1 - One layer												
D24	TSTOUT14		Reserved.												
E24	TSTOUT15	Default: Normal operation	SRAM Test Mode 0 - Enable test mode 1 - Normal operation												
T26, R26	G0_TXEN, G0_TXER	Default: PCS	Giga0 Mode: G0_TXEN G0_TXER <table style="margin-left: 40px;"> <tr><td>0</td><td>0</td><td>MII</td></tr> <tr><td>0</td><td>1</td><td>2G</td></tr> <tr><td>1</td><td>0</td><td>GMII</td></tr> <tr><td>1</td><td>1</td><td>PCS</td></tr> </table>	0	0	MII	0	1	2G	1	0	GMII	1	1	PCS
0	0	MII													
0	1	2G													
1	0	GMII													
1	1	PCS													
F26, E26	G1_TXEN, G1_TXER	Default: PCS	Giga1 Mode: G1_TXEN G1_TXER <table style="margin-left: 40px;"> <tr><td>0</td><td>0</td><td>MII</td></tr> <tr><td>0</td><td>1</td><td>2G</td></tr> <tr><td>1</td><td>0</td><td>GMII</td></tr> <tr><td>1</td><td>1</td><td>PCS</td></tr> </table>	0	0	MII	0	1	2G	1	0	GMII	1	1	PCS
0	0	MII													
0	1	2G													
1	0	GMII													
1	1	PCS													
AD29, AG28, AJ26, AE26, AJ24, AE23, AJ22, AJ20, AE20, AJ18, AJ21, AJ16, AJ14, AE14, AJ12, AE11, AJ10, AJ8, AE8, AJ6, AE5, AJ4, AG1, AE1,	M[23:0]_TXEN	Default: RMII	0 – GPSI 1 - RMII												
C21	P_D	Must be pulled-down	Reserved. Must be pulled-down.												
C19, B19, A19	OE_CLK[2:0]	Default: 111	Programmable delay for internal OE_CLK from SCLK input. The OE_CLK is used for generating the OE0 and OE1 signals Suggested value is 001.												

Ball Signal Descriptions Table (continued)

C20, B20, A20	LA_CLK[2:0]	Default: 111	Programmable delay for LA_CLK and LB_CLK from internal OE_CLK. The LA_CLK and LB_CLK delay from SCLK is the sum of the delay programmed in here and the delay in P_D[15:13]. Suggested value is 011.
B22, A22, C23, B23, A23, C24	MIRROR[5:0]	Default: 111111	Dedicated Port Mirror Mode. The first 5 bits select the port to be mirrored. The last bit selects either ingress or egress data.

Notes:

- # = Active low signal
- Input = Input signal
- In-ST = Input signal with Schmitt-Trigger
- Output = Output signal (Tri-State driver)
- Out-OD= Output signal with Open-Drain driver
- I/O-TS = Input & Output signal with Tri-State driver
- I/O-OD = Input & Output signal with Open-Drain driver

14.3 Ball – Signal Name**Ball – Signal Name Table**

Ball No.	Signal Name	Ball No.	Signal Name	Ball No.	Signal Name
D20	LA_D[63]	D3	LA_D[19]	A9	LA_OE0#
B21	LA_D[62]	E3	LA_D[18]	B9	LA_OE1#
D19	LA_D[61]	D2	LA_D[17]	F4	LB_D[63]
E19	LA_D[60]	E2	LA_D[16]	F5	LB_D[62]
D18	LA_D[59]	A7	LA_D[15]	G4	LB_D[61]
E18	LA_D[58]	B7	LA_D[14]	G5	LB_D[60]
D17	LA_D[57]	A6	LA_D[13]	H4	LB_D[59]
E17	LA_D[56]	B6	LA_D[12]	H5	LB_D[58]
D16	LA_D[55]	C6	LA_D[11]	J4	LB_D[57]
E16	LA_D[54]	A5	LA_D[10]	J5	LB_D[56]
D15	LA_D[53]	B5	LA_D[9]	K4	LB_D[55]
E15	LA_D[52]	C5	LA_D[8]	K5	LB_D[54]

Ball – Signal Name Table (continued)

Ball No.	Signal Name	Ball No.	Signal Name	Ball No.	Signal Name
D14	LA_D[51]	A4	LA_D[7]	L4	LB_D[53]
E14	LA_D[50]	B4	LA_D[6]	L5	LB_D[52]
D13	LA_D[49]	C4	LA_D[5]	M4	LB_D[51]
E13	LA_D[48]	A3	LA_D[4]	M5	LB_D[50]
D21	LA_D[47]	B3	LA_D[3]	N4	LB_D[49]
E21	LA_D[46]	C3	LA_D[2]	N5	LB_D[48]
A18	LA_D[45]	B2	LA_D[1]	G3	LB_D[47]
B18	LA_D[44]	C2	LA_D[0]	H1	LB_D[46]
C18	LA_D[43]	C14	LA_A[20]	H2	LB_D[45]
A17	LA_D[42]	A13	LA_A[19]	H3	LB_D[44]
B17	LA_D[41]	B13	LA_A[18]	J1	LB_D[43]
C17	LA_D[40]	C13	LA_A[17]	J2	LB_D[42]
A16	LA_D[39]	A12	LA_A[16]	J3	LB_D[41]
B16	LA_D[38]	B12	LA_A[15]	K1	LB_D[40]
C16	LA_D[37]	C12	LA_A[14]	K2	LB_D[39]
A15	LA_D[36]	A11	LA_A[13]	K3	LB_D[38]
B15	LA_D[35]	B11	LA_A[12]	L1	LB_D[37]
C15	LA_D[34]	C11	LA_A[11]	L2	LB_D[36]
A14	LA_D[33]	D11	LA_A[10]	L3	LB_D[35]
B14	LA_D[32]	E11	LA_A[9]	M1	LB_D[34]
D9	LA_D[31]	A10	LA_A[8]	M2	LB_D[33]
E9	LA_D[30]	B10	LA_A[7]	M3	LB_D[32]
D8	LA_D[29]	D10	LA_A[6]	U4	LB_D[31]
E8	LA_D[28]	E10	LA_A[5]	U5	LB_D[30]
D7	LA_D[27]	A8	LA_A[4]	V4	LB_D[29]
E7	LA_D[26]	C7	LA_A[3]	V5	LB_D[28]
D6	LA_D[25]	B8	LA_ADSC#	W4	LB_D[27]
E6	LA_D[24]	C1	LA_CLK	W5	LB_D[26]
D5	LA_D[23]	C9	LA_WE#	Y4	LB_D[25]
E5	LA_D[22]	D12	LA_WE0#	Y5	LB_D[24]

Ball – Signal Name Table (continued)

Ball No.	Signal Name	Ball No.	Signal Name	Ball No.	Signal Name
D4	LA_D[21]	E12	LA_WE1#	AA4	LB_D[23]
E4	LA_D[20]	C8	LA_OE#	AA5	LB_D[22]
AB4	LB_D[21]	U2	LB_OE1#	AH7	M[4]_RXD[0]
AB5	LB_D[20]	R28	MDC	AE6	M[3]_RXD[0]
AC4	LB_D[19]	P28	MDIO	AH5	M[2]_RXD[0]
AC5	LB_D[18]	R29	M_CLK	AH2	M[1]_RXD[0]
AD4	LB_D[17]	AC29	M[23]_RXD[1]	AF2	M[0]_RXD[0]
AD5	LB_D[16]	AE28	M[22]_RXD[1]	AC27	M[23]_CRS_DV
W1	LB_D[15]	AJ27	M[21]_RXD[1]	AF29	M[22]_CRS_DV
Y1	LB_D[14]	AF27	M[20]_RXD[1]	AG27	M[21]_CRS_DV
Y2	LB_D[13]	AJ25	M[19]_RXD[1]	AF26	M[20]_CRS_DV
Y3	LB_D[12]	AF24	M[18]_RXD[1]	AG25	M[19]_CRS_DV
AA1	LB_D[11]	AH23	M[17]_RXD[1]	AG23	M[18]_CRS_DV
AA2	LB_D[10]	AE19	M[16]_RXD[1]	AF23	M[17]_CRS_DV
AA3	LB_D[9]	AF21	M[15]_RXD[1]	AG21	M[16]_CRS_DV
AB1	LB_D[8]	AJ19	M[14]_RXD[1]	AH21	M[15]_CRS_DV
AB2	LB_D[7]	AF18	M[13]_RXD[1]	AF19	M[14]_CRS_DV
AB3	LB_D[6]	AJ17	M[12]_RXD[1]	AF17	M[13]_CRS_DV
AC1	LB_D[5]	AJ15	M[11]_RXD[1]	AG17	M[12]_CRS_DV
AC2	LB_D[4]	AF15	M[10]_RXD[1]	AG15	M[11]_CRS_DV
AC3	LB_D[3]	AJ13	M[9]_RXD[1]	AF14	M[10]_CRS_DV
AD1	LB_D[2]	AF12	M[8]_RXD[1]	AG13	M[9]_CRS_DV
AD2	LB_D[1]	AJ11	M[7]_RXD[1]	AF11	M[8]_CRS_DV
AD3	LB_D[0]	AJ9	M[6]_RXD[1]	AG11	M[7]_CRS_DV
N3	LB_A[20]	AF9	M[5]_RXD[1]	AG9	M[6]_CRS_DV
N2	LB_A[19]	AJ7	M[4]_RXD[1]	AF8	M[5]_CRS_DV
N1	LB_A[18]	AF6	M[3]_RXD[1]	AG7	M[4]_CRS_DV
P3	LB_A[17]	AJ5	M[2]_RXD[1]	AF5	M[3]_CRS_DV
P2	LB_A[16]	AJ3	M[1]_RXD[1]	AG5	M[2]_CRS_DV
P1	LB_A[15]	AF1	M[0]_RXD[1]	AH3	M[1]_CRS_DV

Ball – Signal Name Table (continued)

Ball No.	Signal Name	Ball No.	Signal Name	Ball No.	Signal Name
R5	LB_A[14]	AC28	M[23]_RXD[0]	AF3	M[0]_CRS_DV
R4	LB_A[13]	AF28	M[22]_RXD[0]	AD29	M[23]_TXEN
R3	LB_A[12]	AH27	M[21]_RXD[0]	AG28	M[22]_TXEN
R2	LB_A[11]	AE27	M[20]_RXD[0]	AJ26	M[21]_TXEN
R1	LB_A[10]	AH25	M[19]_RXD[0]	AE26	M[20]_TXEN
T5	LB_A[9]	AE24	M[18]_RXD[0]	AJ24	M[19]_TXEN
T4	LB_A[8]	AF22	M[17]_RXD[0]	AE23	M[18]_TXEN
T3	LB_A[7]	AF20	M[16]_RXD[0]	AJ22	M[17]_TXEN
T2	LB_A[6]	AE21	M[15]_RXD[0]	AJ20	M[16]_TXEN
T1	LB_A[5]	AH19	M[14]_RXD[0]	AE20	M[15]_TXEN
W3	LB_A[4]	AH20	M[13]_RXD[0]	AJ18	M[14]_TXEN
W2	LB_A[3]	AH17	M[12]_RXD[0]	AJ21	M[13]_TXEN
V1	LB_ADSC#	AH15	M[11]_RXD[0]	AJ16	M[12]_TXEN
G1	LB_CLK	AE15	M[10]_RXD[0]	AJ14	M[11]_TXEN
V3	LB_WE#	AH13	M[9]_RXD[0]	AE14	M[10]_TXEN
P4	LB_WE0#	AE12	M[8]_RXD[0]	AJ12	M[9]_TXEN
P5	LB_WE1#	AH11	M[7]_RXD[0]	AE11	M[8]_TXEN
V2	LB_OE#	AH9	M[6]_RXD[0]	AJ10	M[7]_TXEN
U1	LB_OE0#	AE9	M[5]_RXD[0]	AJ8	M[6]_TXEN
AE8	M[5]_TXEN	AH8	M[6]_TXD[0]	G27	M26_RXD[15]
AJ6	M[4]_TXEN	AF7	M[5]_TXD[0]	H29	M26_RXD[14]
AE5	M[3]_TXEN	AH6	M[4]_TXD[0]	H28	M26_RXD[13]
AJ4	M[2]_TXEN	AF4	M[3]_TXD[0]	H27	M26_RXD[12]
AG1	M[1]_TXEN	AH4	M[2]_TXD[0]	J29	M26_RXD[11]
AE1	M[0]_TXEN	AG2	M[1]_TXD[0]	J28	M26_RXD[10]
AD27	M[23]_TXD[1]	AE2	M[0]_TXD[0]	J27	M26_RXD[9]
AH28	M[22]_TXD[1]	U26	M25_TXD[15]	K29	M26_RXD[8]
AG26	M[21]_TXD[1]	U25	M25_TXD[14]	K28	M26_RXD[7]
AE25	M[20]_TXD[1]	V26	M25_TXD[13]	K27	M26_RXD[6]
AG24	M[19]_TXD[1]	V25	M25_TXD[12]	L29	M26_RXD[5]

Ball – Signal Name Table (continued)

Ball No.	Signal Name	Ball No.	Signal Name	Ball No.	Signal Name
AE22	M[18]_TXD[1]	W26	M25_TXD[11]	L28	M26_RXD[4]
AJ23	M[17]_TXD[1]	W25	M25_TXD[10]	L27	M26_RXD[3]
AG20	M[16]_TXD[1]	Y27	M25_TXD[9]	M29	M26_RXD[2]
AE18	M[15]_TXD[1]	Y26	M25_TXD[8]	M28	M26_RXD[1]
AG18	M[14]_TXD[1]	AA26	M25_TXD[7]	M27	M26_RXD[0]
AE16	M[13]_TXD[1]	AA25	M25_TXD[6]	G26	M26_TXD[15]
AG16	M[12]_TXD[1]	AB26	M25_TXD[5]	G25	M26_TXD[14]
AG14	M[11]_TXD[1]	AB25	M25_TXD[4]	H26	M26_TXD[13]
AE13	M[10]_TXD[1]	AC26	M25_TXD[3]	H25	M26_TXD[12]
AG12	M[9]_TXD[1]	AC25	M25_TXD[2]	J26	M26_TXD[11]
AE10	M[8]_TXD[1]	AD26	M25_TXD[1]	J25	M26_TXD[10]
AG10	M[7]_TXD[1]	AD25	M25_TXD[0]	K25	M26_TXD[9]
AG8	M[6]_TXD[1]	U27	M25_RXD[15]	K26	M26_TXD[8]
AE7	M[5]_TXD[1]	V29	M25_RXD[14]	M25	M26_TXD[7]
AG6	M[4]_TXD[1]	V28	M25_RXD[13]	L26	M26_TXD[6]
AE4	M[3]_TXD[1]	V27	M25_RXD[12]	M26	M26_TXD[5]
AG4	M[2]_TXD[1]	W29	M25_RXD[11]	L25	M26_TXD[4]
AG3	M[1]_TXD[1]	W28	M25_RXD[10]	N26	M26_TXD[3]
AE3	M[0]_TXD[1]	W27	M25_RXD[9]	N25	M26_TXD[2]
AD28	M[23]_TXD[0]	Y29	M25_RXD[8]	P26	M26_TXD[1]
AG29	M[22]_TXD[0]	Y28	M25_RXD[7]	P25	M26_TXD[0]
AH26	M[21]_TXD[0]	Y25	M25_RXD[6]	F28	M26_RX_DV
AF25	M[20]_TXD[0]	AA29	M25_RXD[5]	G28	M26_RX_ER
AH24	M[19]_TXD[0]	AA28	M25_RXD[4]	E25	M26_CR_S
AG22	M[18]_TXD[0]	AA27	M25_RXD[3]	G29	M26_COL
AH22	M[17]_TXD[0]	AB29	M25_RXD[2]	F29	M26_RXCLK
AE17	M[16]_TXD[0]	AB28	M25_RXD[1]	F26	M26_TX_EN
AG19	M[15]_TXD[0]	AB27	M25_RXD[0]	E26	M26_TX_ER
AH18	M[14]_TXD[0]	R26	M25_TX_ER	F25	M26_TXCLK
AF16	M[13]_TXD[0]	T25	M25_TXCLK	E24	BIST_DONE/TSTOUT[15]

Ball – Signal Name Table (continued)

Ball No.	Signal Name	Ball No.	Signal Name	Ball No.	Signal Name
AH16	M[12]_TXD[0]	T26	M25_TX_EN	D24	BIST_IN_PRC/TSTOUT[14]
AH14	M[11]_TXD[0]	T28	M25_RX_DV	D25	MCT_ERR/TSTOUT[13]
AF13	M[10]_TXD[0]	U28	M25_RX_ER	D26	FCB_ERR/TSTOUT[12]
AH12	M[9]_TXD[0]	R25	M25_CRS	C26	CHECKSUM_OK/TSTOUT[11]
AF10	M[8]_TXD[0]	U29	M25_COL	D27	INIT_START/TSTOUT[10]
AH10	M[7]_TXD[0]	T29	M25_RXCLK	C27	INIT_DONE/TSTOUT[9]
B27	G2_LINK#/TSTOUT[8]	U18	VSS	N12	VSS
A27	G2_DPCOL#/TSTOUT[7]	V12	VSS	N13	VSS
E28	G2_RXTX#/TSTOUT[6]	V13	VSS	K17	VDD
D28	G1_LINK#/TSTOUT[5]	V14	VSS	K18	VDD
C28	G1_DPCOL#/TSTOUT[4]	V15	VSS	M10	VDD
B28	G1_RXTX#/TSTOUT[3]	V16	VSS	N10	VDD
E29	LED_BIT/TSTOUT[2]	V17	VSS	M20	VDD
D29	LED_SYN/TSTOUT[1]	V18	VSS	N20	VDD
C29	LED_CLK/TSTOUT[0]	N14	VSS	U10	VDD
N29	REF_CLK1	N15	VSS	V10	VDD
P29	REF_CLK0	N16	VSS	U20	VDD
F3	SCAN_EN	N17	VSS	V20	VDD
E1	SCLK	N18	VSS	Y12	VDD
U3	T_MODE0	P12	VSS	Y13	VDD
C10	T_MODE1	P13	VSS	Y17	VDD
B24	TRUNK2	P14	VSS	Y18	VDD
A21	TRUNK1	P15	VSS	K12	VDD
C22	TRUNK0	P16	VSS	K13	VDD
A26	STROBE	C19	OE_CLK2	M16	VSS
B26	D0	B19	OE_CLK1	M17	VSS
C25	AUTOFD	A19	OE_CLK0	M18	VSS
A24	SCL	R13	VSS	F16	VDD33
A25	SDA	R14	VSS	F17	VDD33
F1	AVCC	R15	VSS	N6	VDD33

Ball – Signal Name Table (continued)

Ball No.	Signal Name	Ball No.	Signal Name	Ball No.	Signal Name
D1	AGND	R16	VSS	P6	VDD33
D22	SCANCOL	R17	VSS	R6	VDD33
E23	SCANLINK	R18	VSS	T6	VDD33
E27	SCANMODE	T12	VSS	U6	VDD33
N28		T13	VSS	N24	VDD33
N27		T14	VSS	P24	VDD33
F2	RESIN#	T15	VSS	R24	VDD33
G2	RESETOUT_	T16	VSS	T24	VDD33
B22	MIRROR5	T17	VSS	U24	VDD33
A22	MIRROR4	T18	VSS	AD13	VDD33
C23	MIRROR3	U12	VSS	AD14	VDD33
B23	MIRROR2	U13	VSS	AD15	VDD33
A23	MIRROR1	U14	VSS	AD16	VDD33
C24	MIRROR0	U15	VSS	AD17	VDD33
D23	SCANCLK	U16	VSS	F13	VDD33
T27	M25_MTXCLK	U17	VSS	F14	VDD33
F27	M26_MTXCLK	M12	VSS	F15	VDD33
C20	LA_CLK2	M13	VSS	R12	VSS
B20	LA_CLK1	M14	VSS	B25	RESERVED
A20	LA_CLK0	M15	VSS	E20	RESERVED
C21	P_D	P17	VSS	P18	VSS

14.4 AC/DC Timing

14.4.1 Absolute Maximum Ratings

Storage Temperature	-65°C to +150°C
Operating Temperature	-40°C to +85°C
Supply Voltage VDD33 with Respect to V _{SS}	+3.0 V to +3.6 V
Supply Voltage VDD with Respect to V _{SS}	+2.38 V to +2.75 V
Voltage on Input Pins	-0.5 V to (VDD33 + 0.3 V)

Caution: Stress above those listed may damage the device. Exposure to the Absolute Maximum Ratings for extended periods may affect device reliability. Functionality at or above these limits is not implied.

14.4.2 DC Electrical Characteristics

VDD33 = 3.0 V to 3.6 V (3.3v +/- 10%)

T_{AMBIENT} = -40°C to +85°C

VDD = 2.5V +10% - 5%

14.4.3 Recommended Operation Conditions

Recommended Operation Conditions Table

Symbol	Parameter Description	Preliminary			Unit
		Min	Typ	Max	
f _{osc}	Frequency of Operation		100		MHz
I _{DD1}	Supply Current – @ 100 MHz (VDD33 = 3.3 V)			450	mA
I _{DD2}	Supply Current – @ 100 MHz (VDD = 2.5 V)			1500	mA
V _{OH}	Output High Voltage (CMOS)	VDD33 - 0.5			V
V _{OL}	Output Low Voltage (CMOS)			0.5	V
V _{IH-TTL}	Input High Voltage (TTL 5V tolerant)	VDD33 x 70%		VDD33 + 2.0	V
V _{IL-TTL}	Input Low Voltage (TTL 5V tolerant)			VDD33 x 30%	V
I _{IH-5VT}	Input Leakage Current (0.1 V < V _{IN} < VDD33) (all pins except those with internal pull-up/pull-down resistors)			10	μA
C _{IN}	Input Capacitance			5	pF
C _{OUT}	Output Capacitance			5	pF
C _{I/O}	I/O Capacitance			7	pF
θ _{ja}	Thermal resistance with 0 air flow			11.2	C/W
θ _{ja}	Thermal resistance with 1 m/s air flow			10.2	C/W
θ _{ja}	Thermal resistance with 2m/s air flow			8.9	C/W

14.5 Local Frame Buffer SBRAM Memory Interface

14.5.1 Local SBRAM Memory Interface

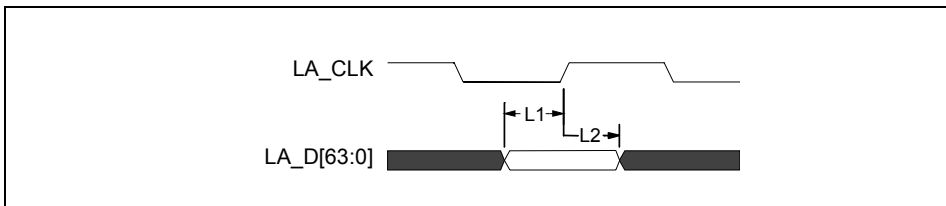


Figure 20 - Local Memory Interface – Input setup and hold timing

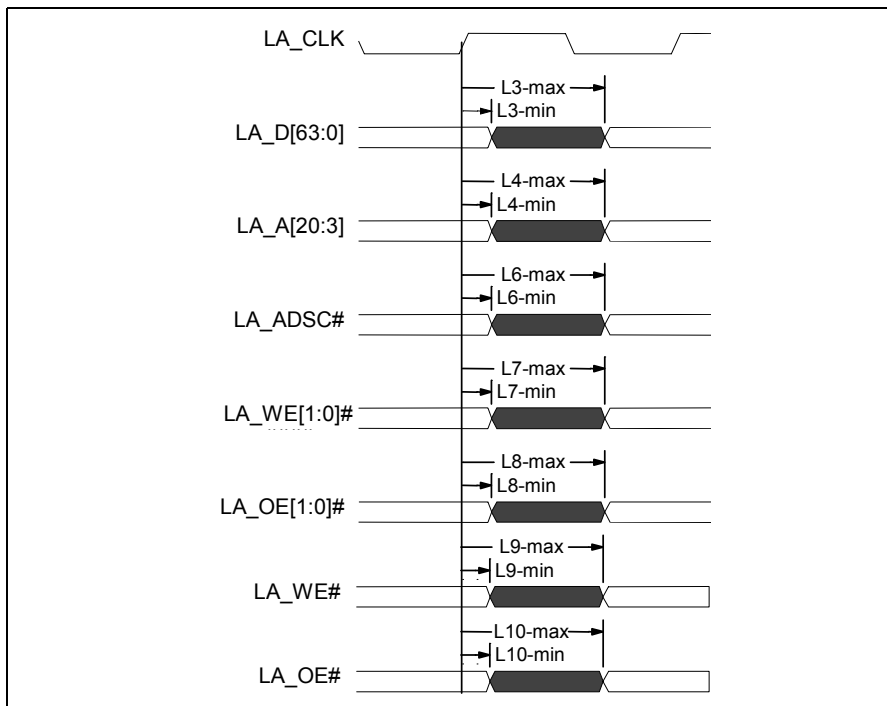


Figure 21 - Local Memory Interface - Output valid delay timing

Symbol	Parameter	-100MHz		Note
		Min (ns)	Max (ns)	
L1	LA_D[63:0] input set-up time	4		
L2	LA_D[63:0] input hold time	1.5		
L3	LA_D[63:0] output valid delay	1.5	7	$C_L = 25\text{pf}$
L4	LA_A[20:3] output valid delay	2	7	$C_L = 30\text{pf}$
L6	LA_ADSC# output valid delay	1	7	$C_L = 30\text{pf}$
L7	LA_WE[1:0]#output valid delay	1	7	$C_L = 25\text{pf}$
L8	LA_OE[1:0]# output valid delay	-1	1	$C_L = 25\text{pf}$
L9	LA_WE# output valid delay	1	7	$C_L = 25\text{pf}$
L10	LA_OE# output valid delay	1	5	$C_L = 25\text{pf}$

Table 13 - AC Characteristics – Local frame buffer SBRAM Memory Interface

14.6 Local Switch Database SBRAM Memory Interface

14.6.1 Local SBRAM Memory Interface:

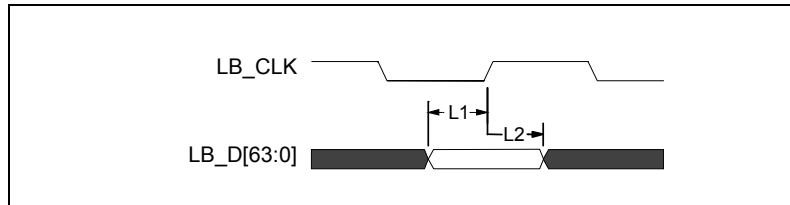


Figure 22 - Local Memory Interface – Input setup and hold timing

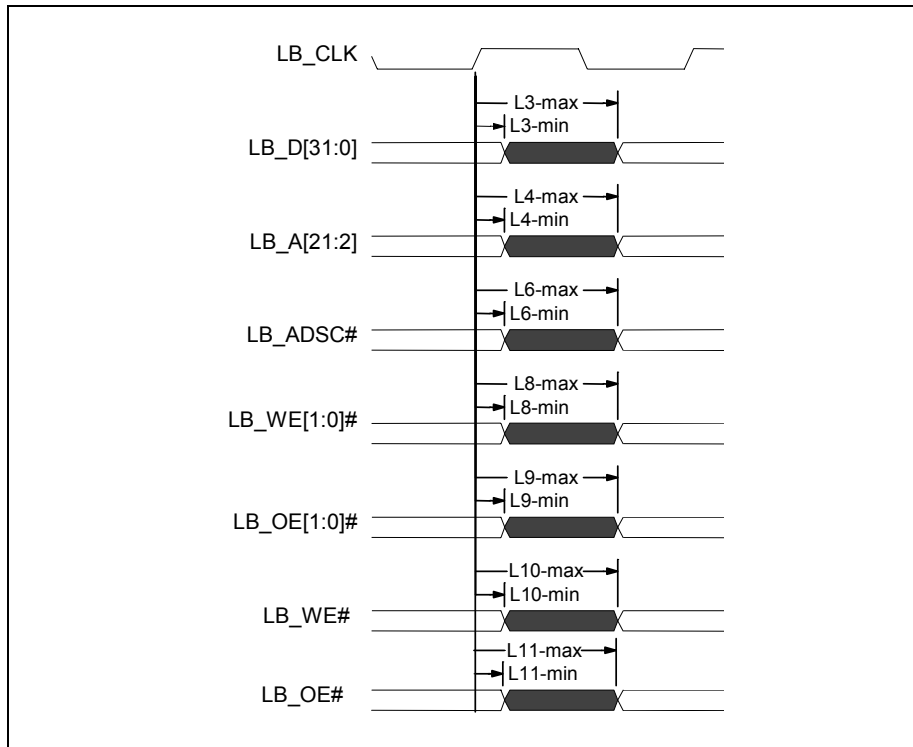


Figure 23 - Local Memory Interface - Output valid delay timing

Symbol	Parameter	-100MHz		Note
		Min (ns)	Max (ns)	
L1	LB_D[63:0] input set-up time	4		
L2	LB_D[63:0] input hold time	1.5		
L3	LB_D[63:0] output valid delay	1.5	7	$C_L = 25\text{pf}$
L4	LB_A[20:3] output valid delay	2	7	$C_L = 30\text{pf}$
L6	LB_ADSC# output valid delay	1	7	$C_L = 30\text{pf}$
L8	LB_WE[1:0]# output valid delay	1	7	$C_L = 25\text{pf}$
L9	LB_OE[1:0]# output valid delay	-1	1	$C_L = 25\text{pf}$
L10	LB_WE# output valid delay	1	7	$C_L = 25\text{pf}$
L11	LB_OE# output valid delay	1	5	$C_L = 25\text{pf}$

Table 14 - AC Characteristics – Local Switch Database SBRAM Memory Interface

14.7 AC Characteristics

14.7.1 Reduced Media Independent Interface

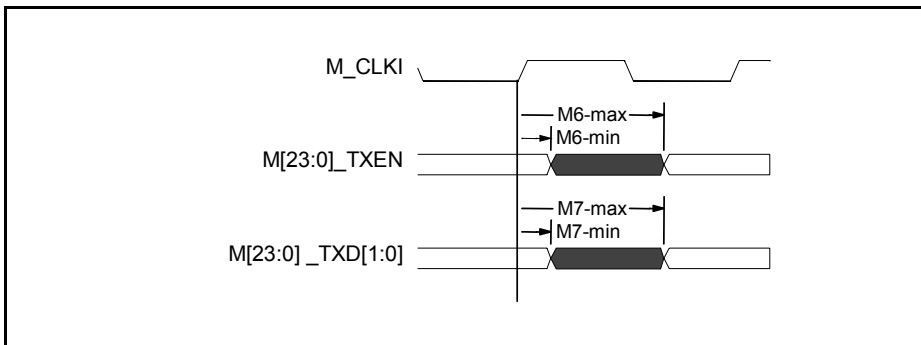


Figure 24 - AC Characteristics – Reduced Media Independent Interface

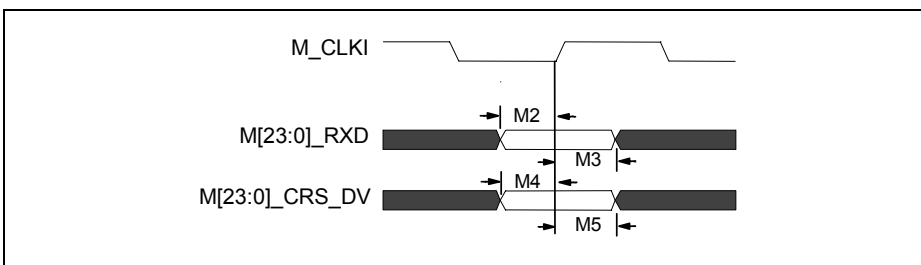


Figure 25 - AC Characteristics – Reduced Media Independent Interface

Symbol	Parameter	-50MHz		Note
		Min (ns)	Max (ns)	
M2	M[23:0]_RXD[1:0] Input Setup Time	4		
M3	M[23:0]_RXD[1:0] Input Hold Time	1		
M4	M[23:0]_CRS_DV Input Setup Time	4		
M5	M[23:0]_CRS_DV Input Hold Time	1		
M6	M[23:0]_TXEN Output Delay Time	2	11	C _L = 20 pF
M7	M[23:0]_TXD[1:0] Output Delay Time	2	11	C _L = 20 pF

Table 15 - AC Characteristics – Reduced Media Independent Interface

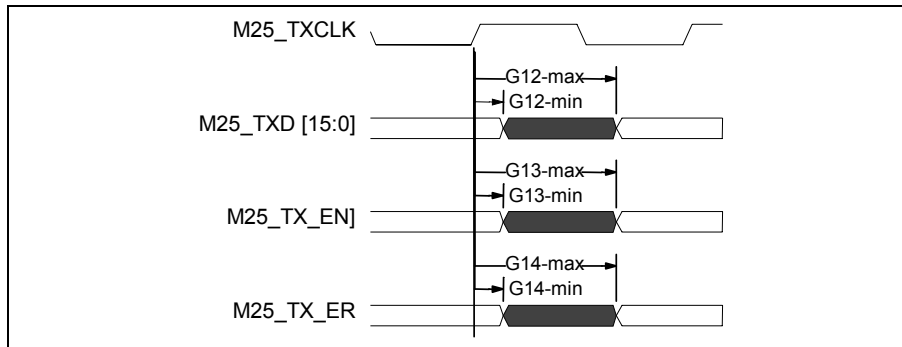


Figure 26 - AC Characteristics- GMII

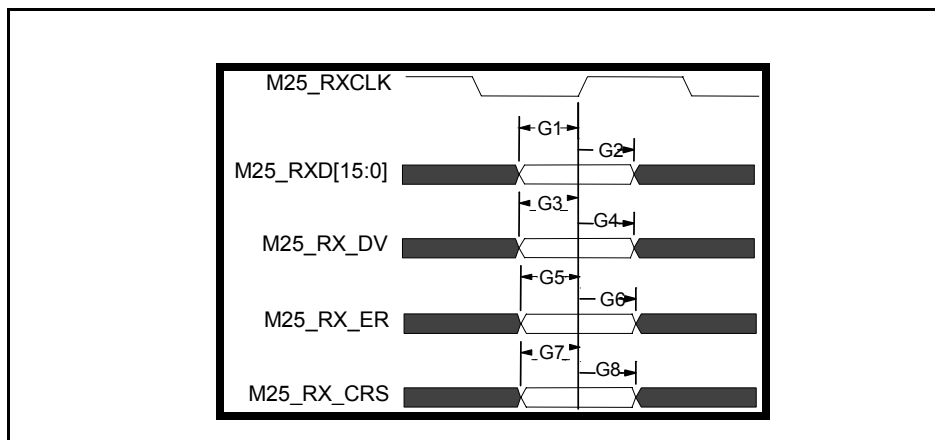


Figure 27 - AC Characteristics – Gigabit Media Independent Interface

Symbol	Parameter	-125Mhz		Note
		Min (ns)	Max (ns)	
G1	M[25]_RXD[15:0] Input Setup Times	2		
G2	M[25]_RXD[15:0] Input Hold Times	1		
G3	M[25]_RX_DV Input Setup Times	2		
G4	M[25]_RX_DV Input Hold Times	1		
G5	M[25]_RX_ER Input Setup Times	2		
G6	M[25]_RX_ER Input Hold Times	1		
G7	M[25]_CRS Input Setup Times	2		
G8	M[25]_CRS Input Hold Times	1		

Figure 28 - AC Characteristics – Gigabit Media Independent Interface

Symbol	Parameter	-125Mhz		Note
		Min (ns)	Max (ns)	
G12	M[25]_TXD[15:0] Output Delay Times	1	6	$C_L = 20\text{pf}$
G13	M[25]_TX_EN Output Delay Times	1	6.5	$C_L = 20\text{pf}$
G14	M[25]_TX_ER Output Delay Times	1	6	$C_L = 20\text{pf}$

Figure 28 - AC Characteristics – Gigabit Media Independent Interface (continued)

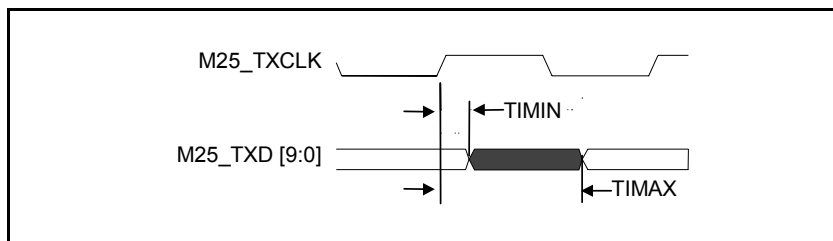


Figure 29 - Gigabit TBI Interface Transmit Timing

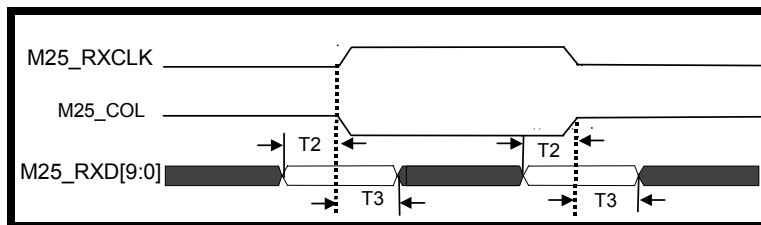


Figure 30 - Gigabit TBI Interface Receive Timing

Symbol	Parameter	Min (ns)	Max (ns)	Note
T1	M25_TXD[9:0] Output Delay Time	1	6	$C_L = 20\text{pf}$

Table 16 - Output Delay Timing

Symbol	Parameter	Min (ns)	Max (ns)	Note
T2	M25_RXD[9:0] Input Setup Time	3		
T3	M25_RXD[9:0] Input Hold Time	3		

Table 17 - Input Setup Timing

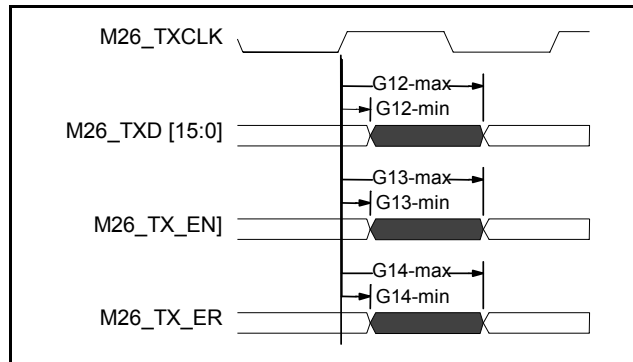


Figure 31 - AC Characteristics- GMII

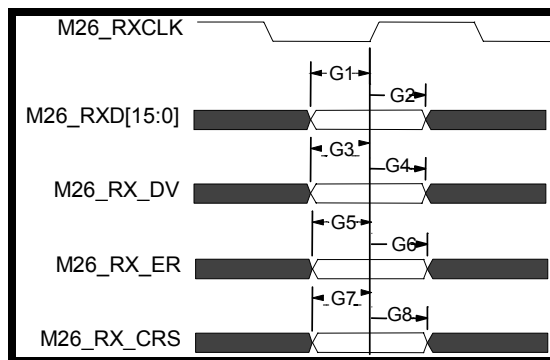


Figure 32 - AC Characteristics – Gigabit Media Independent Interface

Symbol	Parameter	-125Mhz		Note
		Min (ns)	Max (ns)	
G1	M[26]_RXD[15:0] Input Setup Times	2		
G2	M[26]_RXD[15:0] Input Hold Times	1		
G3	M[26]_RX_DV Input Setup Times	2		
G4	M[26]_RX_DV Input Hold Times	1		
G5	M[26]_RX_ER Input Setup Times	2		
G6	M[26]_RX_ER Input Hold Times	1		
G7	M[26]_CRS Input Setup Times	2		

Table 18 - AC Characteristics – Gigabit Media Independent Interface

Symbol	Parameter	-125Mhz		Note
		Min (ns)	Max (ns)	
G8	M[26]_CRS Input Hold Times	1		
G12	M[26]_TXD[15:0] Output Delay Times	1	6	C _L = 20pf
G13	M[26]_TX_EN Output Delay Times	1	6.5	C _L = 20pf
G14	M[26]_TX_ER Output Delay Times	1	6	C _L = 20pf

Table 18 - AC Characteristics – Gigabit Media Independent Interface (continued)

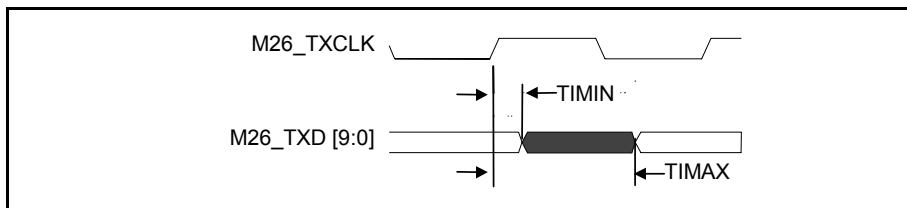


Figure 33 - Gigabit TBI Interface Transmit Timing

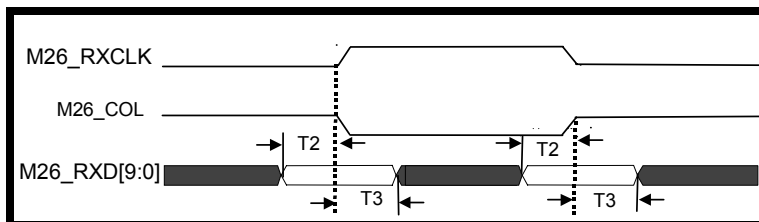


Figure 34 - Gigabit TBI Interface Timing

Symbol	Parameter	Min (ns)	Max (ns)	Note:
T1	M26_TXD[9:0] Output Delay Time	1	6	C _L = 20pf

Table 19 - Output Delay Timing

Symbol	Parameter	Min (ns)	Max (ns)	Note
T2	M26_RXD[9:0] Input Setup Time	3		
T3	M26_RXD[9:0] Input Hold Time	3		

Table 20 - Input Setup Timing

14.7.2 LED Interface

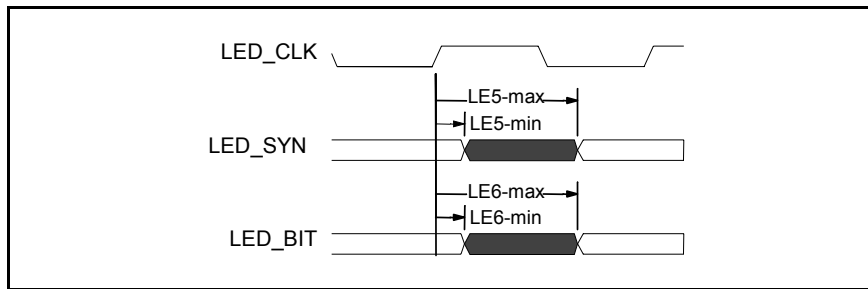


Figure 35 - AC Characteristics – LED Interface

Symbol	Parameter	Variable FREQ.		Note
		Min (ns)	Max (ns)	
LE5	LED_SYN Output Valid Delay	-1	7	$C_L = 30\text{pf}$
LE6	LED_BIT Output Valid Delay	-1	7	$C_L = 30\text{pf}$

Table 21 - AC Characteristics – LED Interface

14.7.3 SCANLINK SCANCOL Output Delay Timing

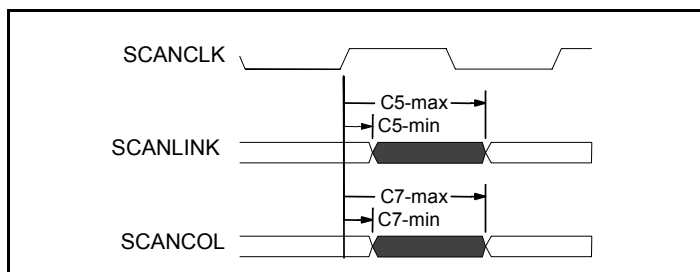


Figure 36 - SCANLINK SCANCOL Output Delay Timing

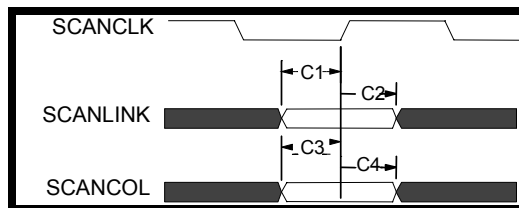


Figure 37 - SCANLINK, SCANCOL Setup Timing

Symbol	Parameter	-25MHz		Note:
		Min (ns)	Max (ns)	
C1	SCANLINK input set-up time	20		
C2	SCANLINK input hold time	2		
C3	SCANCOL input setup time	20		
C4	SCANCOL input hold time	1		
C5	SCANLINK output valid delay	0	10	$C_L = 30\text{pf}$
C7	SCANCOL output valid delay	0	10	$C_L = 30\text{pf}$

Table 22 - SCANLINK, SCANCOL Timing

14.7.4 MDIO Input Setup and Hold Timing

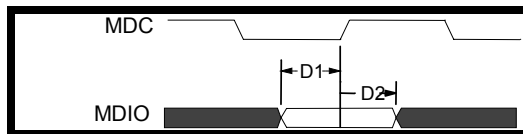


Figure 38 - MDIO Input Setup and Hold Timing

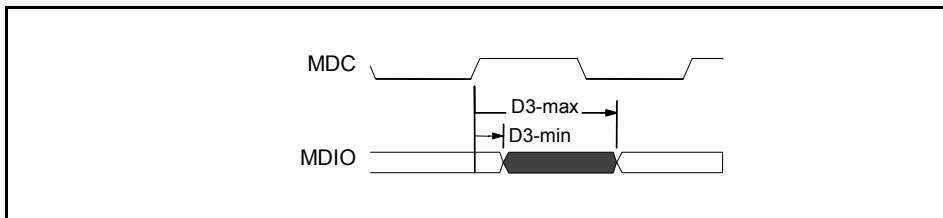


Figure 39 - MDIO Output Delay Timing

Symbol	Parameter	1MHz		Note
		Min (ns)	Max (ns)	
D1	MDIO input setup time	10		
D2	MDIO input hold time	2		
D3	MDIO output delay time	1	20	$C_L = 50\text{pf}$

Table 23 - MDIO Timing

14.7.5 I²C Input Setup Timing

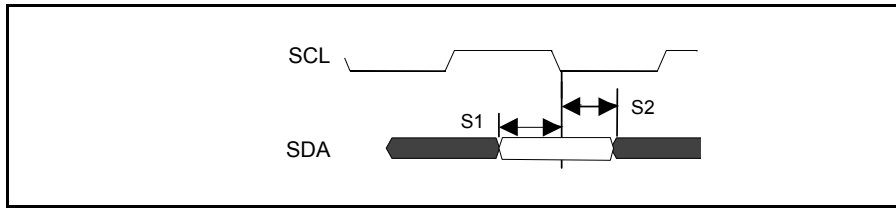


Figure 40 - I²C Input Setup Timing

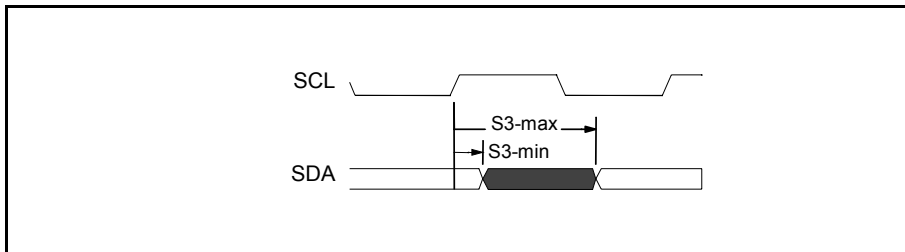


Figure 41 - I²C Output Delay Timing

Symbol	Parameter	50KHz		Note
		Min (ns)	Max (ns)	
S1	SDA input setup time	20		
S2	SDA input hold time	1		
S3*	SDA output delay time	4 usec	6 usec	C _L = 30pf

* Open Drain Output. Low to High transistor is controlled by external pullup resistor.

Table 24 - I²C Timing

14.7.6 Serial Interface Setup Timing

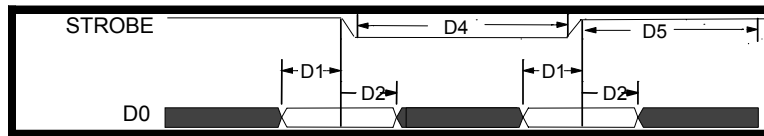


Figure 42 - Serial Interface Setup Timing

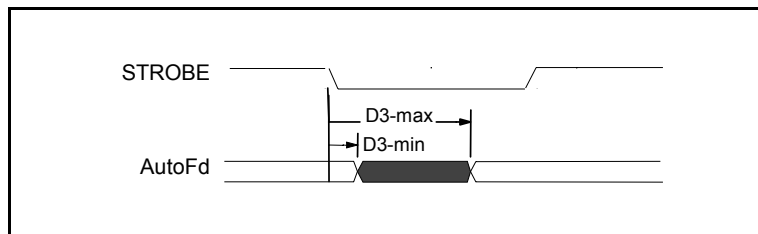
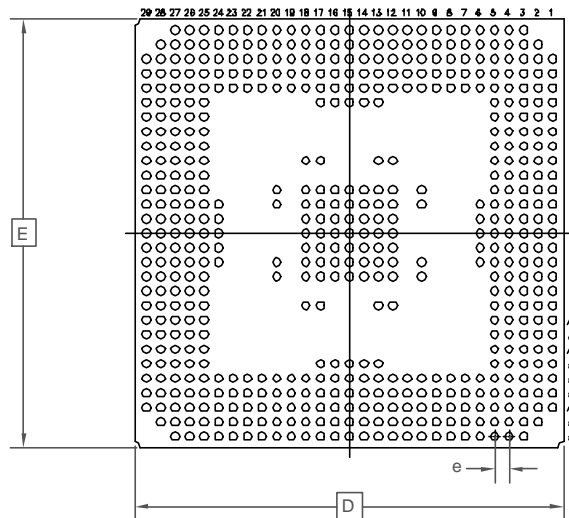
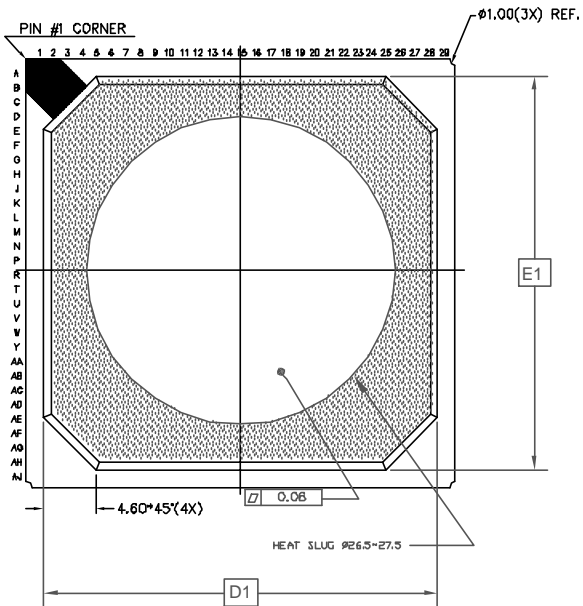


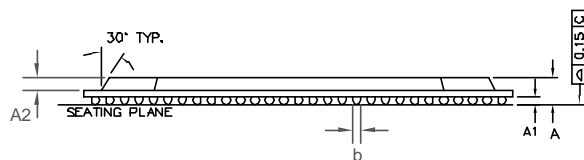
Figure 43 - Serial Interface Output Delay Timing

Symbol	Parameter	Min (ns)	Max (ns)	Note
D1	D0 setup time	20		
D2	D0 hold time	3 μ s		
D3	AutoFd output delay time	1	50	$C_L = 100$ pf
D4	Strobe low time	5 μ s		
D5	Strobe high time	5 μ s		

Table 25 - Serial Interface Timing



DIMENSION	MIN	MAX
A	2.20	2.46
A1	0.50	0.70
A2	1.17 REF	
D	37.30	37.70
D1	34.50 REF	
E	37.30	37.70
E1	34.50 REF	
b	0.60	0.90
e	1.27	
N	553	
Conforms to JEDEC MS - 034		



NOTE:

1. CONTROLLING DIMENSIONS ARE IN MM
2. DIMENSION "b" IS MEASURED AT THE MAXIMUM SOLDER BALL DIAMETER
3. SEATING PLANE IS DEFINED BY THE SPHERICAL CROWNS OF THE SOLDER BALLS.
4. N IS THE NUMBER OF SOLDER BALLS
5. NOT TO SCALE.
6. SUBSTRATE THICKNESS IS 0.56 MM

© Zarlink Semiconductor 2002 All rights reserved.

ISSUE	1			
ACN	213932			
DATE	20Jan03			
APPRD.				



Previous package codes:

BH / G

Package Code GK

Package Outline for 553 Ball HSBGA (37.5x37.5x2.33mm)

GPD00818



**For more information about all Zarlink products
visit our Web Site at
www.zarlink.com**

Information relating to products and services furnished herein by Zarlink Semiconductor Inc. trading as Zarlink Semiconductor or its subsidiaries (collectively "Zarlink") is believed to be reliable. However, Zarlink assumes no liability for errors that may appear in this publication, or for liability otherwise arising from the application or use of any such information, product or service or for any infringement of patents or other intellectual property rights owned by third parties which may result from such application or use. Neither the supply of such information or purchase of product or service conveys any license, either express or implied, under patents or other intellectual property rights owned by Zarlink or licensed from third parties by Zarlink, whatsoever. Purchasers of products are also hereby notified that the use of product in certain ways or in combination with Zarlink, or non-Zarlink furnished goods or services may infringe patents or other intellectual property rights owned by Zarlink.

This publication is issued to provide information only and (unless agreed by Zarlink in writing) may not be used, applied or reproduced for any purpose nor form part of any order or contract nor to be regarded as a representation relating to the products or services concerned. The products, their specifications, services and other information appearing in this publication are subject to change by Zarlink without notice. No warranty or guarantee express or implied is made regarding the capability, performance or suitability of any product or service. Information concerning possible methods of use is provided as a guide only and does not constitute any guarantee that such methods of use will be satisfactory in a specific piece of equipment. It is the user's responsibility to fully determine the performance and suitability of any equipment using such information and to ensure that any publication or data used is up to date and has not been superseded. Manufacturing does not necessarily include testing of all functions or parameters. These products are not suitable for use in any medical products whose failure to perform may result in significant injury or death to the user. All products and materials are sold and services provided subject to Zarlink's conditions of sale which are available on request.

Purchase of Zarlink's I²C components conveys a licence under the Philips I²C Patent rights to use these components in an I²C System, provided that the system conforms to the I²C Standard Specification as defined by Philips.

Zarlink and the Zarlink Semiconductor logo are trademarks of Zarlink Semiconductor Inc.

Copyright 2002, Zarlink Semiconductor Inc. All Rights Reserved.

TECHNICAL DOCUMENTATION - NOT FOR RESALE
