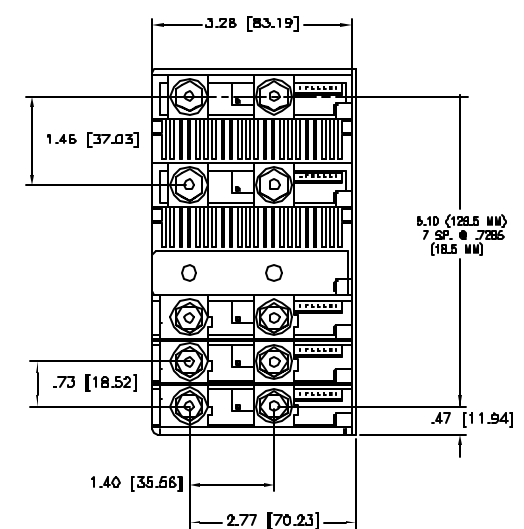
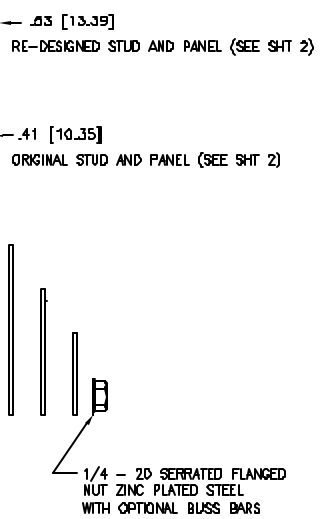
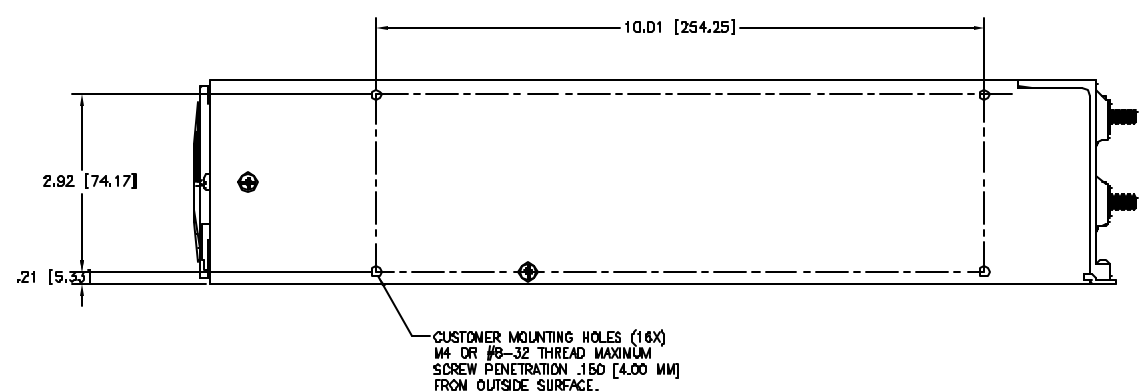
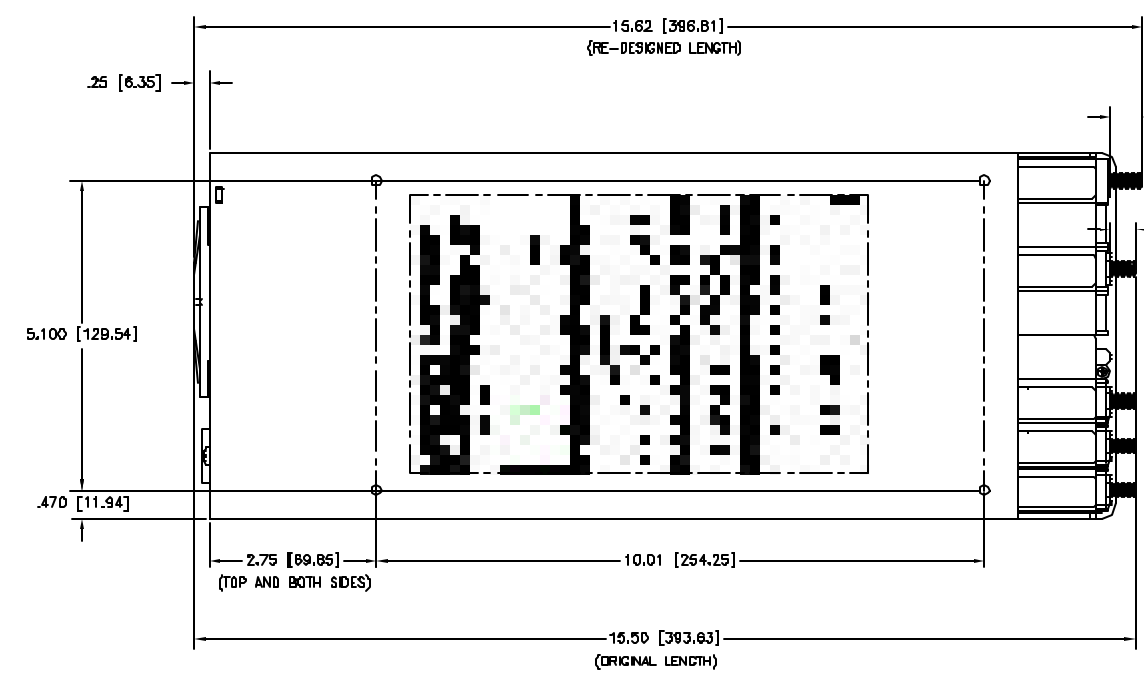
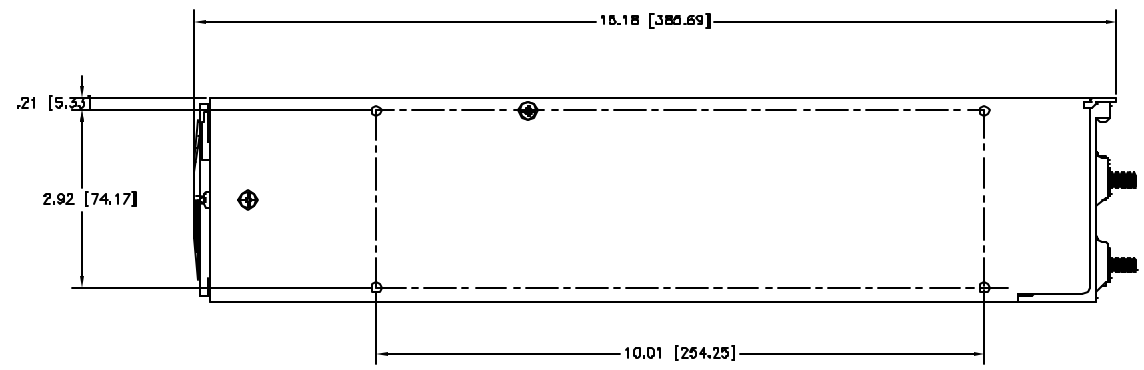
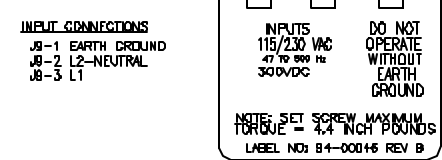
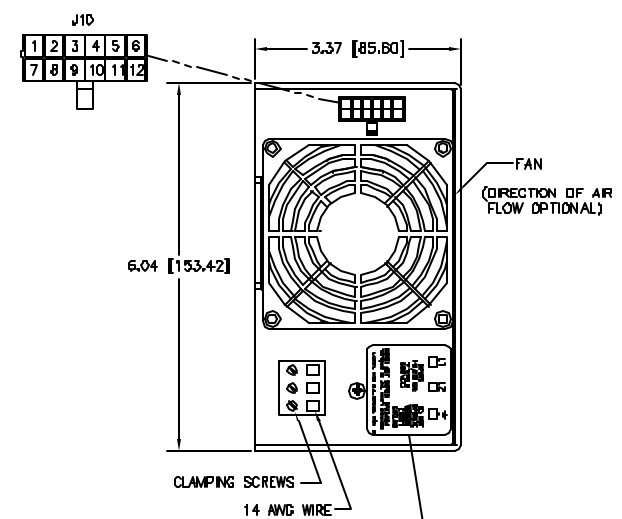


PROPRIETARY DATA:
 This document and information contained
 may not be reproduced, used or disclosed
 without prior written permission of WESTCOR
 a division of VICOR Corporation.

REVISIONS				
ECO	REV	DESCRIPTION	DATE	APPROVED
127B	A	PRODUCTION RELEASE	08/13/03	RME

- J10 INTERFACE**
- J10-1 E/D-1
 - J10-2 E/D-2
 - J10-3 E/D-3
 - J10-4 E/D-4
 - J10-5 E/D-5
 - J10-6 E/D-6
 - J10-7 E/D-7
 - J10-8 E/D-8
 - J10-9 Vcc +5V, 0.3A
 - J10-10 SIGNAL GROUND
 - J10-11 AC POWER OK
 - J10-12 GEN SHUTDOWN
- MATING HWWR:**
 HOUSING-MOLEX P/N: 38-01-2120,
 TERMINALS-MOLEX P/N: 39-00-0039
 CRIMP TOOL-MOLEX P/N: 11-01-0122



NOTE: A DETAILED DESIGN GUIDE IS AVAILABLE @ www.vicorpower.com

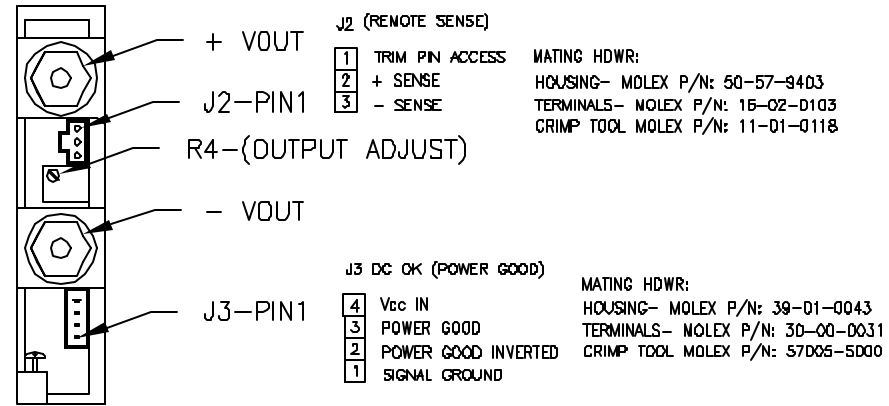
UNLESS OTHERWISE SPECIFIED DIMENSIONS ARE IN INCHES TOLERANCES ARE:		THIRD ANGLE PROJECTION		WESTCOR a division of VICOR Corp.	
FRACTIONS ± 1/32	DECIMALS XXX ± .01 XXXX ± .005	ANGLES ± 1/2°	APPROVALS	DATE	
MATERIAL	SEE BOM		DRAWN LARRY KING	10/13/99	
FINISH	---		CHECKED HUY IDAN	10/13/99	
NEXT ASSY	USED ON		APPROVED P.B. DRABING	10/13/99	
APPLICATION	DO NOT SCALE DRAWING		DESIGNED ---	---	
SIZE	CAGE CODE	DWG NO.	REV		
D	---	DB-130149	A		
SCALE	NTS	FILENAME: 08-130149	SHEET	1 OF 2	

OUTLINE DRAWING PFC MEGAPAC CLEAR (EXT) LENGTH CHASSIS

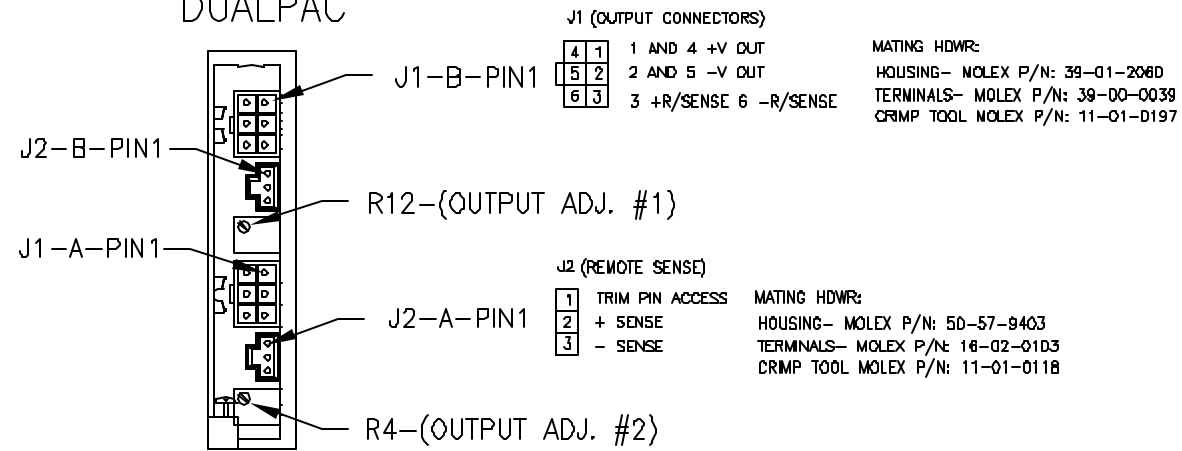
DWG NO: 08-130149 SHEET 1 OF 2

REVISIONS				
ECO	REV	DESCRIPTION	DATE	APPROVED
---	--	SEE SHEET 1	---	---

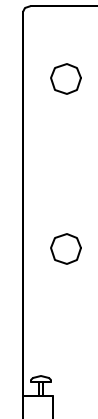
MODUPAC/JR.PAC/RAMPAC



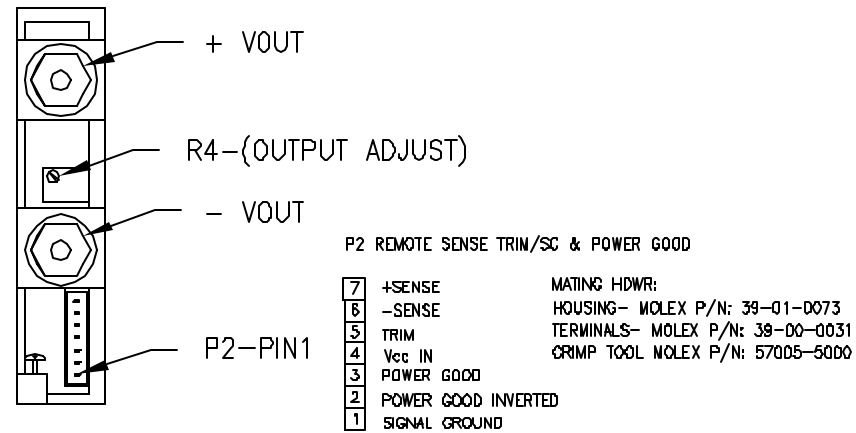
DUALPAC



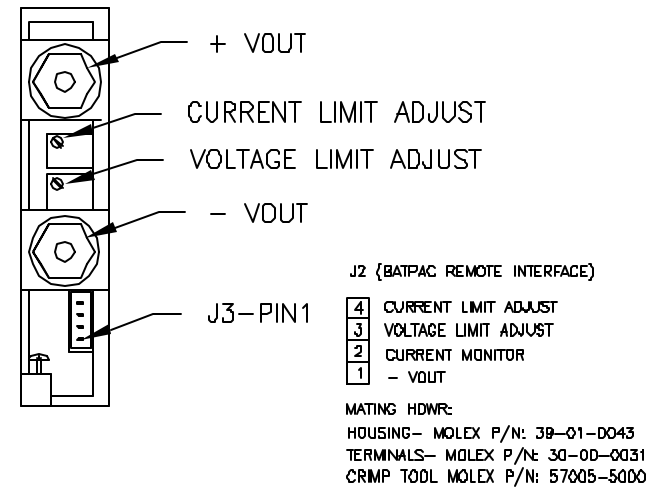
AIR BLOCK



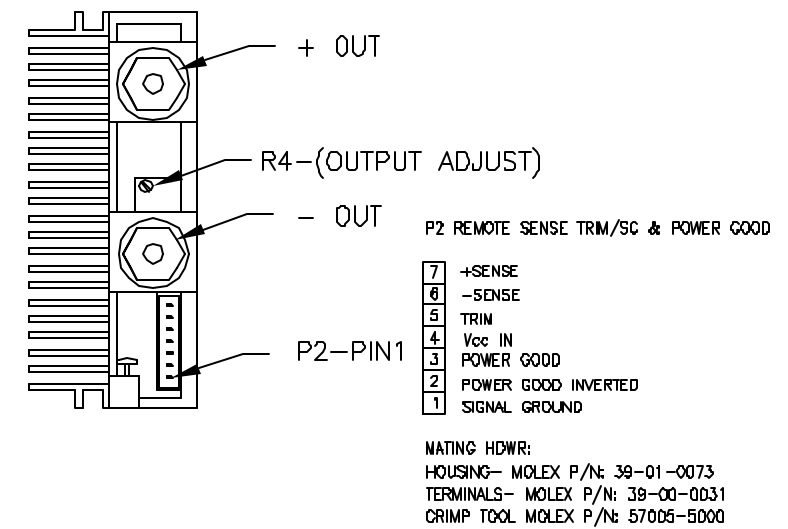
UNIPAC



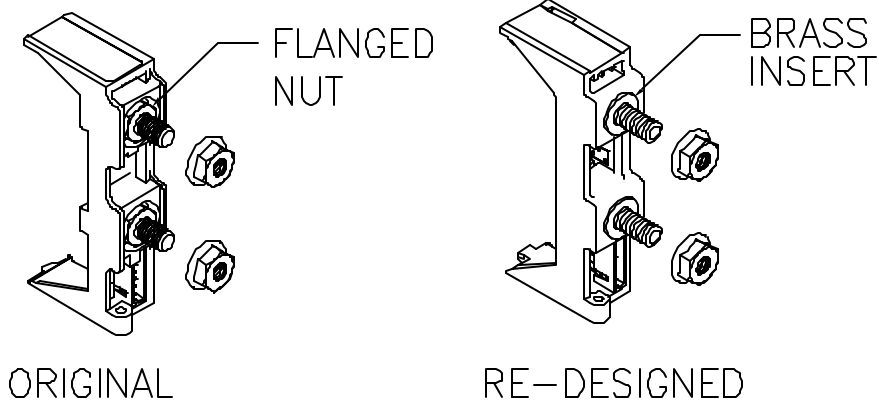
BATPAC



FINPAC



OUTPUT PANEL AND STUDS



NOTE: EITHER THE ORIGINAL OR RE-DESIGNED OUTPUT STUD AND PANEL COMBINATION MAY BE PRESENT. THE NEW OUTPUT PANEL HAS A BRASS INSERT AND THE STUD IS 1/8 INCH LONGER. (SEE SHEET ONE FOR DIMENSIONAL DATA).

WESTCOR a division of VICOR Corp.	OUTLINE DWG PFC MEGAPAC (STD) LENGTH CHASSIS			
	SIZE D	CAGE CODE ---	DWG NO. 08-130139	REV A1
	FILENAME: 08-130139		SHEET 2 OF 2	

PROPRIETARY DATA:
This document and information contained may not be reproduced, used or disclosed without prior written permission of WESTCOR a division of VICOR Corporation.