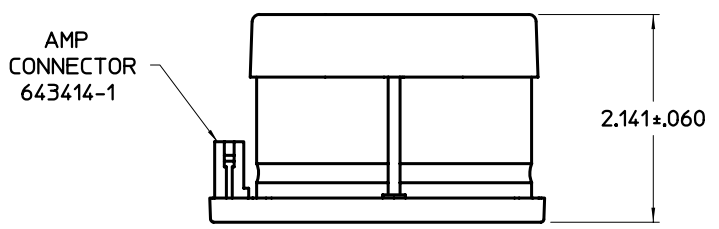
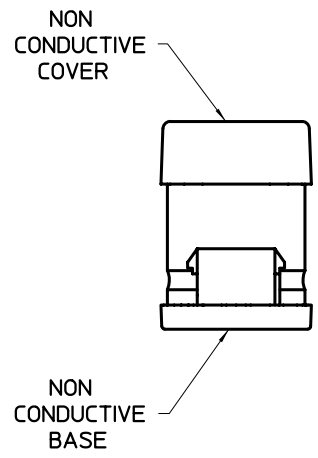
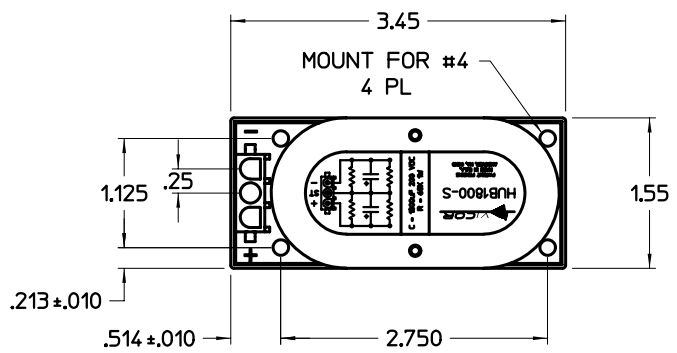


VICOR CONFIDENTIAL
 THIS DOCUMENT AND THE DATA DISCLOSED
 HEREIN OR HEREWITH IS NOT TO BE REPRODUCED,
 USED, OR DISCLOSED IN WHOLE OR IN PART
 TO ANYONE WITHOUT PERMISSION OF VICOR CORP.

REV.	DESCRIPTION	DATE	APPROVED
01	RELEASED PER E980365	DPK	9/14/98
02	RELVSD- E980451	RCM	12/1/98
03	REVSD PER E990386	AK	9/14/99
04	REVSD PER E990450	RCM	3/6/00

VICOR HUB PART NO.	MATING CONNECTOR		
	ORDER FROM: AMP		ORDER FROM: VICOR
	HOUSING (QTY 1)	PINS (QTY 3)	HOUSING/PINS KIT (QTY 1)
HUB1800-S	770018-1	770248-1	21393



AT +105°C, 120HZ UNLESS OTHERWISE NOTED	
ITEM	CHARACTERISTICS
OPERATING TEMPERATURE	-25 to +105°C
CAPACITANCE TOLERANCE @+20°C	±20%
	AMBIENT TEMPERATURE (°C)
	+45 +60 +70 +85 +105
RIPPLE CURRENT MULTIPLIER	2.64 2.23 2.12 1.73 1.00
DISSIPATION FACTOR @ +20°C	0.1
RATED VOLTAGE (WVDC)	200
CAPACITANCE VALUE (C1, C2 EA. uF)	1800
MAXIMUM ESR (OHMS) @ +20°C	0.087
MAXIMUM RIPPLE CURRENT (A rms)	3.30

DRAWN BY C HUYCHINS	DATE 7/97		
<small>UNLESS OTHERWISE SPECIFIED DIMENSIONS ARE IN INCHES- TOLERANCES ARE: FRACTIONS DECIMALS ANGLES .XXX ± .01 #1° .XXX ± .005 #1°</small>		OUTLINE DRAWING, HUB1800-S	
<small>THIRD ANGLE PROJECTION</small> 	SIZE C	FSCH NO. 67131	DWG NO. 16766
<small>DO NOT SCALE DRAWING</small>	SCALE FULL	SHEET 1 OF 1	REV 04