



SANYO Semiconductors DATA SHEET

LA71750EM — Monolithic Linear IC Video and Audio Signal-Processing IC

Overview

The LA71750EM is a video signal-processing system IC that supports the PAL (G, B and I) 4.43 NTSC, MESECAM, and NAP (G, B, and I) formats for VHS VCRs. Chip internal trimming is used to make this IC fully adjustment free. This IC significantly reduces the number of peripheral components required, thus providing substantial cost savings in the signal-processing board.

Additionally, this IC also supports the NAP standard (NTSC to PAL conversion) that is now common in Europe and China.

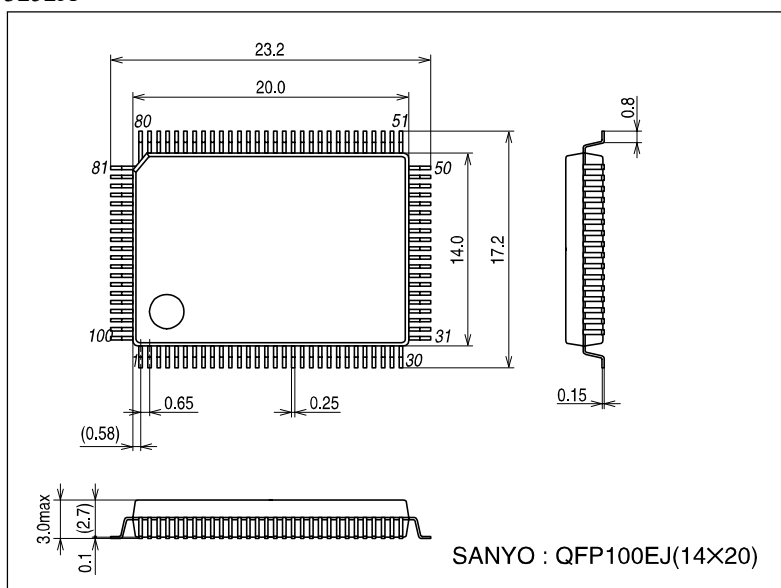
Features

- PAL VHS VCR video signal record and playback processing.
- VHS VCR audio signal record and playback processing.
- I²C bus serial control.

Package Dimensions

unit : mm

3252A



- Any and all SANYO products described or contained herein do not have specifications that can handle applications that require extremely high levels of reliability, such as life-support systems, aircraft's control systems, or other applications whose failure can be reasonably expected to result in serious physical and/or material damage. Consult with your SANYO representative nearest you before using any SANYO products described or contained herein in such applications.
- SANYO assumes no responsibility for equipment failures that result from using products at values that exceed, even momentarily, rated values (such as maximum ratings, operating condition ranges, or other parameters) listed in products specifications of any and all SANYO products described or contained herein.

