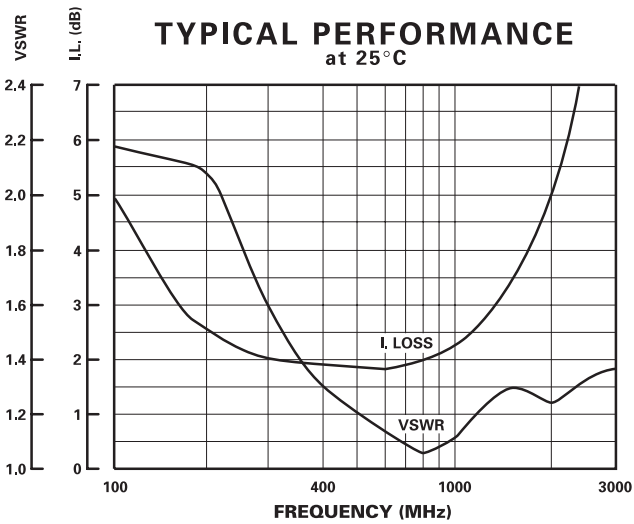
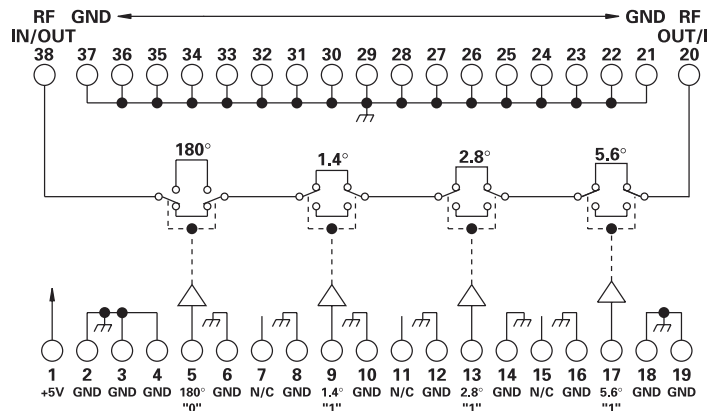
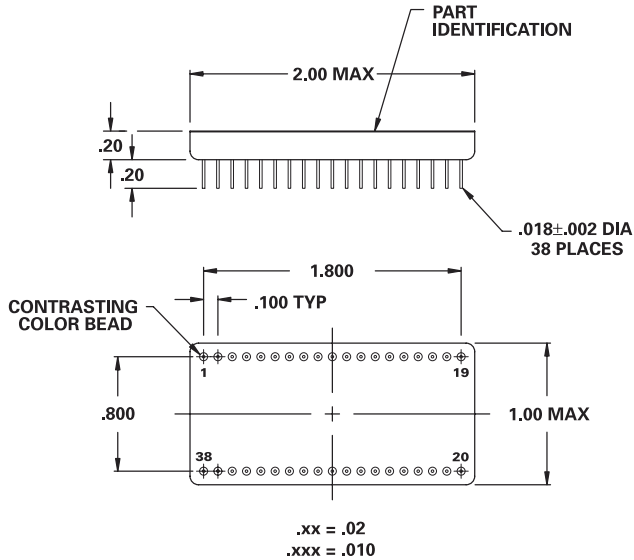


MODEL NUMBER DPS42029

Phase Shifter 4 Section

- ### FEATURES
- 500-1000 MHz
 - Multiple Bit Phase Shifter in Small Package
 - 38 Pin DIP

4 BIT



GUARANTEED PERFORMANCE

Parameter	Min	Typ	Max	Units	Conditions
Operating Frequency	500	700	1000	MHz	
DC Current		47	75	mA	At +5 VDC Supply
Control Type		TTL			4 Line Logic "0" = Thru Logic "1" = Phase
Control Current	High Low	±10 ±10		µA µA	V _{IH} = +2.7 V V _{IL} = +0.5 V
Insertion Loss		2.3	3.0	dB	
Phase	LSB Range Accuracy	0	1.4 189.8	DEG DEG	1.4, 2.8, 5.6, 180 DEG At 700 MHz Any One Bit Any Combination Any One Bit Any Combination
VSWR			1.2/1		+25°C Over Temp
Impedance		50		OHMS	
Switching Speed		130	500	nSec	50% TTL to 90% / 10% RF
Transition (Rise/Fall) Time		60		nSec	90% / 10% or 10% / 90% RF
Switching (Video) Transients		235		mV	Peak Value
Intercept Points	2nd 3rd	+67 +32		dBm dBm	300 MHz / 200 MHz 350 MHz / 200 MHz
RF Power	Operate No Damage	+13	+10 +23	dBm dBm	0.1 dB Compression
Operating Temperature		-55	+25	+85	°C TA