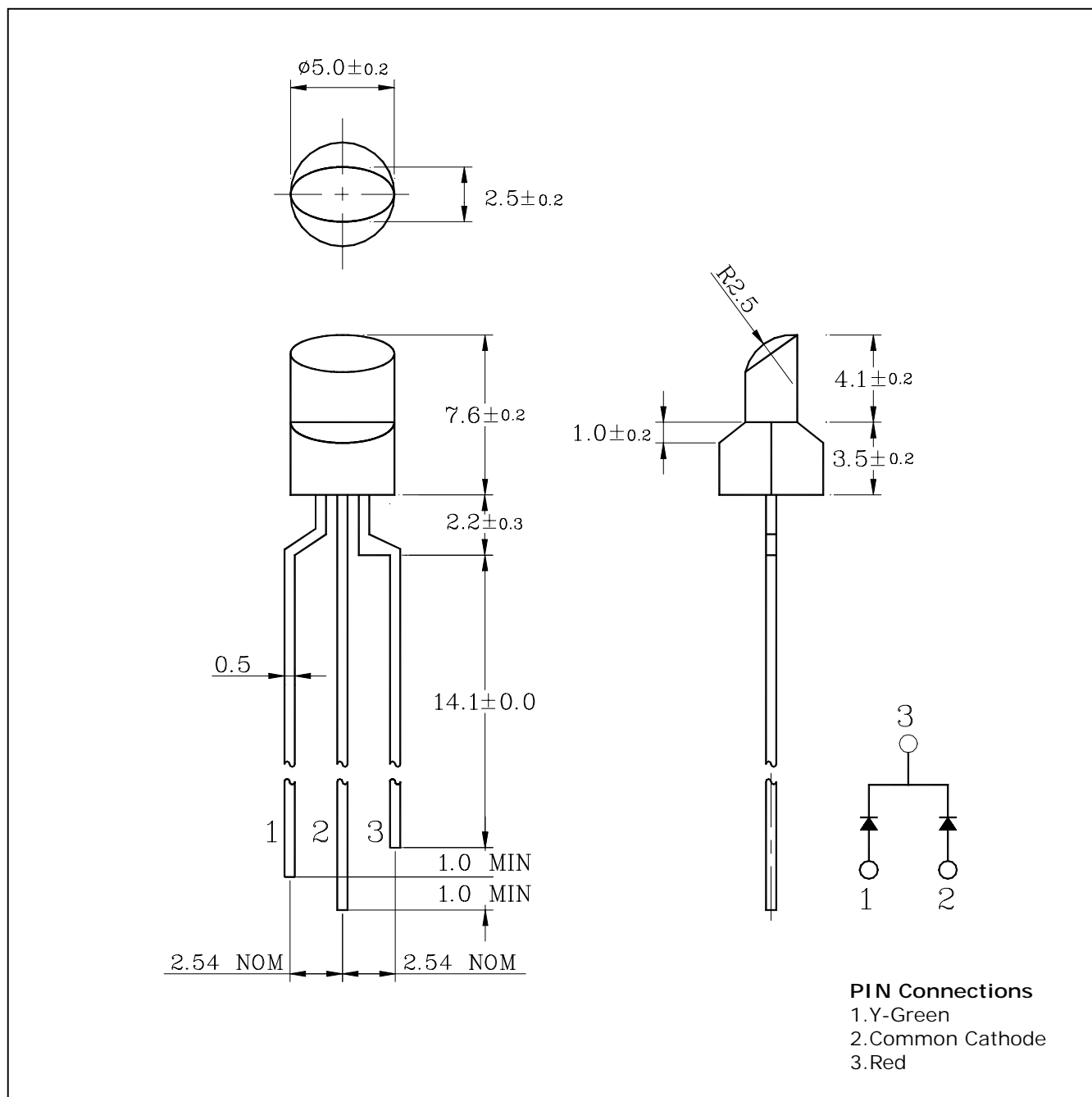


Features

- Milky diffusion lens type
- Radiation color (Red, Green)
- Available in bulk

Outline Dimensions

unit : mm



Absolute maximum ratings

Characteristic	Symbol	Ratings	Unit
Power Dissipation	P_D	85	mW
Forward Current	I_F	30	mA
*1Peak Forward Current	I_{FP}	50	mA
Reverse Voltage	V_R	4	V
Operating Temperature	T_{opr}	-25 85	
Storage Temperature	T_{stg}	-30 100	
Soldering Temperature	T_{sol}	260 for 5 seconds	

*1.Duty ratio = 1/16, Pulse width = 0.1ms

Electrical Characteristics

Characteristic	Symbol	Test Condition	Min.	Typ.	Max.	Unit	
Forward Voltage	V_F	$I_F= 20mA$	Red	-	2.0	2.7	V
			Y-Green	-	2.2	2.8	
Luminous Intensity	I_V	$I_F= 20mA$	Red	-	6	-	mcd
			Y-Green	-	8	-	
Peak Wavelength	λ_P	$I_F= 20mA$	Red	-	630	-	nm
			Y-Green	-	570	-	
Spectrum Bandwidth		$I_F= 20mA$	Red	-	35	-	nm
			Y-Green	-	30	-	
Reverse Current	I_R	$V_R=4V$	-	-	10	uA	

Characteristic Diagrams

Fig. 1 $I_F - V_F$

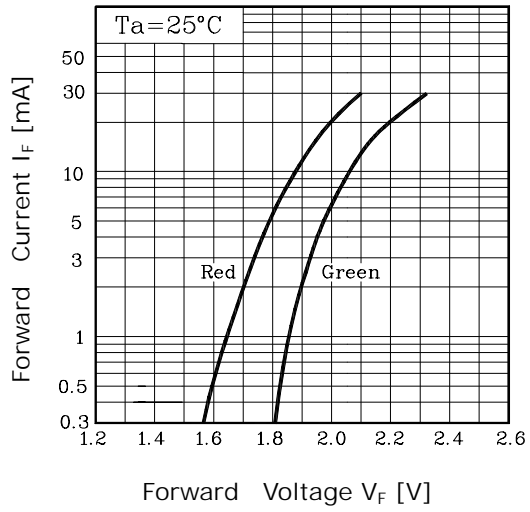


Fig. 2 $I_V - I_F$

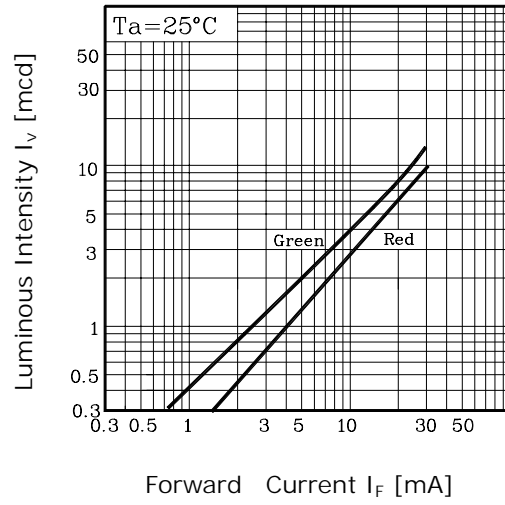


Fig. 3 $I_F - T_a$

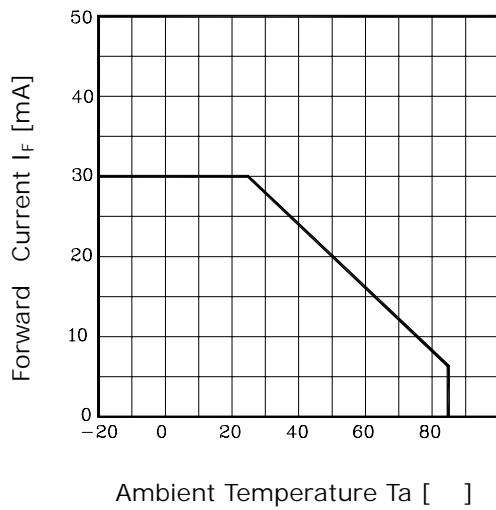


Fig.4 Spectrum Distribution

